

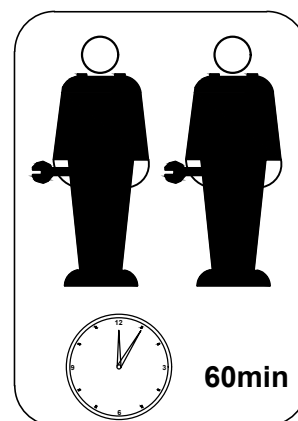
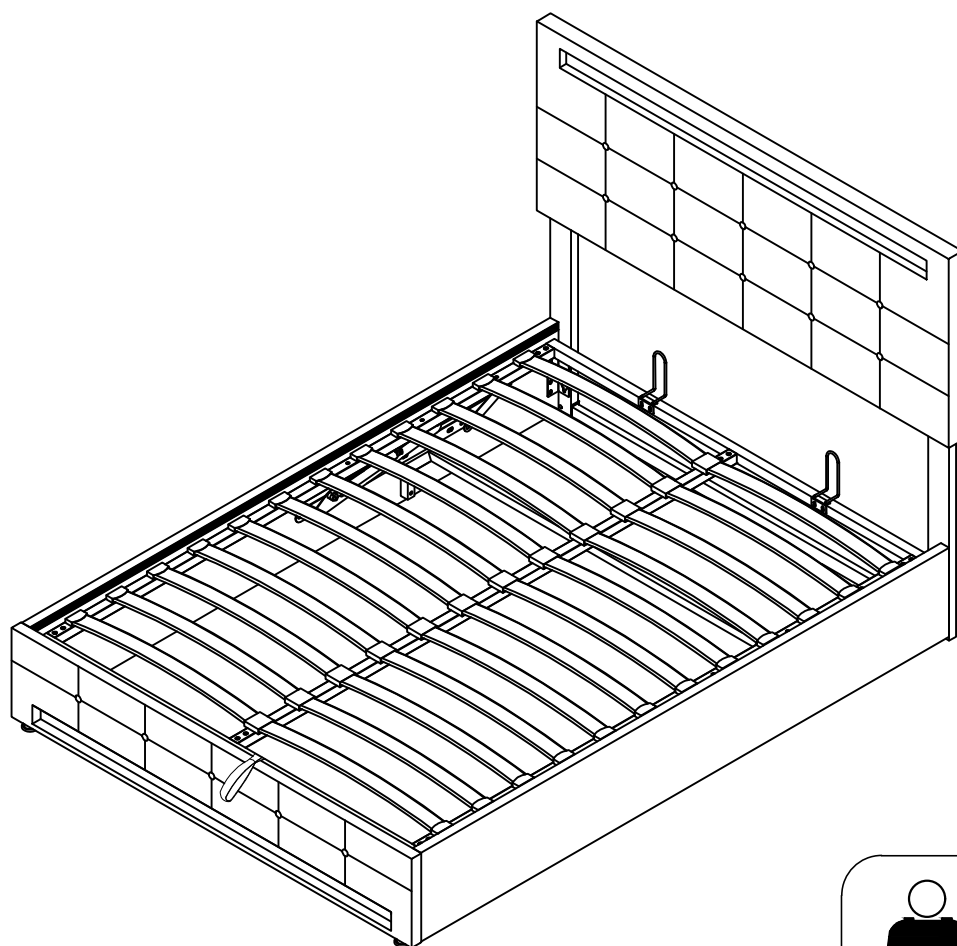
ASSEMBLY INSTRUCTIONS

Item Number WF531359

WF531360

This set comes in 2 boxes. If you do not receive a full 2 boxes, please contact our customer service.

Upholstered bed-135*190CM



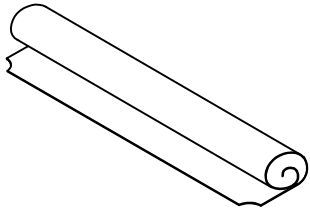
INSTRUCTIONS

IMPORTANT-READ CAREFULLY-RETAIN FOR FUTURE REFERENCE

- a) WARNING** -Children can become trapped between the bed and the wall, the adjoining pieces of furniture (e.g. cupboards) and the lke. To avoid risk of serious injury the distance between the safety barrier and the adjoining structure shall not exceed 75 mm or shall be more than 230 mm.
- b) WARNING**-Do not use the bed if any structural part is broken or missing; Replacement parts are between requested from the manufacturer or the store.
- c) WARNING**-Do not climb or wiggle on any non-designated structures.
- d)** it is imperative to always follow the installation instructions and manufacturer's use.
- e)** The recommended size of the mattress to be used with the bed is 135cmx190cm,maximum thickness mattress:25cm.
- f)** It is necessary to ventilate the room in order to maintain a low level moisture and prevent mold growth in the bed and its periphery.
- g)** Joining devices should always be tightened properly and regularly verified. Tighten if necessary.

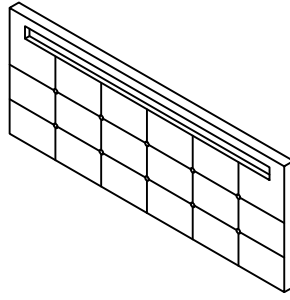
Part list WF531359

Aa



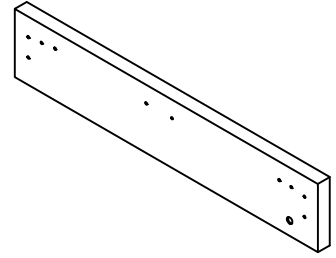
Non-woven Fabric-1PC

Ab



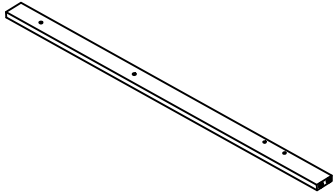
Headboard-1PC

B



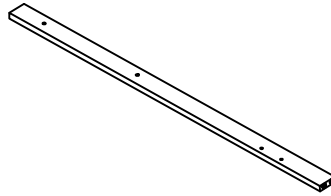
Footboard-1PC

C1



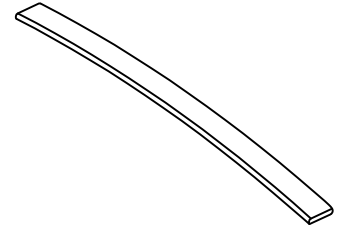
Leg Headboard (L)-1PC

C2



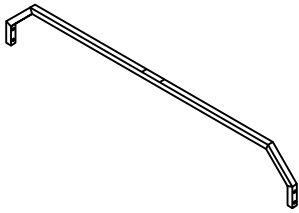
Leg Headboard (R)-1PC

E



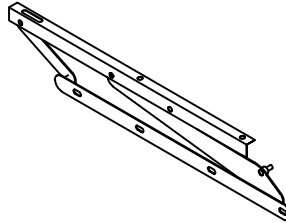
Slat-24PCS

Ha



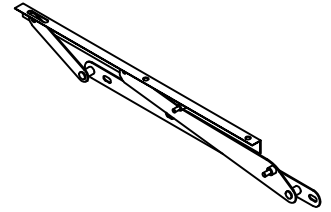
Bar Rail-1PC

H1



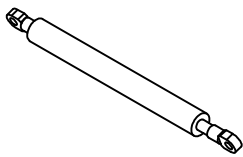
Hydraulic (L)-1PC

H2



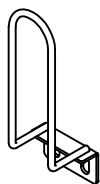
Hydraulic (R)-1PC

N1



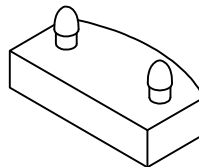
Hydraulic Bar-2PCS

N



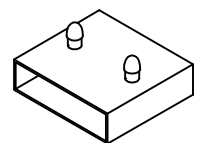
Block Bar-2PCS

O



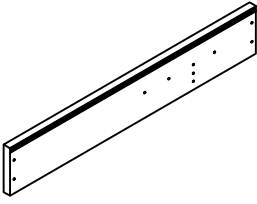
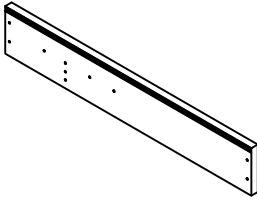
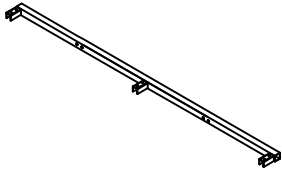
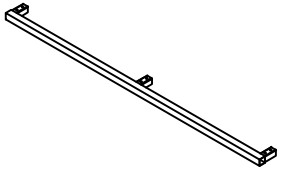
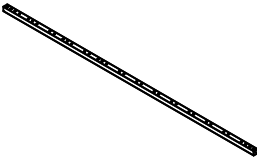
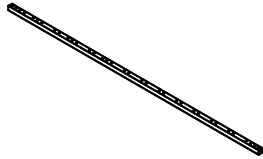
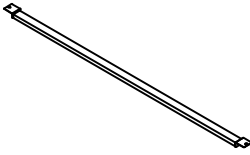
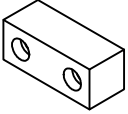
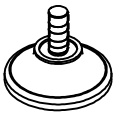
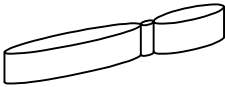
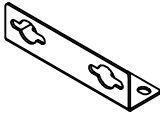
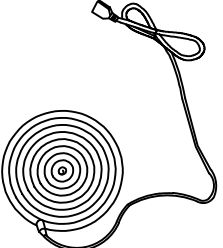
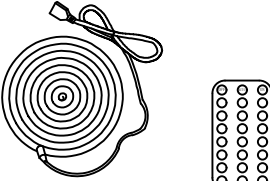
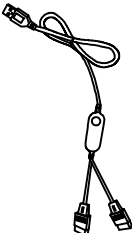
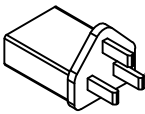
Plastic caps (Single)-24PCS

P

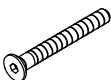






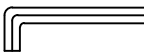
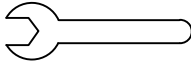


Plastic caps (Double)-12PCS

Part list WF531360

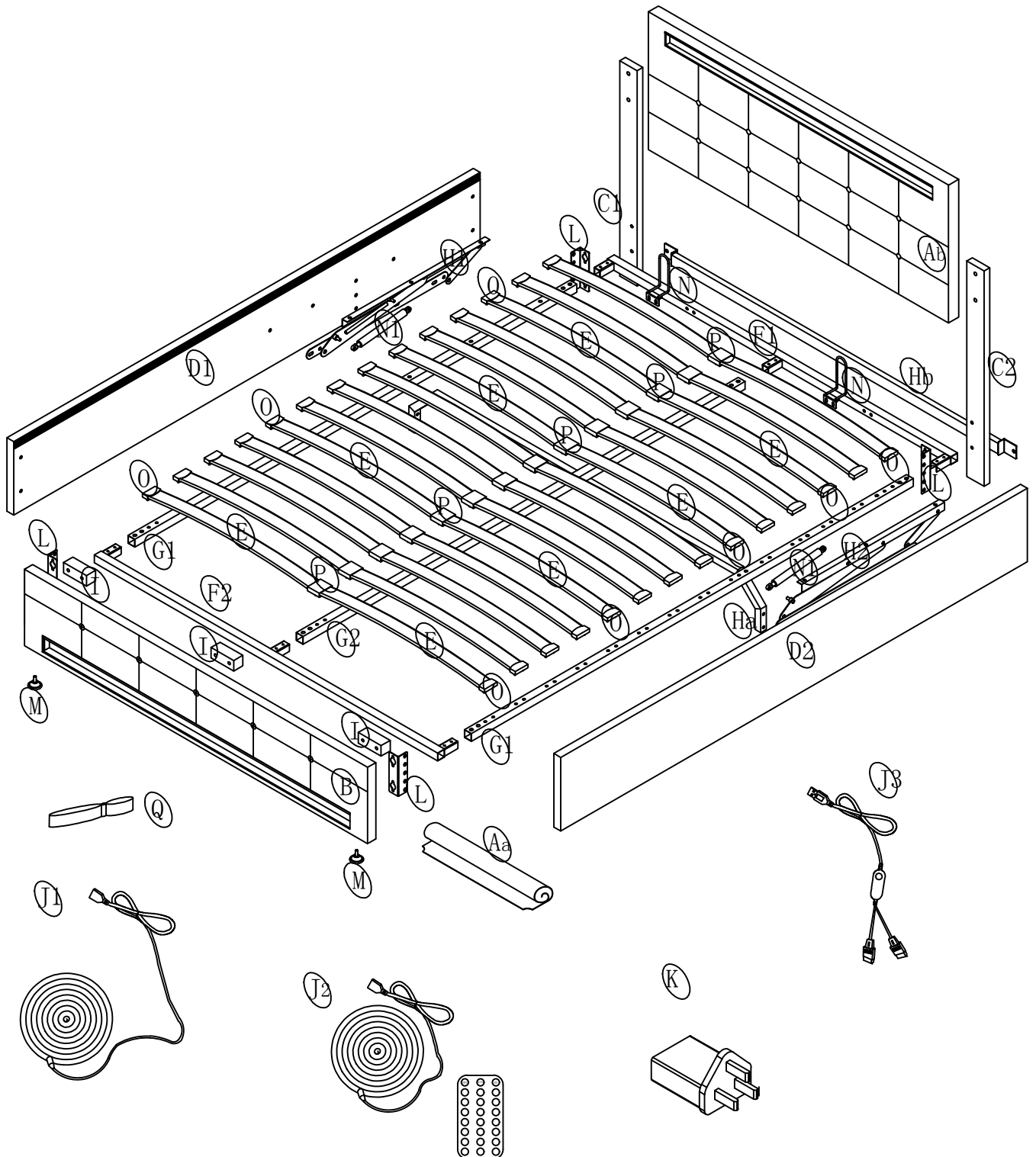
| | | | |
|---|---|---|---|
| <p>D1</p>  <p>Facing customer Side Rail(L)-1PC</p> | <p>D2</p>  <p>Facing customer Side Rail(R)-1PC</p> | <p>F1</p>  <p>connect HB Front Rail-1PC</p> | <p>F2</p>  <p>connect FB Back Rail-1PC</p> |
| <p>G1</p>  <p>Side tube-2PCS</p> | <p>G2</p>  <p>Middle Rail-1PC</p> | <p>Hb</p>  <p>Bottom Rail-1PC</p> | <p>I</p>  <p>Plastic Block-3PCS</p> |
| <p>M</p>  <p>Legs-2PCS</p> | <p>Q</p>  <p>Straps-1PC</p> | <p>L</p>  <p>Indices "L"-4PCS</p> | <p>J1</p>  <p>FB light-1PC</p> |
| <p>J2</p>  <p>HB light-1PC</p> | <p>J3</p>  <p>light connetor-1PC</p> | <p>K</p>  <p>Adapter-1PC</p> | |

Hardware list WF531360

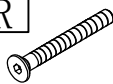

| | | | | |
|---|---|---|---|--|
| <p>R</p>  <p>M8*50mm 10PCS</p> | <p>S</p>  <p>M8*45mm 14PCS</p> | <p>T</p>  <p>M8*25mm 26PCS</p> | <p>U</p>  <p>M8*18mm 12PCS</p> | <p>V</p>  <p>M8 14PCS</p> |
| <p>W</p>  <p>ø17*ø8.5 6PCS</p> | <p>X</p>  <p>ø22*ø8.5 4PCS</p> | <p>Y</p>  <p>M8 1PC</p> | <p>Z</p>  <p>M8 1PC</p> | |

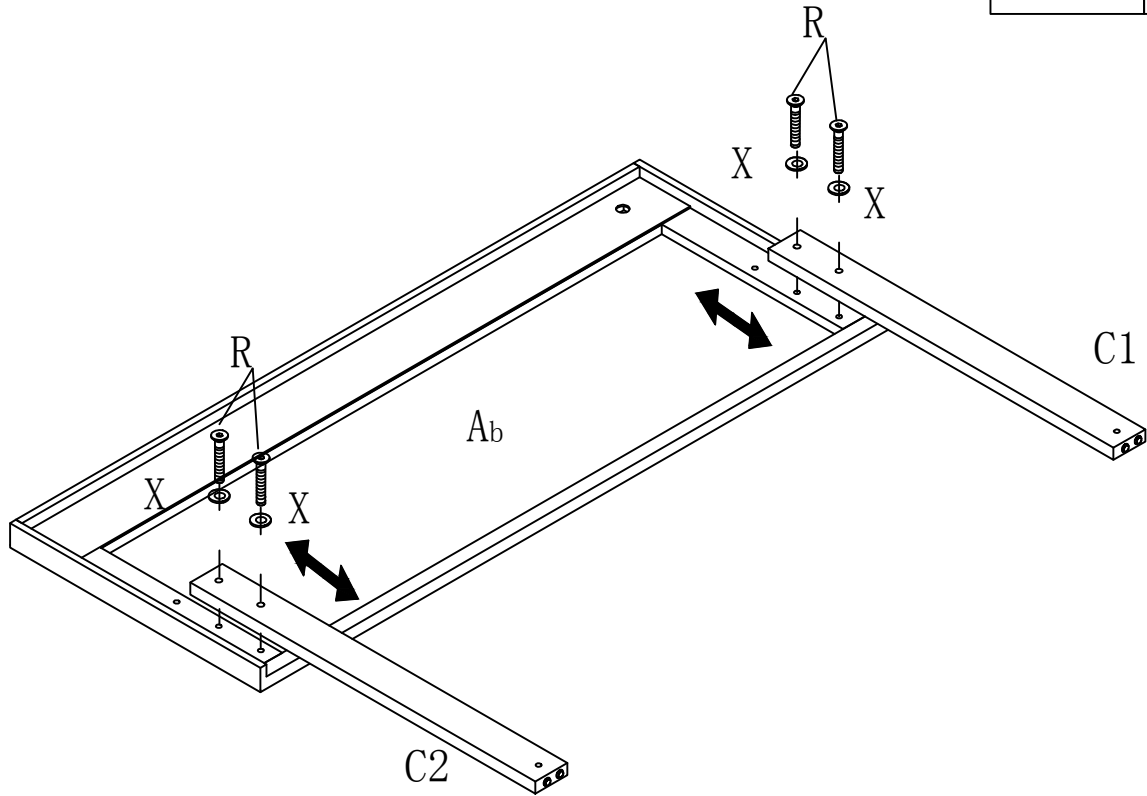
Detail View

NOTE: Please do not completely tighten all the hardware until the entire assembly is complete!



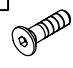
step1

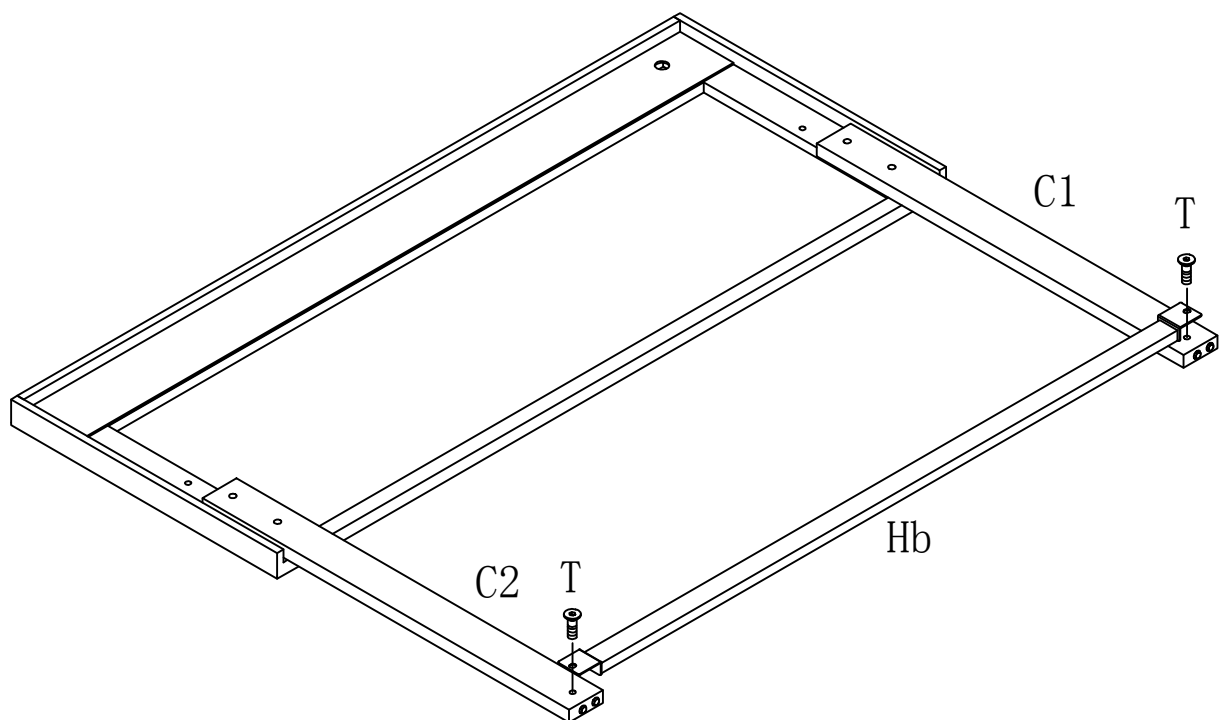
| | |
|--|--|
| R | X |
|  |  |
| 4PCS | 4PCS |




Headboard height is adjustable

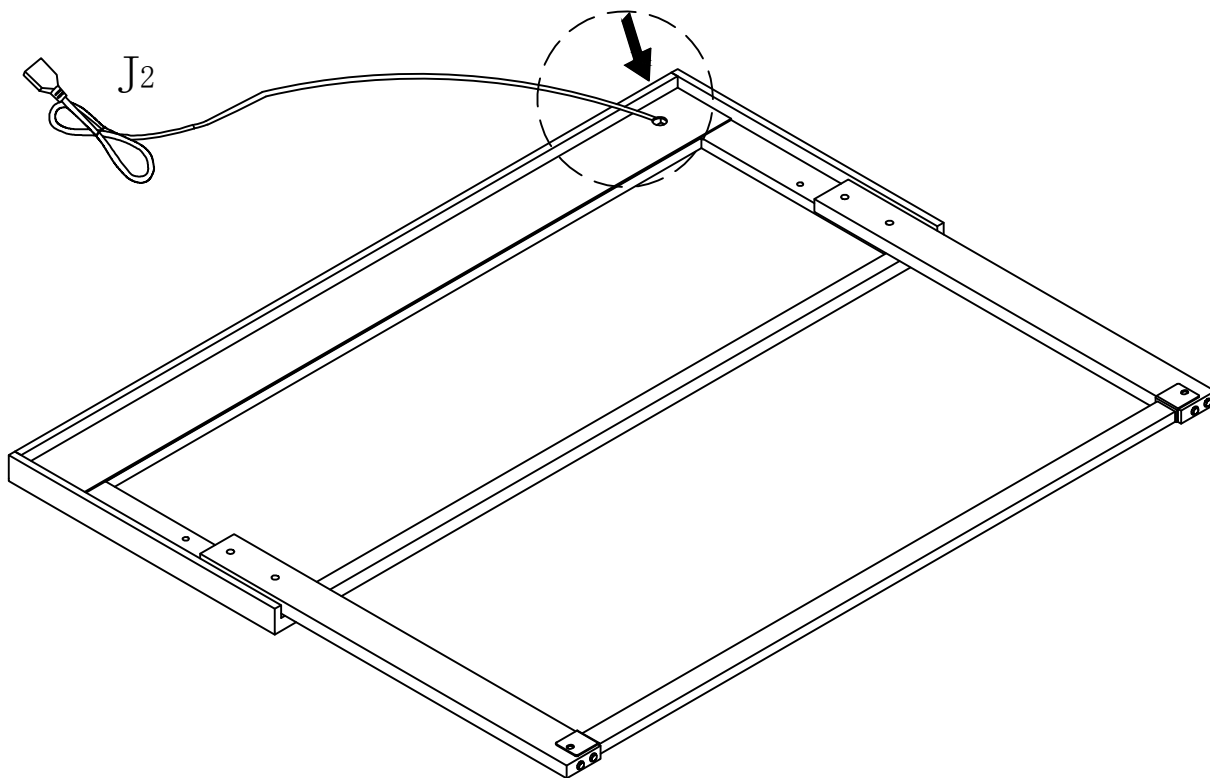
step2

| |
|---|
| T |
|  |
| 2PCS |

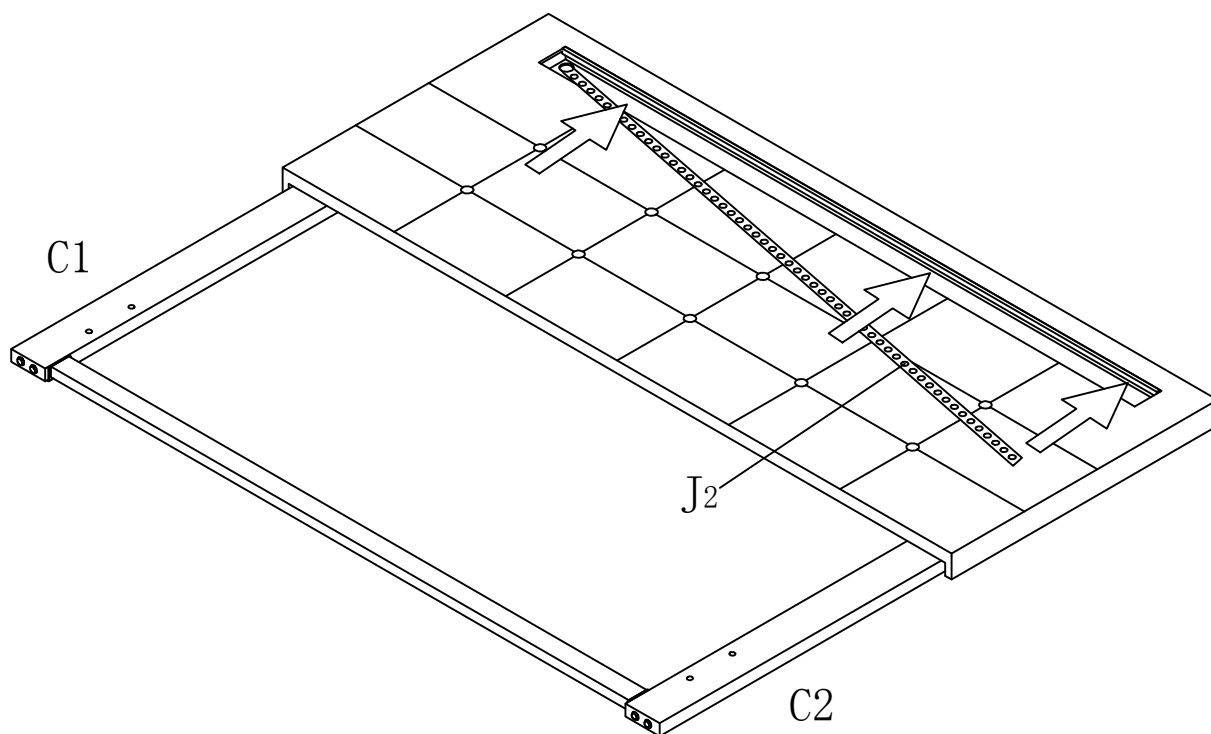


step3

J2 
1PC



step4

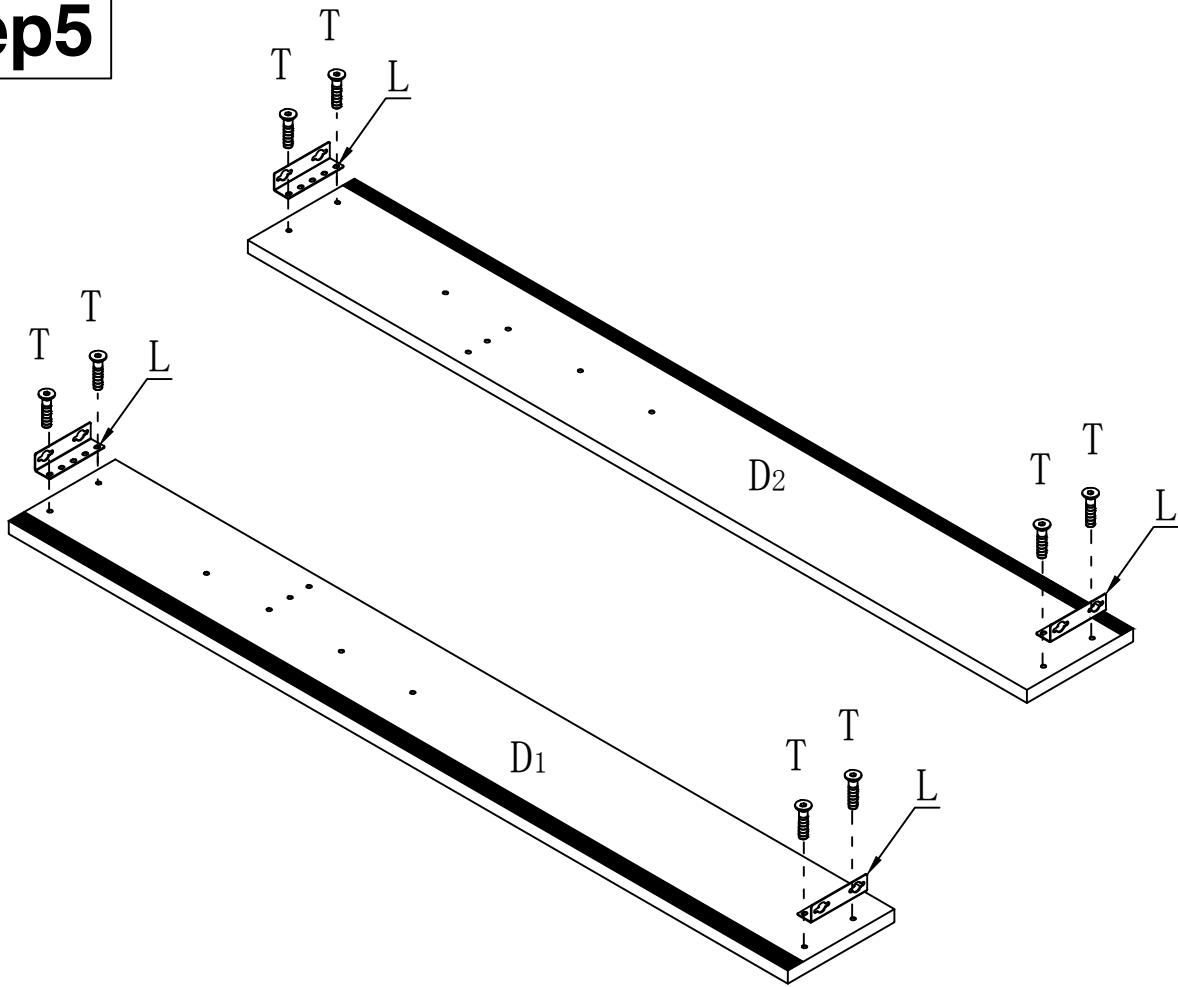


step5

T



8PCS

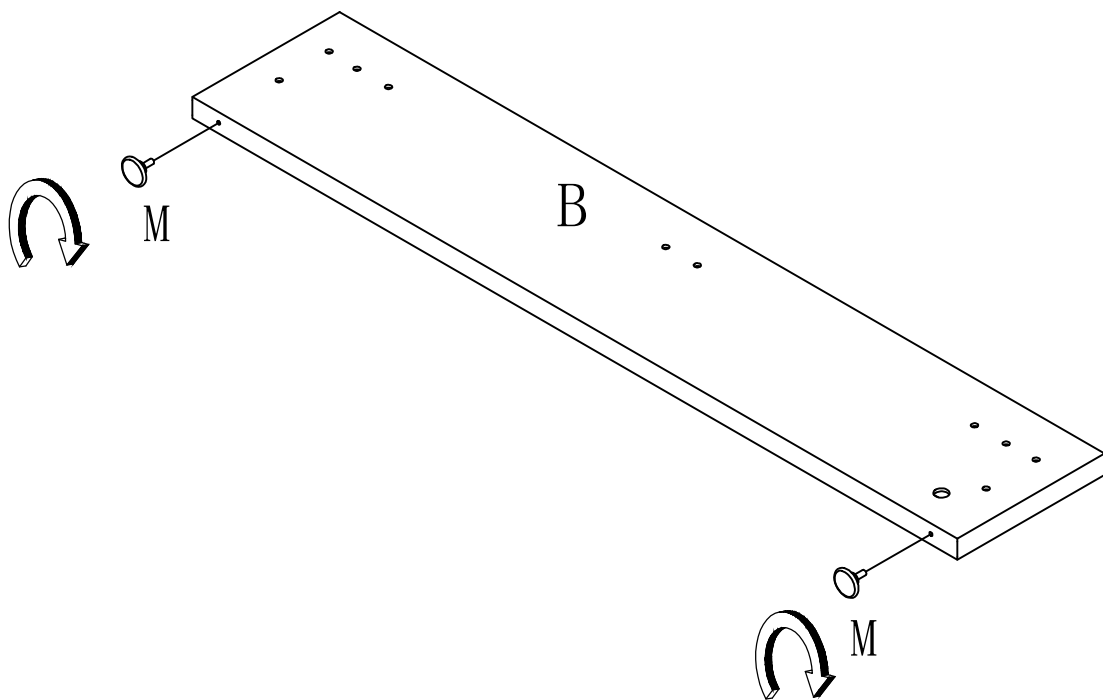


step6


M

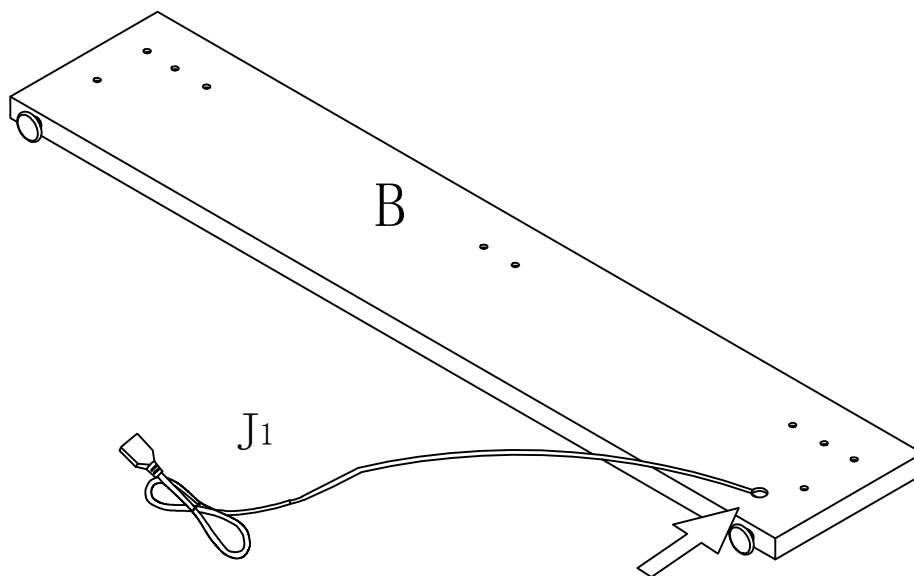


2PCS

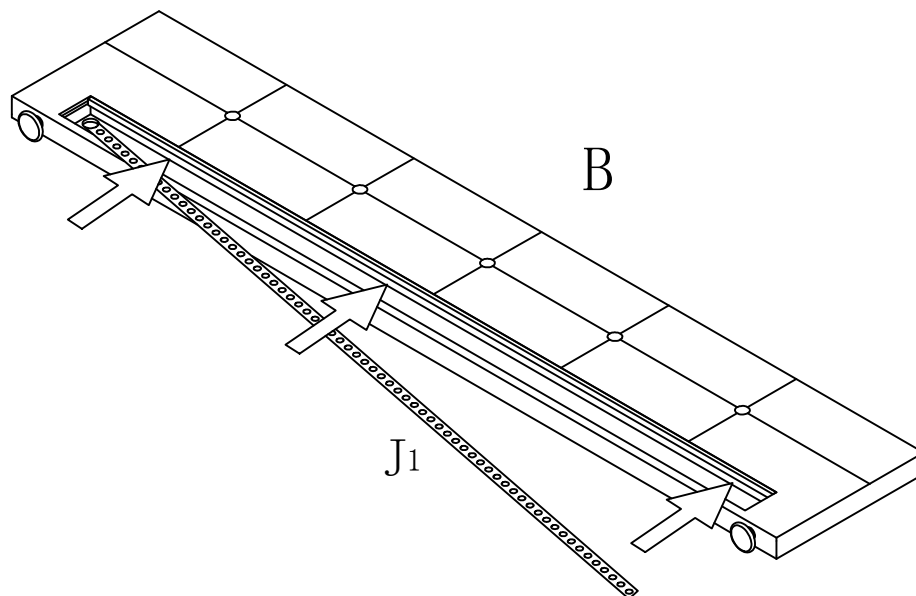


step7

J1 
1PC



step8

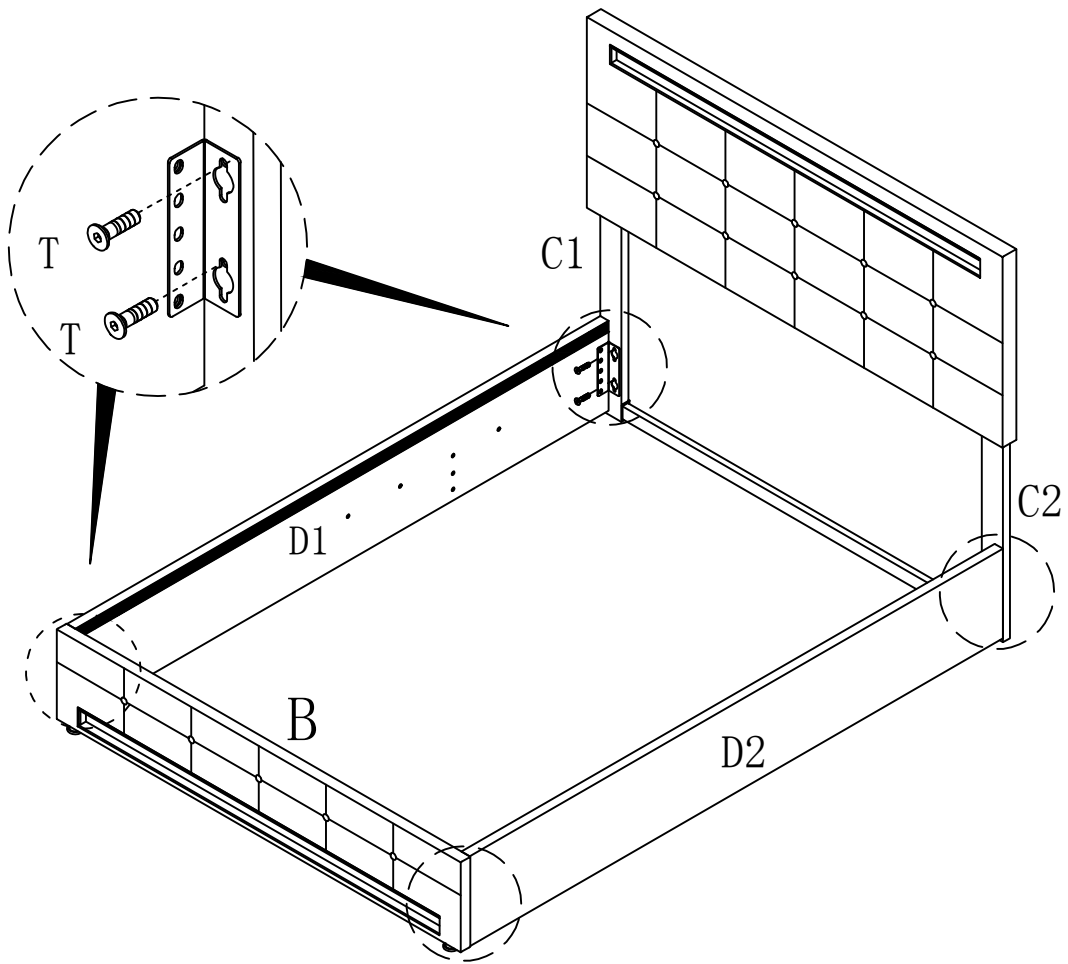


step9

T



8PCS



step10

R

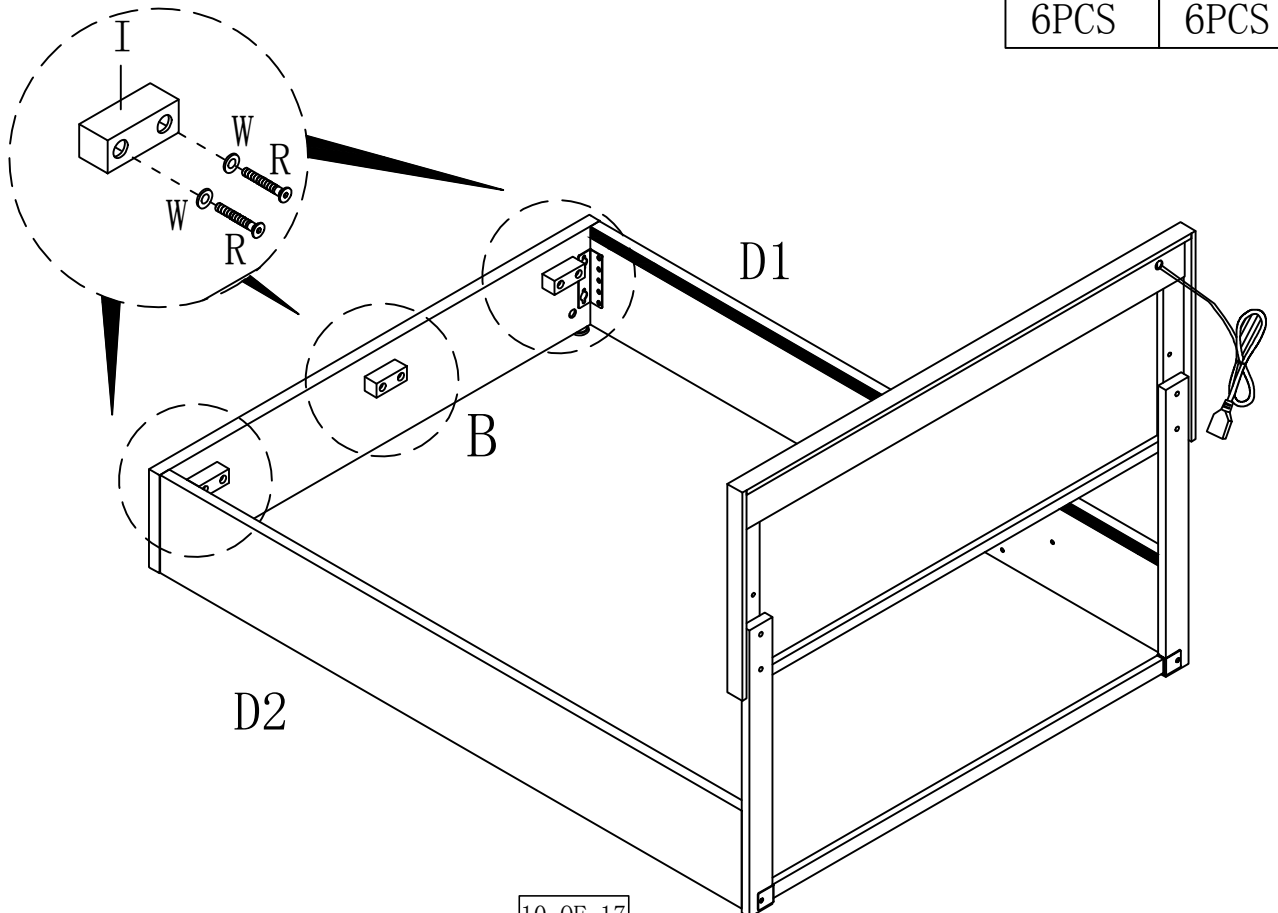


6PCS

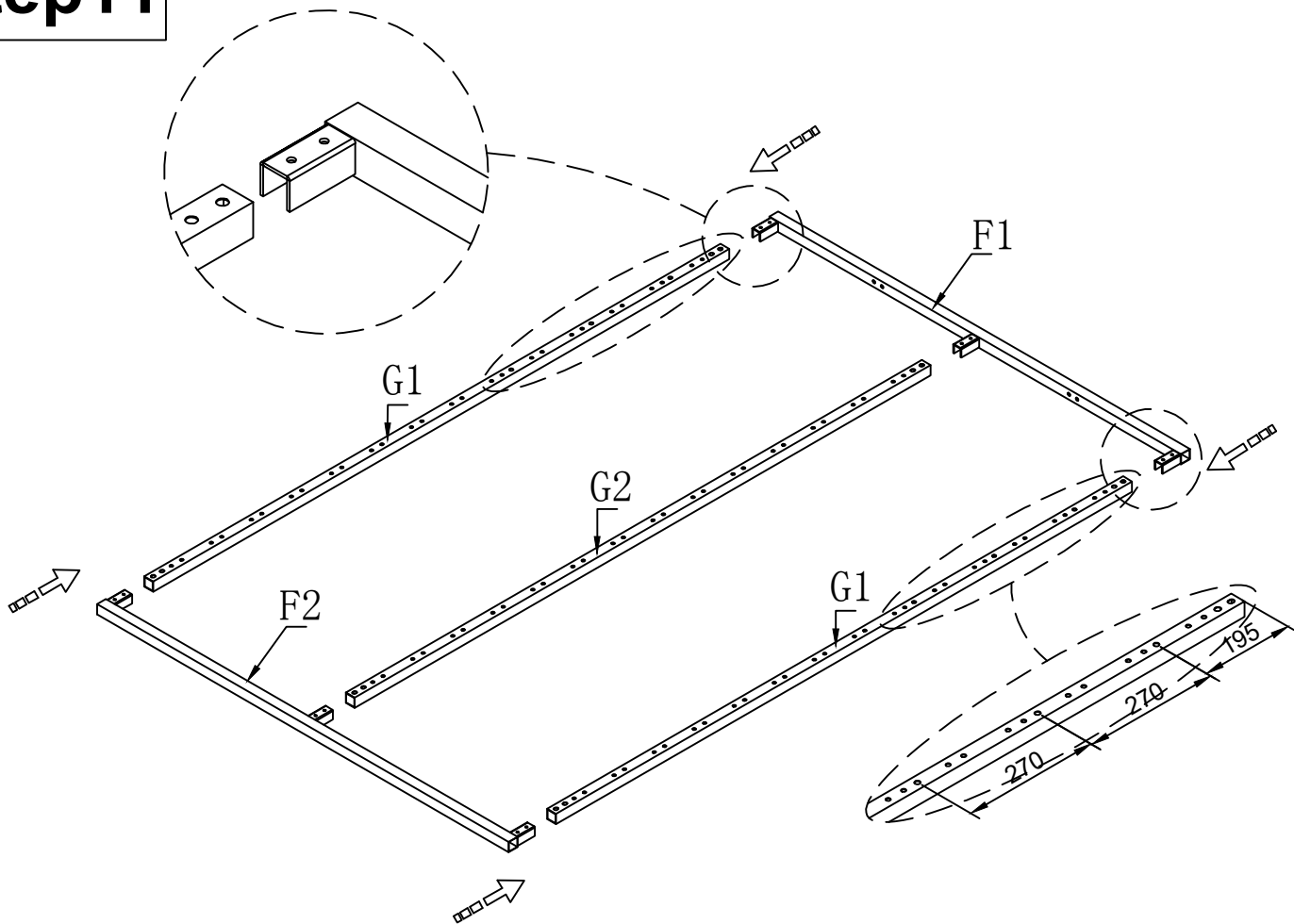
W



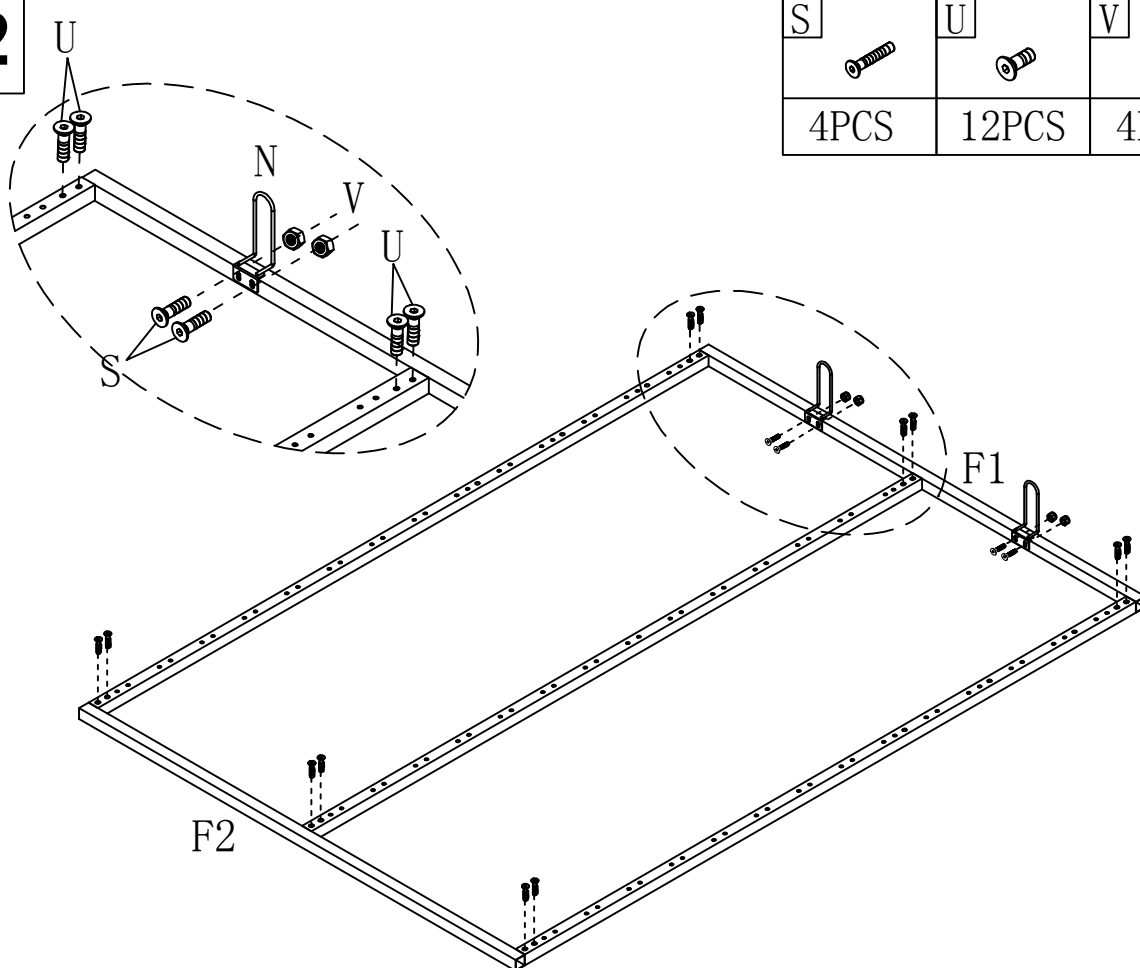
6PCS






step11



step12



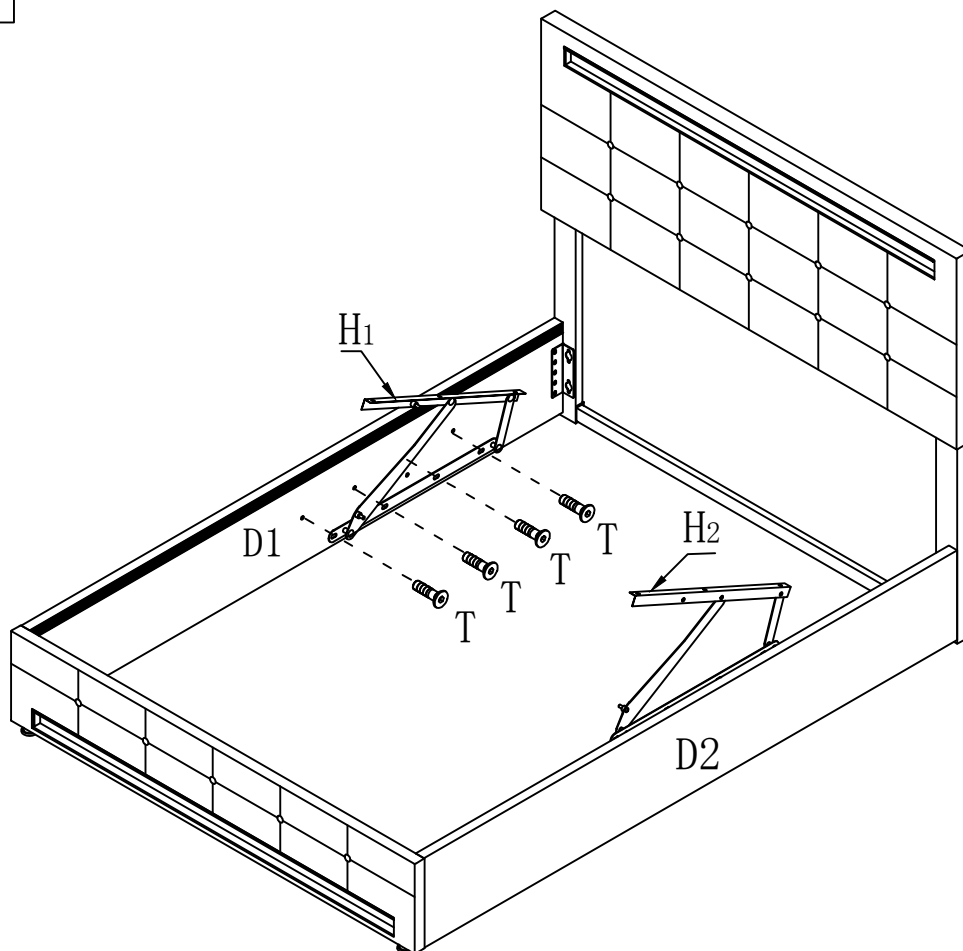
| S | U | V |
|---|---|---|
|  |  |  |
| 4PCS | 12PCS | 4PCS |

step13

T



8PCS

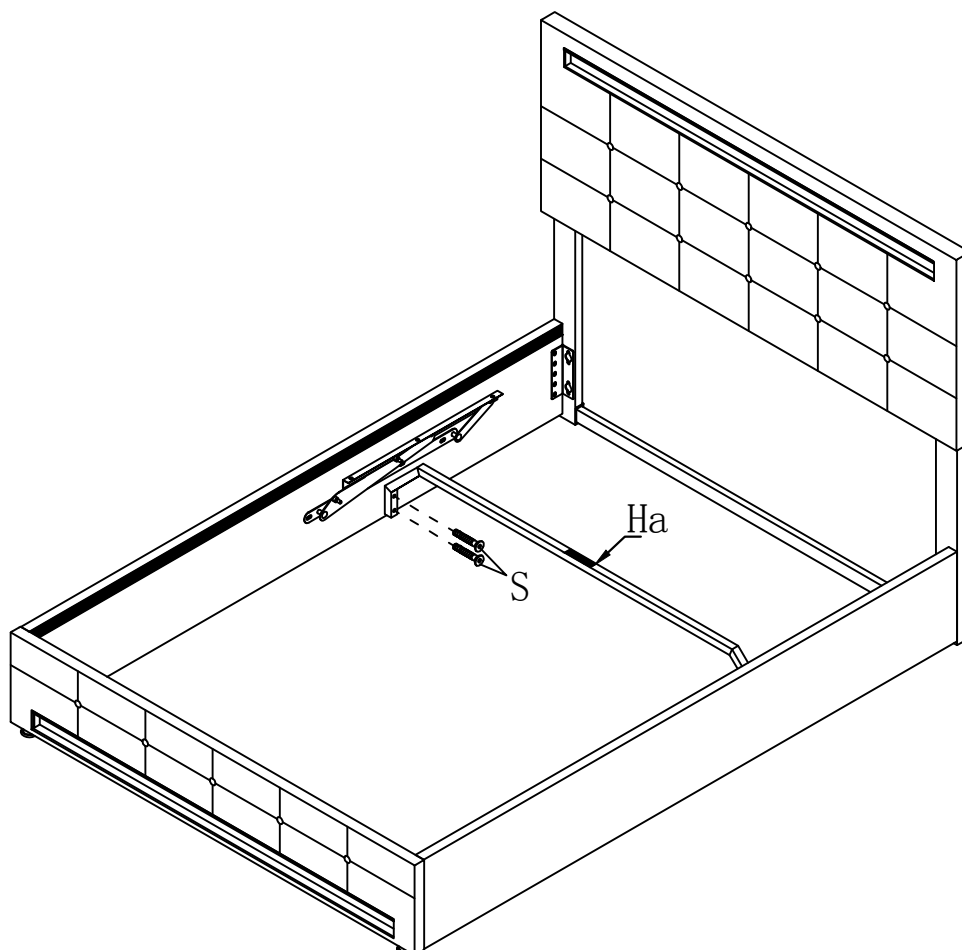


step14



S

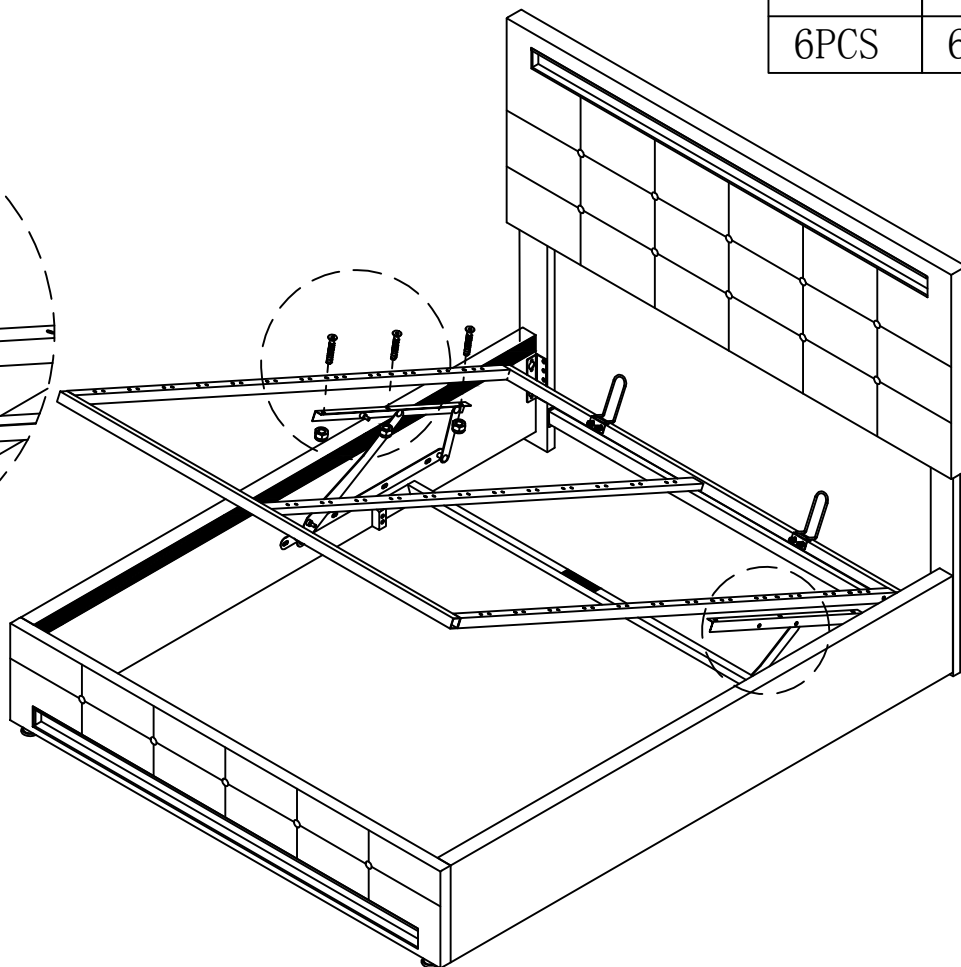
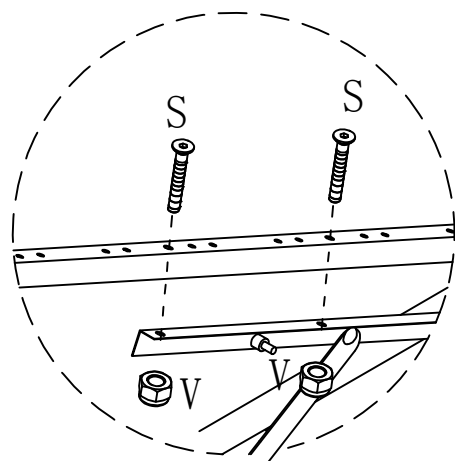


4PCS





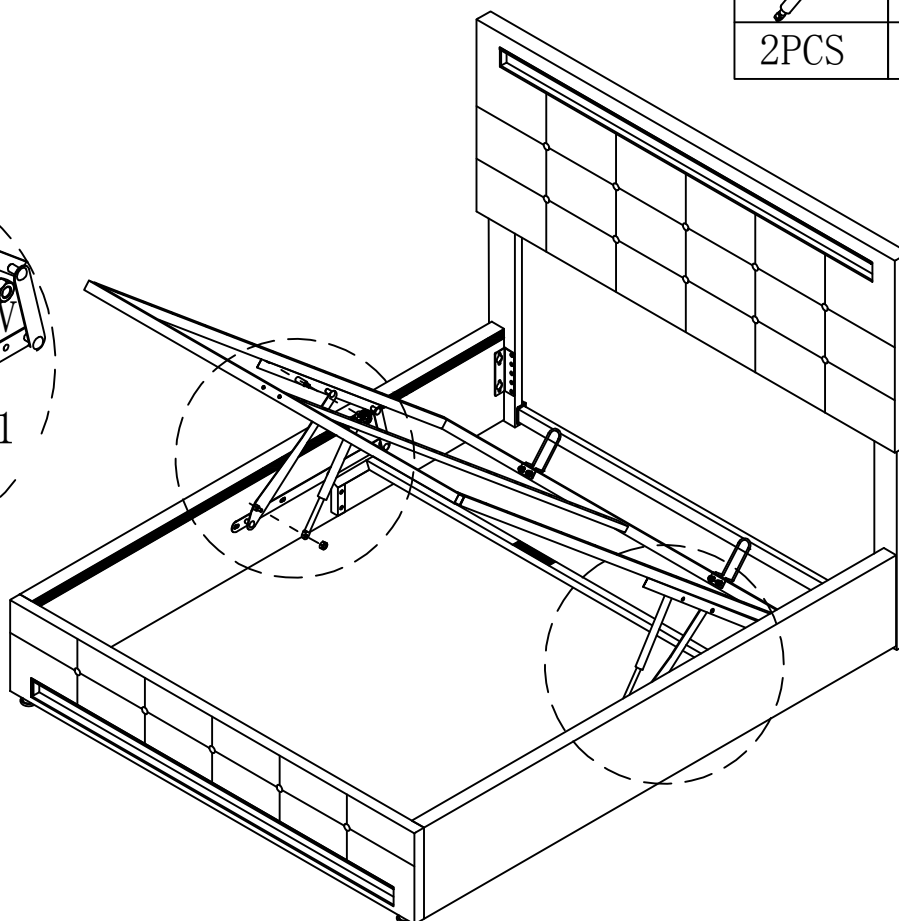
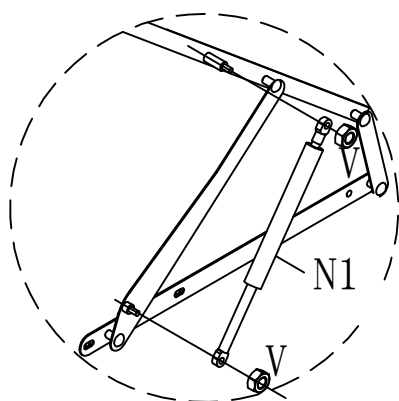
step15

| | |
|--|---|
| S | V |
|  |  |
| 6PCS | 6PCS |

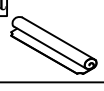


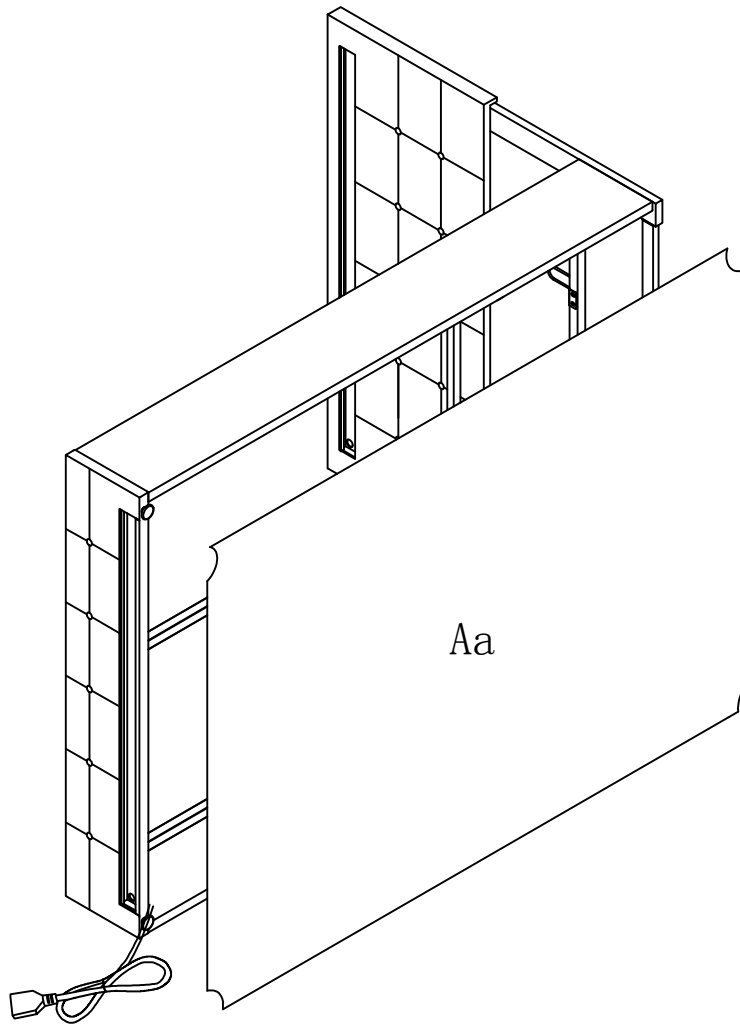
step16

| | |
|---|---|
| N1 | V |
|  |  |
| 2PCS | 4PCS |

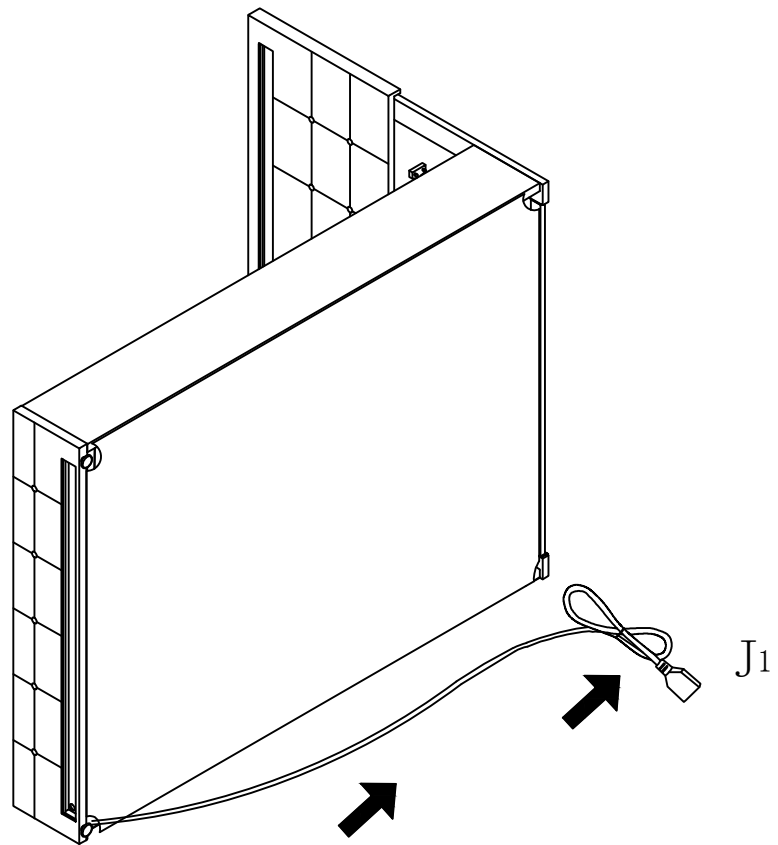


step17

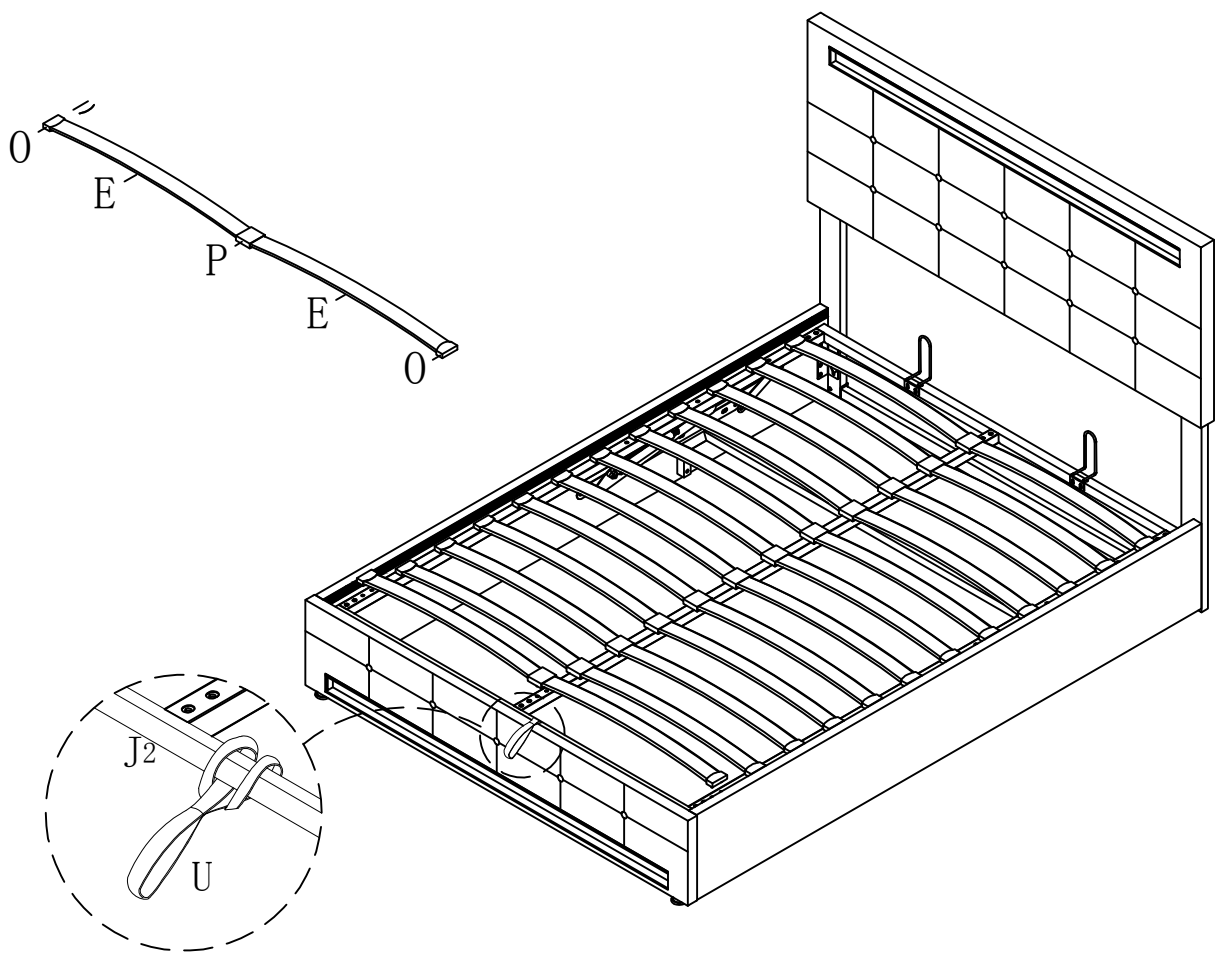
Aa

1PC



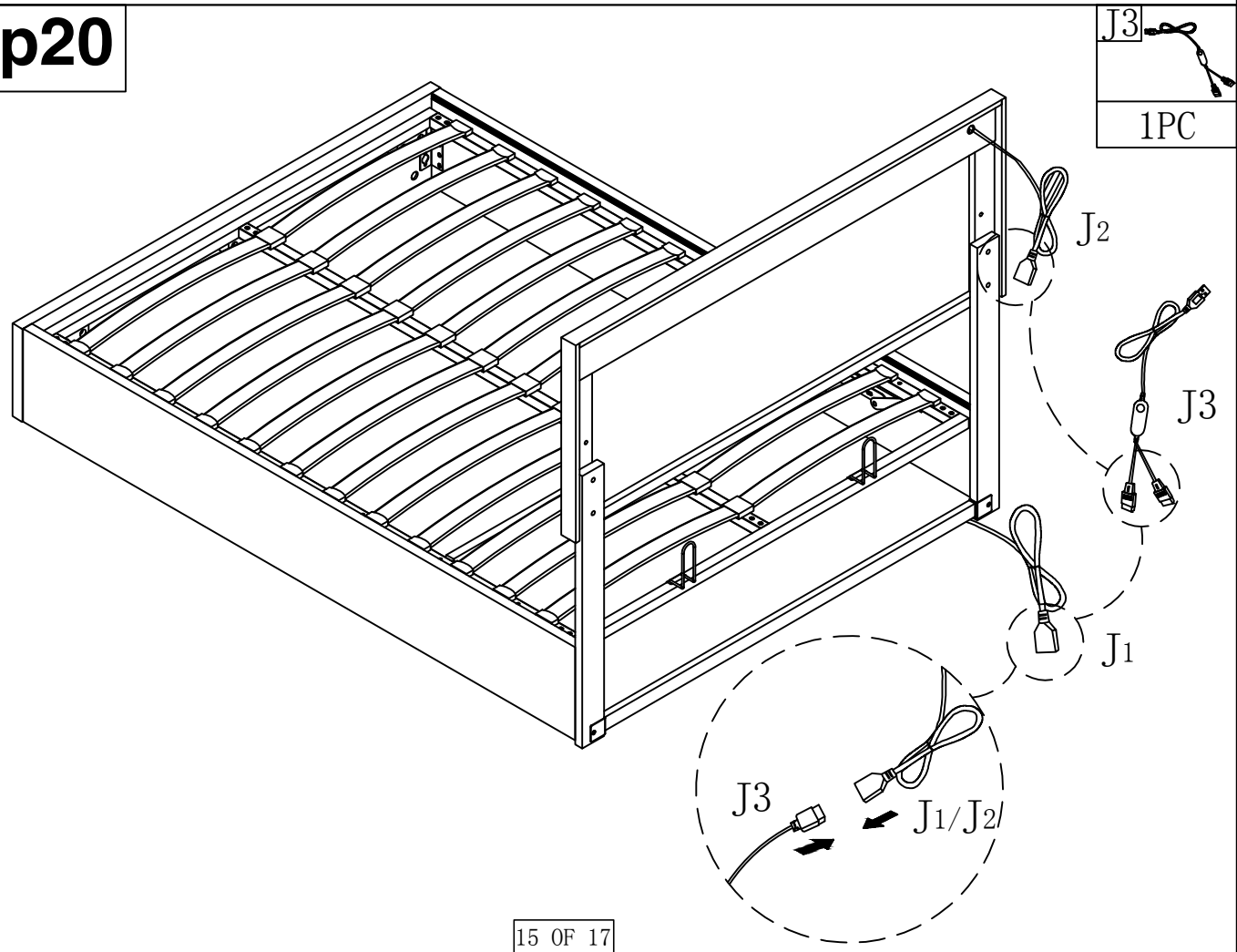
step18



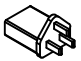
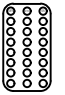
step19

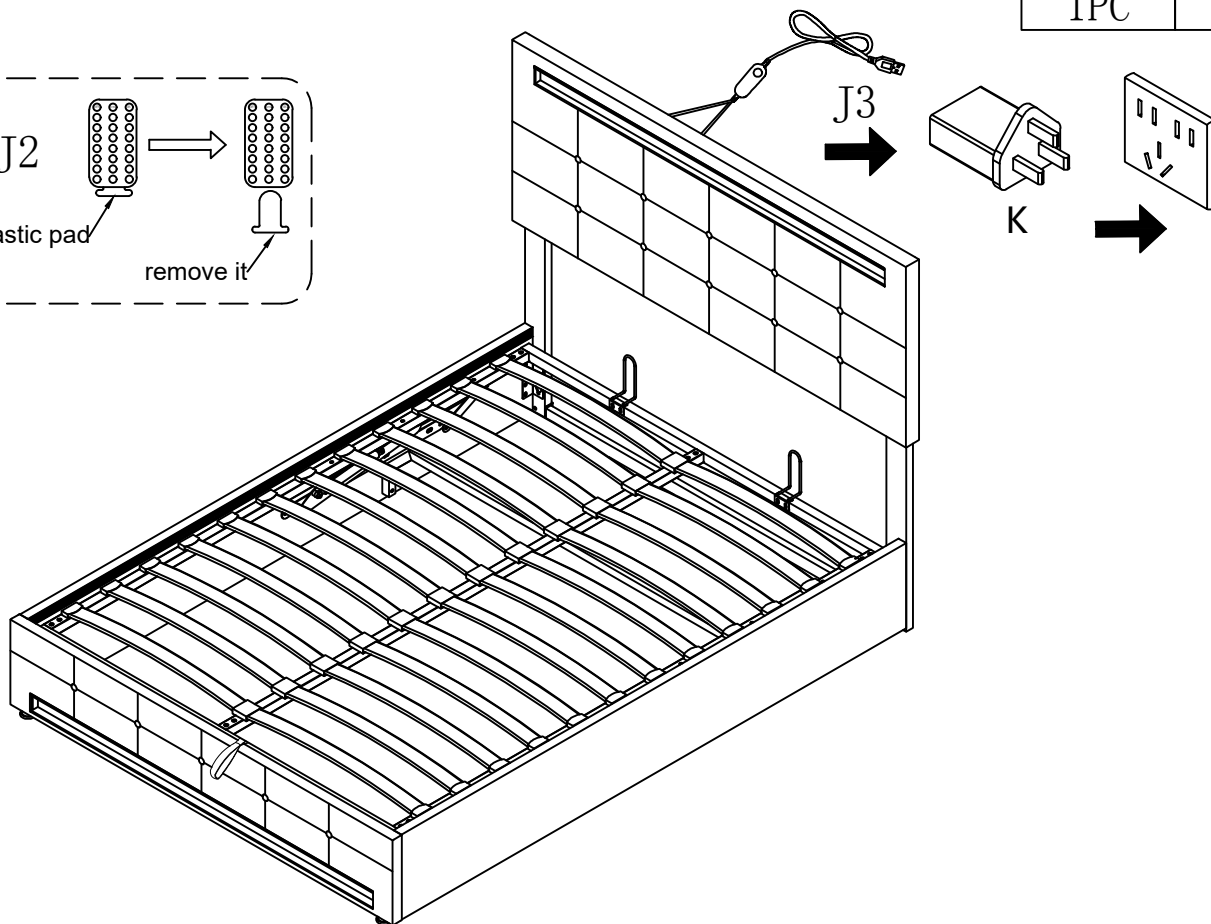
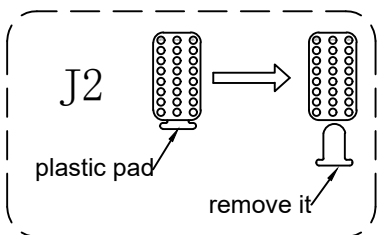


step20

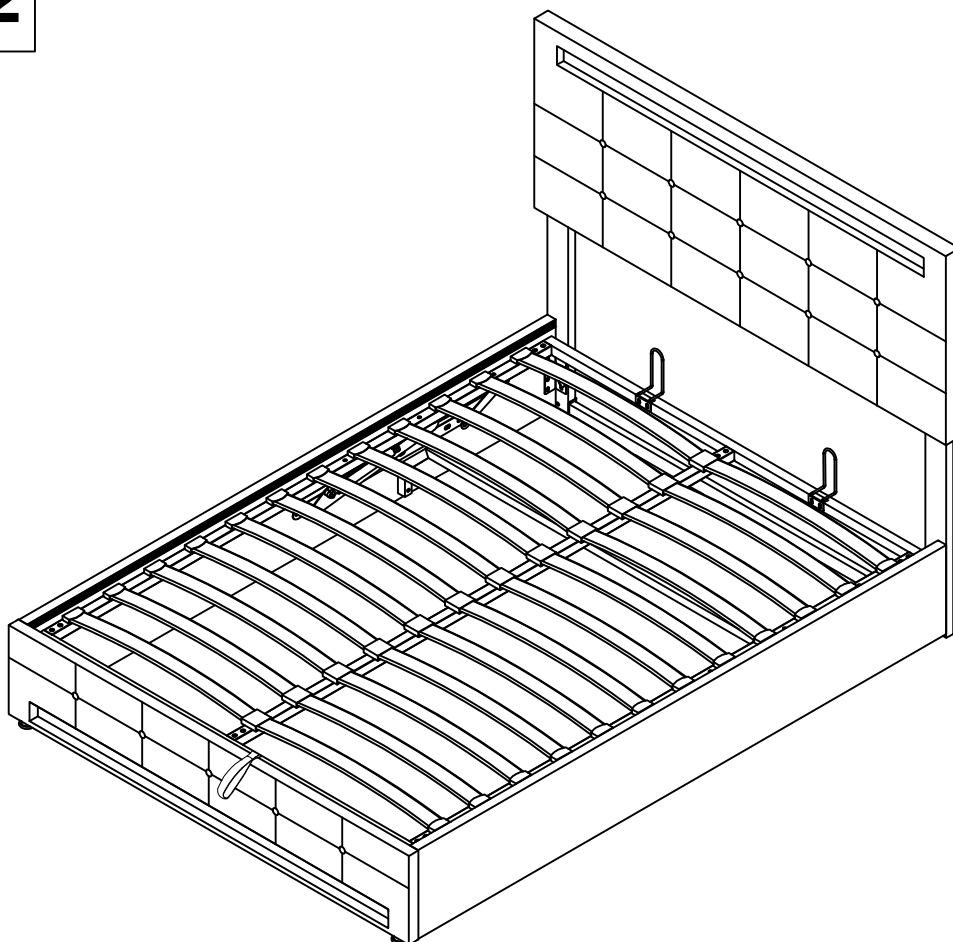


step21

| | |
|--|--|
| K | J2 |
|  |  |
| 1PC | 1PC |



step22



IMPORTANT NOTICE

OTTOMAN OPERATING INSTRUCTIONS

Once your bed frame is completely assembled, the slat unit will not operate correctly unless a mattress is placed on the slat frame. Position the mattress on the slat frame whilst it is in the closed position.

PLEASE NOTE It -takes a lot of force to make the initial movement of the ottoman. This is a design feature of the product so that it does not fall shut -the nearer to being closed the ottoman is, the easier it is to move. When the ottoman is almost shut, it will close completely under its own weight.

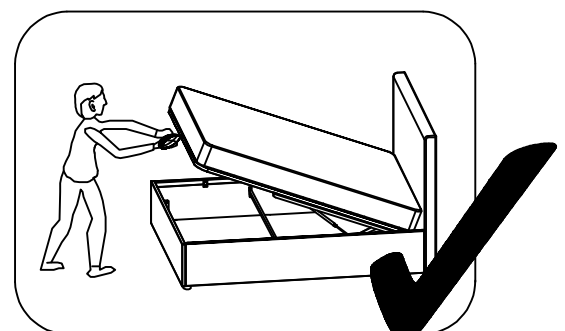
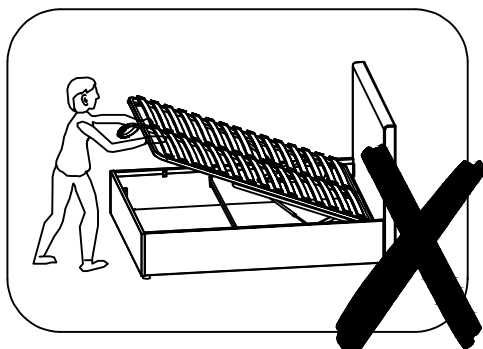
When lowering the slat unit for the first time, take care to make sure it does not rub unevenly on the inside face of the side rails. If it does, the bed has been assembled slightly out of square. This can be rectified by moving the foot end of the bed slightly to the left or right whilst leaving the head end stationary.

PISTONS

The pistons used in the construction of this product are extremely strong and cannot be operated by hand when taken off the ottoman. All pistons are tested for correct pressure and operation before being attached to the slat unit. Initially it might appear that the pistons are very stiff when opening and closing the ottoman.

THIS IS PERFECTLY NORMAL

When fully assembled and the mattress is in position, please raise and lower the ottoman 4/5 times to ensure the gas piston are fully lubricated.





Attestation of Compliance

Reference No. : LCSB08093039E

Applicant : Shenzhen Pinchengxin Technology Co., Ltd

Address : 3rd floor, 8 building Yuanling industrial zone, No. 39 Yuanlingcun road, Shiyan street, Bao'an district, Shenzhen

Trade Mark : N/A

Product : LED Strip Light with Remote Control

Model(s) : 5050 RGB LED Strip Lights

Tested according to : EN IEC 55015:2019+A11:2020
EN 61547:2009

The submitted products have been tested by us with the listed standards.

This Attestation of Compliance is issued according to the council Directive 2014/30/EU, Referred to as the Electromagnetic Compatibility. It confirms that the listed product complies with all essential requirements of the EMC directive and applies only to the sample and its technical documentation submitted to Shenzhen Southern LCS Compliance Testing Laboratory Ltd. for testing.

After preparation of the necessary technical documentation as well as the EC conformity declaration the required CE marking can be affixed on the product. Other relevant Directives have to be observed.

CE

Date of issue: August 21, 2023

.....
Manager

