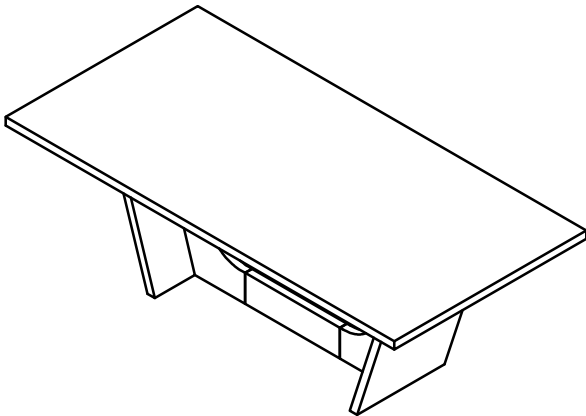


# ASSEMBLY INSTRUCTION

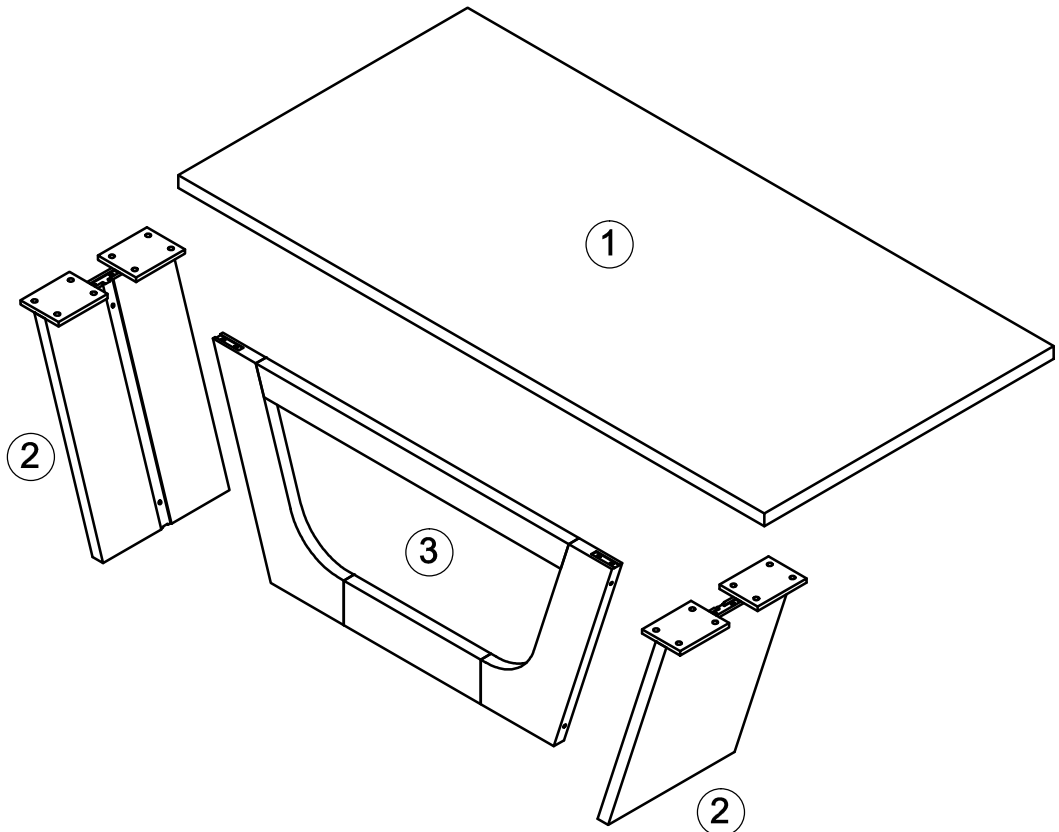
## DINING TABLE

*Thank you for purchasing this quality product. Be sure to check all packing material carefully for small parts which may have come loose inside the carton during shipment. Identify and count all parts and compare with the parts list below.*

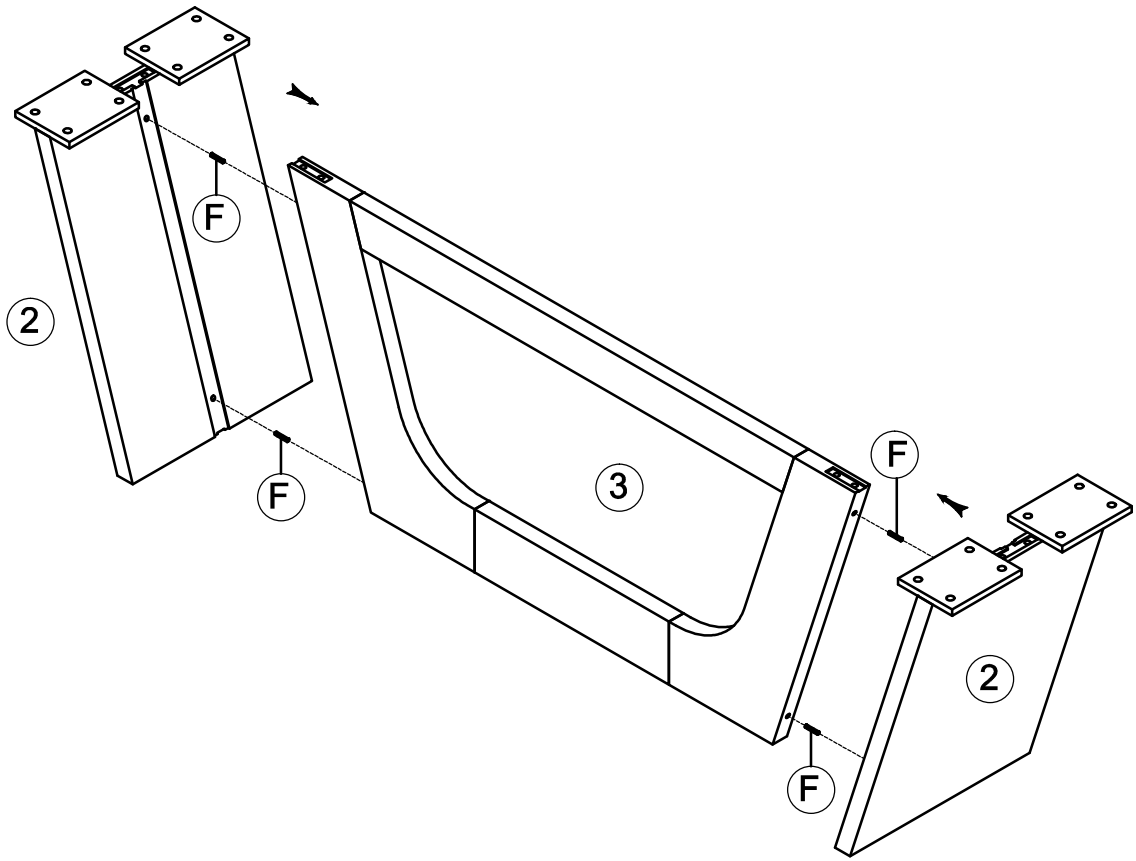


### HARDWARE LIST

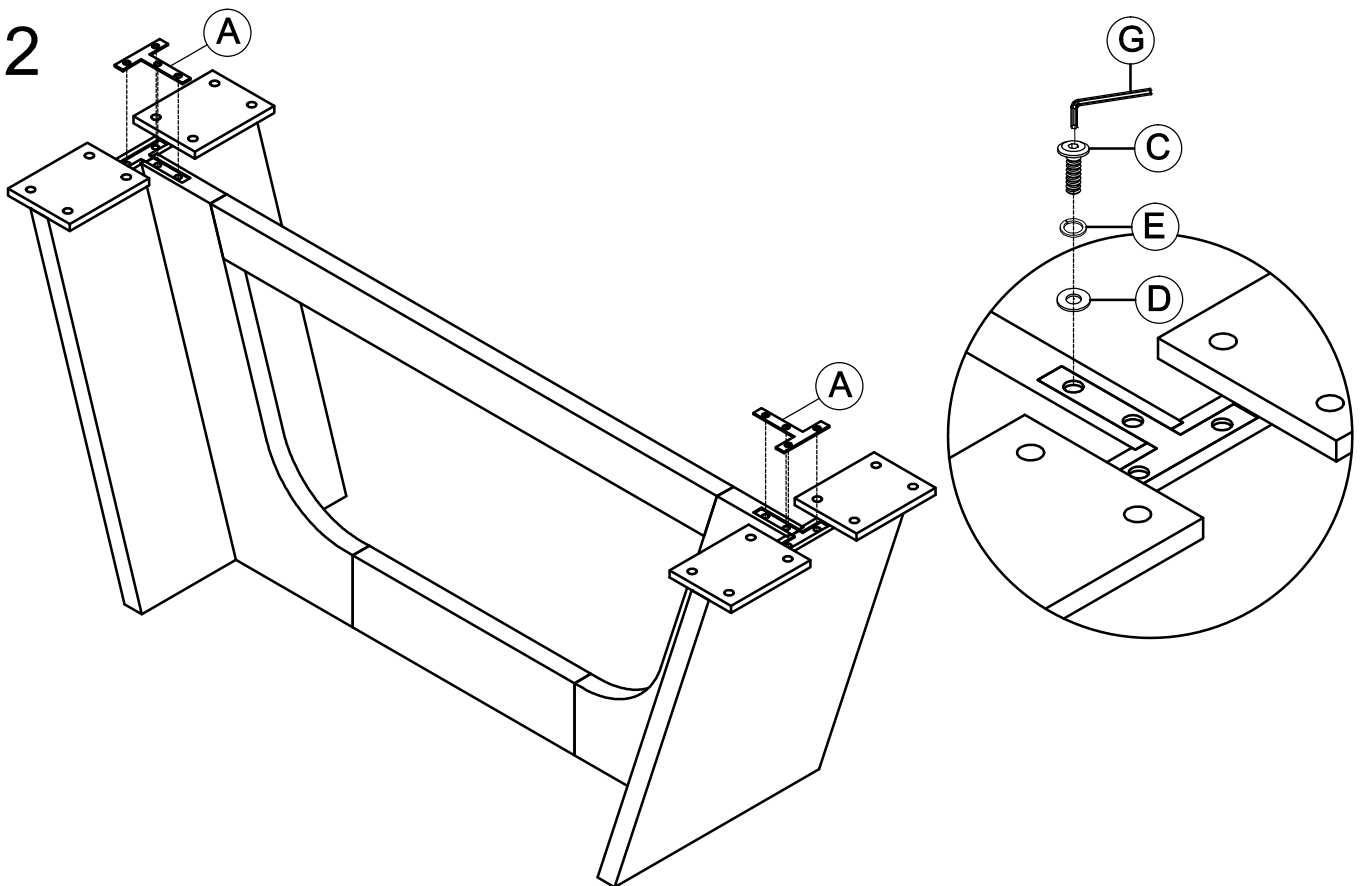
A		METAL PLATE	4
B		BOLT M8 x 35	16
C		BOLT M8 x 25	16
D		FLAT WASHER	32
E		SPRING WASHER	32
F		WOOD DOWEL	4
G		M4	1



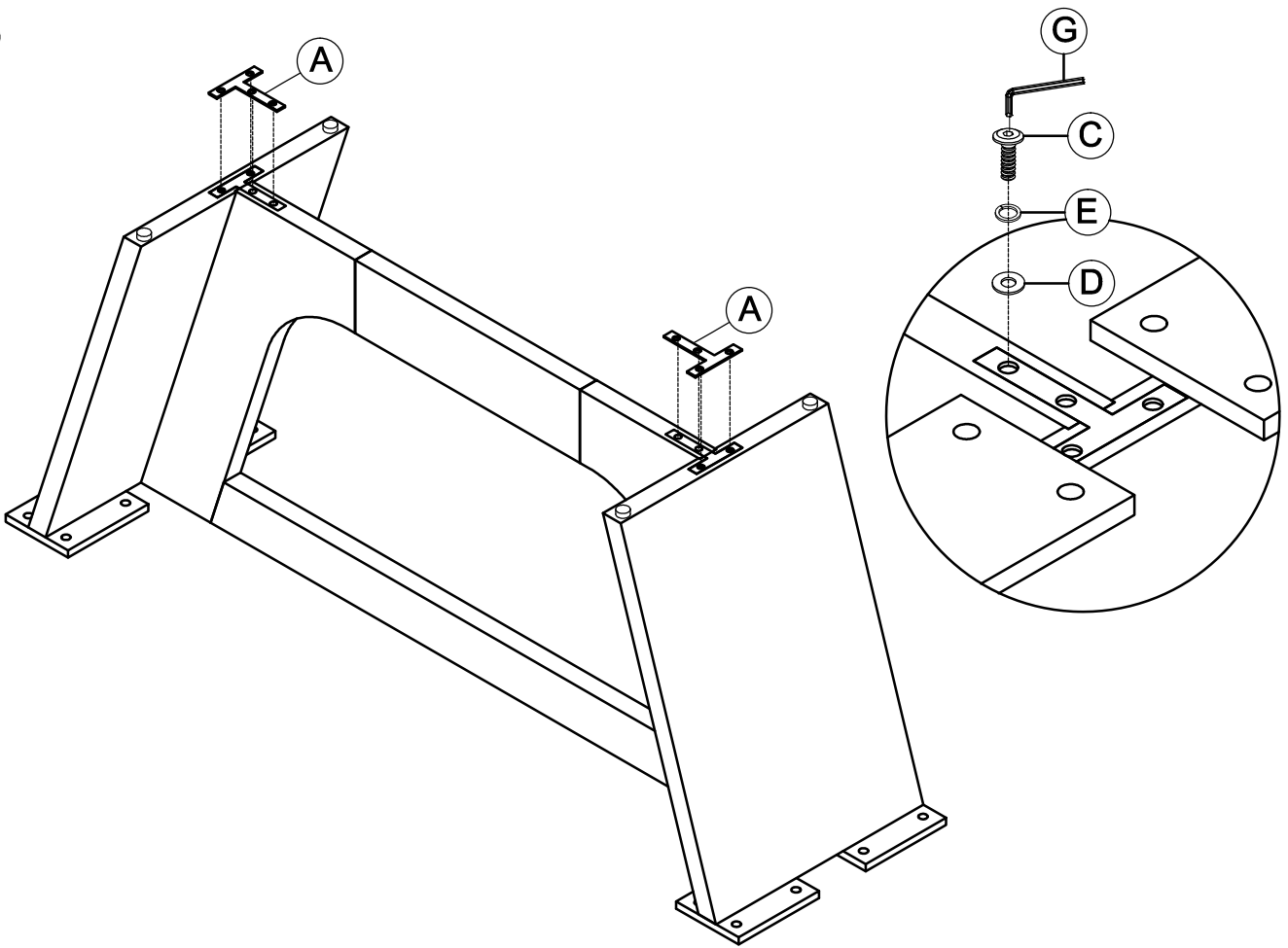
1



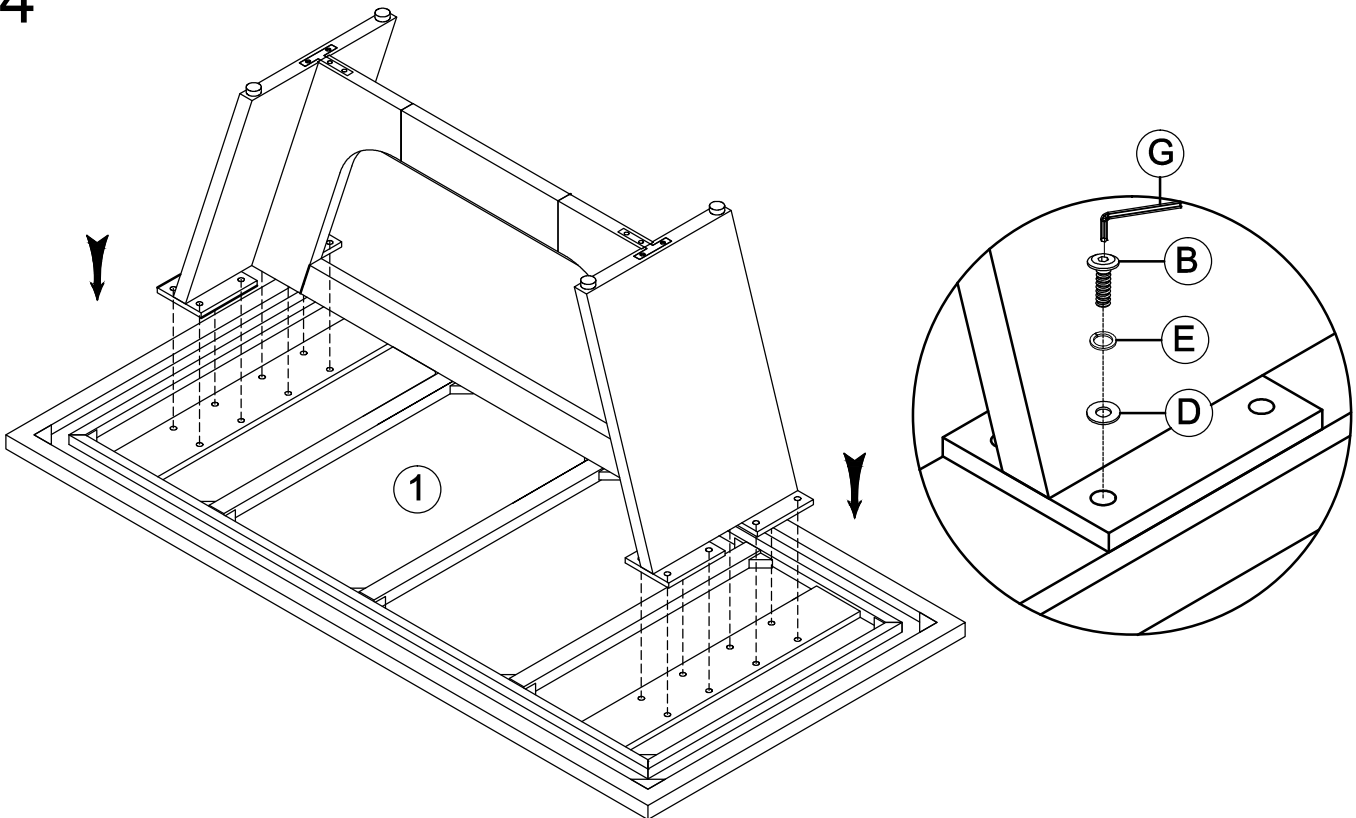
2



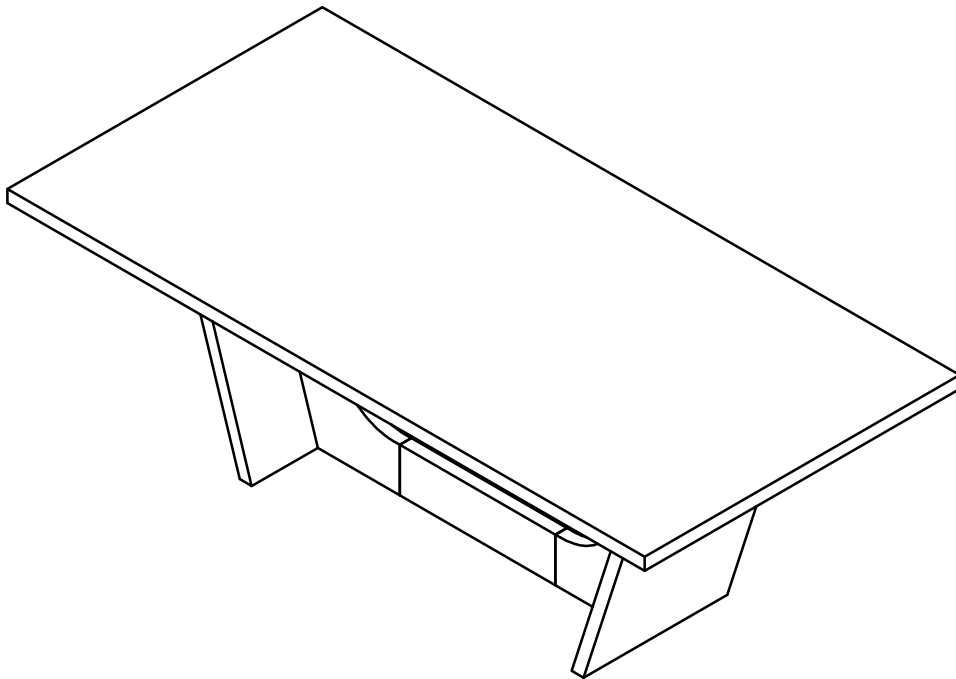
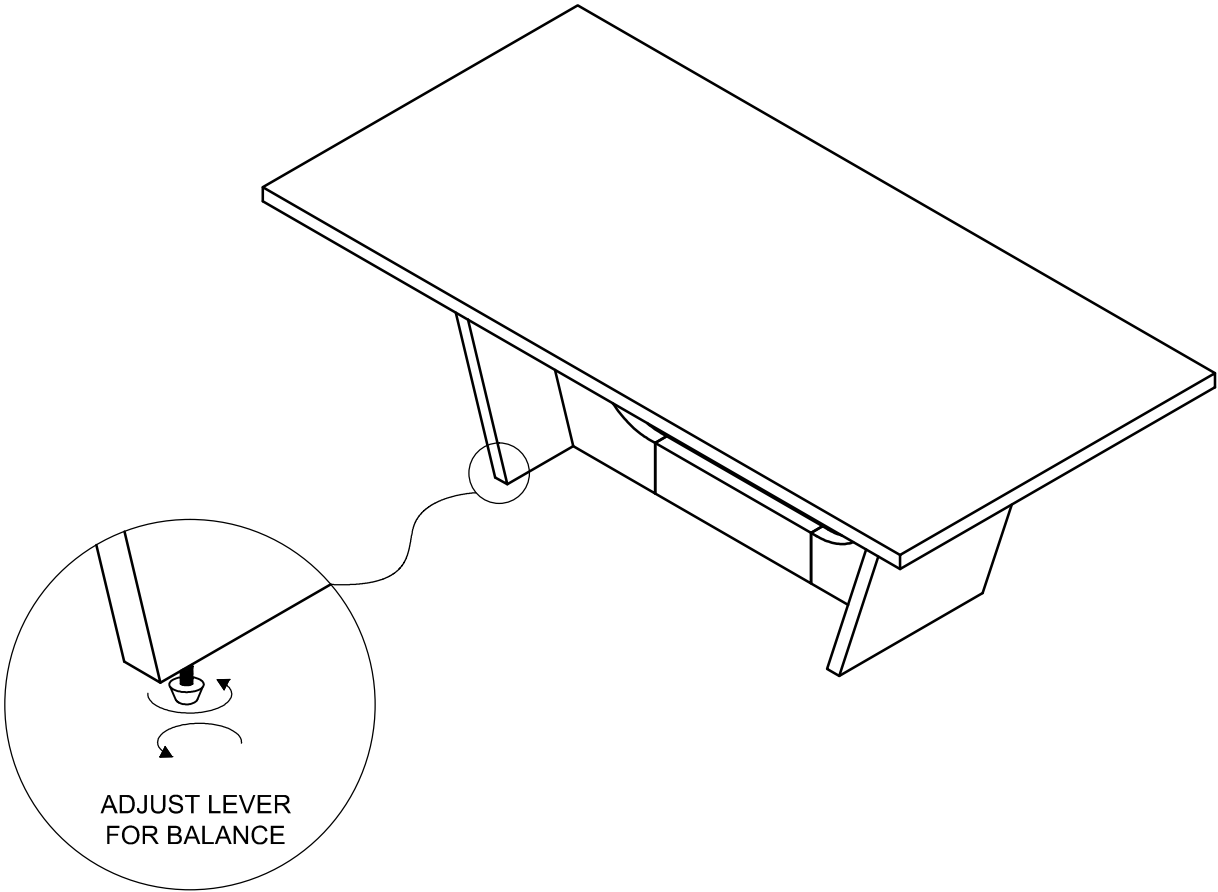
3



4



5



FINISHED

PAGE 4