

80294 QUEEN / KING BED ASSEMBLY INSTRUCTION

Thank you for purchasing this quality product. Be sure to check all packing material carefully for small parts which may have come loose inside the carton during shipment. Separate, identify and count all parts and hardware. Compare with the parts list to be sure all parts are present.

IMPORTANT : PLEASE READ INSTRUCTION BEFORE STARTING THE ASSEMBLY.

"DO NOT TIGHTEN SCREWS UNTIL COMPLETELY ASSEMBLED"

"DO NOT OVERTIGHT ANY HARDWARE"

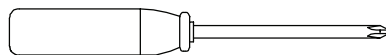
WARNING : SMALL PARTS AND HARDWARE NOT FOR CHILDREN UNDER 3 YEARS. ADULT ASSEMBLY REQUIRED.

TABLE OF CONTENTS

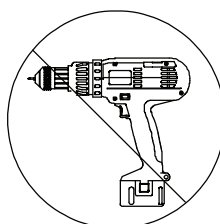
HARDWARES LIST	PAGE 2
PARTS LIST	PAGE 3 - 4
PARTS' LOCATION	PAGE 5
ASSEMBLY STEPS	PAGE 6 - 9
ASSEMBLY COMPLETED	PAGE 9

ASSEMBLY TOOLS REQUIRED

1. Screwdriver (not provide)

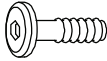
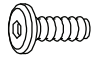
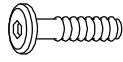









Skip the power drill this time.



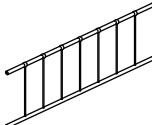
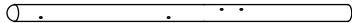
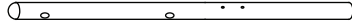
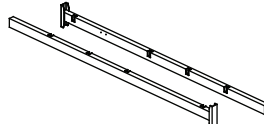
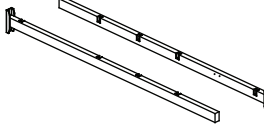

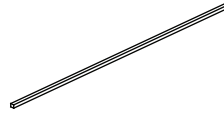
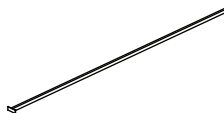

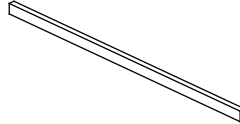

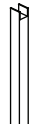
80294 QUEEN / KING BED ASSEMBLY INSTRUCTION

HARDWARES LIST

ITEM	DESCRIPTION	DRAWING	QTY
A	JCBB SCREW M8 x 20MM		8 PCS
B	JCBC SCREW M6 x 15MM		16 PCS
C	JCBC SCREW M6 x 35MM		10 PCS
D	JCBC SCREW M6 x 80MM		6 PCS
E	SPRING WASHER M6 x 12MM		32 PCS
F	FLAT WASHER M6 x 19MM		16 PCS
G	HEX NUT M6 x 10MM		8 PCS
H	M4 ALLEN KEY (100MM)		1 PC
I	M5 ALLEN KEY (65MM)		1 PC
J	SPANNER M10 x 100MM		1 PC

80294 QUEEN / KING BED ASSEMBLY INSTRUCTION

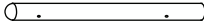

PARTS LIST

ITEM	DESCRIPTION	DRAWING	QTY
1	HEADBOARD / FOOTBOARD		2 PCS
2	HEADBOARD POST (L)		1 PC
3	HEADBOARD POST (R)		1 PC
4	SIDE RAIL		2 PCS
5	SIDE RAIL		2 PCS
6	SIDE RAIL LEG		2 PCS
7	CENTER SLAT		1 PC
8	SLAT WITH BRACKET		2 PCS
9	SLAT		8 PCS
10	CENTER SUPPORT		4 PCS
11	CENTER SUPPORT LEG		2 PCS
12	SUPPORT LEG		4 PCS

MORE PARTS DETAIL IN NEXT PAGE...

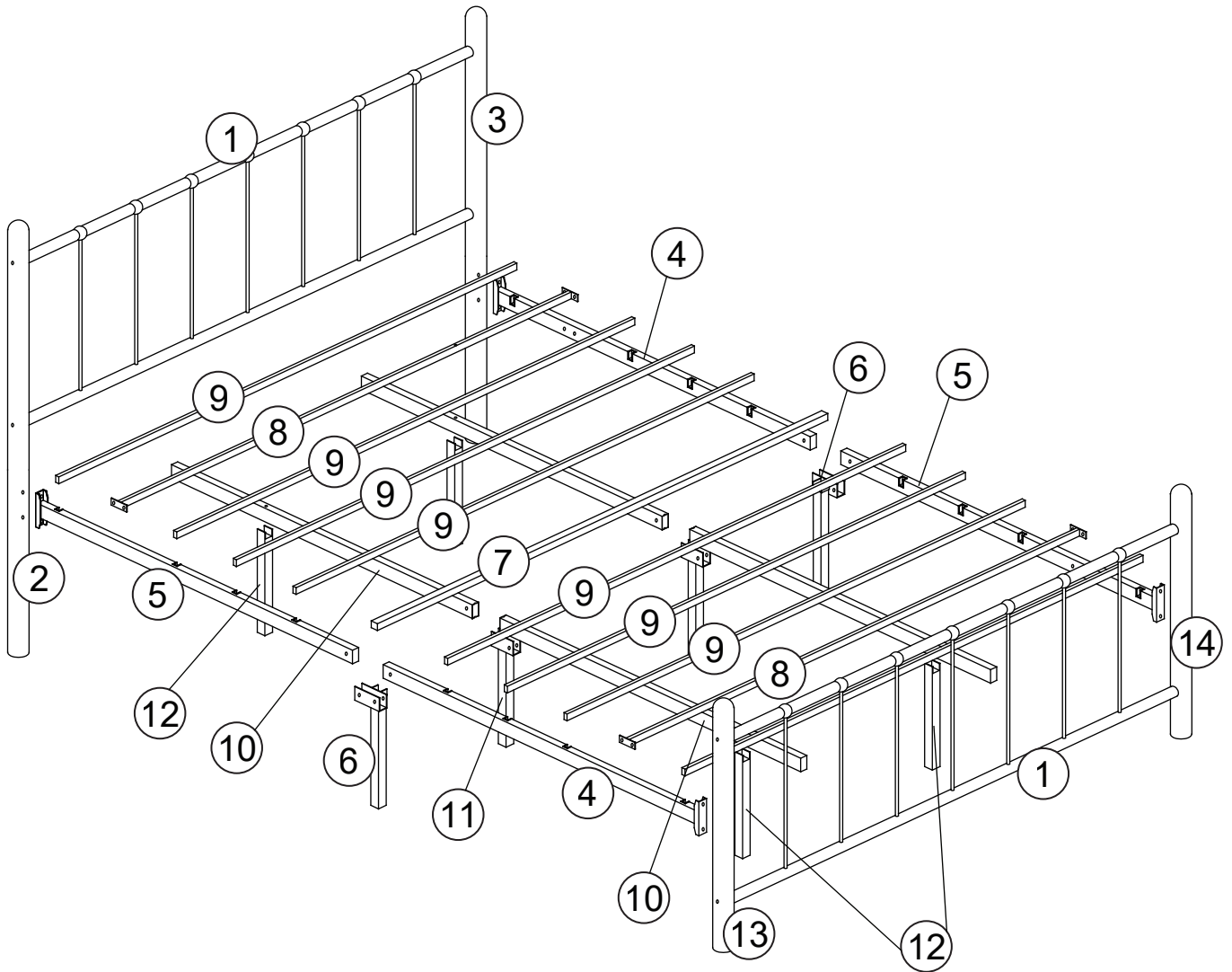
80294 QUEEN / KING BED ASSEMBLY INSTRUCTION

PARTS LIST

ITEM	DESCRIPTION	DRAWING	QTY
13	FOOTBOARD POST (L)		1 PC
14	FOOTBOARD POST (R)		1 PC

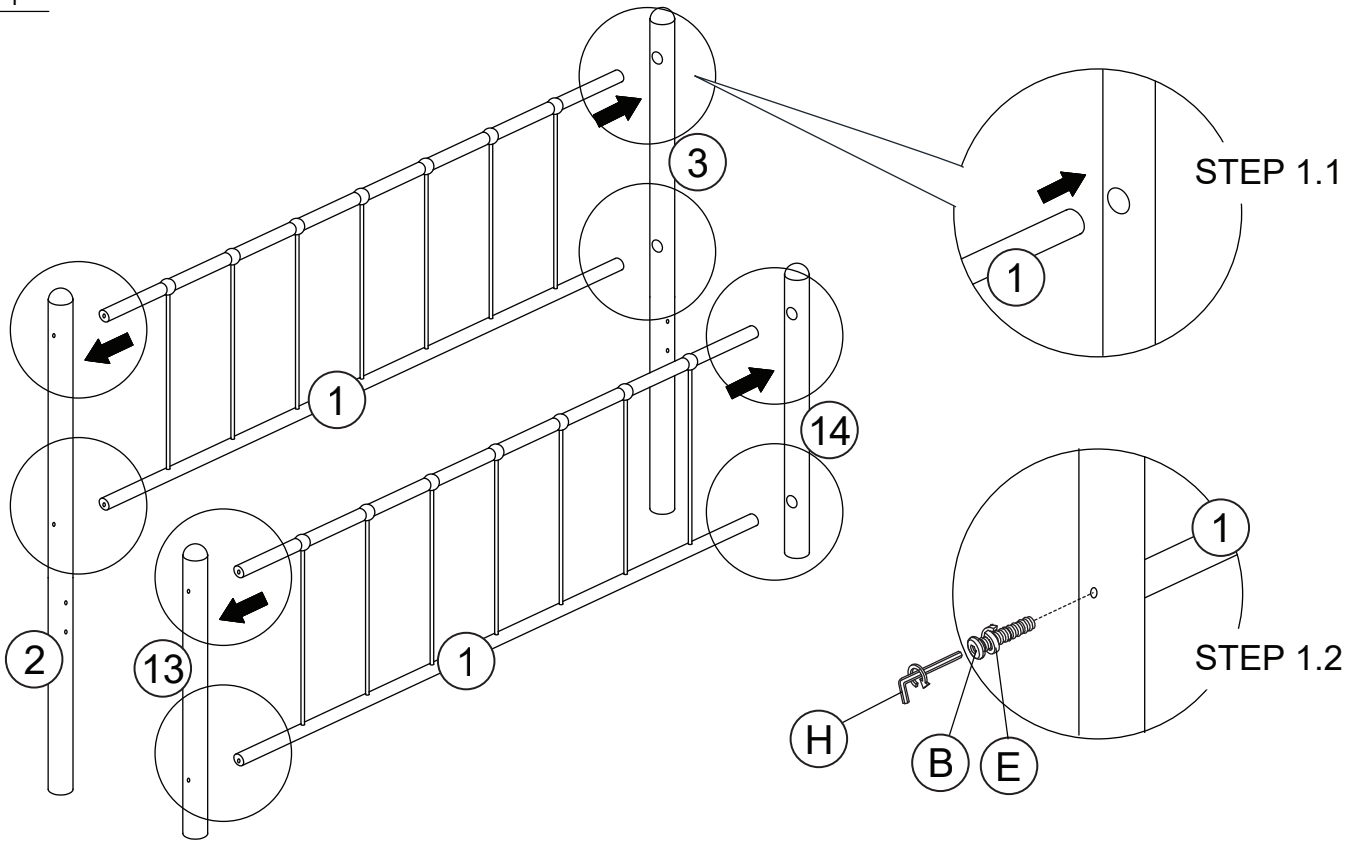
80294 QUEEN / KING BED ASSEMBLY INSTRUCTION

PARTS ' LOCATION

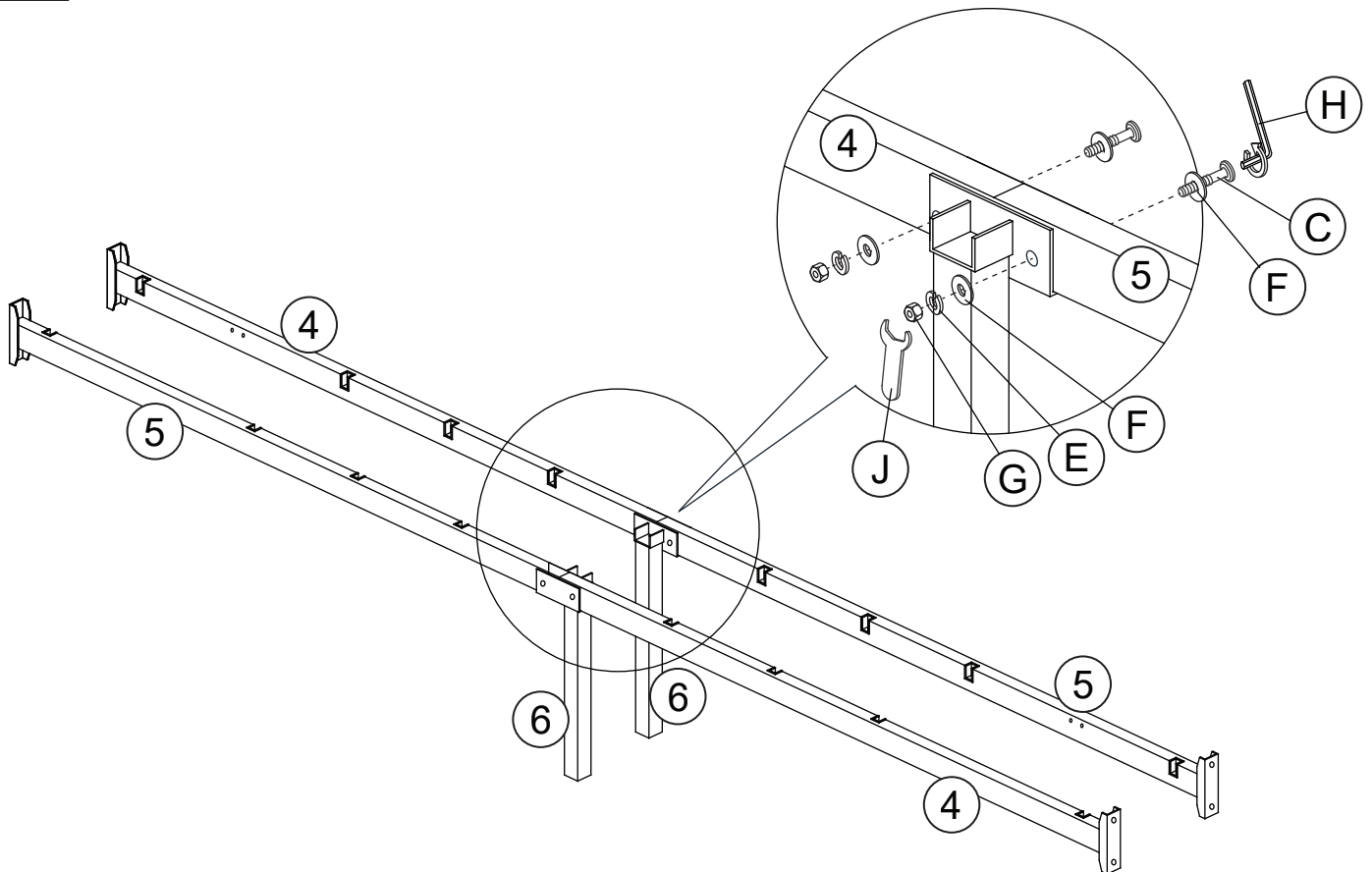


80294 QUEEN / KING BED ASSEMBLY INSTRUCTION

STEP 1



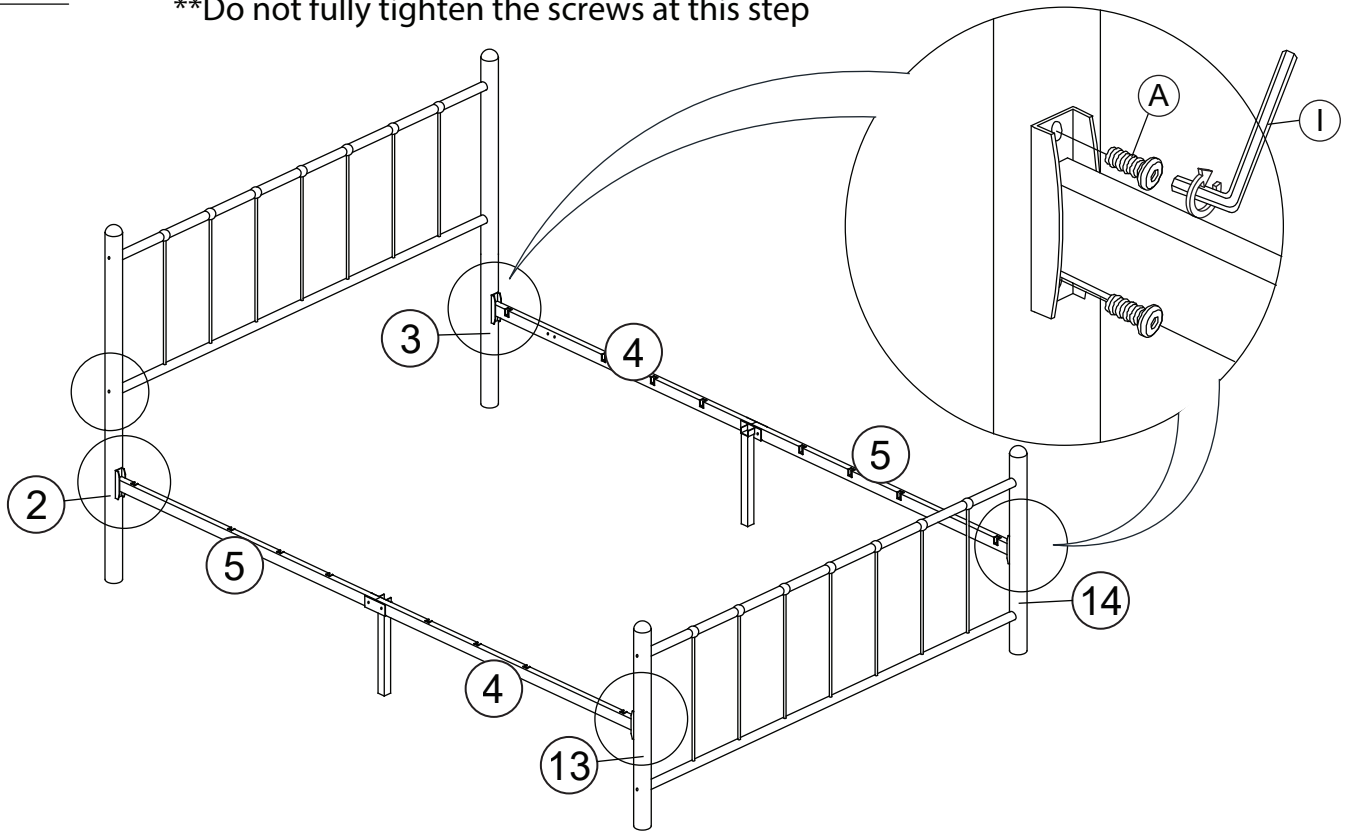
STEP 2



80294 QUEEN / KING BED ASSEMBLY INSTRUCTION

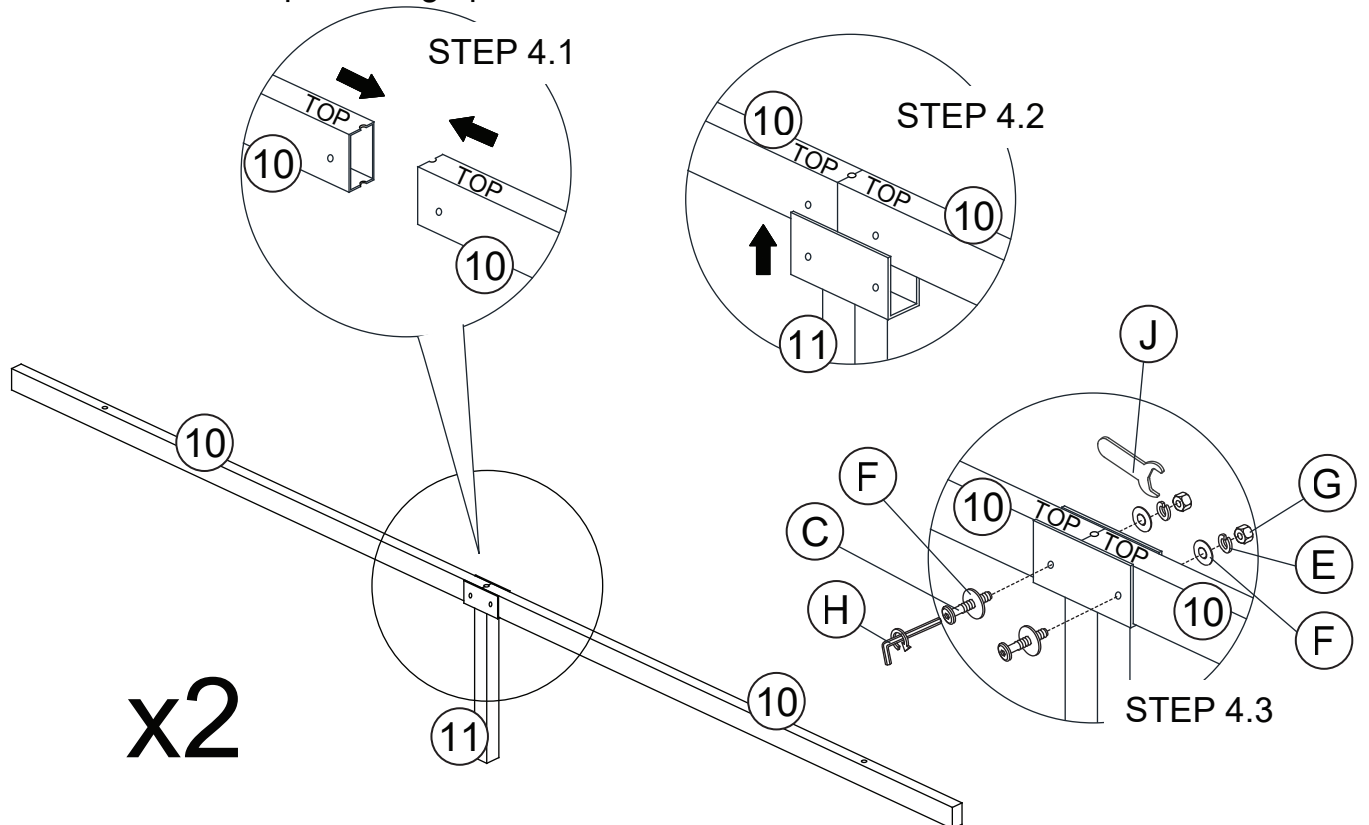
STEP 3

****Do not fully tighten the screws at this step**



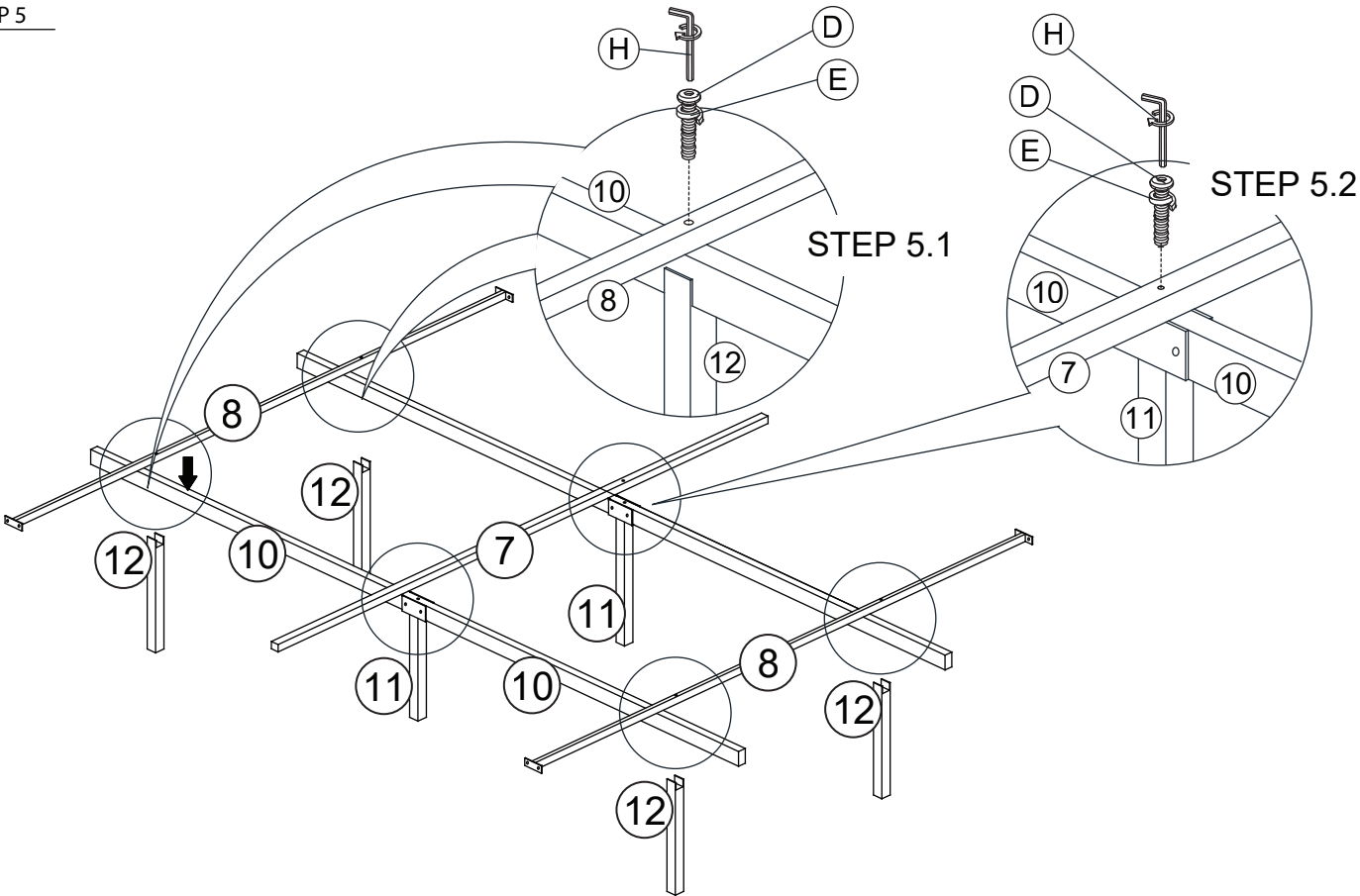
STEP 4

***Top is facing up**

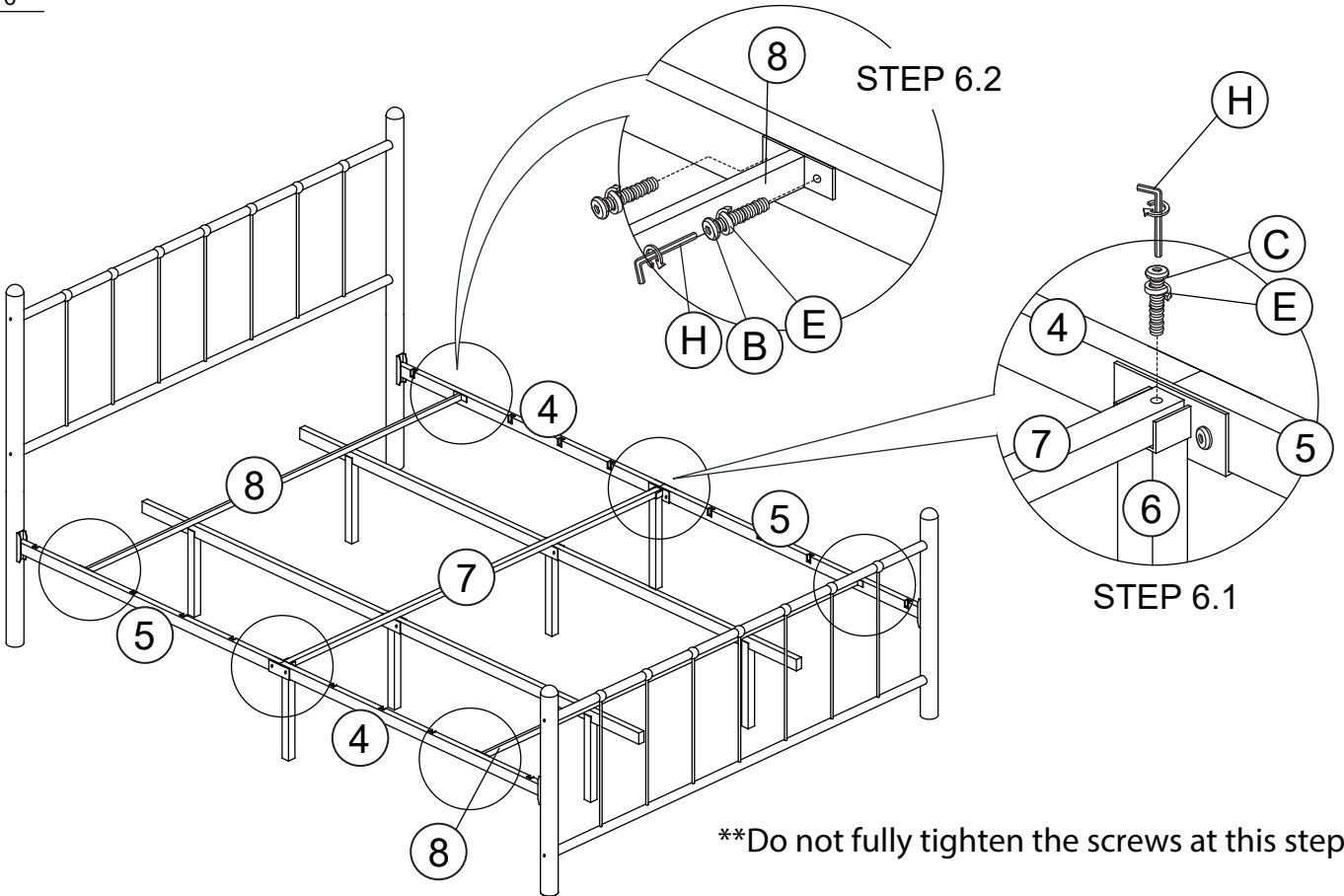


80294 QUEEN / KING BED ASSEMBLY INSTRUCTION

STEP 5



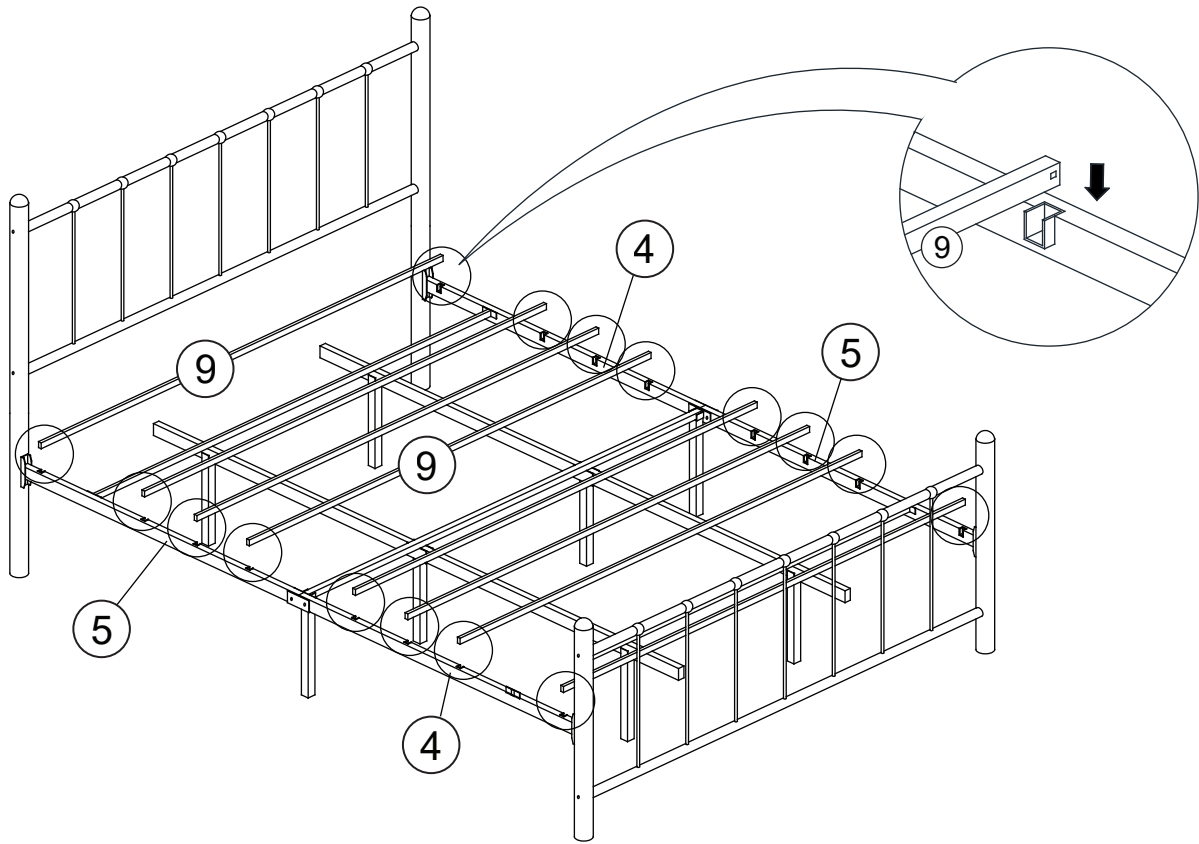
STEP 6



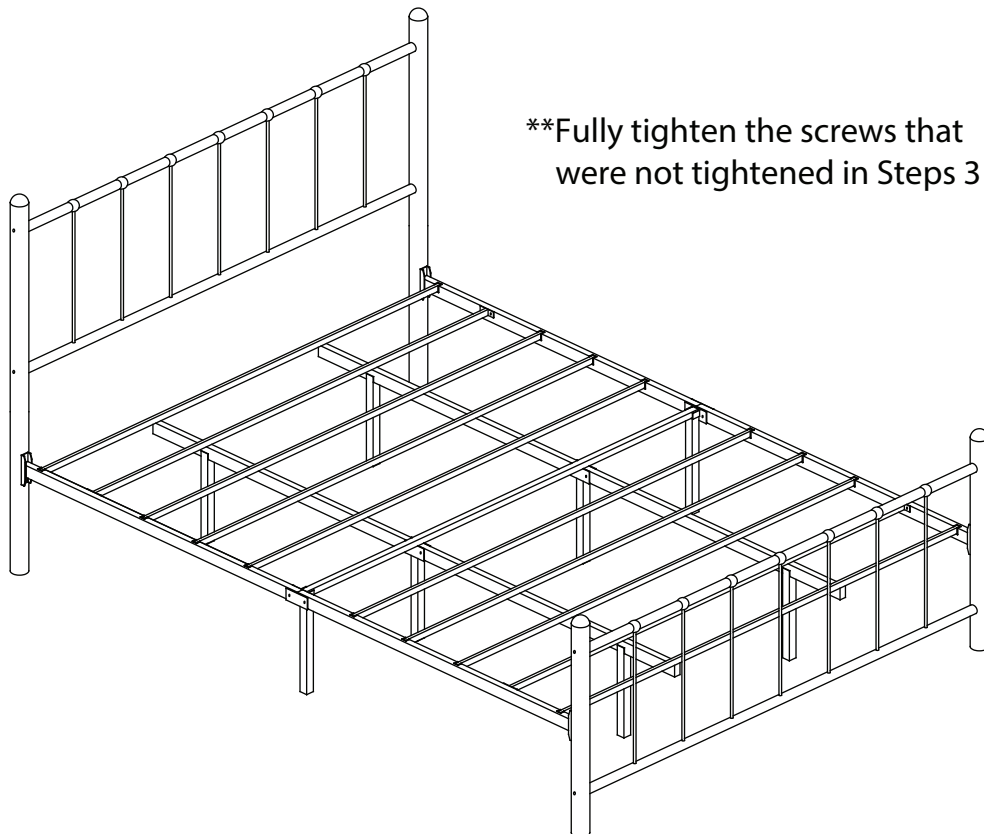
**Do not fully tighten the screws at this step

80294 QUEEN / KING BED ASSEMBLY INSTRUCTION

STEP 7



STEP 8



****Fully tighten the screws that were not tightened in Steps 3 and 6.**

ASSEMBLY COMPLETED