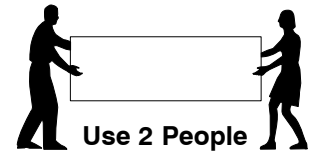
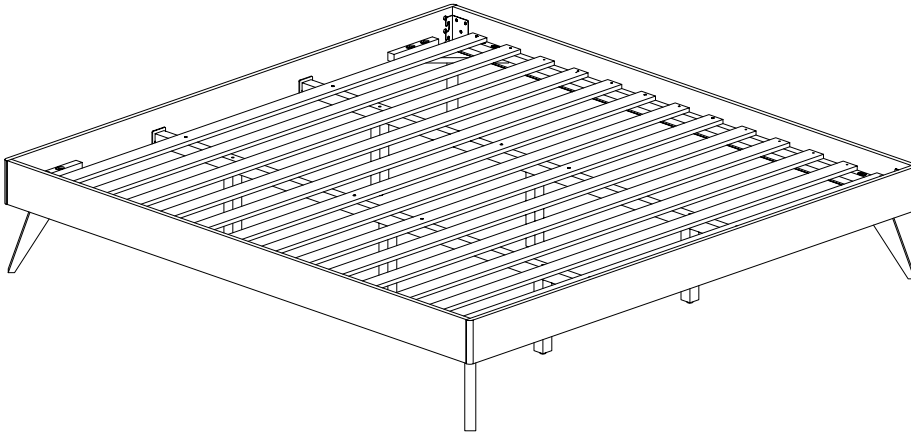


King Bed

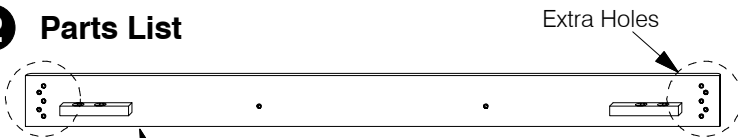
Assembly Instructions

1 Assembled View



Note: Do not assemble using power tools. This can cause the bolts to be overtightened

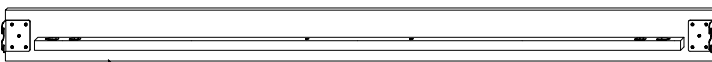
2 Parts List



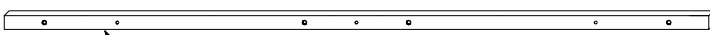
A Headboard Panel x 1



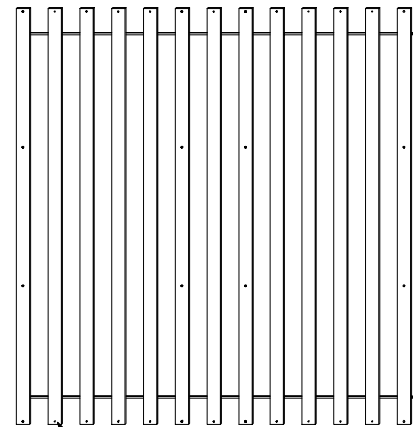
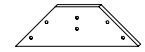
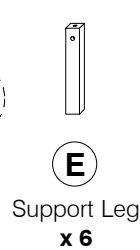
B Footboard Panel x 1



C Side Rail x 2



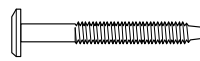
D Long Support x 2



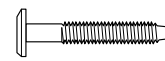
3 Hardware List



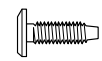
1 M6 x 90mm JCB x 6



2 M6 x 50mm JCB x 16



3 M6 x 40mm JCB x 22



4 M6 x 20mm JCB x 8



5 M6 x 15mm JCB x 8



6 M8 x 50mm JCB x 8



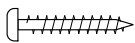
7 Barrel Nut x 6



8 Spring Washer x 30



9 Flat Washer x 30



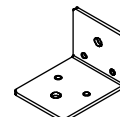
10 Wood Screw (M4 x 32mm) x 18



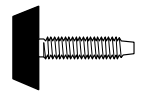
11 M4 Allen Key x 1



12 M5 Allen Key x 1



13 Center Rail Bracket x 4

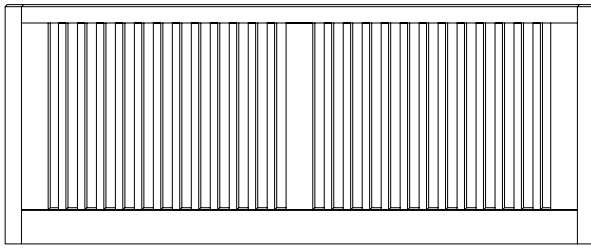


14 Adjustable Foot x 6

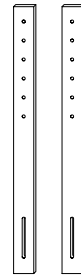
King Headboard

Assembly Instructions

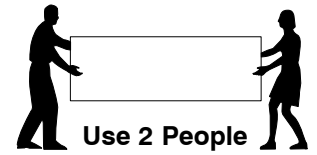
1 Parts List



A
Headboard
Panel x 1



B
Support
Bars x 2



2 Hardware List



1 M6 x 35mm JCB
x 10



2 Spring Washer
x 10



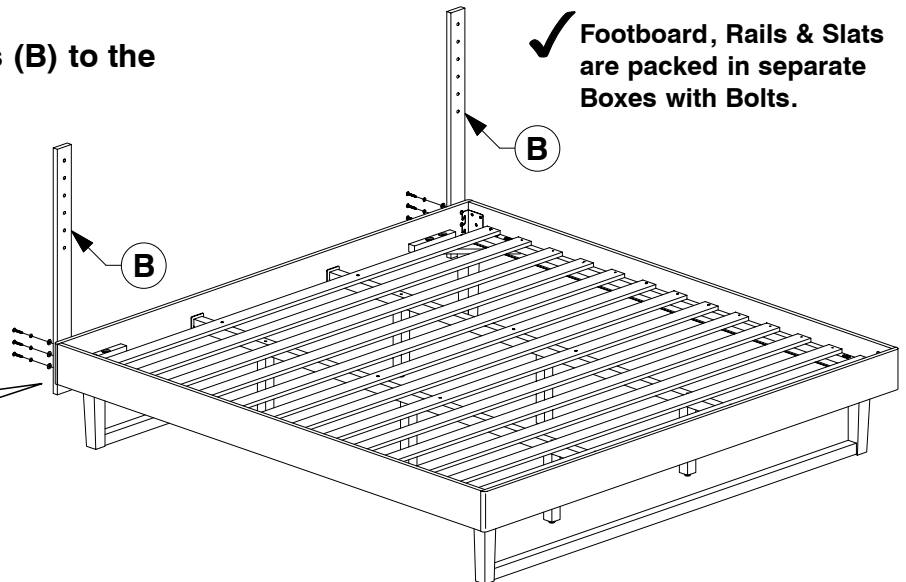
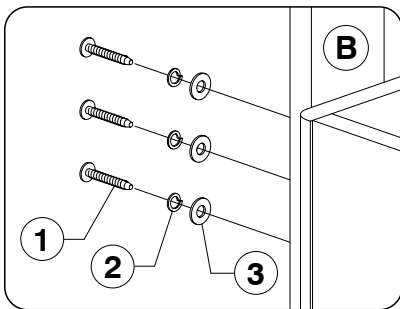
3 Flat Washer
x 10



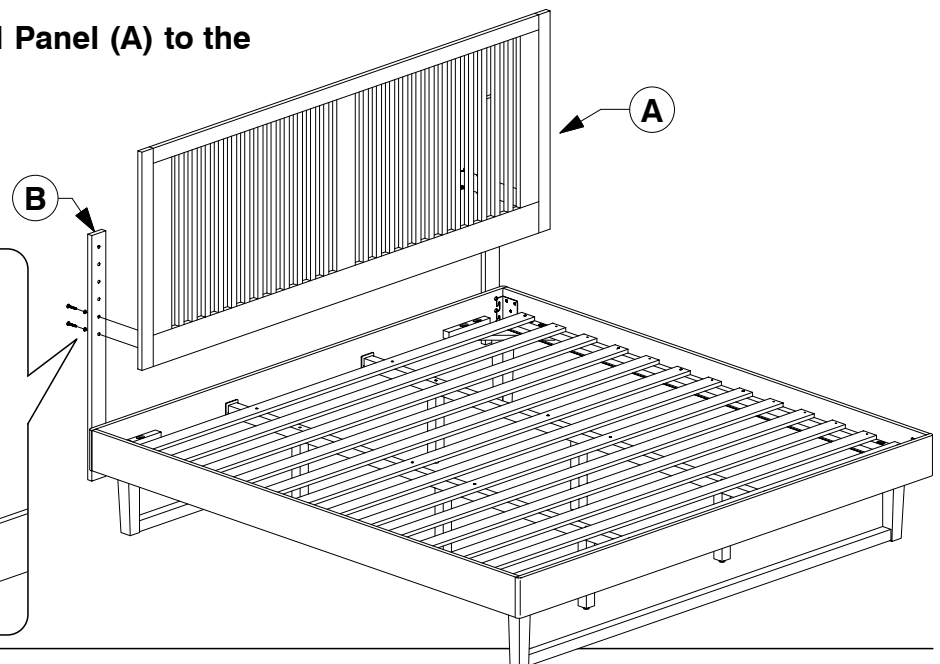
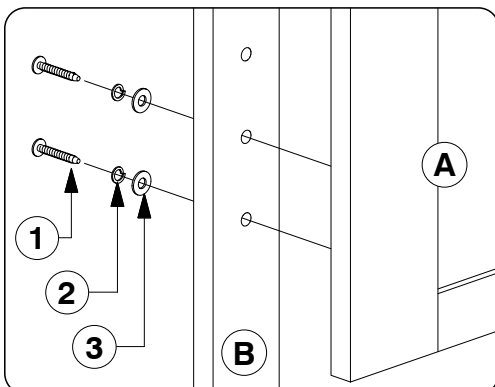
4 Allen Key
x 1

Note: Do not assemble
using power tools.
This can cause the bolts
to be overtightened

3 Assemble the Support Bars (B) to the Headboard Panel.



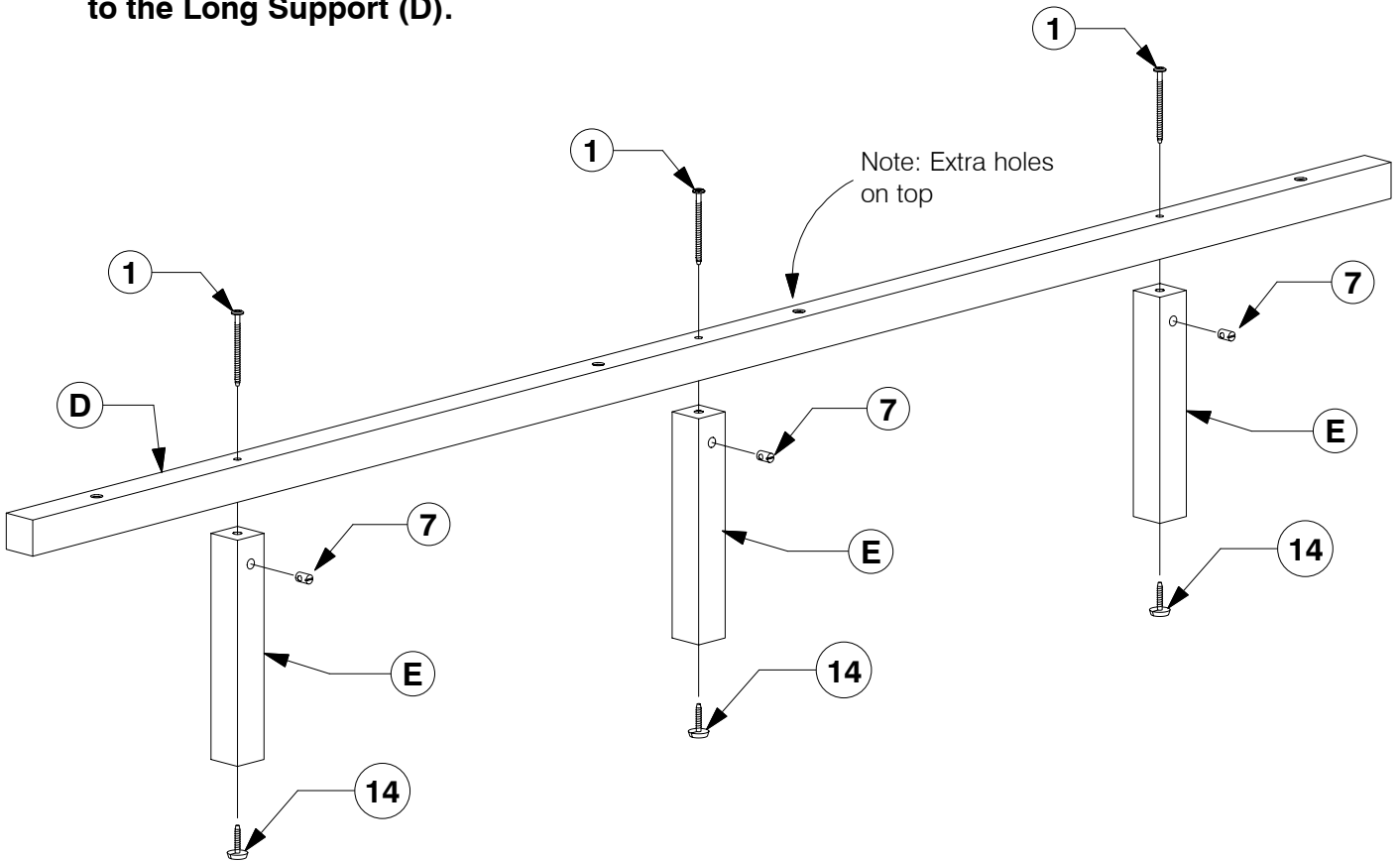
4 Assemble the Headboard Panel (A) to the Support Bars (B).



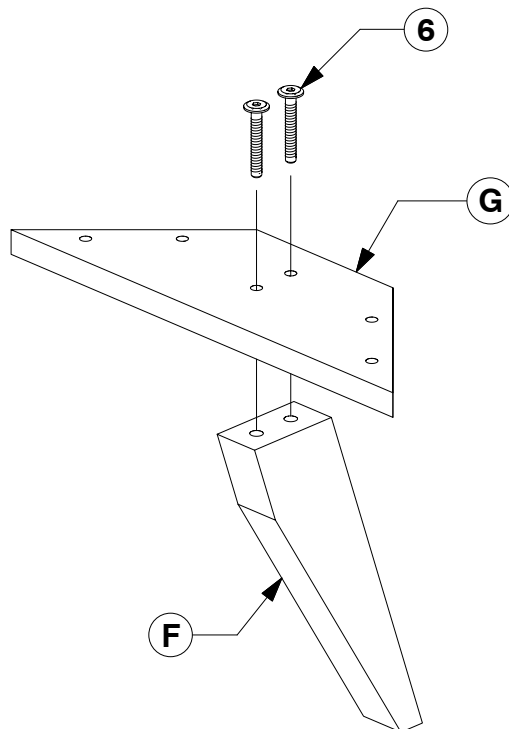
King Bed

Assembly Instructions

4 Assembled the Support Leg (E) to the Long Support (D).



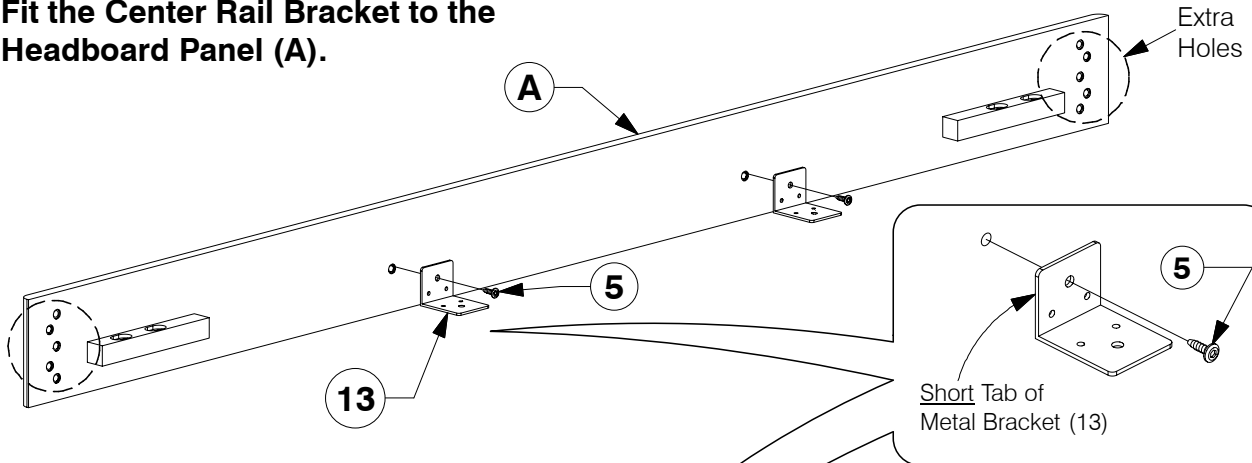
5 Fit the Post (F) to the Support Panel (G).



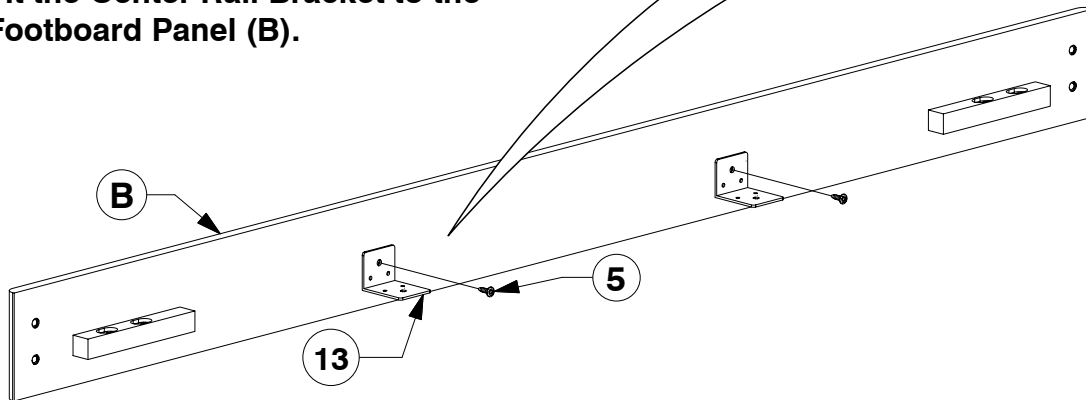
King Bed

Assembly Instructions

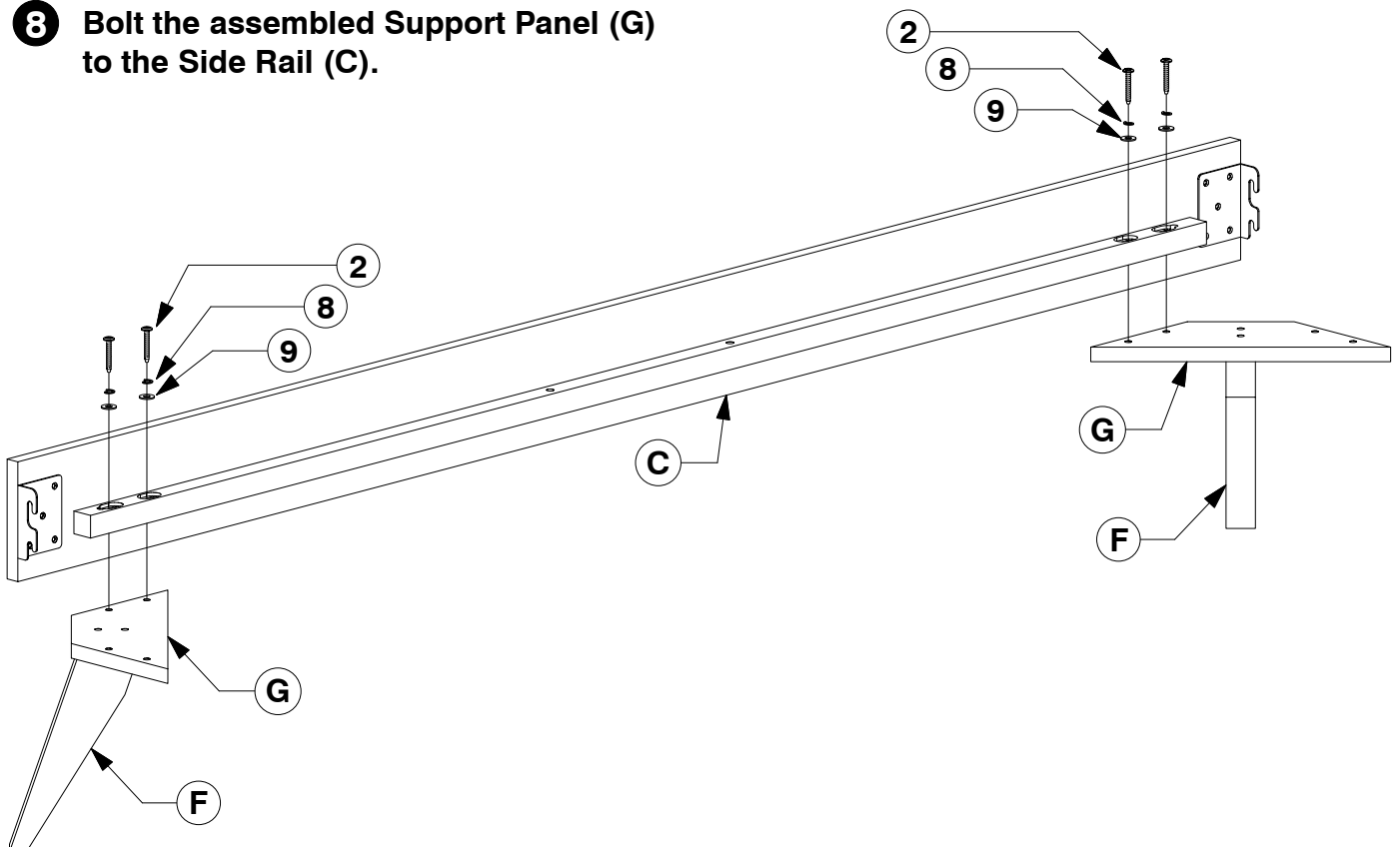
- 6** Fit the Center Rail Bracket to the Headboard Panel (A).



- 7** Fit the Center Rail Bracket to the Footboard Panel (B).



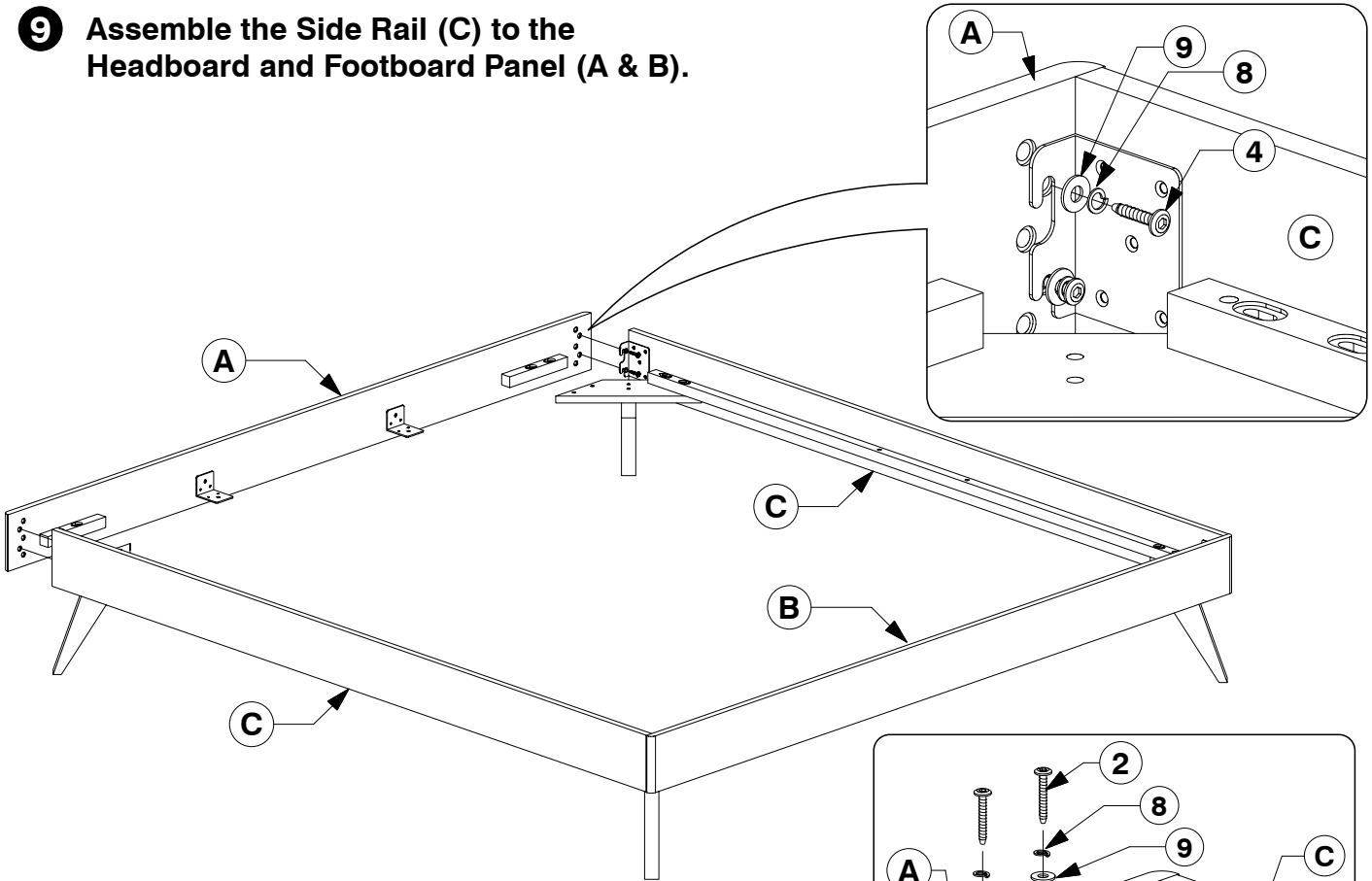
- 8** Bolt the assembled Support Panel (G) to the Side Rail (C).



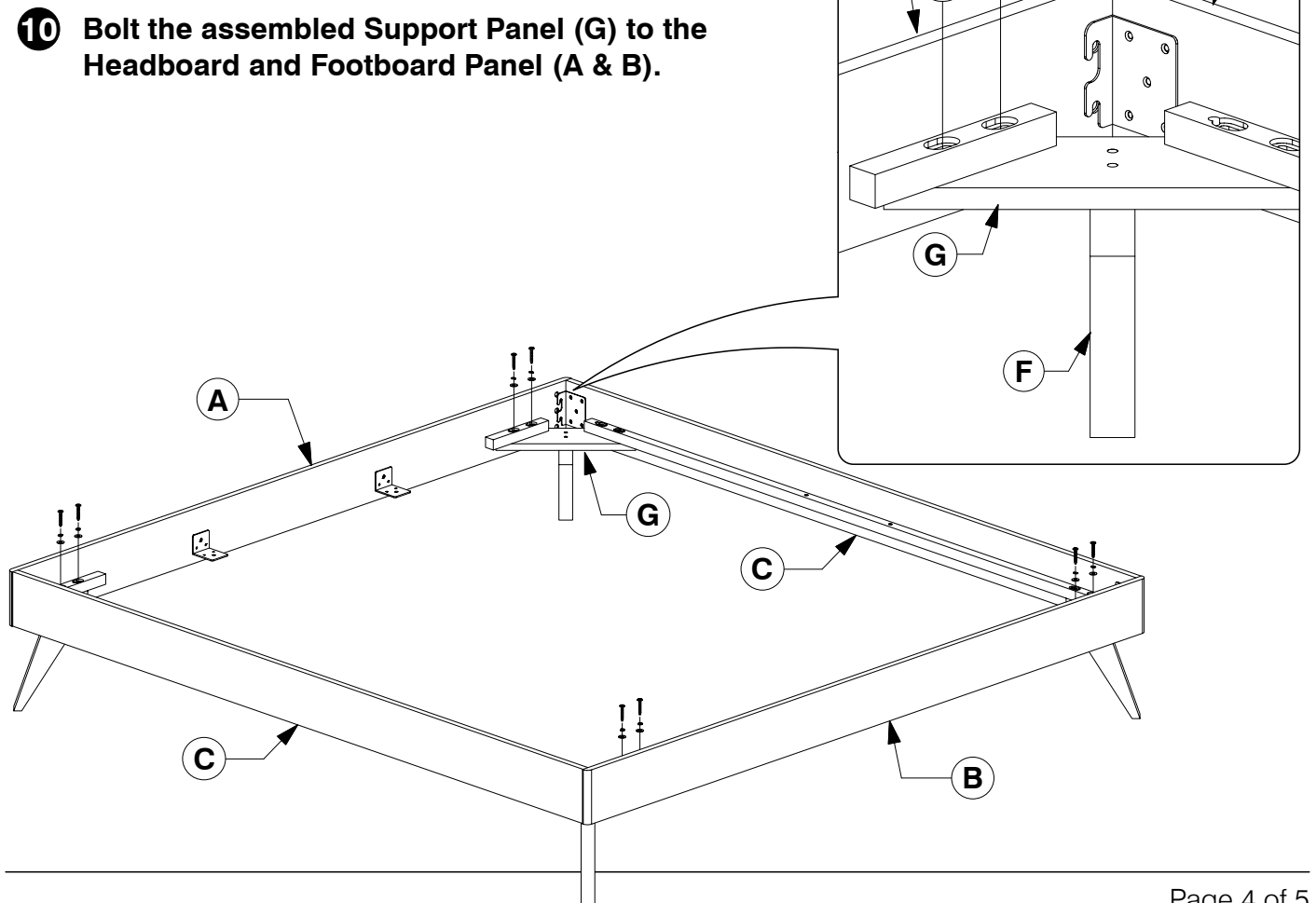
King Bed

Assembly Instructions

9 Assemble the Side Rail (C) to the Headboard and Footboard Panel (A & B).



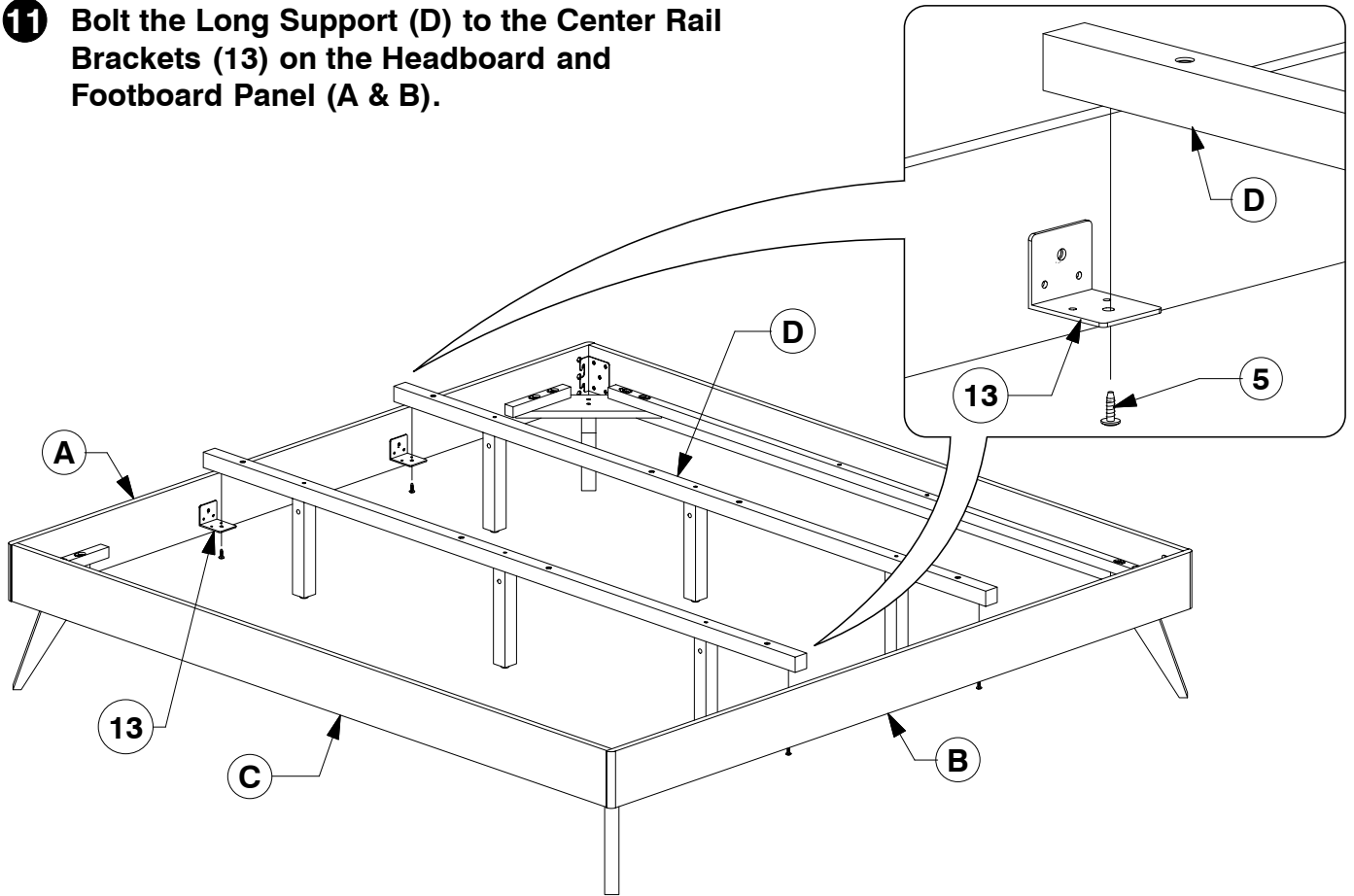
10 Bolt the assembled Support Panel (G) to the Headboard and Footboard Panel (A & B).



King Bed

Assembly Instructions

- 11** Bolt the Long Support (D) to the Center Rail Brackets (13) on the Headboard and Footboard Panel (A & B).



- 12** Bolt & screw the Bed Slats (H) to the Side Rail (C).

