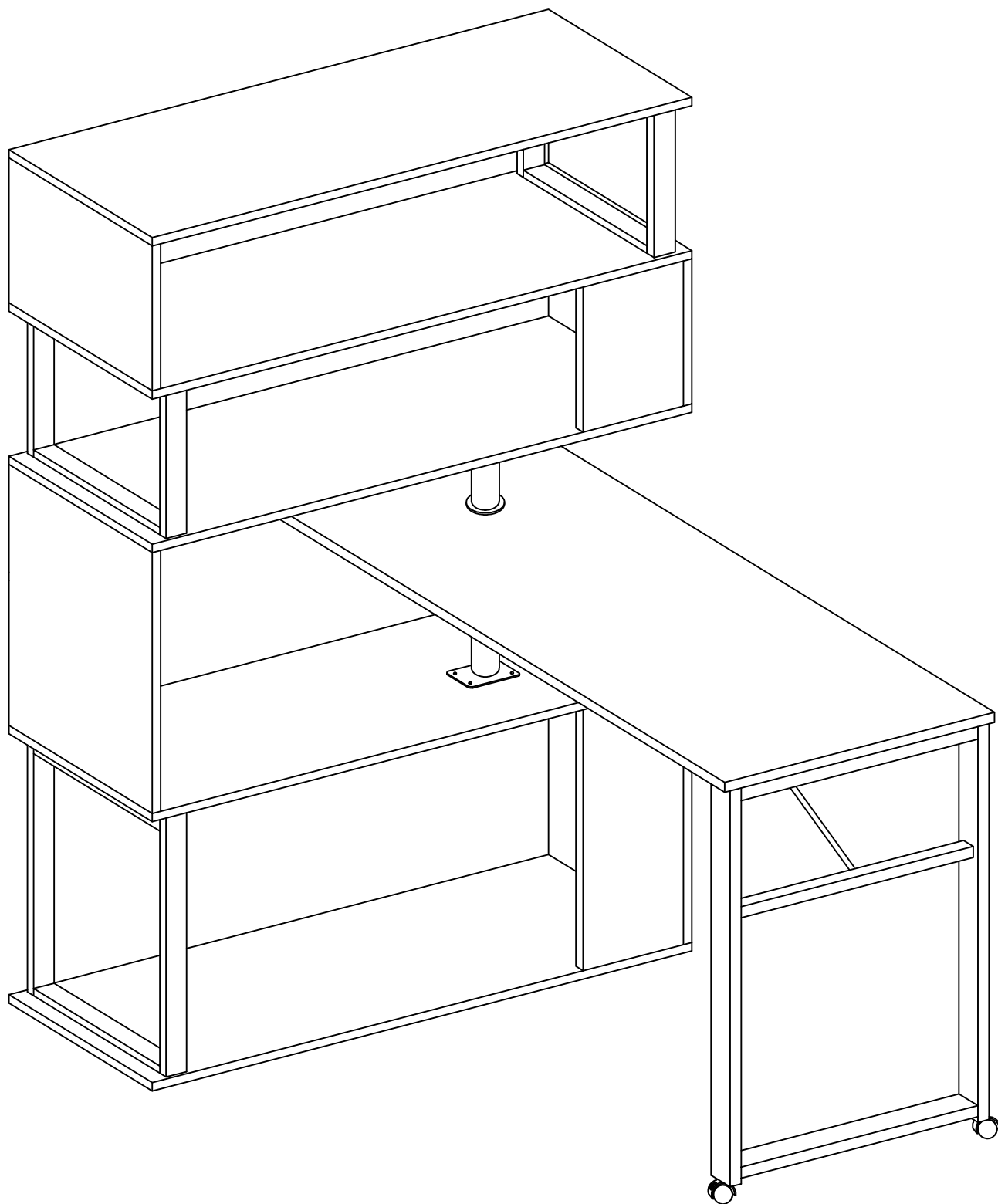
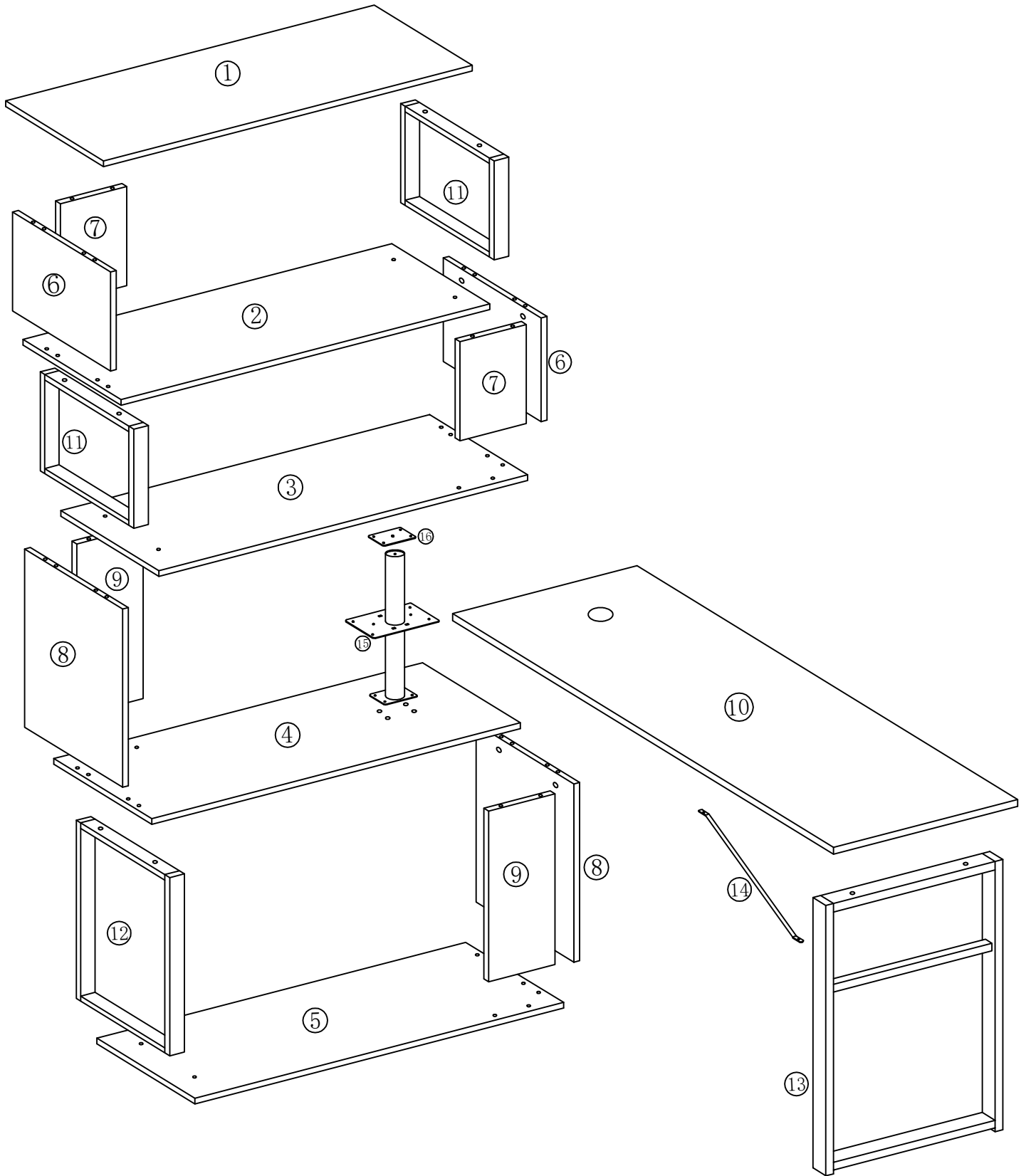
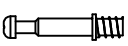
















WF196079AAE

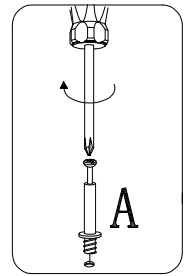
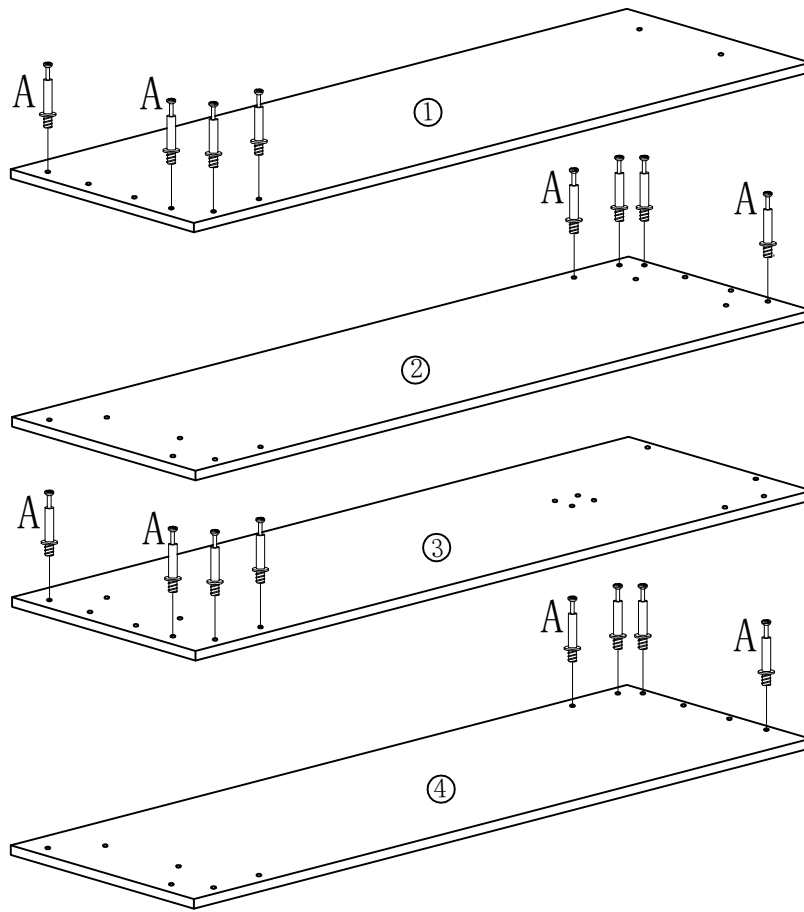


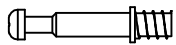


A	X16	B	X16	C	X16	D	X16	E	X1	F	X1	G	X14	H	X12
															
φ 6X35		φ 15X12		φ 8X30		φ 7X47		M4X55		M5X55		M6*12mm		M6*22mm	

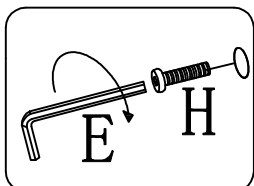
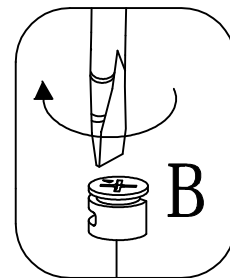
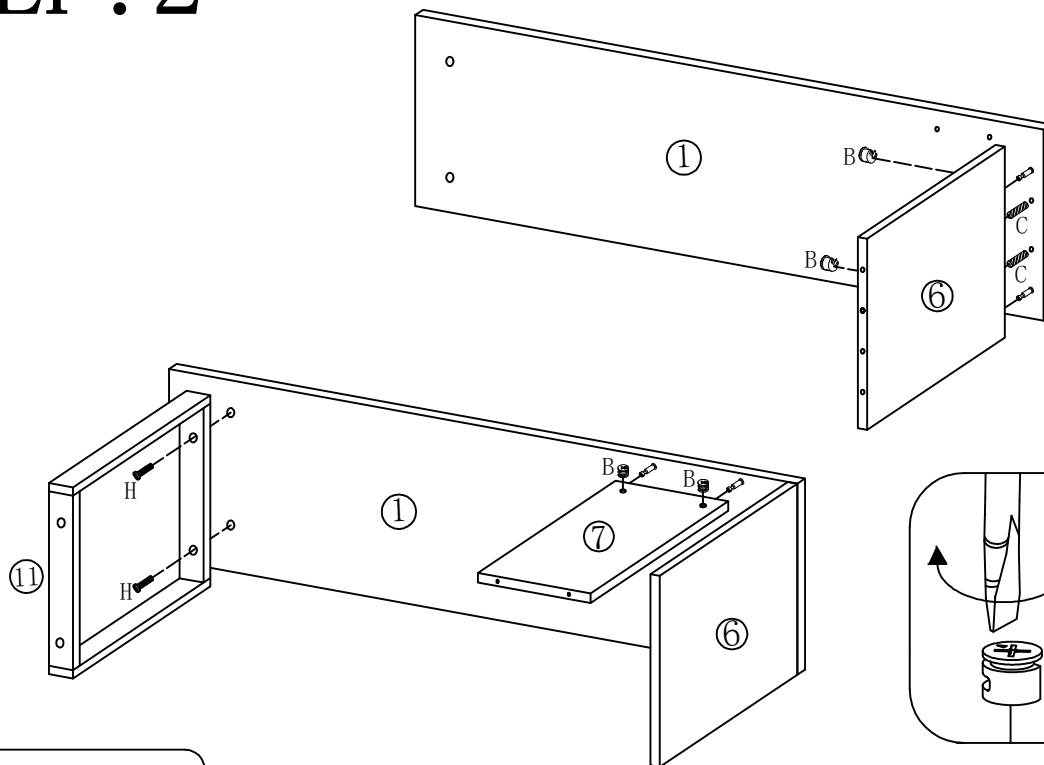
I	X2	J	X1	K	X4	L	X1	M	X1	N	X1	O	X1
													
M6*30mm		M8*30mm		45*45*5mm		开口: 12mm		φ 62mm		M8		M8	





STEP: 1



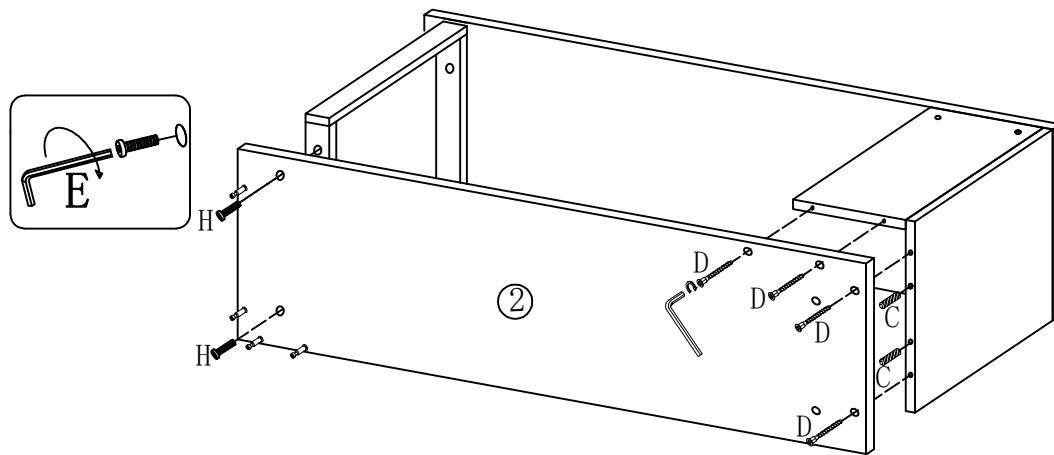
A	X16
	
Φ 6X35	


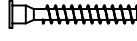

STEP: 2



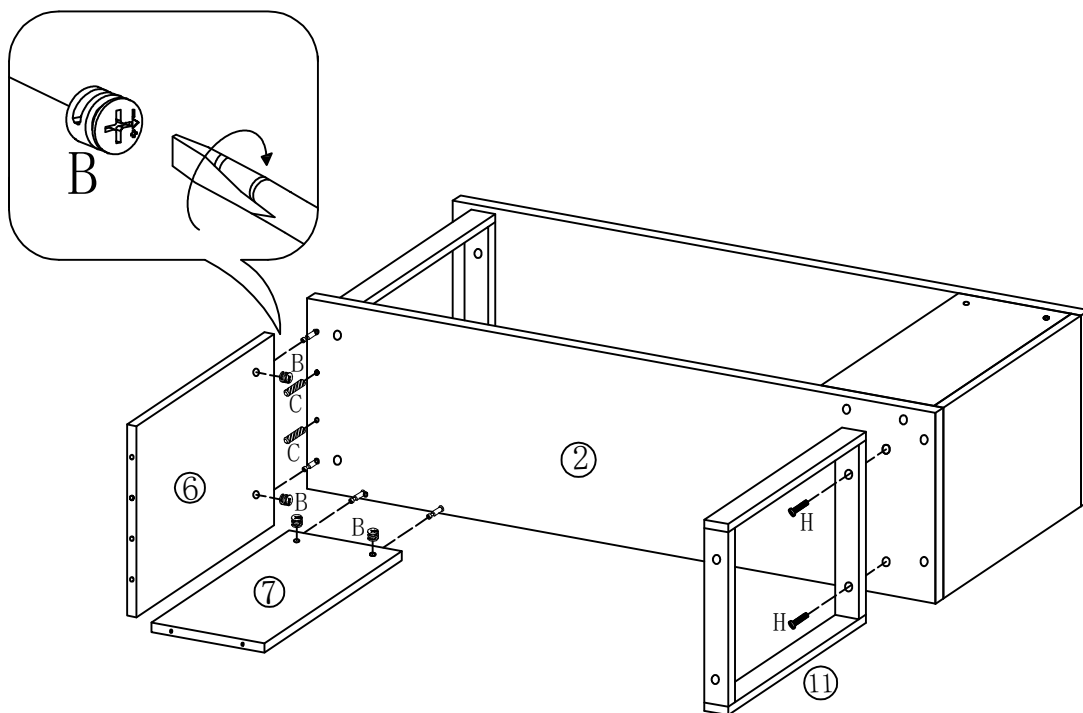
B	X4	C	X2	E	X1	H	X2
							
Φ 15X12		Φ 8X30		M4X55		M6*22mm	




STEP: 3



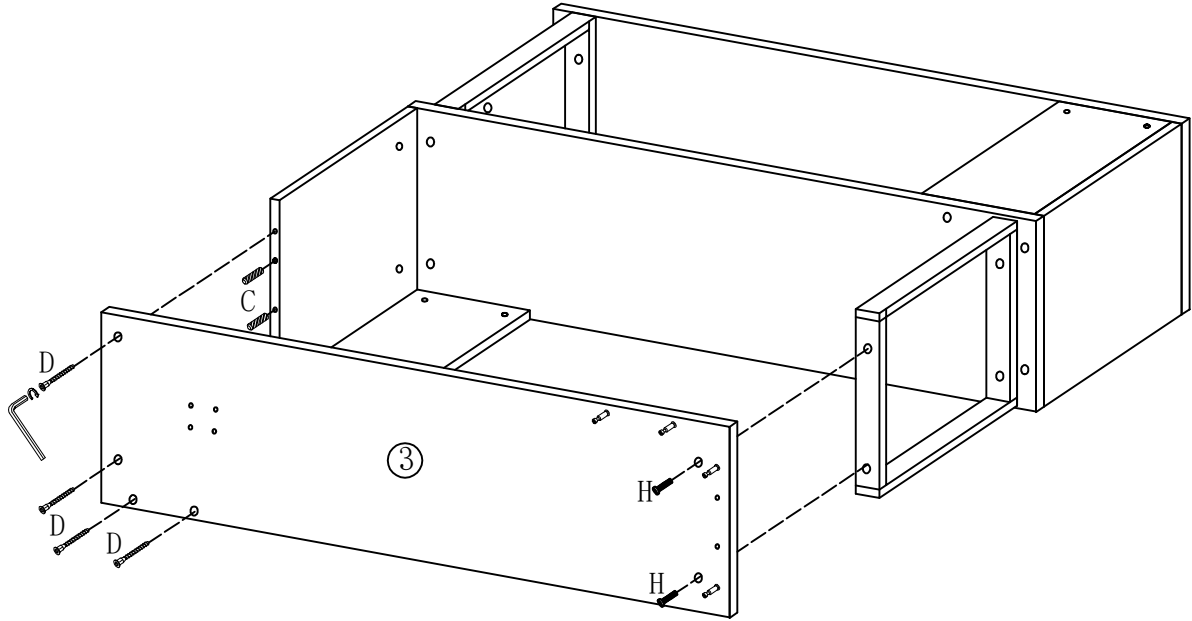
C	X2	D	X4	H	X2
					
ϕ 8X30		ϕ 7X47		M6*22mm	


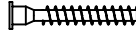

STEP: 4



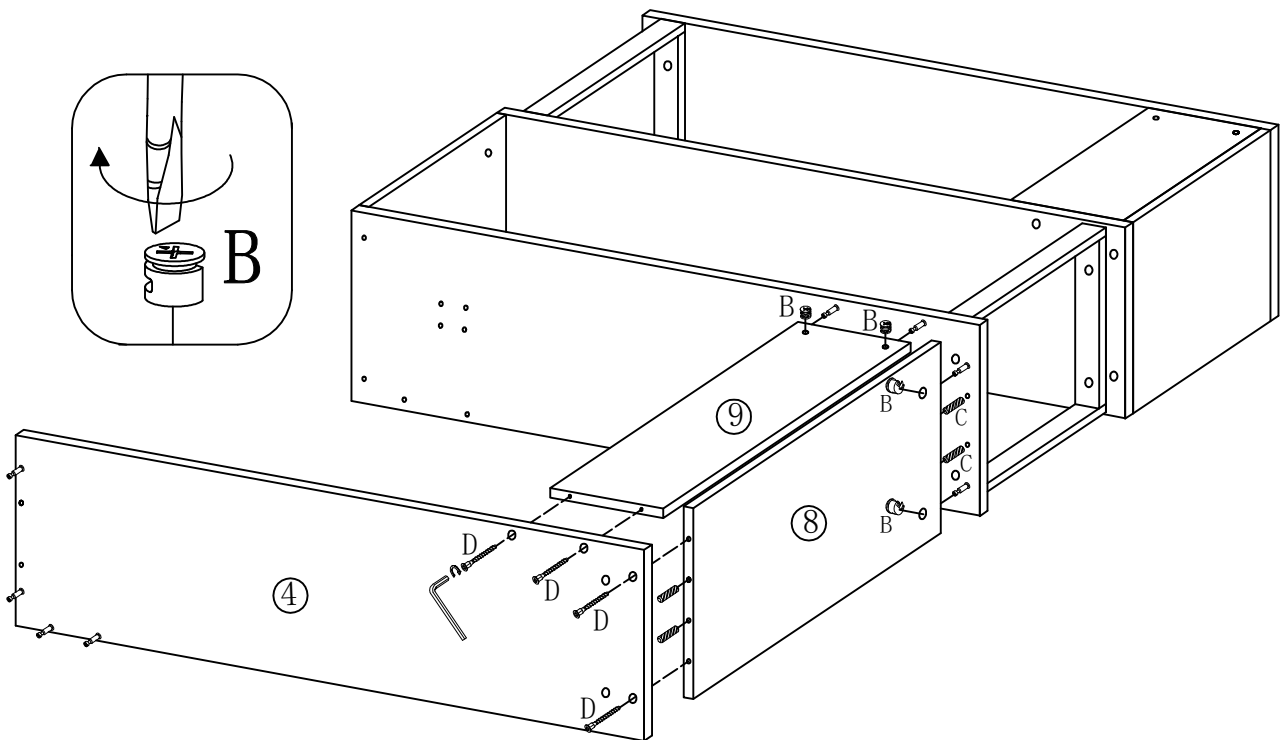
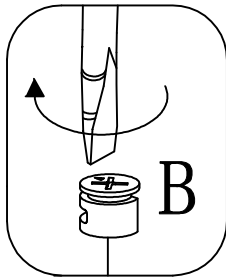
B	X4	C	X2	H	X2
					
ϕ 15X12		ϕ 8X30		M6*22mm	




STEP: 5



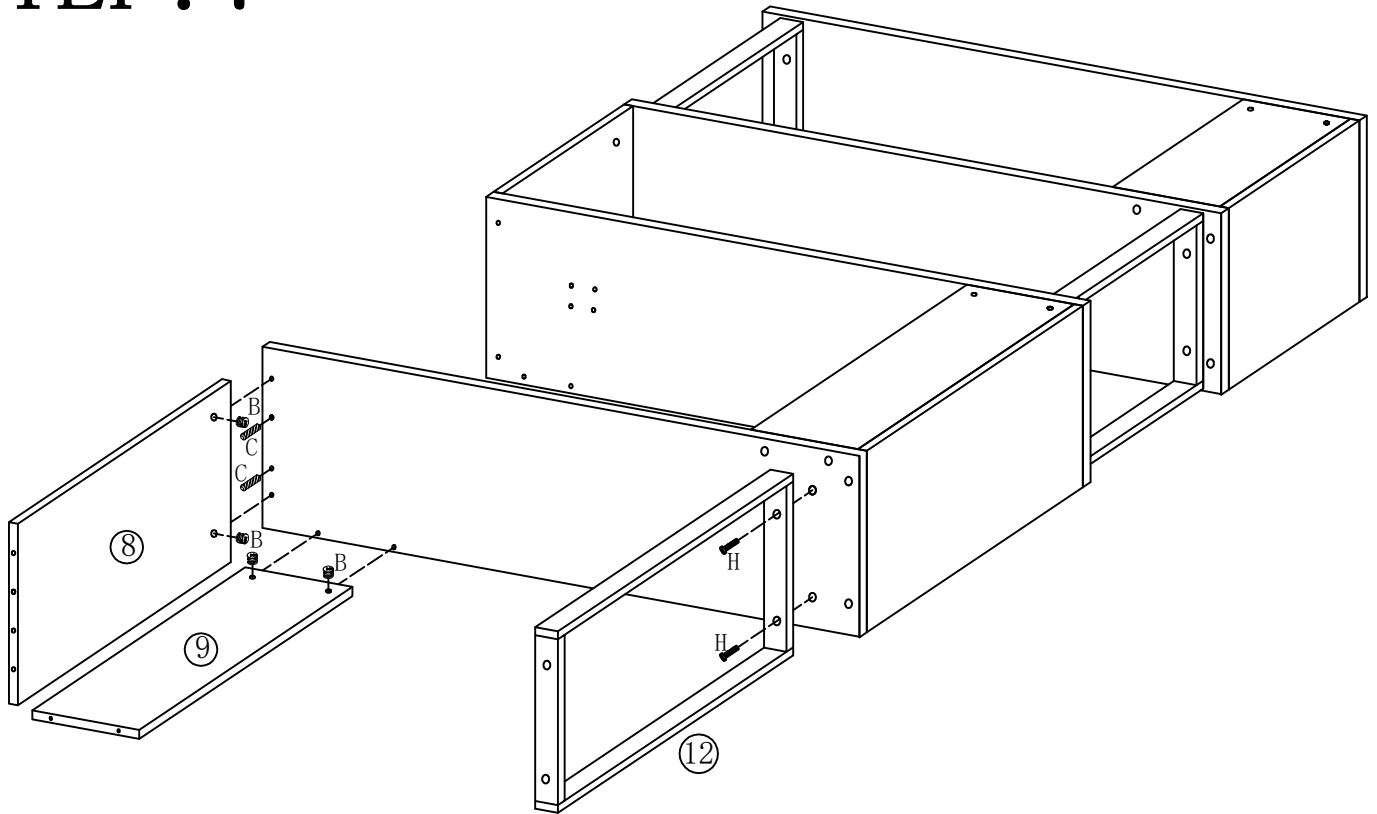
C	X2	D	X4	H	X2
					
ϕ 8X30		ϕ 7X47		M6*22mm	




STEP: 6



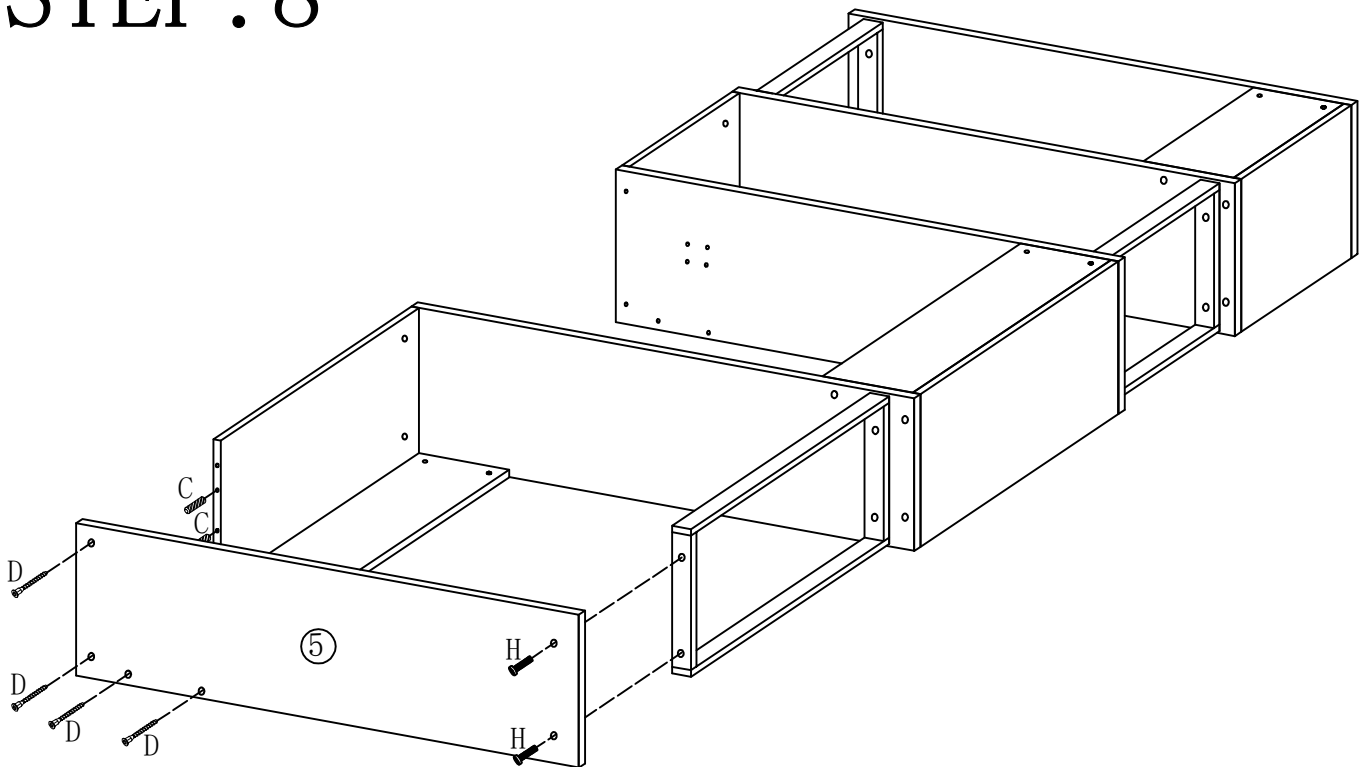
B	X4	C	X4	D	X4
					
ϕ 15X12		ϕ 8X30		ϕ 7X47	


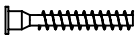

STEP: 7



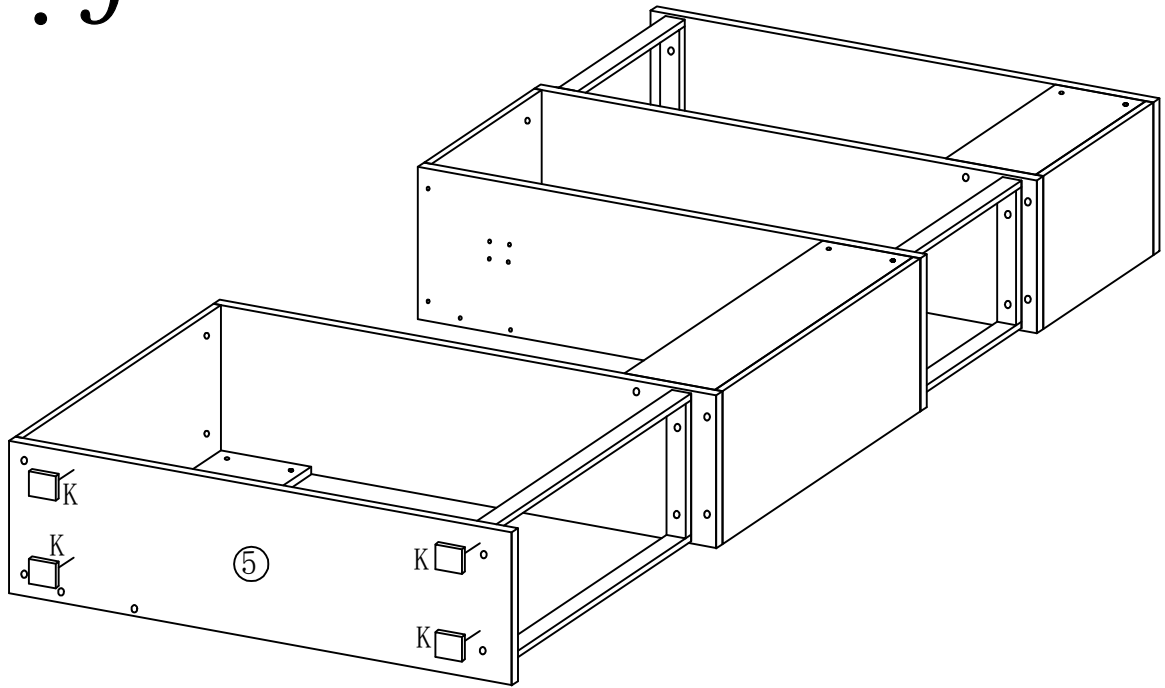
B	X4	C	X2	H	X2
					
ϕ 15X12		ϕ 8X30		M6*22mm	


STEP: 8



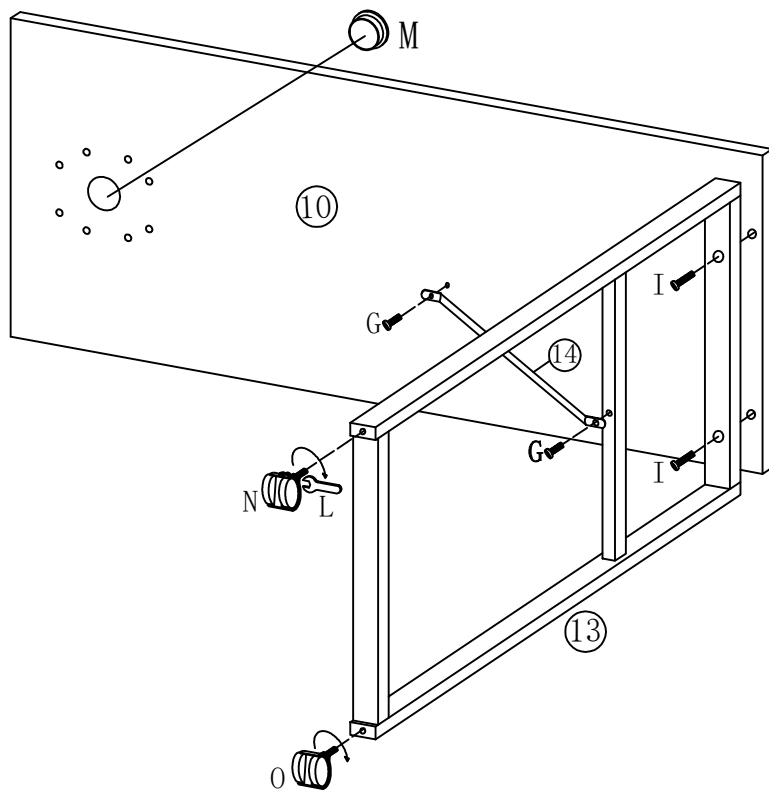
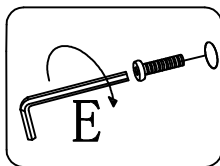
C	X2	D	X4	H	X2
					
ϕ 8X30		ϕ 7X47		M6*22mm	







STEP: 9



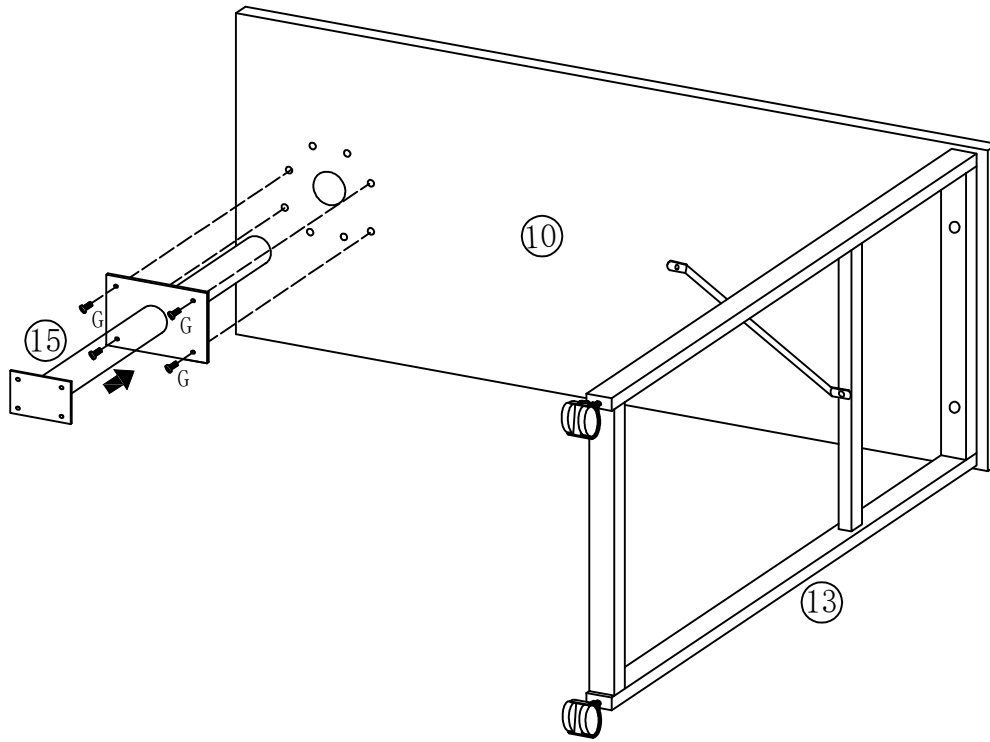
K	X4
	
45*45*5mm	


STEP: 10



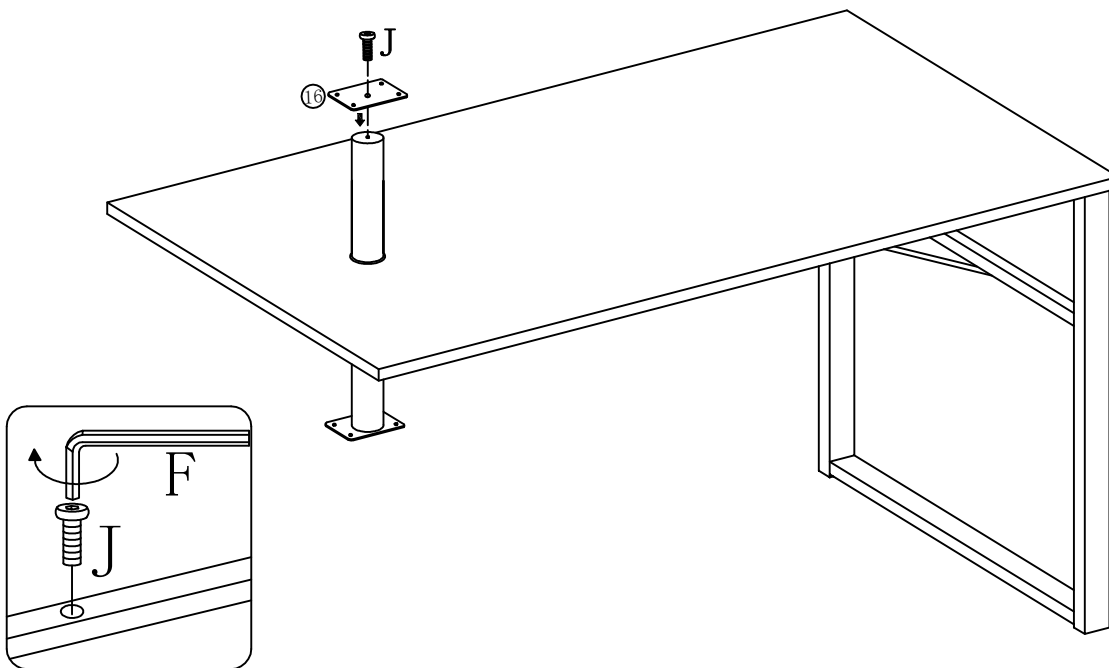
G	X2	I	X2	L	X1	M	X1	N	X1	O	X1
											
M6*12mm		M6*30mm		开口: 12mm		φ 62mm		M8		M8	



STEP: 11



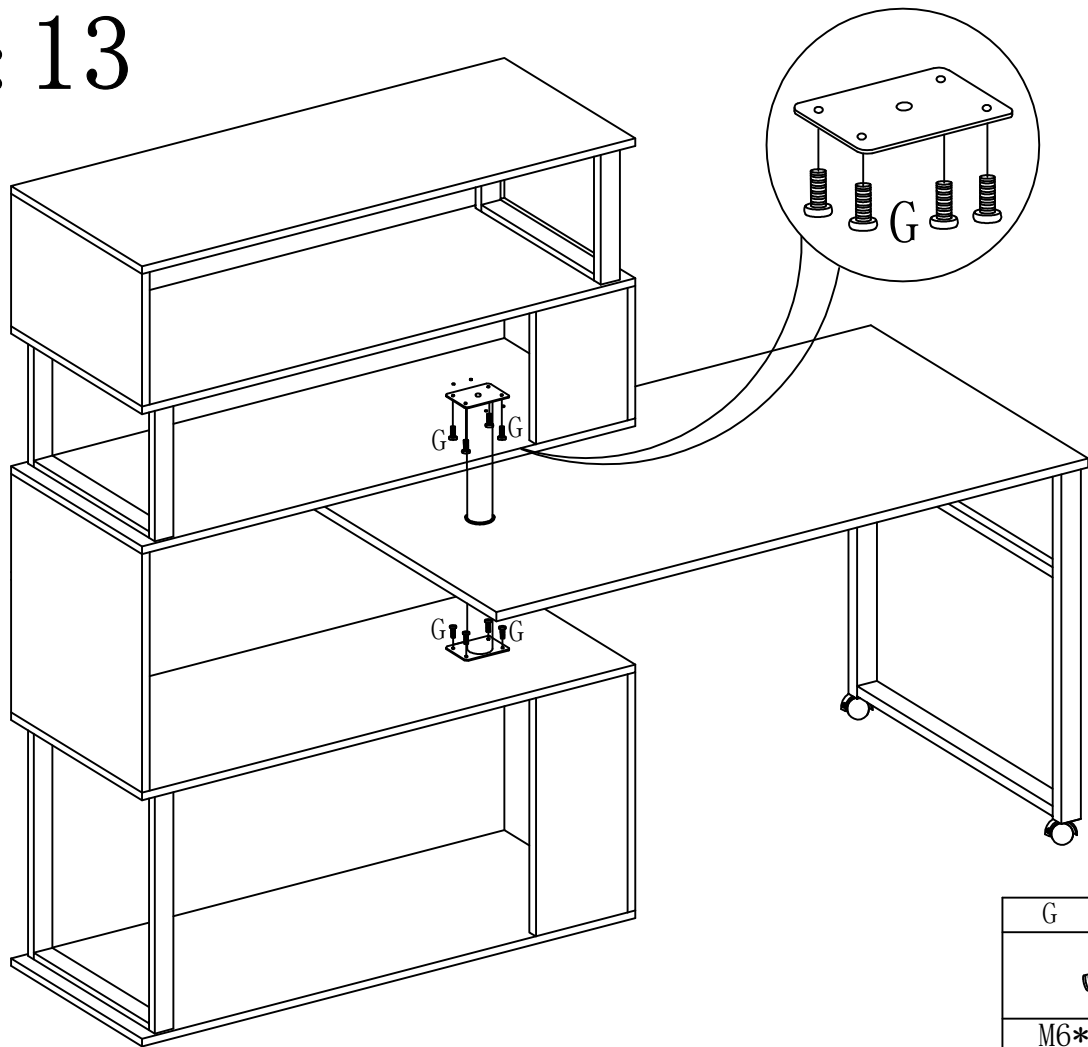
G	X4
	
M6*12mm	


STEP: 12



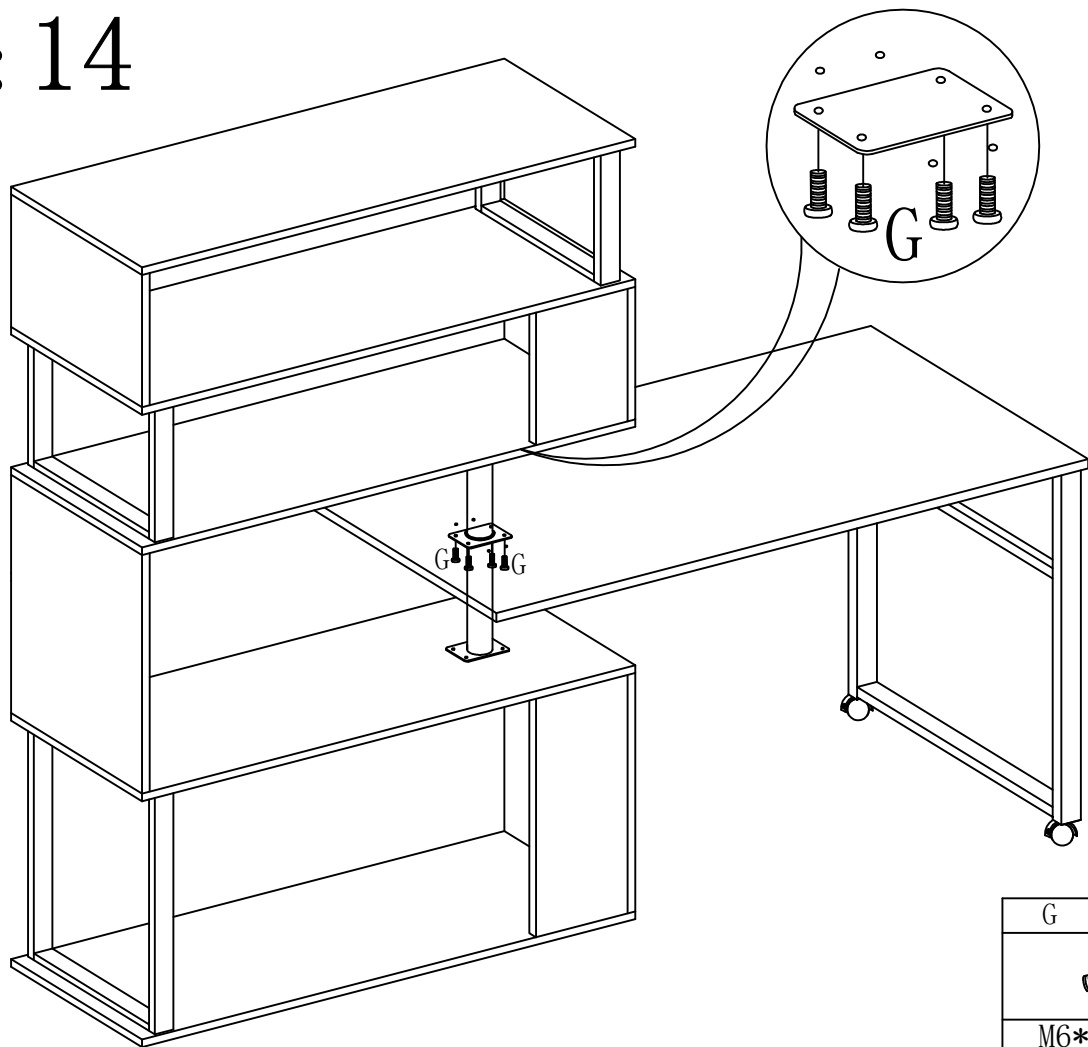
F	X1	J	X1
			
M5X55		M8*30mm	


STEP: 13



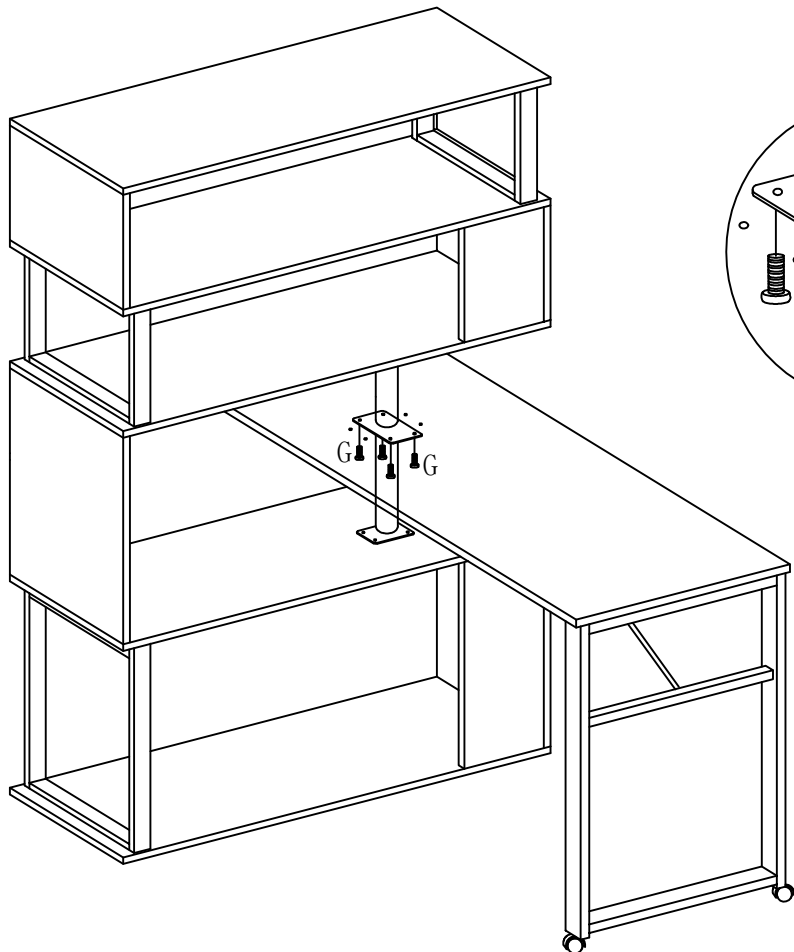
G	X8
	
M6*12mm	


STEP: 14



G	X4
	
M6*12mm	

STEP: 15



G	X4
	
M6*12mm	

STEP: 16

