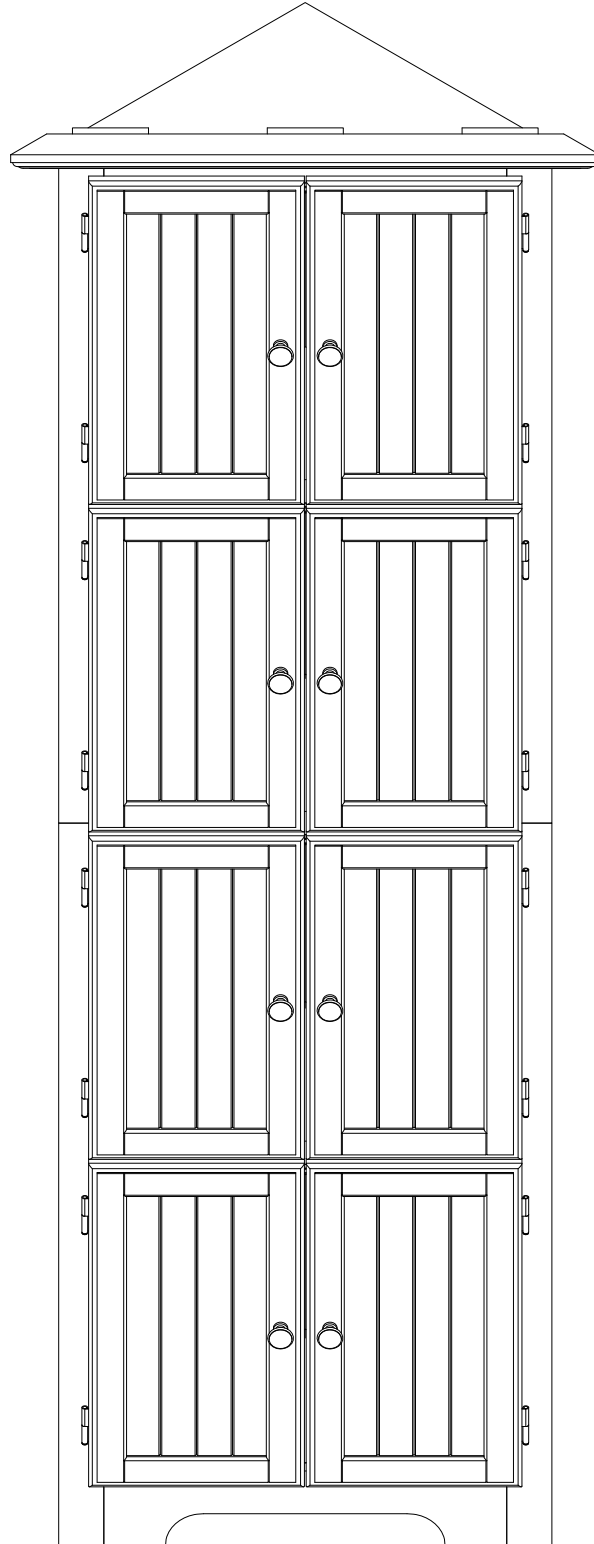
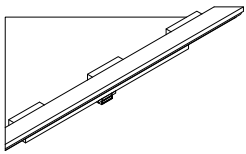
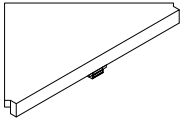
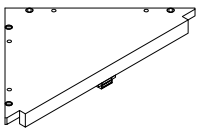
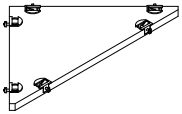
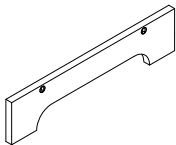
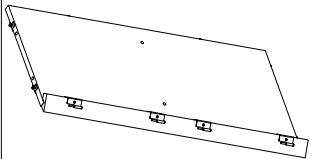


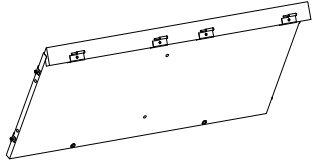
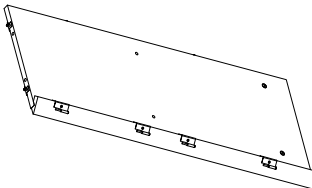
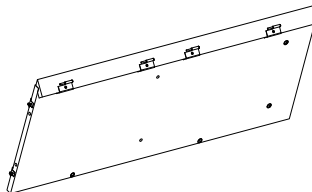
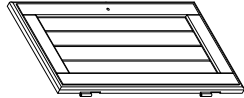
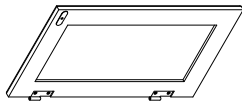
CORNER CABINET ASSEMBLY INSTRUCTIONS




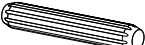

Part List:

ITEM	DESCRIPTION	PART	QTY
1	Top		1
2	Shelf		2
3	Middle panel		1
4	Bottom		1
5	Apron		1
6	Upper left side		1




Part List:

ITEM	DESCRIPTION	PART	QTY
7	Upper right side		1
8	Lower left side		1
9	Lower right side		1
10	Left door		4
11	Right door		4

Hardware List:

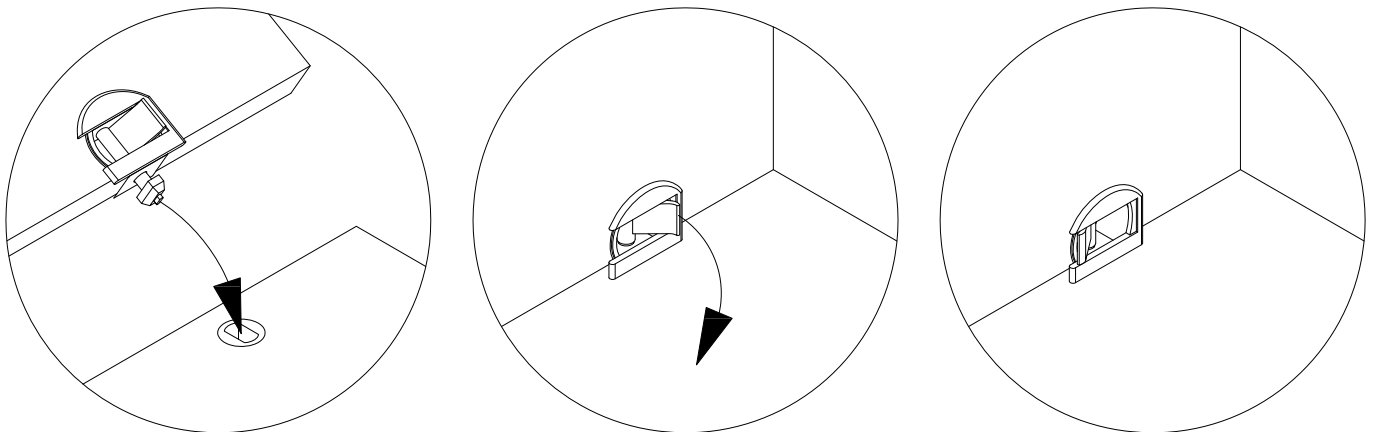
ITEM	DESCRIPTION	PART	QTY
A	Short wooden dowel	 $\Phi 8*30\text{mm}$	12
B	Long wooden dowel	 $\Phi 8*40\text{mm}$	4
C	Plastic anchor		1

Hardware List:

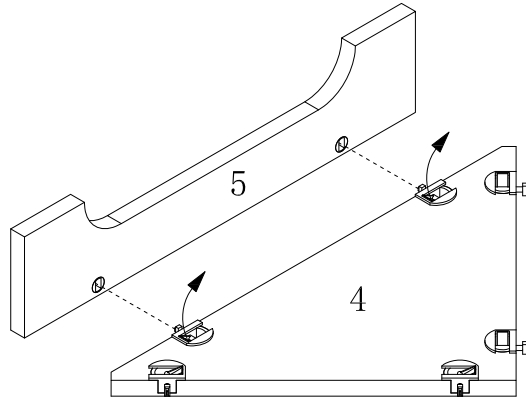
ITEM	DESCRIPTION	PART	QTY
D	Mounting screw	 $\Phi 4*38\text{mm}$	1
E	Flat washer		1
F	Knob		8

- * Required screwdriver & mallet, not included.
- * Before discarding packing materials, please check to make sure that all parts and hardware is present.
- * Two people needed for assembly.
- * Please follow the instructions closely; do not over tighten screws or bolts unless instructed.
- * After a few days from initial assembly, the product may have acclimated to the new environment. Please retighten the hardware.


Guideline For Assembling of Plastic Lock

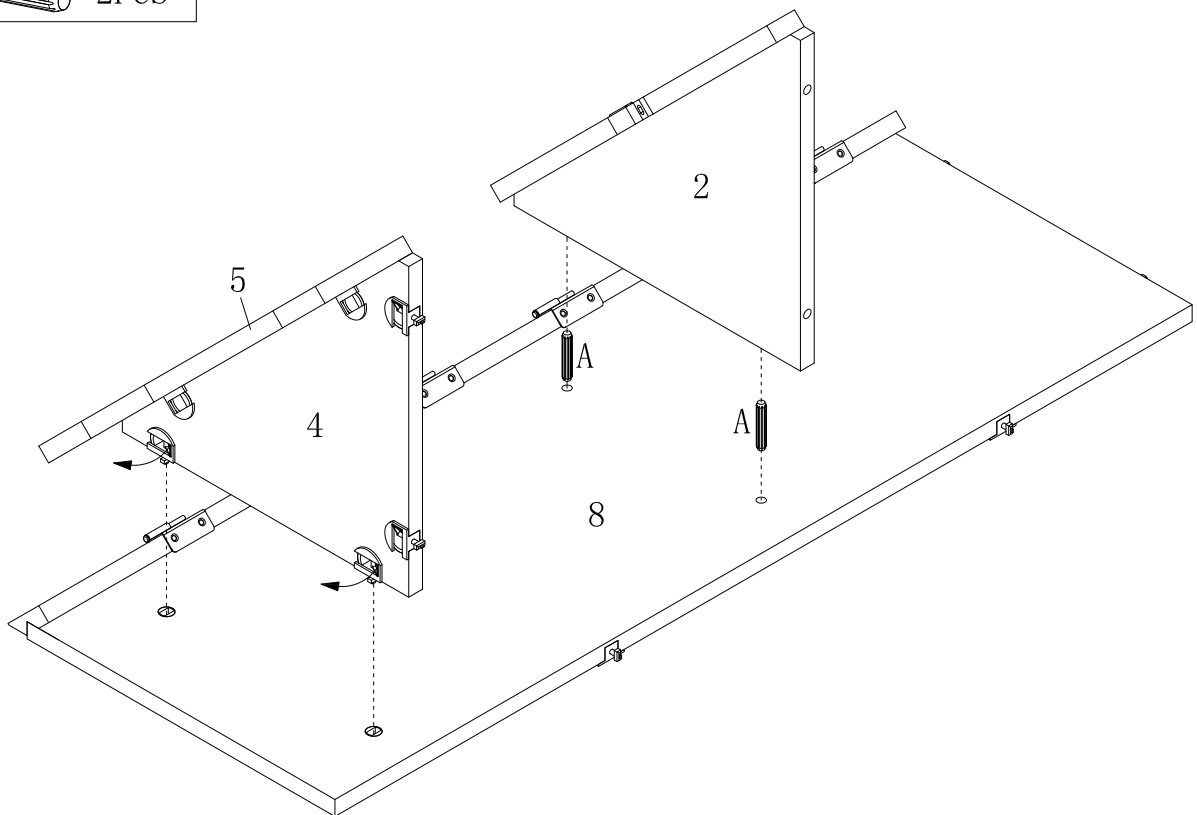


STEP 1




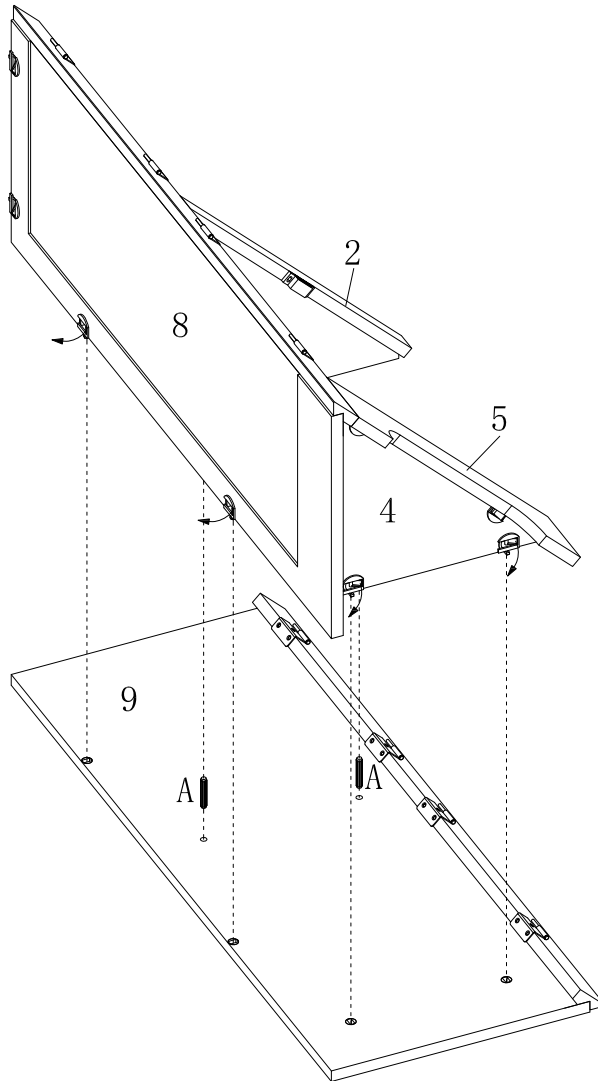
STEP 2

A:  2PCS

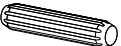


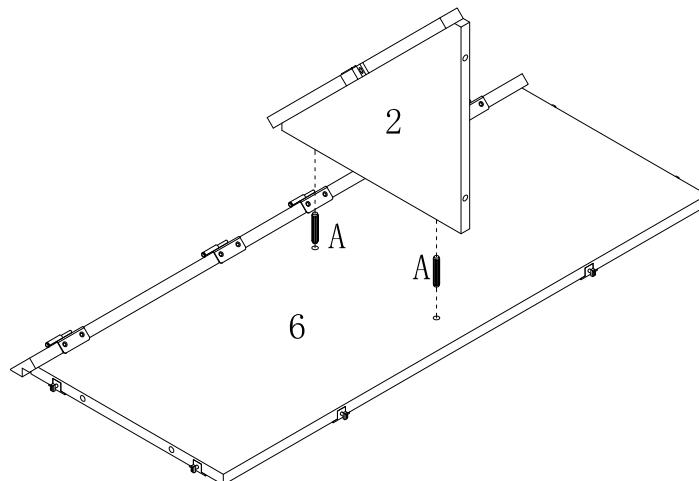
STEP 3

A:  2PCS




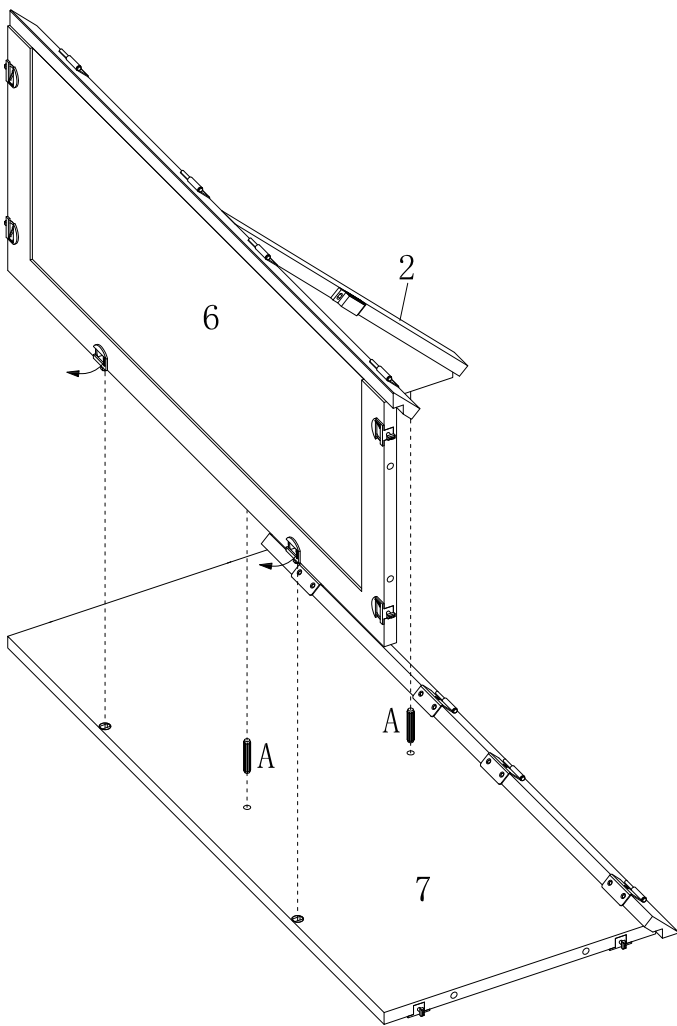
STEP 4

A:  2PCS




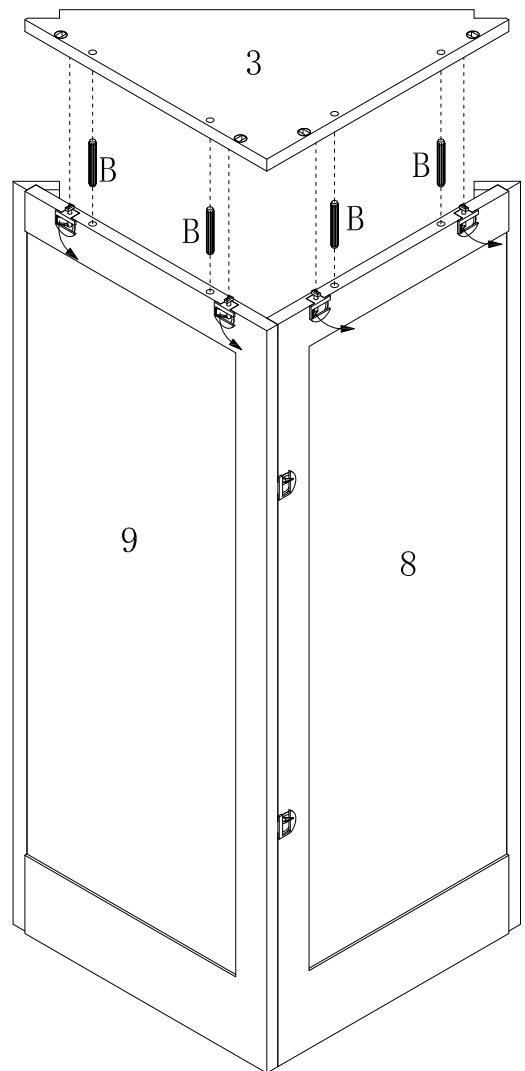
STEP 5

A:  2PCS

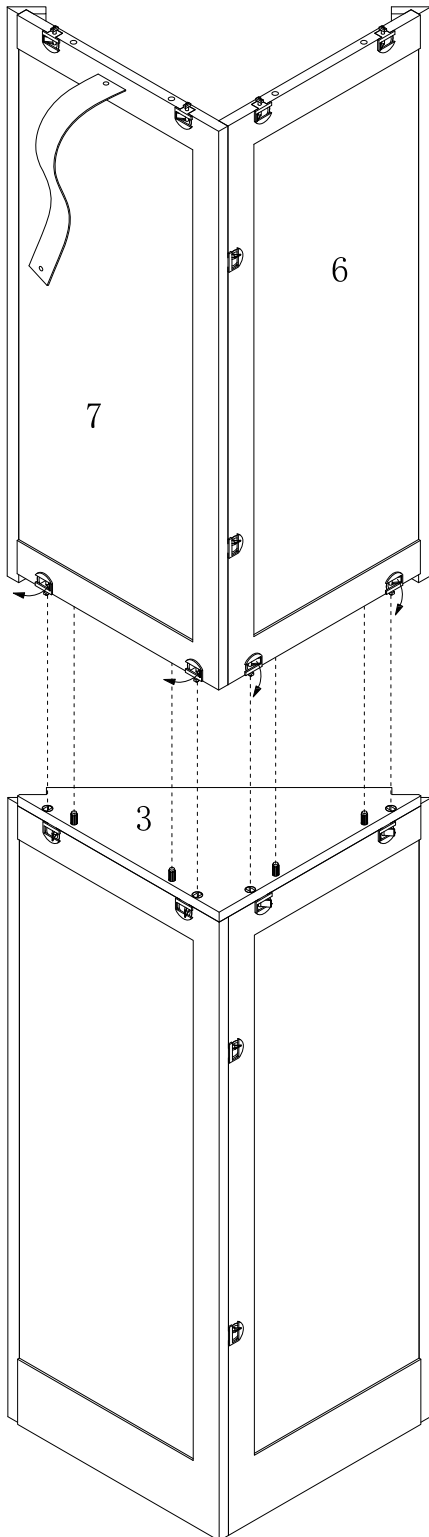


STEP 6

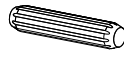
B:  4PCS

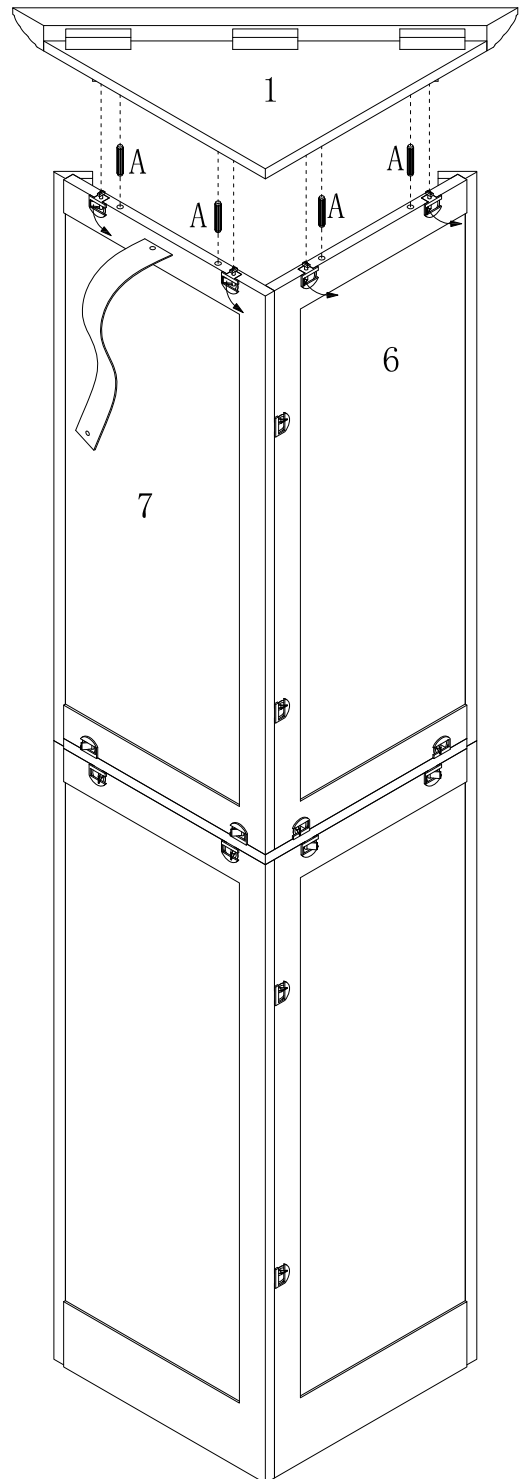


STEP 7

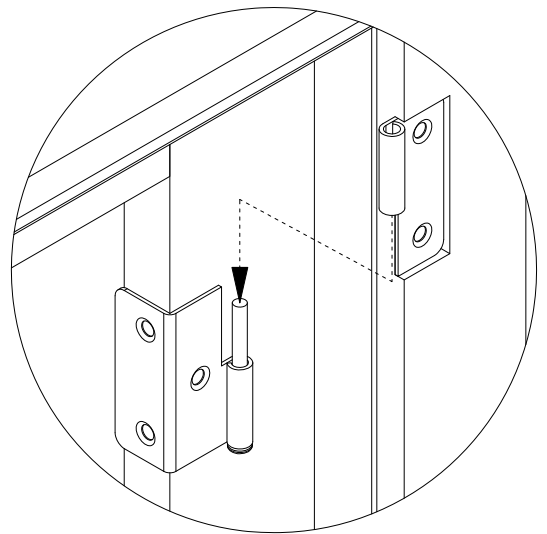
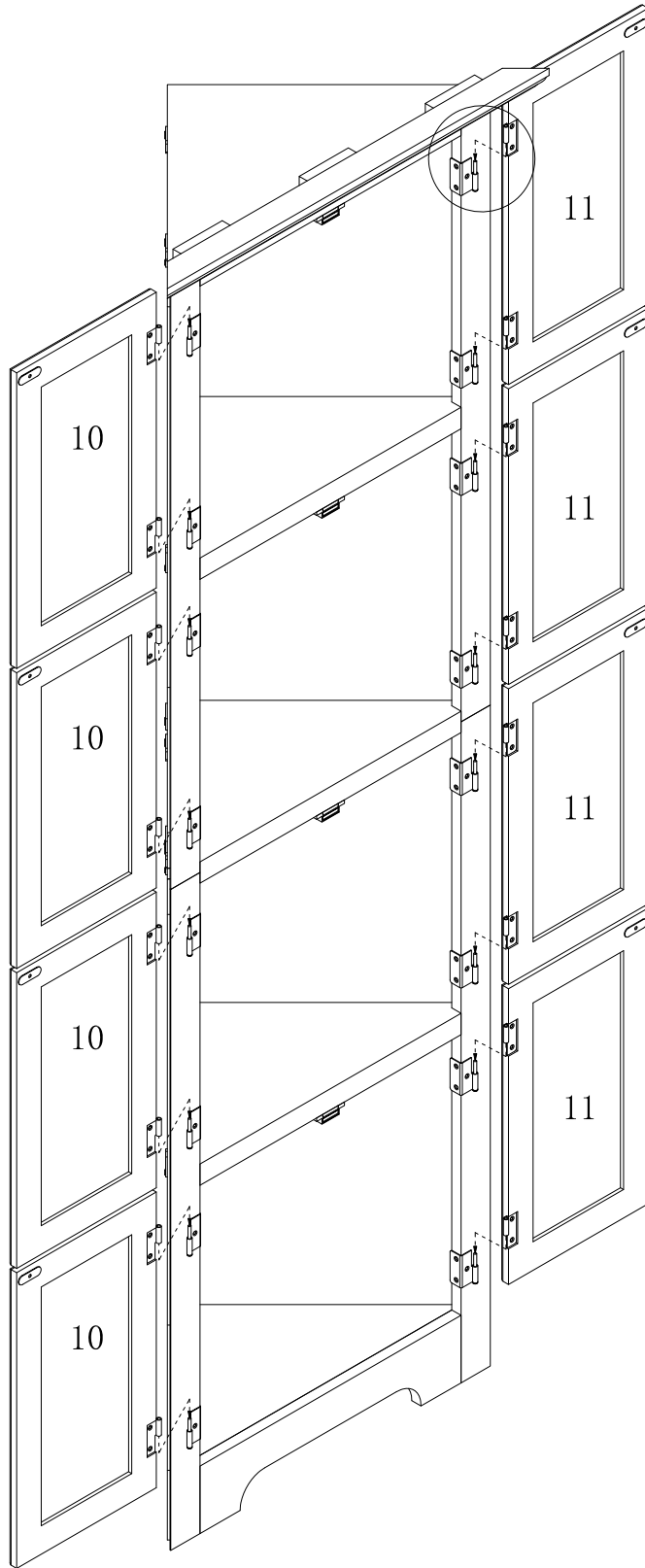


STEP 8





A:  4PCS



STEP 9



STEP 10

C:		1PC
D:		1PC
E:		1PC
F:		8PCS

