

INSTALLATION MANUAL



M6646

IMPORTANT NOTICE



- ⚠ Ensure the pipes are clear and flush or blow out debris before installation to prevent blockages.
- Please read this manual carefully before installation.
- For installation videos, please scan the QR code on instruction manual.
- Ensure all parts are included before starting the assembly.
- For replacement parts, please contact us using the contact information in the footer.

LIFETIME LIMITED WARRANTY

EVERSTEIN, a brand committed to the highest standards of quality and craftsmanship, provides a Lifetime Limited Warranty for its shower systems. This warranty is applicable to the original purchaser and covers defects in material or manufacturing workmanship, proof of purchase will be required in the case of a claim.

For manufacture defects, EVERSTEIN will, at its option, (1) replace the defective part or product free of charge, (2) refund the original purchase price of the product (valid for 30 days from the date of delivery).

EVERSTEIN recommends installation by a licensed professional plumber. EVERSTEIN is not responsible for any damage or product failure caused by improper installation, misuse or failure to use a licensed professional.

WARRANTY COVERAGE EXCLUSIONS:

This warranty does not cover defects or damage caused by the use of non-EVERSTEIN original parts. Furthermore, any damage resulting from faulty installation, product abuse, improper use, or the use of abrasive cleaners or solvents is not covered by this warranty. Labor charges and/or damage incurred during installation, repair, or replacement are also not the responsibility of EVERSTEIN.

LIMITATIONS OF LIABILITY:

Except as required by law, this warranty replaces all other warranties, conditions, and guarantees, whether expressed or implied, statutory or otherwise, including but not limited to merchantability or suitability. In certain states, provinces, and countries, the exclusion or limitation of incidental or consequential damages may not apply.

RESPONSIBILITIES OF OTHERS

Inspecting the unit prior to installation is the responsibility of the installer or building contractor who acts on behalf of the user. They are responsible for ensuring the unit is free of defect or damage. In the event of a problem, the unit must not be installed. EVERSTEIN is not responsible for failures or damage that could have been discovered, repaired, or avoided by proper inspection and testing prior to installation.

Damage occurring in transit is the responsibility of the carrier. The user or installer MUST open the crate and inspect the unit for damage when it is delivered. If damage is discovered, it must be reported immediately to the EVERSTEIN and the carrier in writing.

WARRANTY SERVICE NOTE

When requesting warranty, be sure to have the following:

- Copy of original invoice
- Date of installation
- Description and pictures of defect
- Model number or description of model

To obtain warranty service and replacement part, please contact EVERSTEIN Customer Service Team. EVERSTEIN will determine whether to repair or replace your product, issue a refund.

CONTENT

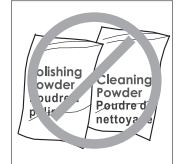
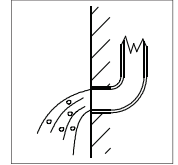
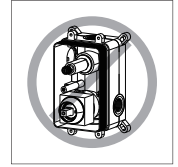
1. Two-function Rain Shower System----- (1-7)

CONTENIDO

1. Sistema de Ducha de Lluvia de Dos Funciones----- (8-14)

◆ Installation and Maintenance Matters

1. Check the accessories list to verify that all parts are complete in this package.
2. Do not disassemble the main body by yourself.
3. Connect inlet pipes to supply valves.
4. Make sure inlet pipes and supply valves have no impurities and are cleaned, with no impurities in the pipeline.
5. After installation, check all joints for leakages.
6. Do not leave the rain shower system exposed to a severely corrosive environment.



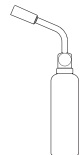
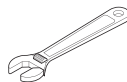
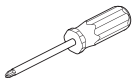
Do's

1. In order to keep the mixer surface bright, please clean the mixer regularly.
2. Rinse the faucet with clean water and wipe it with a soft cotton cloth.
3. Use one of the following cleaners to remove dirt from the surface: a. Mild liquid cleaner. b. Colorless glass cleaner and powder cleaner that do not cause abrasion and can be dissolved completely. c. Polish liquid that does not cause abrasion.

Don'ts

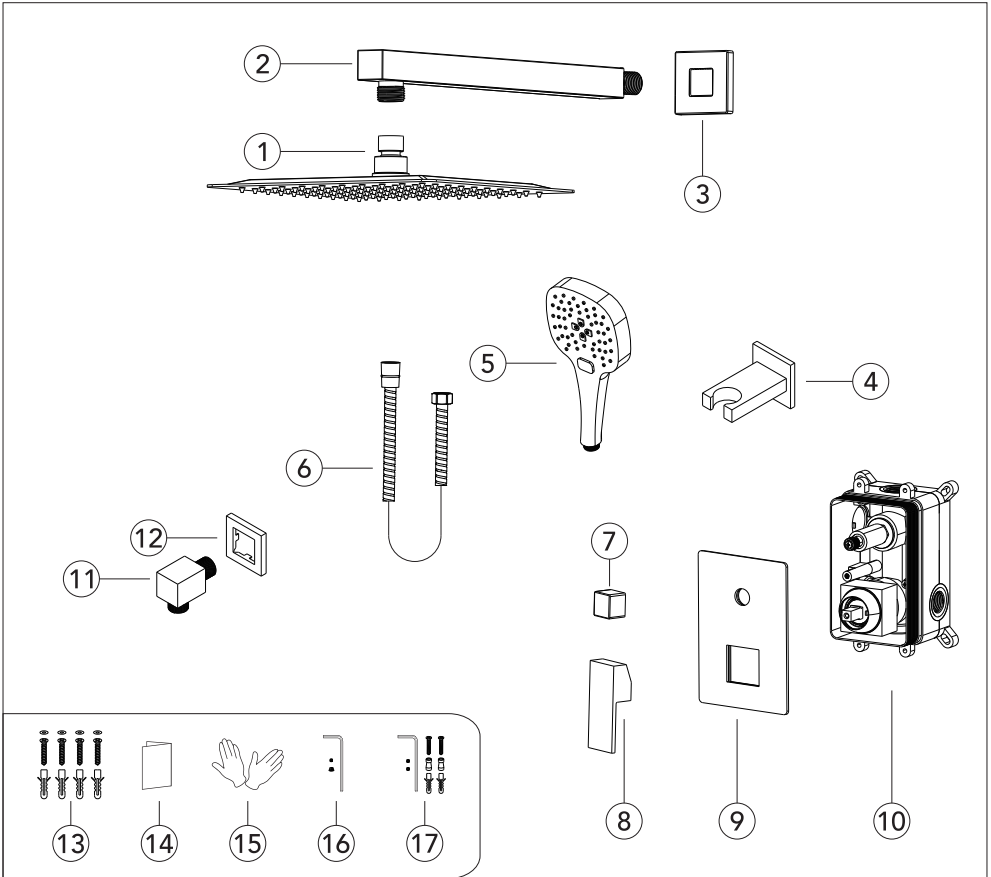
- a. Avoid using cleaning powder, harsh cleaning chemicals, brushes and coarse cloth to prevent scratching and friction.
- b. Do not use acid cleaners to clean the faucet as they may cause surface corrosion of the faucet. If the faucet is exposed to harmful acid substances, please rinse it immediately with water.

Tools Needed:



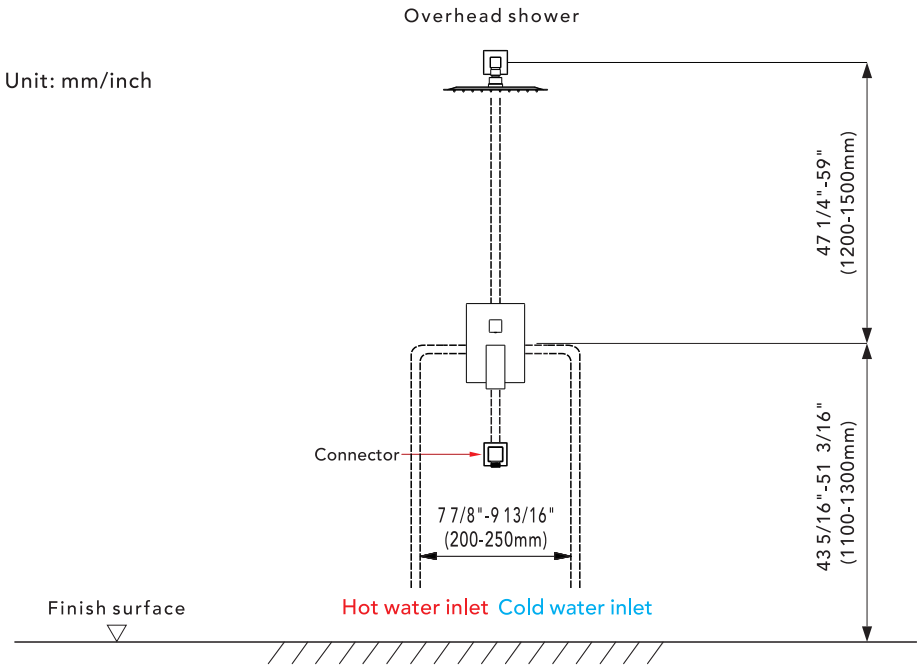
◆ Two-function Rain Shower System

Accessories List

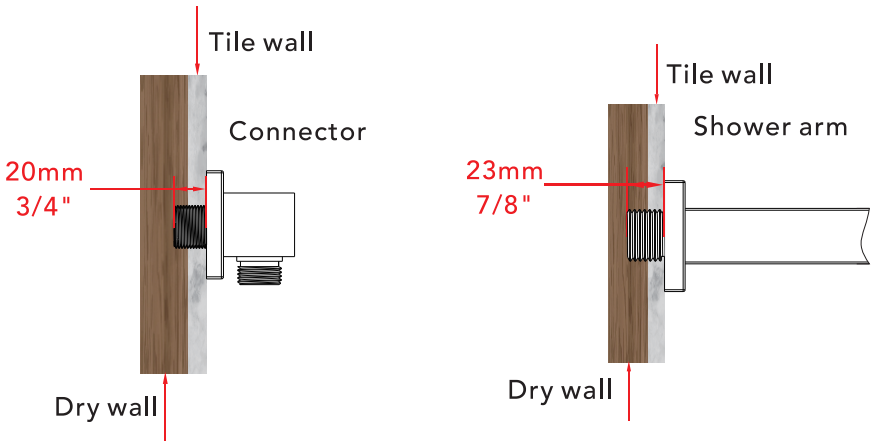


No.	Part name	Qty	No.	Part name	Qty
1	Shower head	1	10	Main body	1
2	Shower arm	1	11	Connector	1
3	Shower arm flange	1	12	Connector flange	1
4	Hand shower holder	1	13	Main body spare parts	4
5	Hand shower	1	14	Instruction manual	1
6	Shower hose	1	15	Gloves	2
7	Water diverter	1	16	Handle parts	1set
8	Handle	1	17	Shower holder parts	1set
9	Deck plate	1			

◆ Essential Dimensions & Water Pipe Line



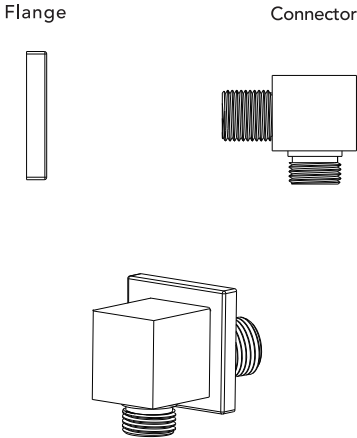
◆ Installation Depth of the Connector and Shower Arm



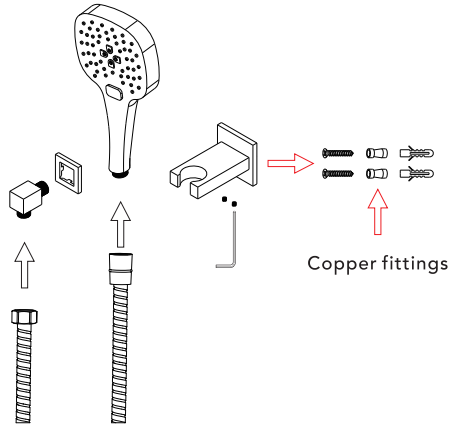
The thickness of the tile must be calculated for installation.

Connector size of male thread: USA: 1/2"-14NPT, Canada: 1/2"-14NPT, Europe: G1/2".

◆ Hand Shower Holder Installation



Install the connector flange under the connector, and then tighten it into the wall using the plumber's tape.

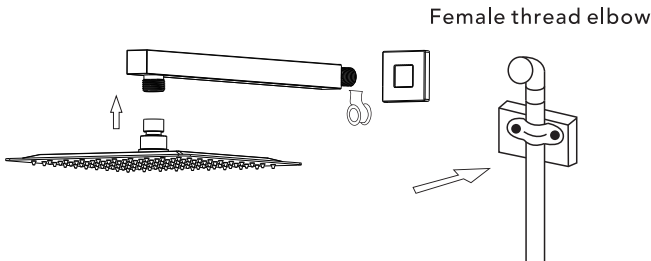


Step 1. First, use anchors to screw the hand shower holder into the wall.

Step 2. Remove the two screws from the hand shower holder.

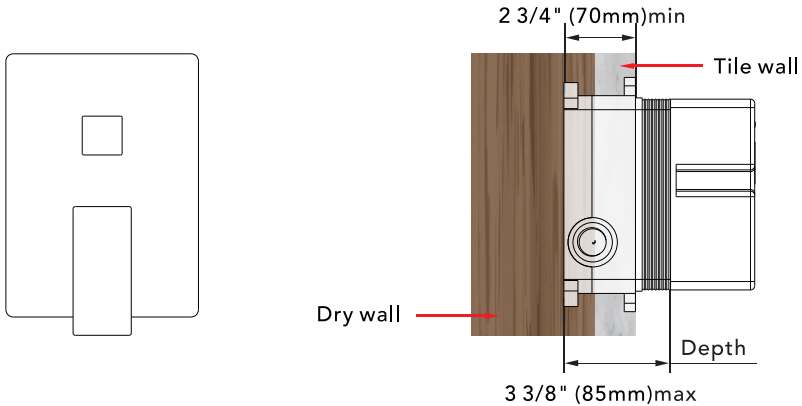
Step 3. Insert the hand shower holder into the pre-installed copper fittings on the wall, then secure the shower seat with the two screws you removed earlier.

◆ Overhead Shower Installation



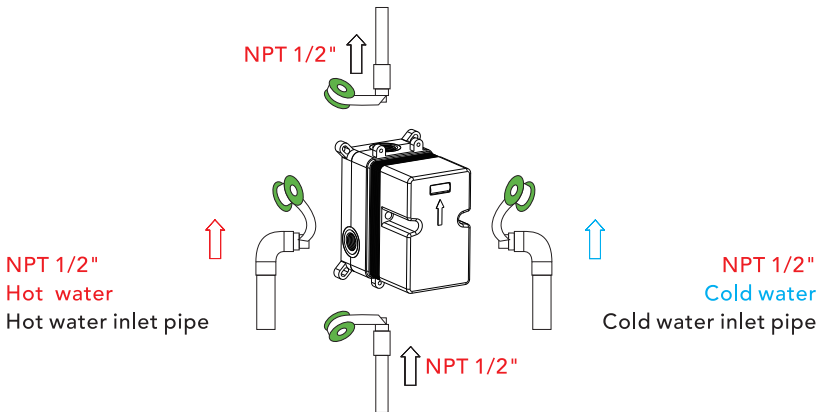
1. Connect shower arm with the flange before screwing arm into riser connection to prevent damage.
2. Fix shower head onto shower arm and apply tape to pipe threads on both ends.
3. Do not over tighten shower head. It is 360° swivel connection.

◆ Installation Depth of the Main Body



- Notice: 1. The installation depth of the main body should be no less than 2 3/4" (70mm) and no more than 3 3/8" (85mm), including the thickness of the tile. Otherwise, the deck plate cannot be installed.
2. The opening size of ceramic tile shall be smaller than the deck plate size.

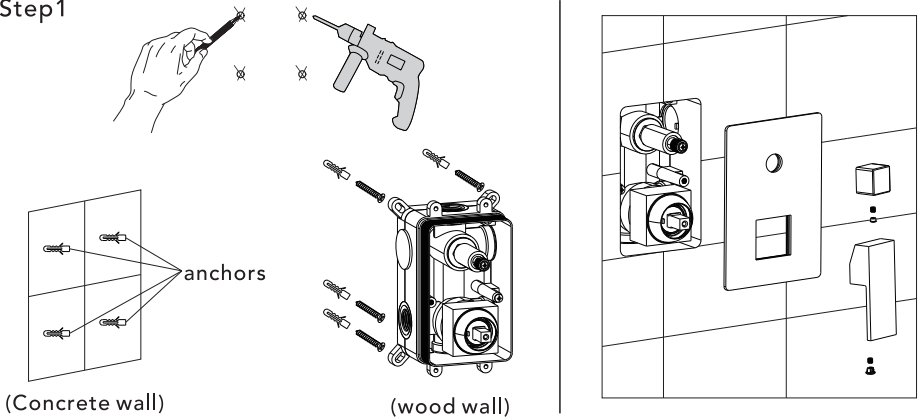
◆ Piping Instructions Before Tiling



1. As shown in the figure, the inlet and outlet pipes are pre-buried. Please pay attention to the correct direction when installing the pre-buried main body.
2. Before tiling, turn on the water to test whether the left and right inlet pipes are tightly connected without leakage. Then, adjust the flow switch to the "on" position to check for leaks in the mixed outlet pipes.

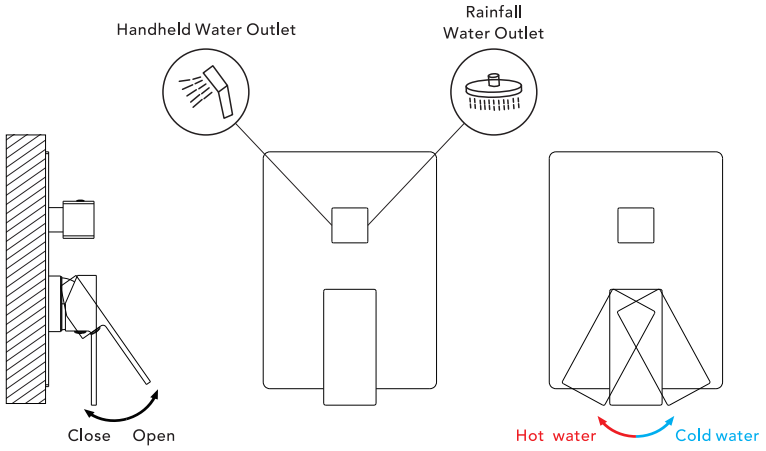
◆ Main Body Valve Installation

Step1



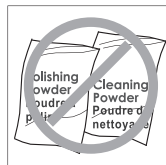
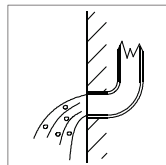
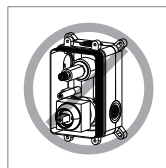
1. Make marks according to the size of the main body valve, and then drill anchors into the wall (concrete wall).
 2. Lock the main body to wood directly with screws (wood wall).
 3. When installing the main body, please mark the UP side up and do not install it upside down.
- ▲ Please note that the level meter should be parallel to the wall; otherwise, the deck plate cannot be installed.

◆ Main Body Water Outlet Switch Control



◆ Instalación y cuestiones de mantenimiento

1. Verifique la lista de accesorios para comprobar que todas las partes están completas en este paquete.
2. No desmonte el cuerpo principal por sí mismo.
3. Conecte las tuberías de entrada a las válvulas de suministro.
4. Asegúrese de que las tuberías de entrada y las válvulas de suministro no tengan impurezas y estén limpias, sin impurezas en la tubería.
5. Después de la instalación, revise todas las juntas en busca de fugas.
6. No deje el sistema de ducha expuesto a un ambiente severamente corrosivo.



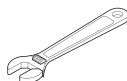
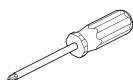
Hacer

1. En para mantener la superficie de la batidora brillante, limpie el mezclador regularmente.
2. Inse el grifo con agua limpia y límpielo con un suave ropa de algodón.
3. Use uno de los siguientes limpiadores para eliminar la suciedad de la superficie:
A. Mild Liquid Cleaner.
B. Cleaner de vidrio sin color y limpiador de polvo que no causar abrasión y se puede disolver por completo.
C. Polish Líquido que no causa abrasión.

No es decir

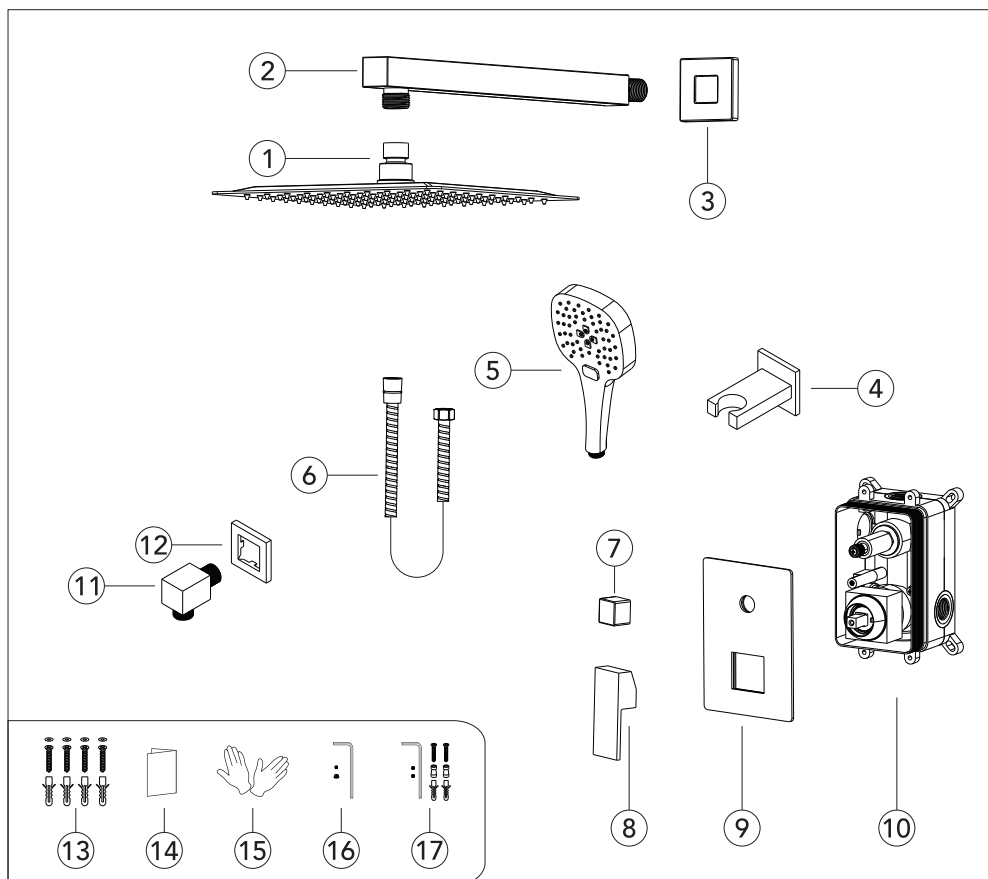
- A. Valte con polvo de limpieza, productos químicos de limpieza duros, cepillos y tela gruesa para evitar rasgar y fricción.
- B. No use limpiadores de ácidos para limpiar el grifo, ya que pueden causar corrosión superficial del grifo. Si el grifo está expuesto a sustancias ácidas dañinas, enjuague inmediatamente con agua.

HERRAMIENTAS NECESARIAS:



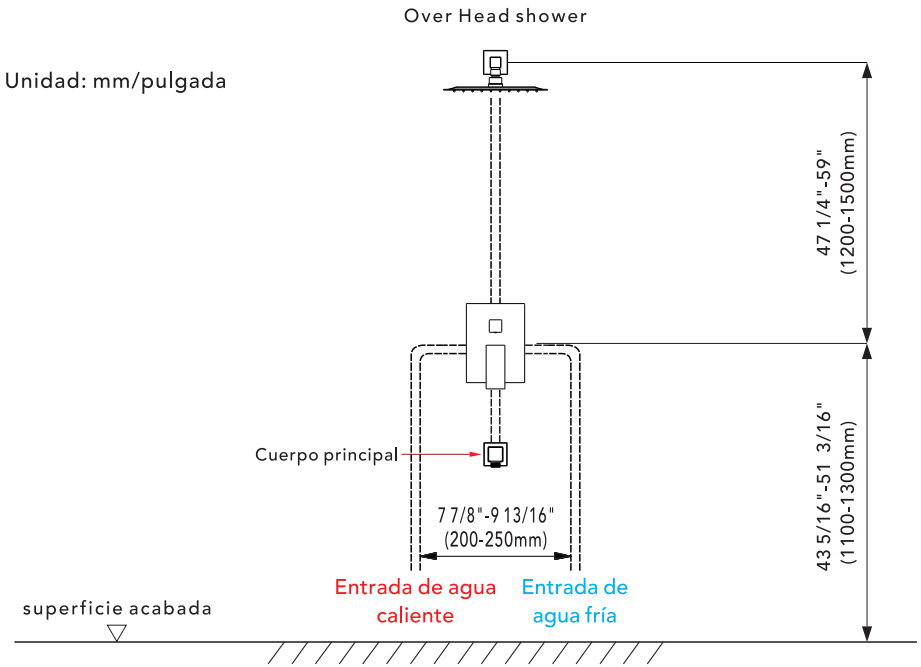
◆ Sistema de Ducha de Lluvia de Dos Funciones

Lista de Accesorios

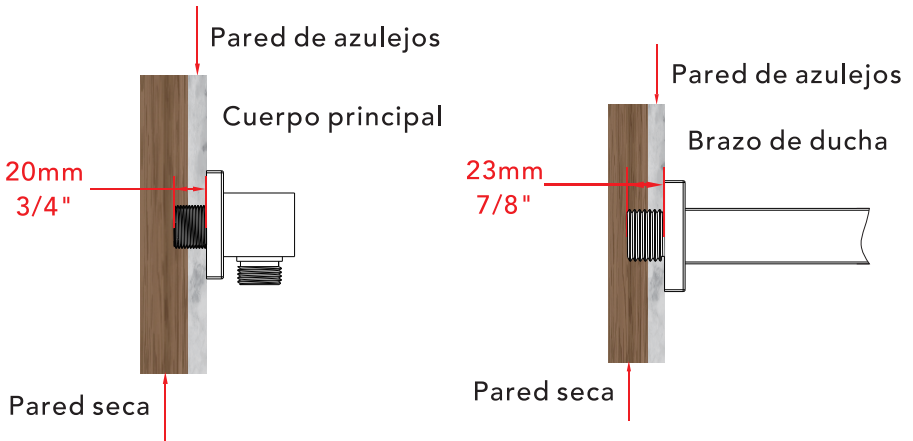


N.º	Nombre de la pieza	Cantidad	N.º	Nombre de la pieza	Cantidad
1	Alcachofa de la ducha	1	10	Cuerpo principal	1
2	Brazo de ducha	1	11	Conector	1
3	Taza de brazo de ducha	1	12	Taza	1
4	Asiento fijo de ducha	1	13	Piezas de repuesto del cuerpo principal	4
5	Ducha de mano	1	14	Manual de instrucciones	1
6	Manguera de ducha	1	15	guantes	2
7	Desviador de agua	1	16	Partes del mango	1 juego
8	manija	1	17	Partes del soporte de ducha	1 juego
9	placa de cubierta	1			

◆ Dimensiones esenciales & línea de tubería de agua



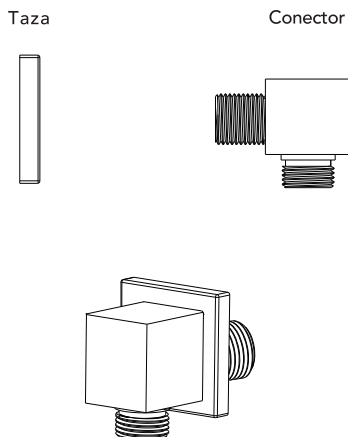
◆ Profundidad de instalación del conector y el brazo de ducha



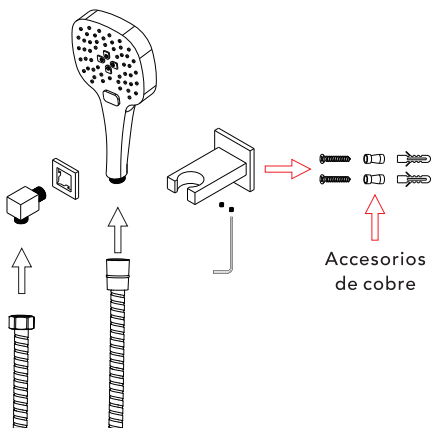
El grosor del azulejo debe ser calculado para la instalación.

Tamaño del conector de rosca macho: EE. UU.: 1/2"-14NPT, Canadá: 1/2"-14NPT, Europa: G1/2".

◆ Instalación del soporte de ducha de mano



Instala la cubierta decorativa debajo del surtidor de agua, y luego apriétala contra la pared usando la cinta impermeable.

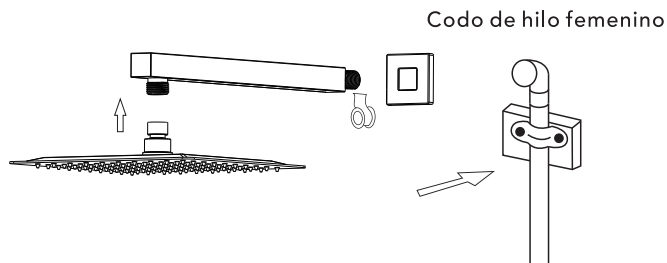


Paso 1. Primero, usa anclajes para atornillar el soporte del tubo en la pared.

Paso 2. Retira los dos tornillos del asiento de la ducha.

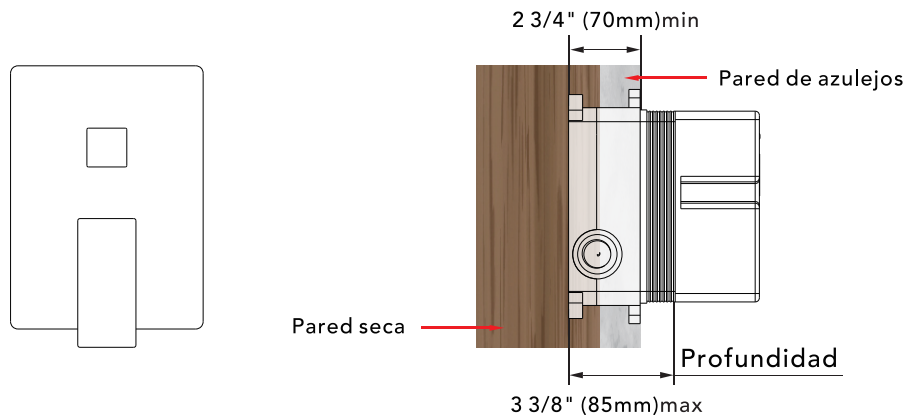
Paso 3. Inserta el asiento de la ducha en los accesorios de cobre preinstalados en la pared, luego asegura el asiento de la ducha con los dos tornillos que retiraste anteriormente.

◆ Instalación de la ducha superior



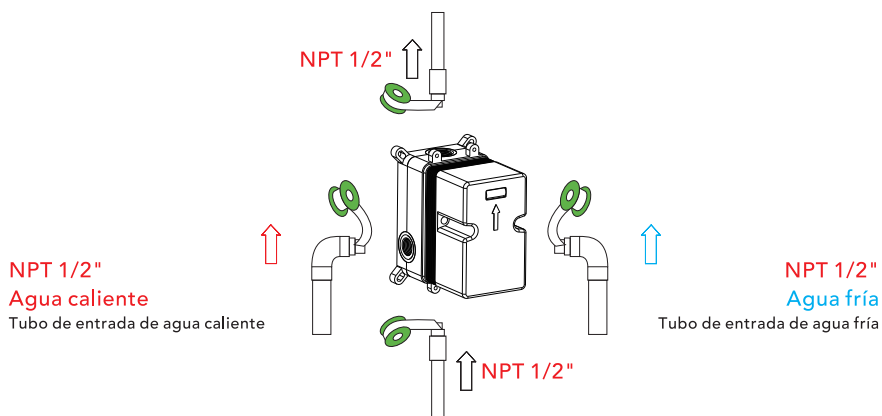
1. Conecte el brazo de la ducha con la cubierta antes de atornillar el brazo en la conexión del elevador con prevenir el daño.
2. Fije el cabezal de la ducha en el brazo de la ducha y aplique cinta adhesiva para las roscas de tubos en ambos extremos.
3. No revolotee la cabeza de ducha. Es una conexión giratoria de 360 °.

◆ Profundidad de Instalación del Cuerpo Principal



- Aviso: 1. La profundidad de instalación del cuerpo principal no debe ser inferior a 2 3/4" (70mm)min y no más de 3 3/8" (85mm)max, incluyendo el grosor del azulejo. De lo contrario, la placa de cubierta no podrá ser instalada.
2. El tamaño de apertura del azulejo cerámico debe ser menor que el tamaño de la placa de cubierta.

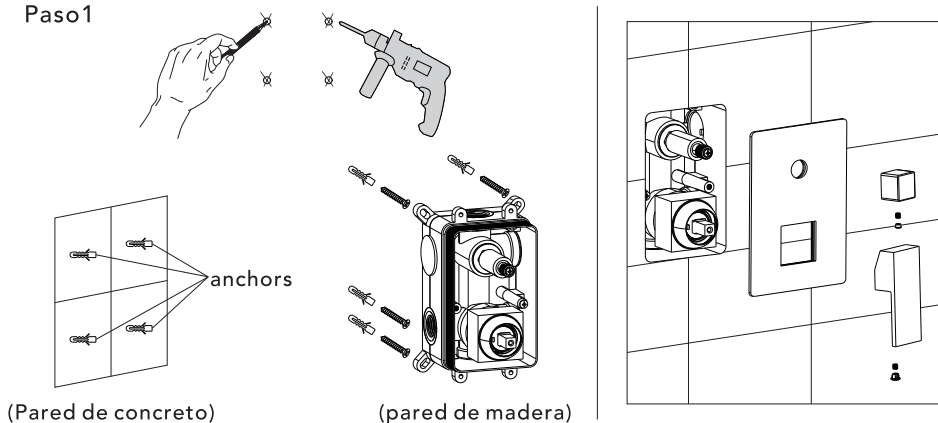
◆ Instrucciones de Tubería Antes de Colocar Azulejos



1. Como se muestra en la figura, las tuberías de entrada y salida están pre-enterradas. Por favor, preste atención a la dirección correcta al instalar el cuerpo principal pre-enterrado.
2. Antes de colocar los azulejos, abra el agua para probar si las tuberías de entrada izquierda y derecha están conectadas herméticamente sin fugas. Luego, ajuste el interruptor de flujo a la posición "on" para comprobar si hay fugas en las tuberías de salida mezcladas.

◆ Instalación de la Válvula del Cuerpo Principal

Paso 1



1. Marque según el tamaño de la válvula del cuerpo principal y luego perfore para colocar los anclajes en la pared (pared de concreto).
 2. Fije directamente el cuerpo principal a la madera con tornillos (pared de madera).
 3. Al instalar el cuerpo principal, por favor marque el lado UP hacia arriba y no lo instale al revés.
- ▲ Tenga en cuenta que el nivel debe estar paralelo a la pared; de lo contrario, la placa de cubierta no podrá ser instalada.

◆ Control del Interruptor de Salida de Agua del Cuerpo Principal

