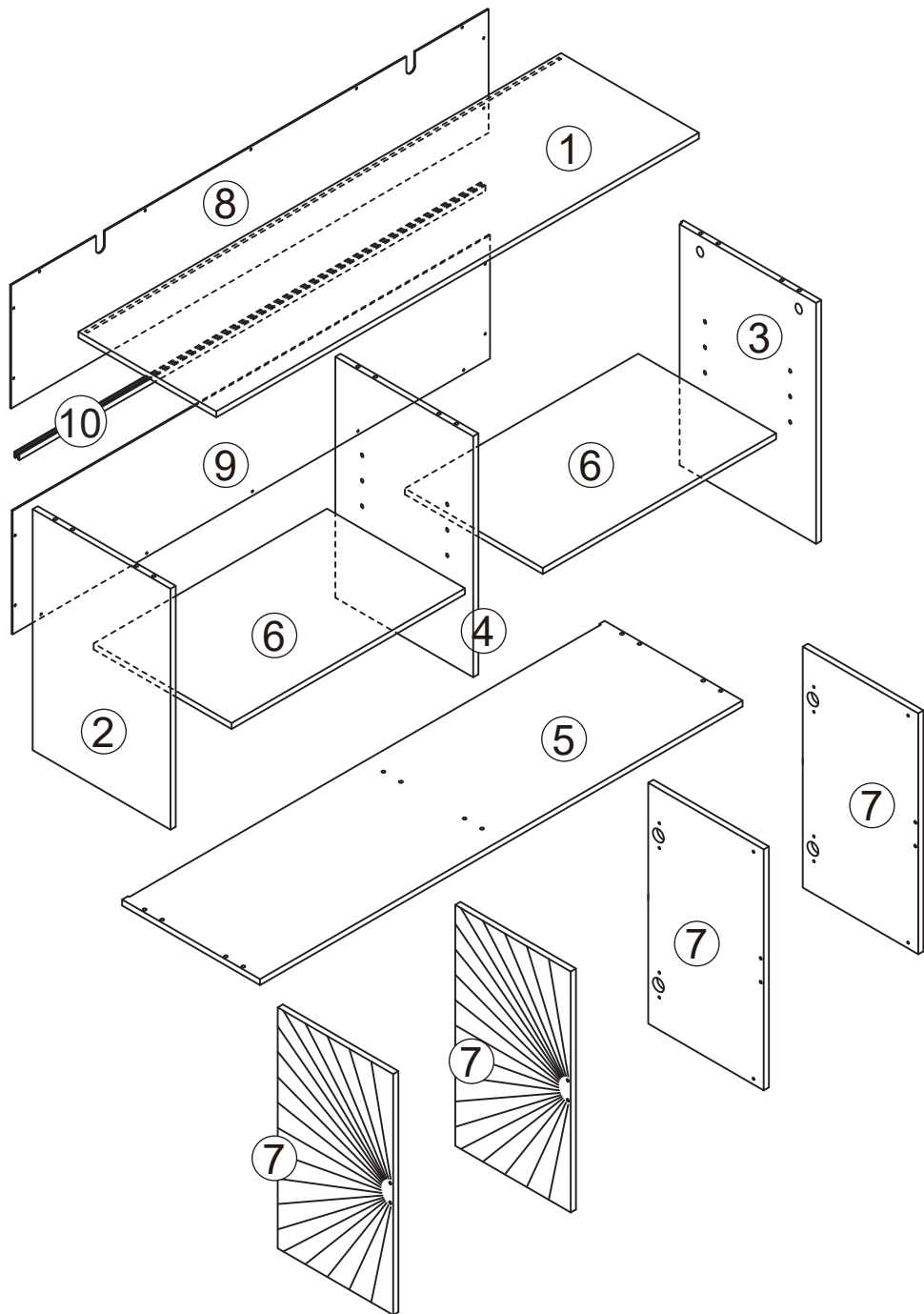
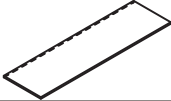
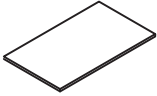


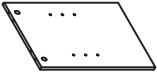



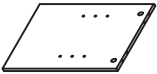



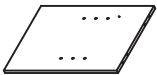
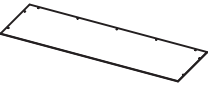


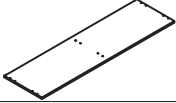








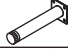







INSTALLATION INSTRUCTIONS

ASSEMBLY DIAGRAM

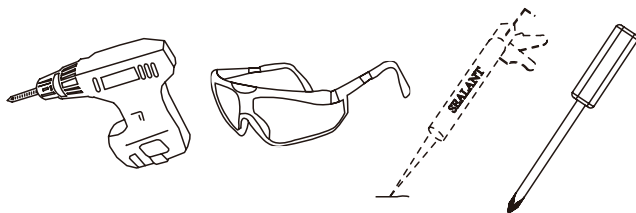


PARTS LIST

No.	Description	QTY	No.	Description	QTY	No.	Description	QTY
1		1	6		2	A	 +1(spare) 6x30mm	12
						B		6
2		1	7		4	C		6
						D		4
3		1	8		1	E	 3x12mm	4
						F		2
4		1	9		1	G	 3x14mm	4
						H		4
5		1	10		1	I		4
						J	 +1(spare) 4x12mm	48
						K		4
						L	 4x18mm	8
						M	 4x35mm	6
						N	 +1(spare) 2.5x10mm	20
						O		8
						P		1
						Q		4
						R	 5x12mm	22
						S		2
						T		2
						U	 3.5x40mm	2




CAUTION: Please confirm the parts list before installation

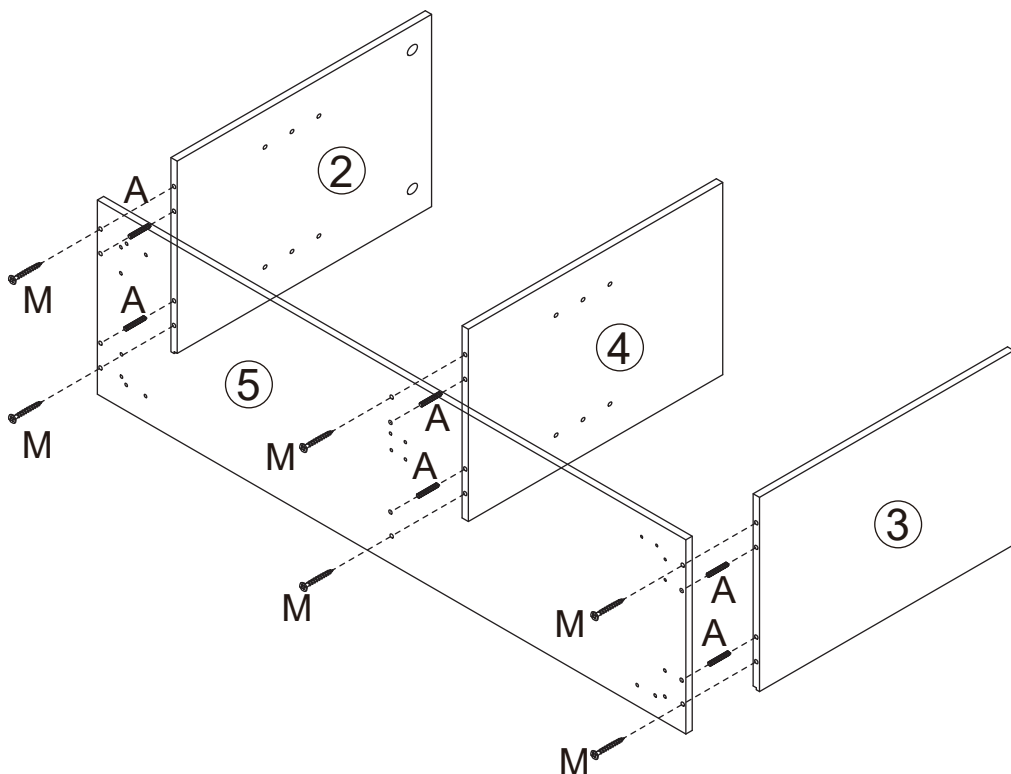
YOU MAY NEED (NOT SUPPLIED)




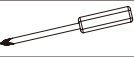


INSTALLATIONS

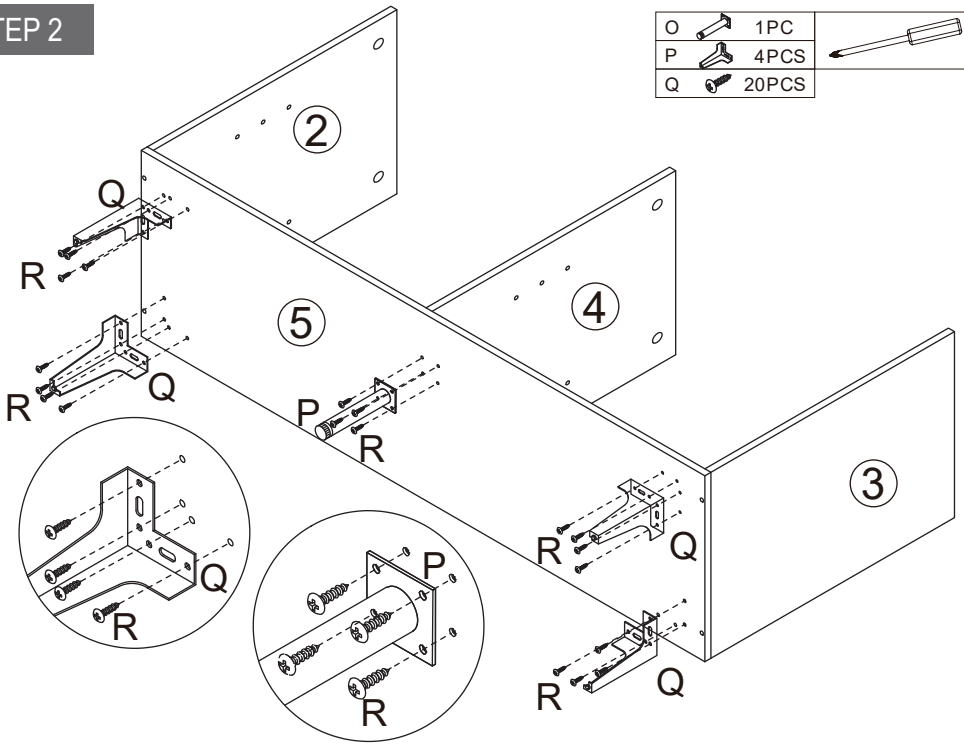
STEP 1

A		6PCS	
M		6PCS	


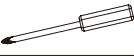






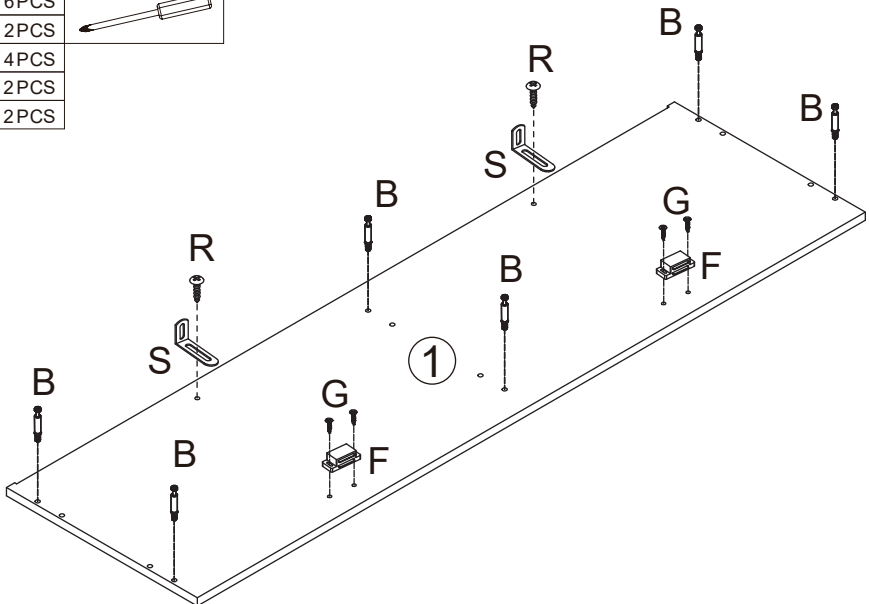
STEP 2

O		1PC	
P		4PCS	
Q		20PCS	



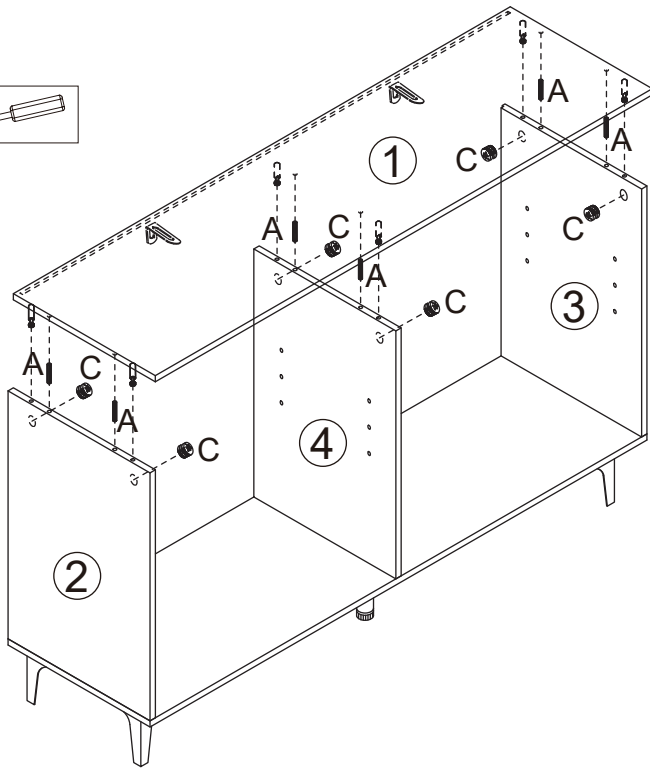
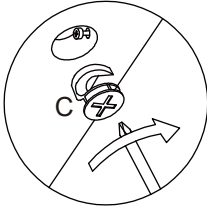
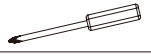
STEP 3

B		6PCS	
F		2PCS	
G		4PCS	
R		2PCS	
S		2PCS	



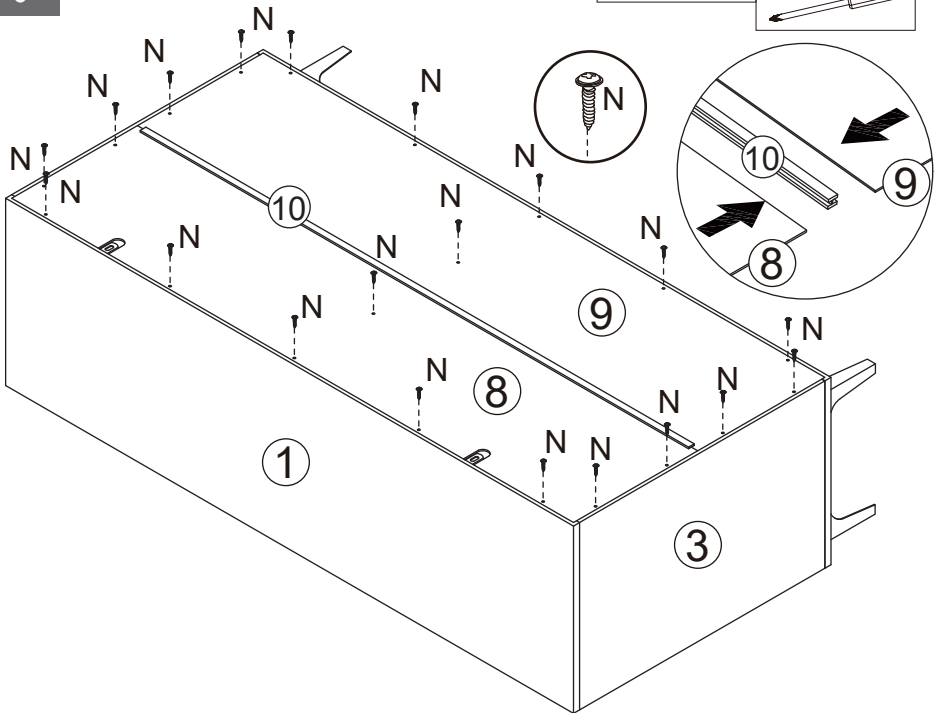
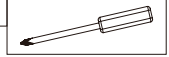
STEP 4

A 6PCS
C 6PCS



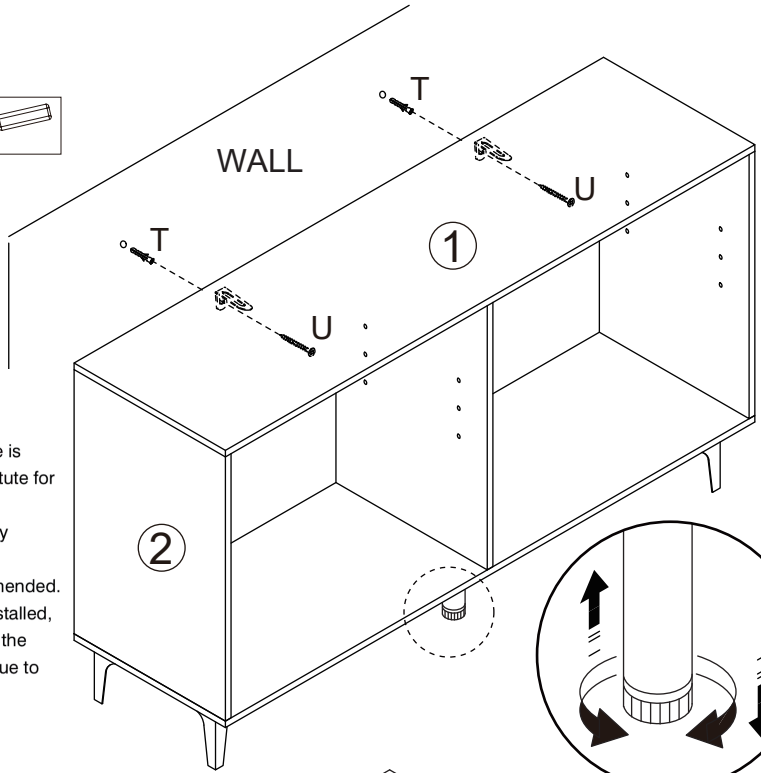
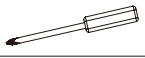
STEP 5

N 20PCS



STEP 6

T		2PCS
U		2PCS

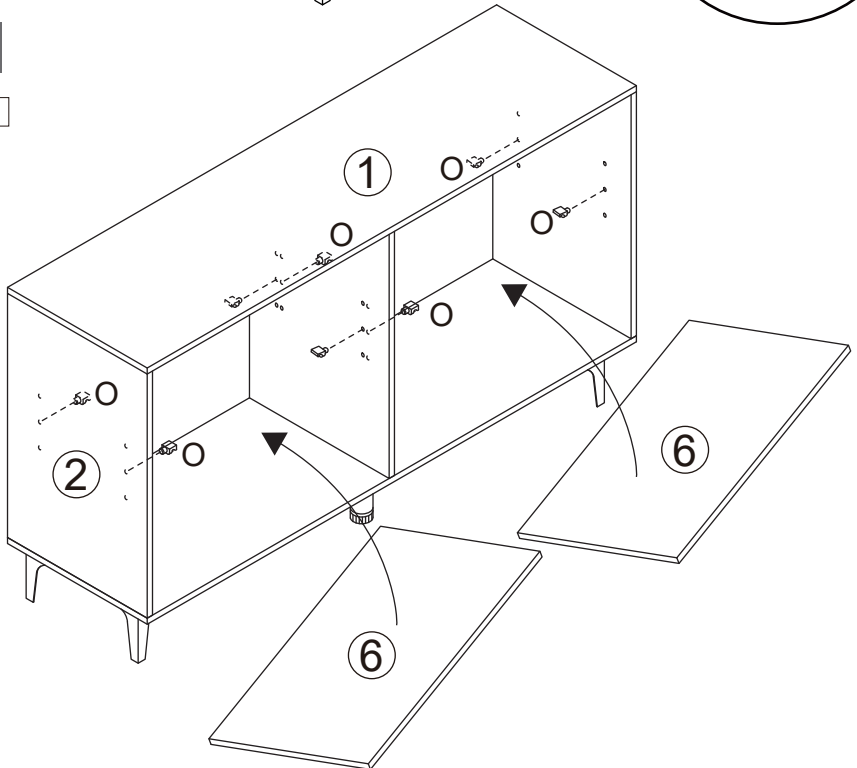


WALL

WARNING: Anti-tipping hardware is only a deterrent. It is not a substitute for proper adult supervision. Young children may be injured by tipping furniture and the use of a tipping restraint is highly recommended. This hardware, when properly installed, could provide protection against the unexpected tipping of furniture due to improper use.

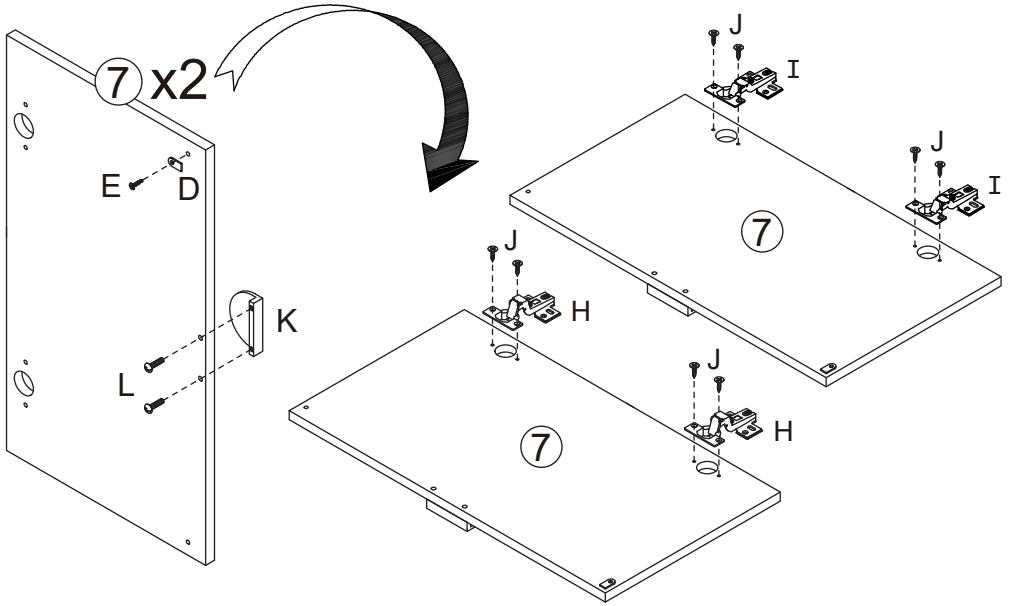
STEP 7

O		8PCS
---	--	------



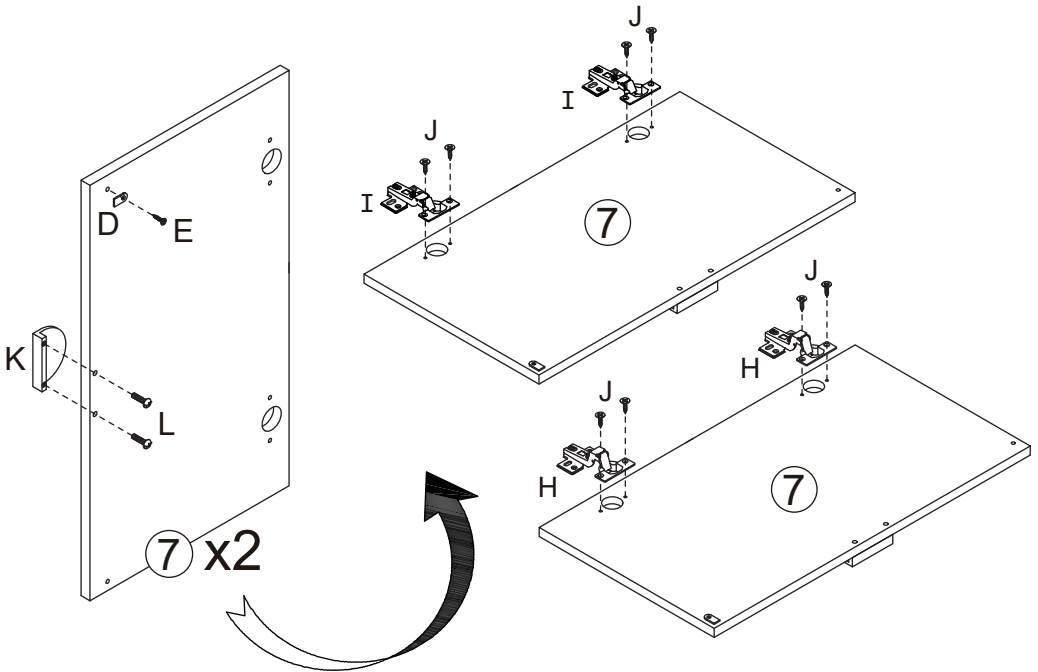
STEP 8

D  2PCS	E  2PCS	H  2PCS	I  2PCS	
J  8PCS	K  2PCS	L  4PCS		



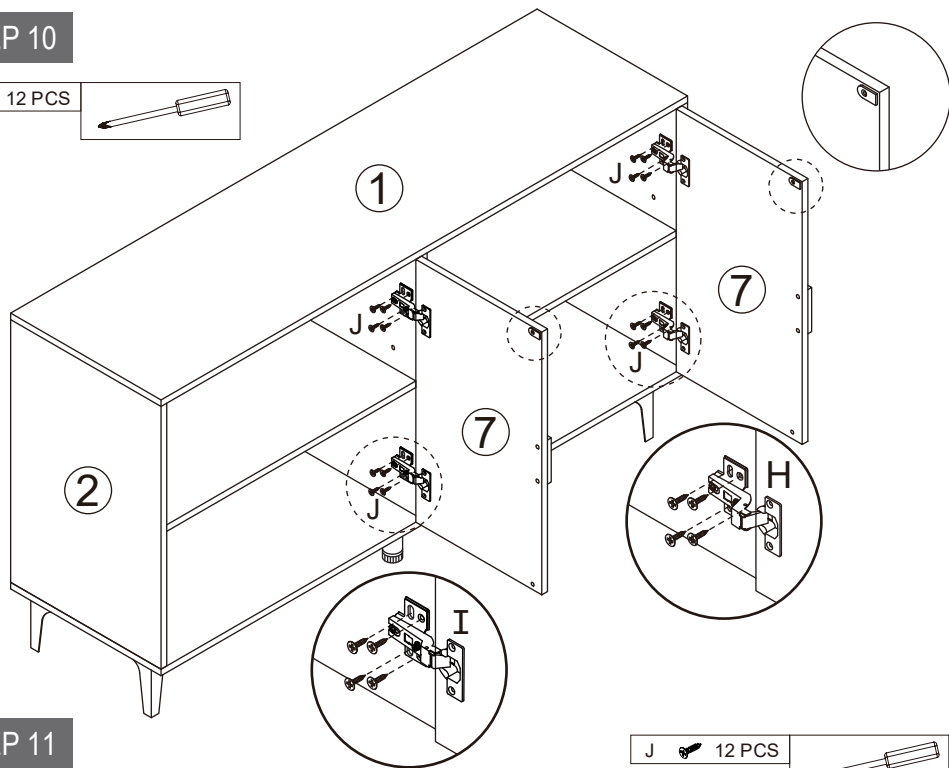
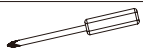
STEP 9

D  2PCS	E  2PCS	H  2PCS	I  2PCS	
J  8PCS	K  2PCS	L  4PCS		




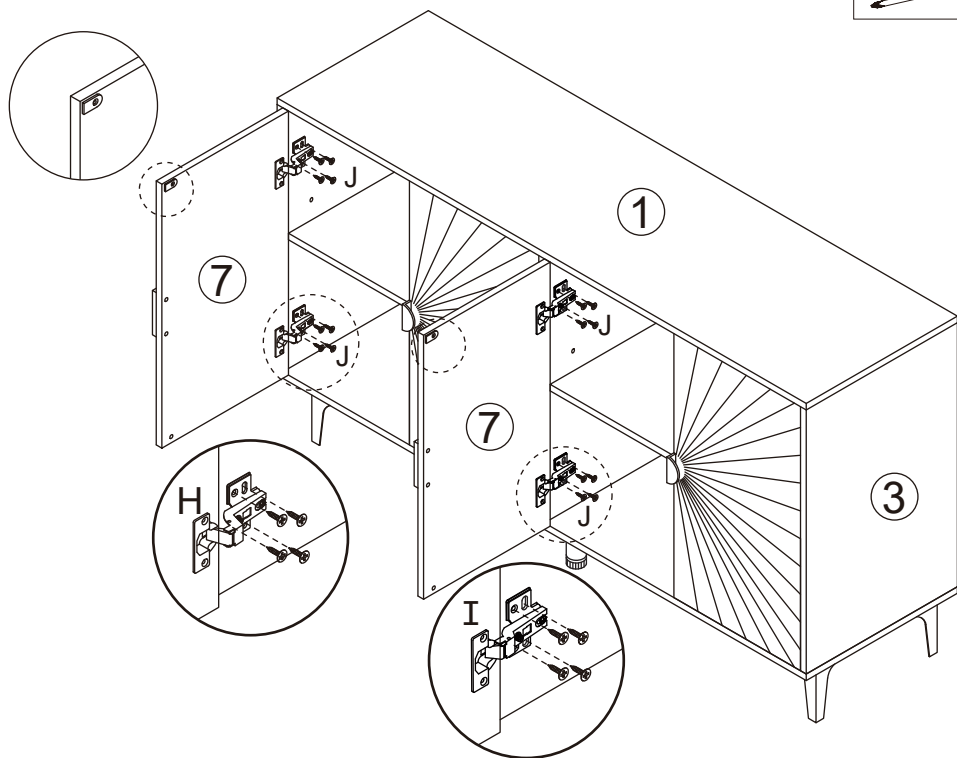
STEP 10

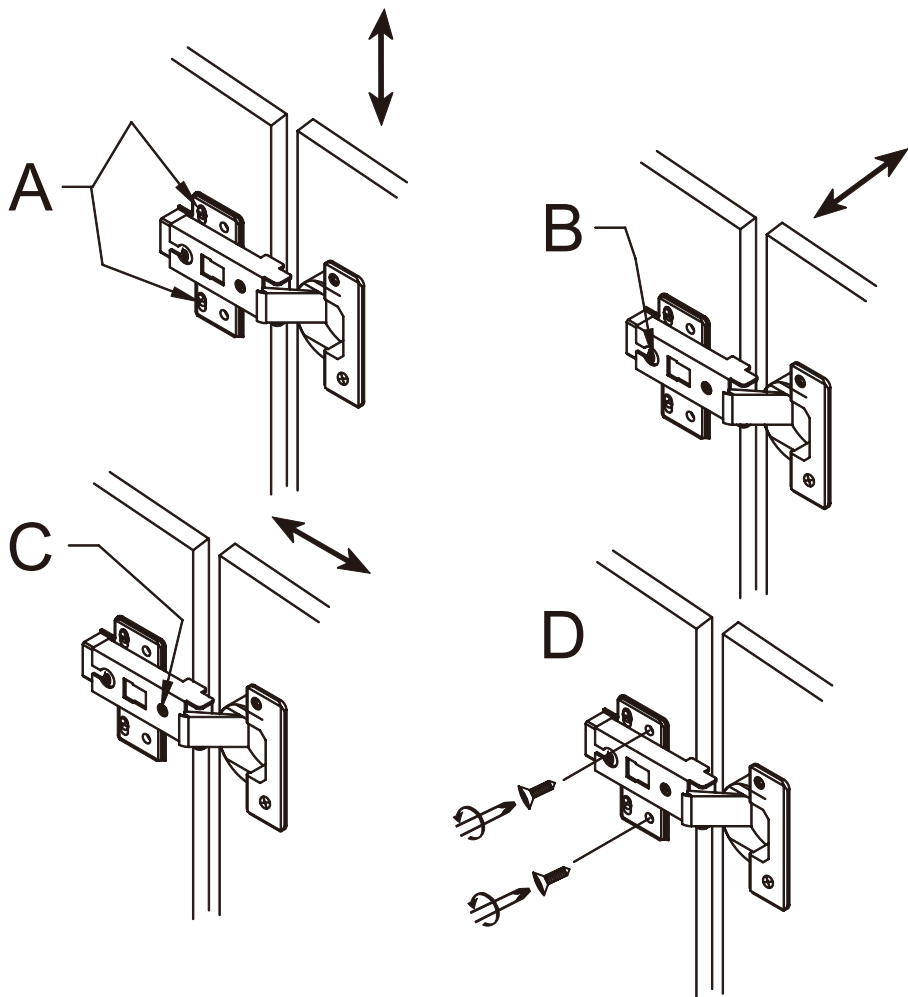
J  12 PCS



STEP 11

J  12 PCS

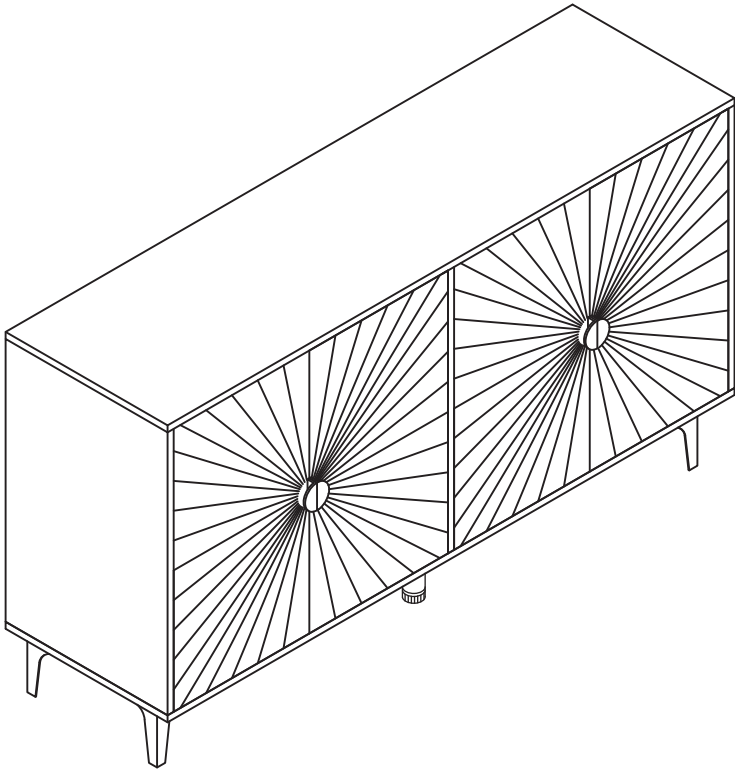




A. Regolazione dell'altezza C. Regolazione laterale

B. Regolazione della profondità D. Dopo aver regolato A/B/C, serrare saldamente le viti.

● Per garantire il corretto allineamento del mobile, vedere le illustrazioni precedenti per le istruzioni sulla regolazione dell'altezza, della profondità e dello spostamento laterale del mobile.



Thank you very much for purchasing from us.

We have always been trying to provide the best service and reliable products for every customer.

However, accident may happen sometimes, please contact us to resolve any issue before leaving a negative feedback.

Many thanks and welcome to our shop again!