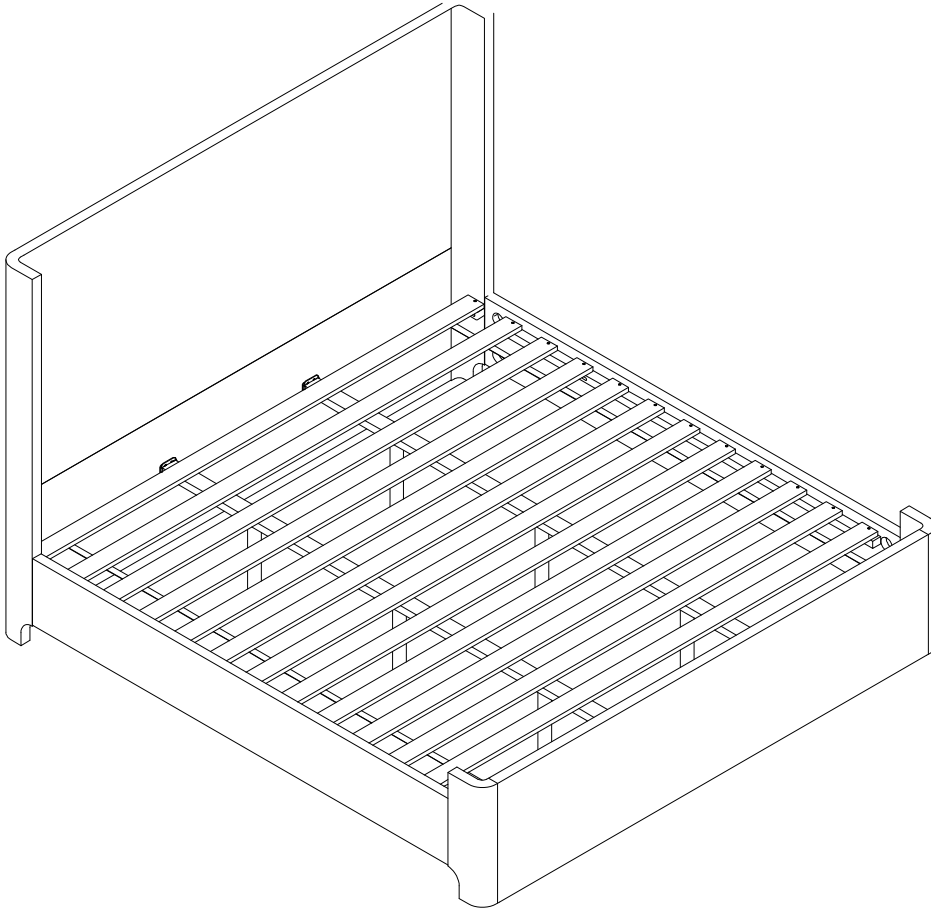


Owner Manual

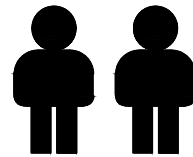


Per Seat Weight Limitation

850 LBS



Installation:
30 minutes.



Two Person

Thank You For Choosing Our Furniture

- ▀ If you have any questions or concerns, don't hesitate to reach out to us. ▀

NOTE:






This brochure contains **IMPORTANT** safety info. Please read and keep it for future reference.

MAINTENANCE AND WARNINGS



Before You Start

Please follow the steps below:

-  Check the packaging for any damage, deformation, or water stains. If there is significant damage, please contact us promptly.
-  Unpack the box and compare the contents with the parts list and hardware list to ensure all components and accessories are present and complete.
-  Please read the installation instructions carefully to understand the installation steps and precautions to ensure proper installation.
-  Clean the installation area in advance and ensure the ground is level and there is enough space to avoid damaging the furniture or making installation difficult.
-  Lay a protective mat on the ground to prevent scratching the floor during installation.

After-Sales Service

- If you encounter any issues or need technical support during use, please contact our after-sales team. We offer long-term maintenance and warranty services.



Precautions

- ⚠ This product is for indoor use only. Do not expose it to outdoor elements or high-humidity environments.
- ⚠ Keep the product away from high heat or open flames to prevent fire hazards.
- ⚠ Do not allow children to climb on the product, as this may cause tipping and result in personal injury.



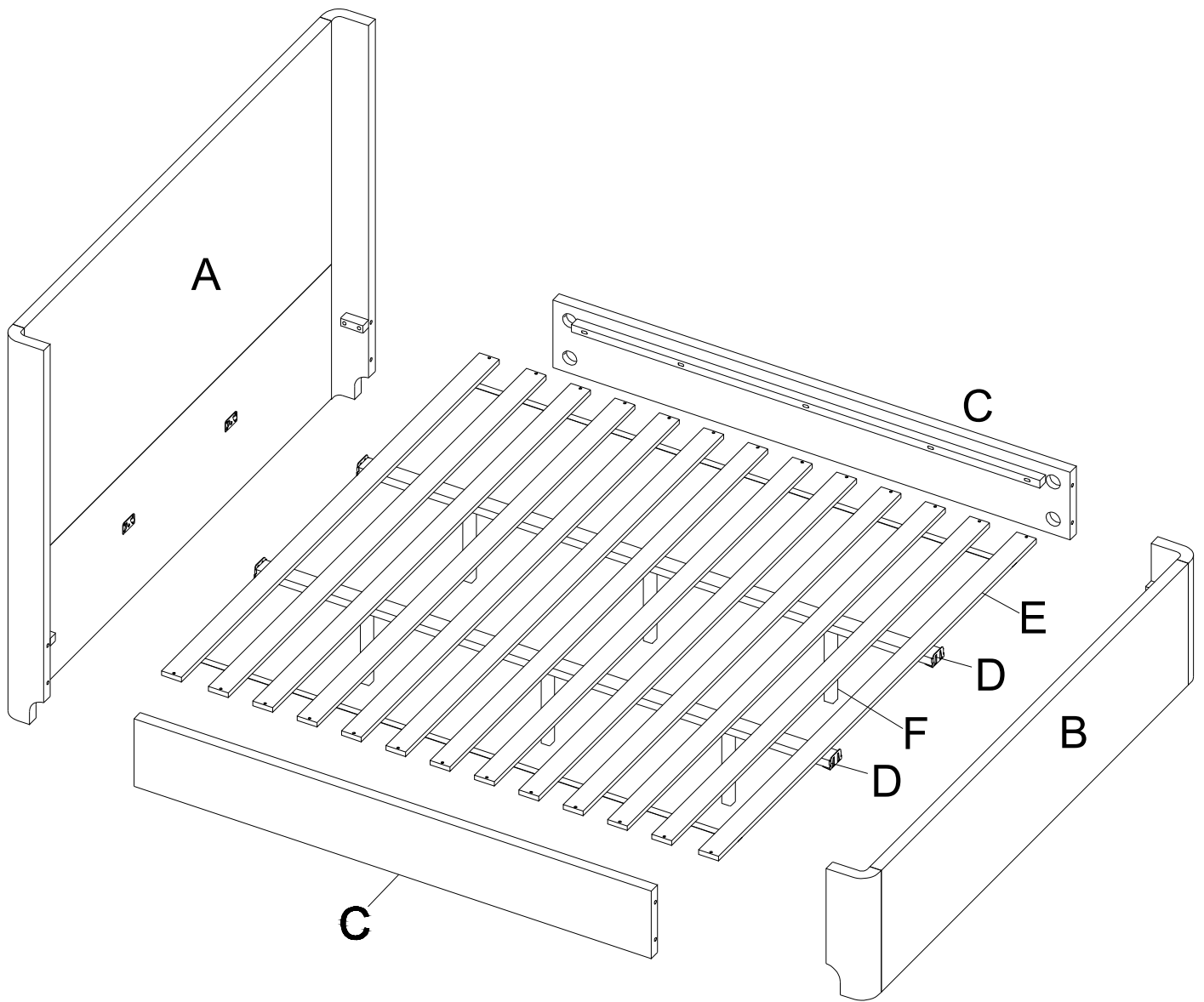
Safety Warnings

- ⚠ If you notice any loose or damaged parts, stop using the product immediately and contact customer service.
- ⚠ Do not attempt to disassemble or replace any components yourself, as this may affect the stability and safety of the product.

Daily Maintenance

- Regularly clean the surface with a soft cloth to prevent dust accumulation.
- Do not use cleaning agents containing acids, alkalis, or corrosive substances, as they may damage the surface. It is recommended to use neutral cleaning agents or specialized furniture cleaners.
- Avoid exposing furniture to humid environments for extended periods. Use a dehumidifier or desiccant during humid weather.
- Avoid direct contact of furniture with water. If water is accidentally spilled, wipe it dry immediately.
- Avoid placing excessively heavy objects on the furniture: ensure the weight is within a reasonable load-bearing range.
- Avoid using sharp or rough items on the furniture surface to prevent scratches. Handle items gently when moving them.

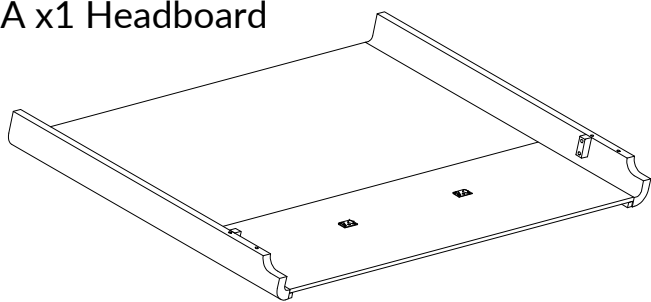
Explosive view



Parts list

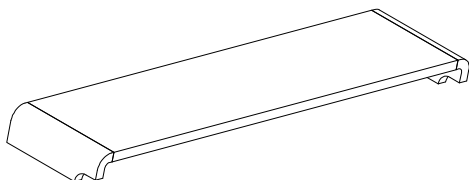
Box A

A x1 Headboard



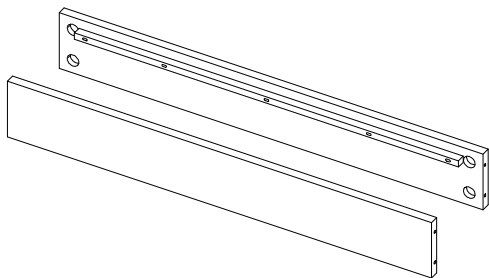
Box B

B x1 Footboard

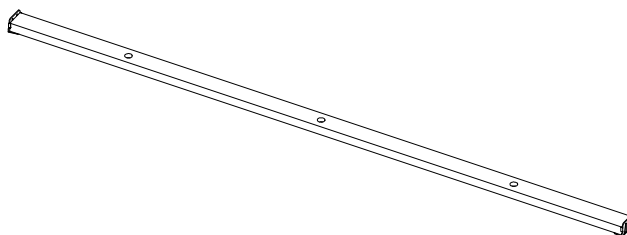


Box C

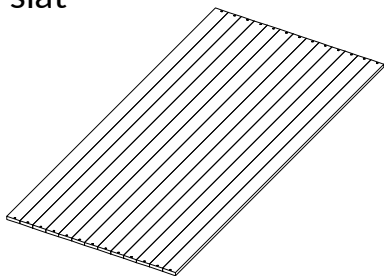
C x1 Side rails



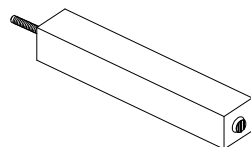
D x2 Center rails



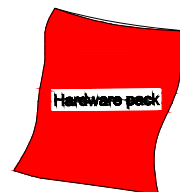
E x1 Roll slat



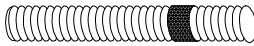

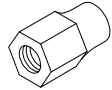
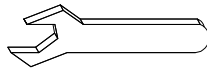
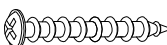
F x6 Center legs

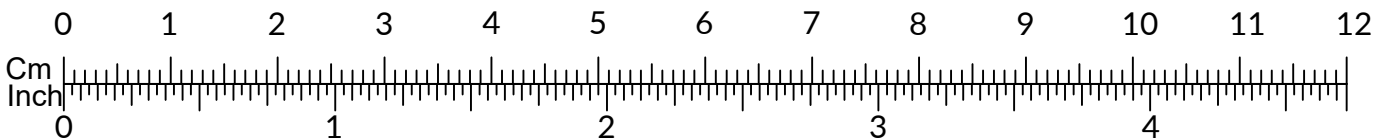


G x1 Hardware Pack



Hardware List

<p>①x8+1 Hanger Bolt</p>  <p>D5\16"x 3"</p>	<p>②x8+1 Curved washer</p>  <p>D5\16"</p>	<p>③x8+1 Hex nut</p>  <p>D5\16"</p>
<p>④x+1 Hex wrench</p>  <p>12MM</p>	<p>⑤x26+3 Wood screws</p>  <p>Ø8*1 1/4 "</p>	

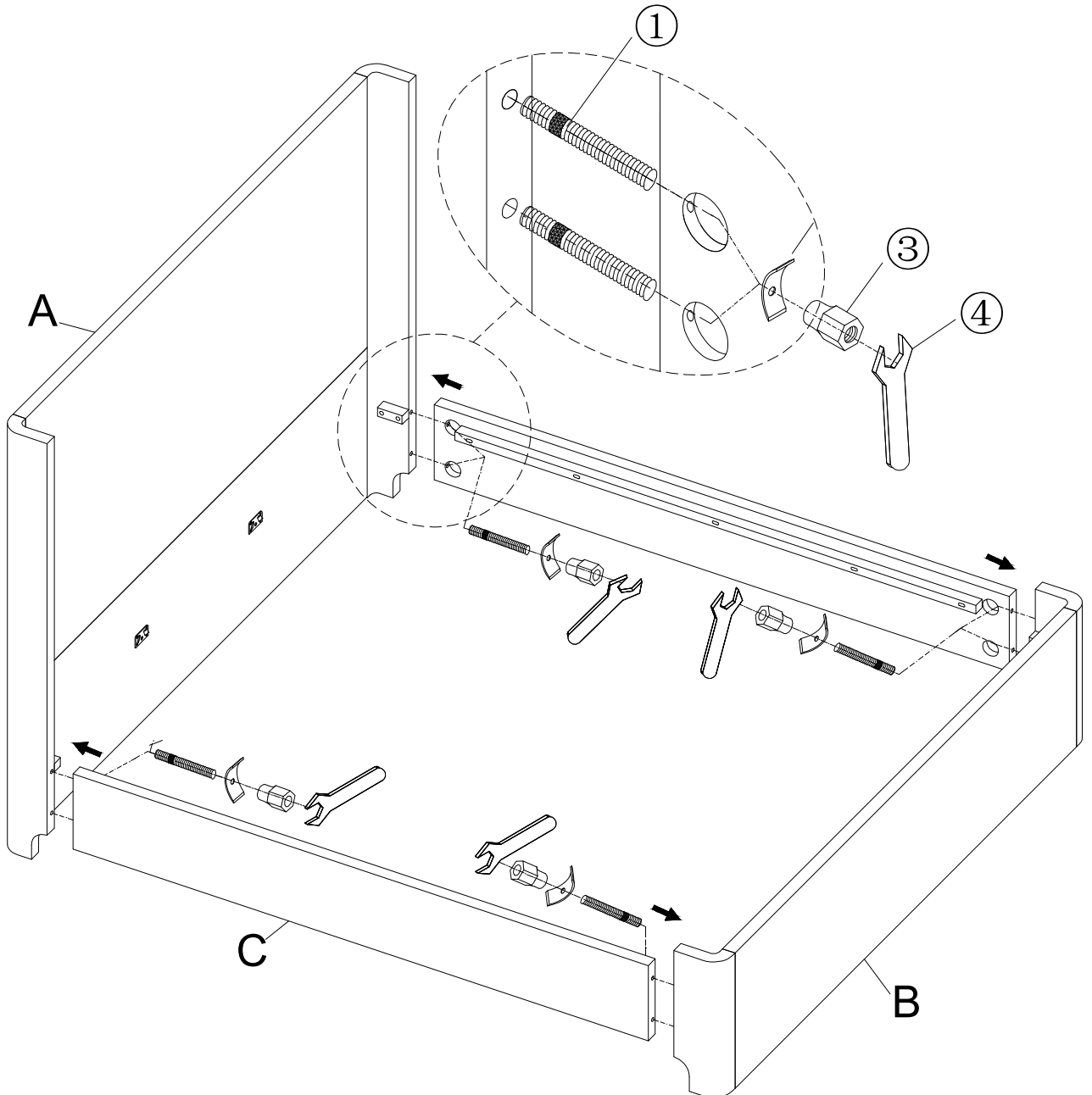






Note: Before installing the screws, please first distinguish the length of the screw rods.

Step 1

Screw the Bolt ① into Headboard A & Footboard B. Align the bolts with the holes in the end of side rails and attach the side rails to HB & FB using Curved washer ② and nuts ③, Then use a hex wrench ④ to tighten all the nuts.

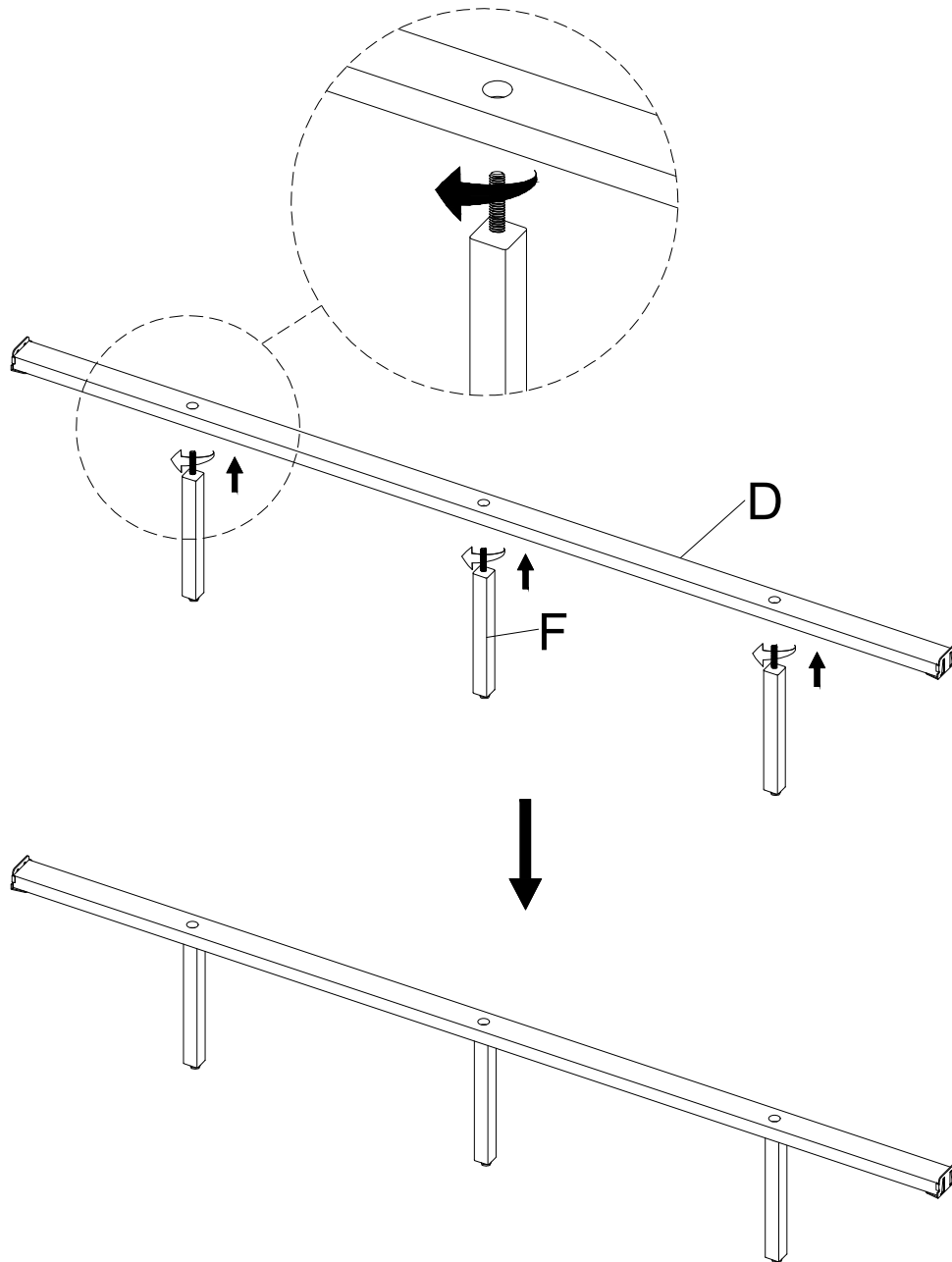
All screws/bolts here should first be tightened to 70%, and then to 100% after everything is fully installed.



①x8	②x8	③x8	④x8
			
D5\16"x 3"	D5\16"	D5\16"	12MM

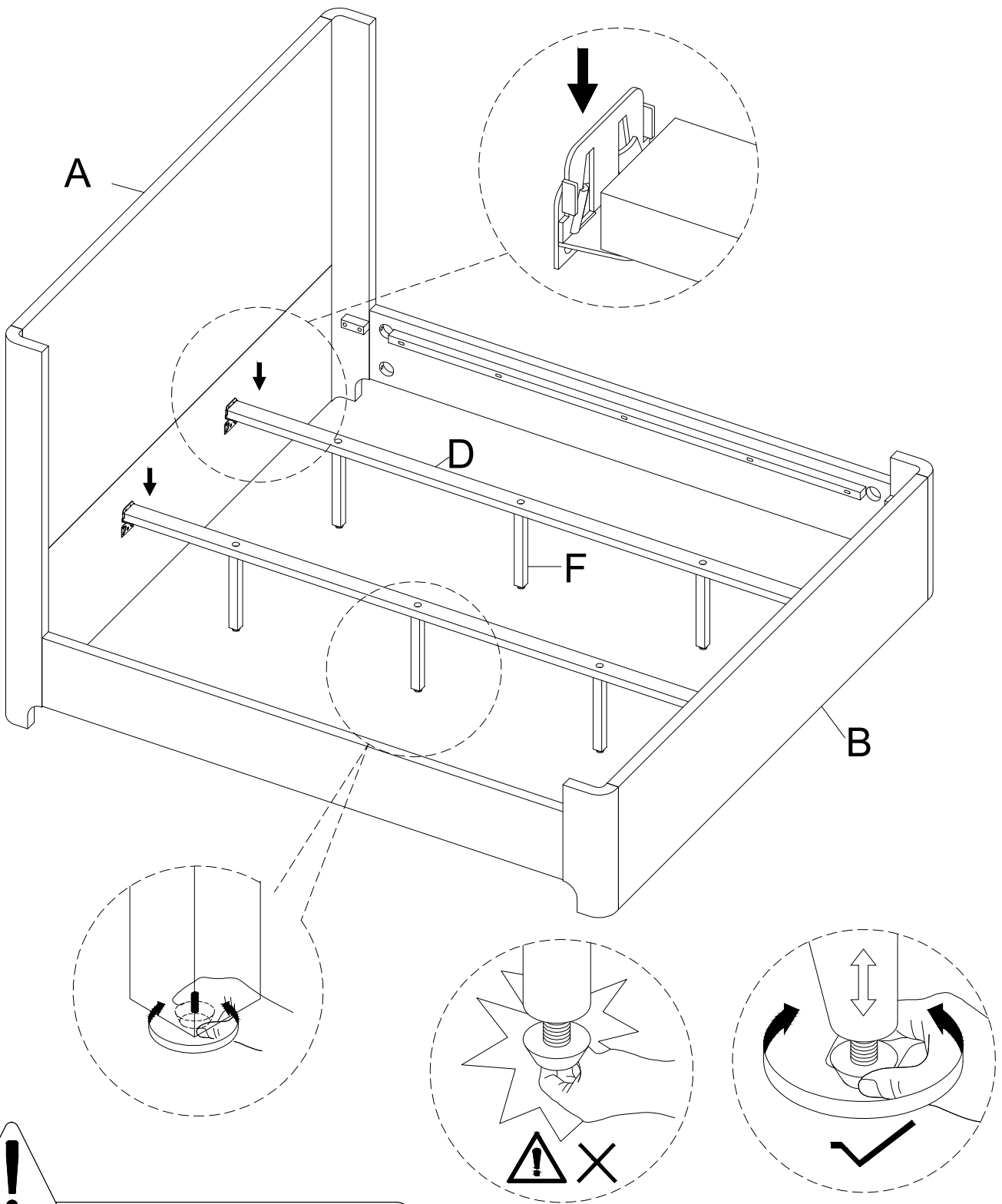
Step 1

Attach center rail D to center legs F and then tighten it



Step 2

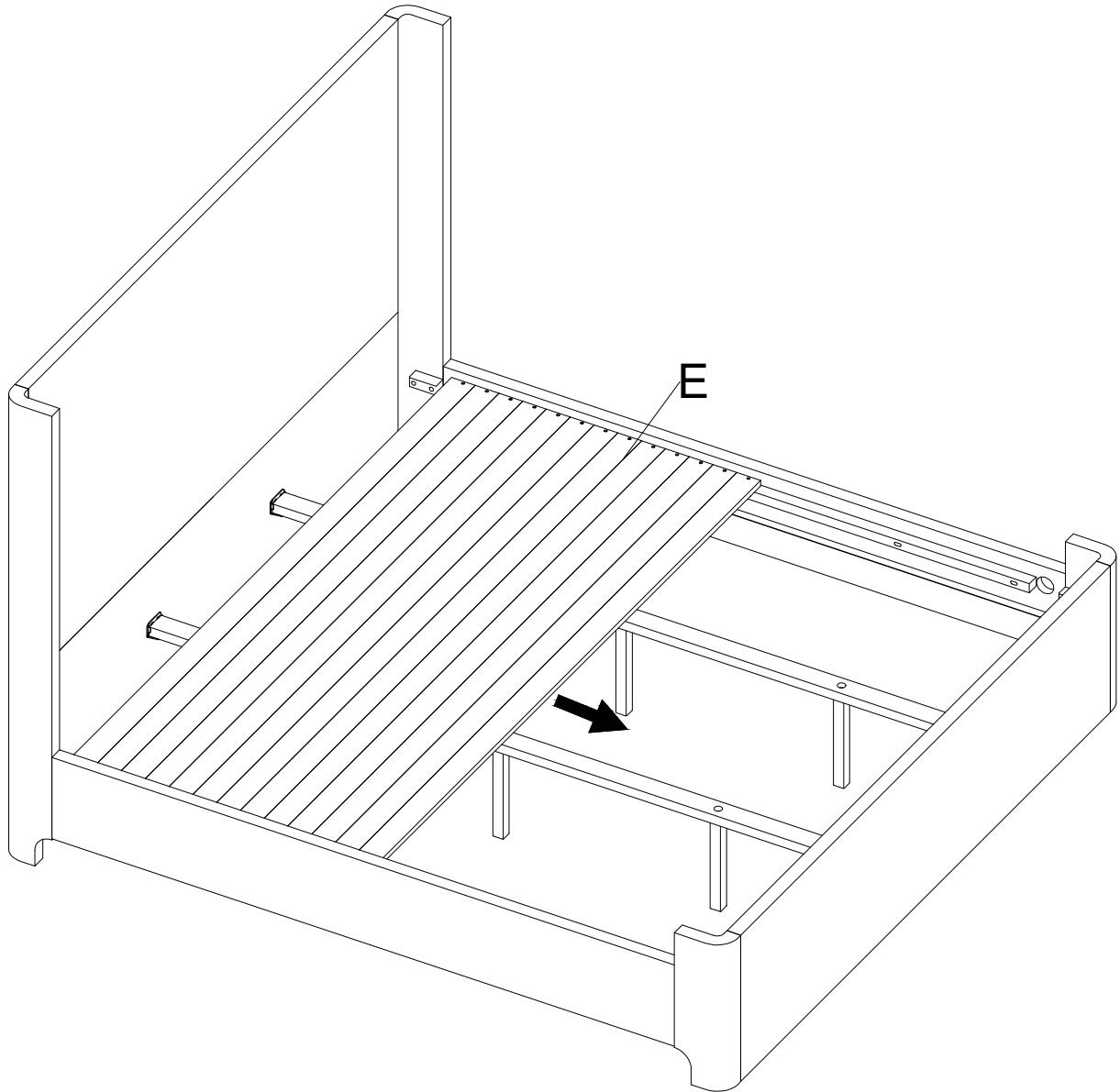
Attach center rail D to center legs F and then tighten it



Attention:
Before the next step, adjust the feet of the locker to keep it level.

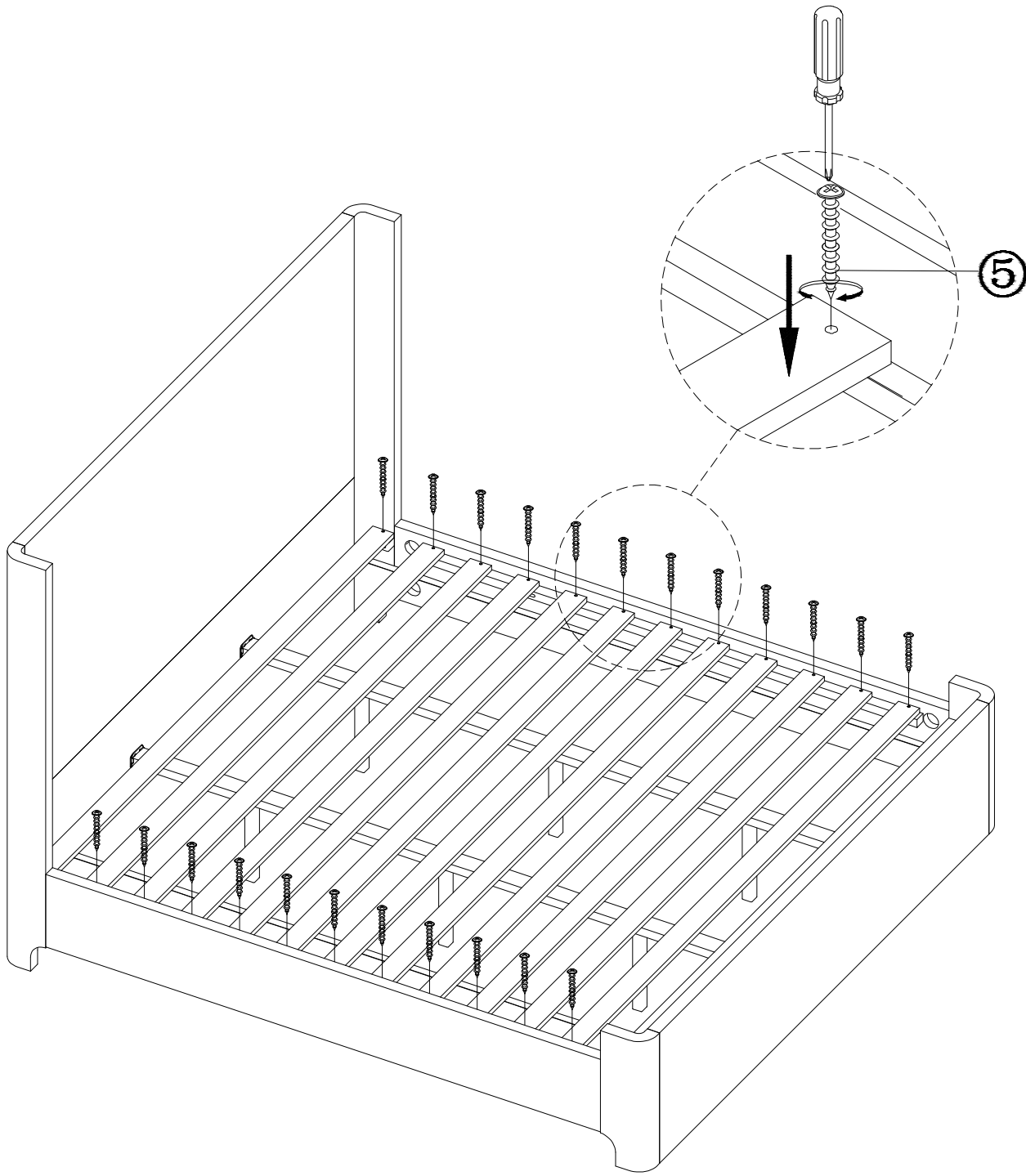
Step 3


Attach Attach Roll slat E to side rails



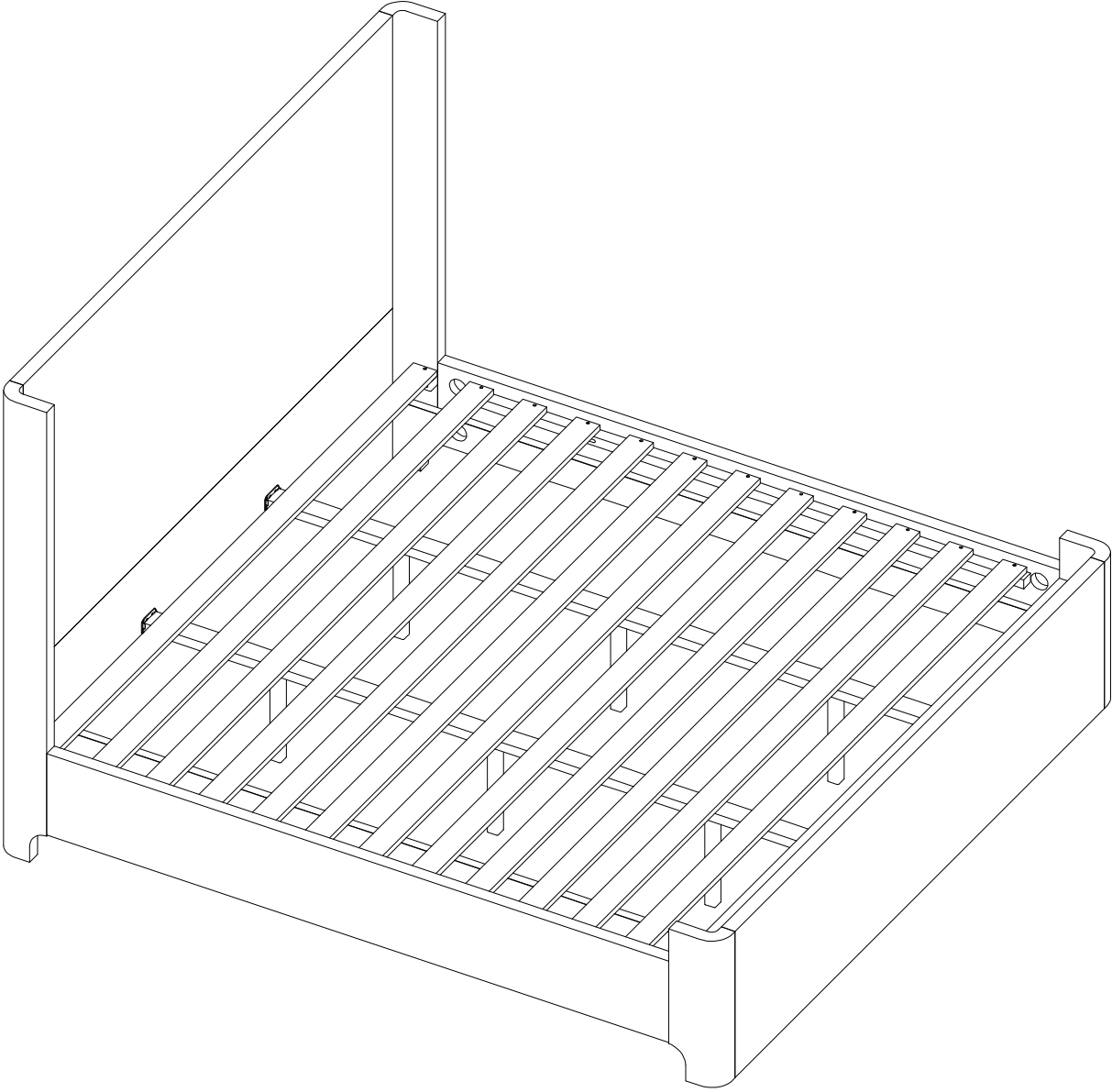
Step 4

Attach Roll slat E to side rails C using Wood Screws



5x26

Ø8*1 1/4 "

Step 4



WARRANTY

- We strive to offer quality products, and we also try our best to satisfy every customer who orders from us with products or services as needed.
- Replacement parts can be purchased from our company if available.
- For returns, please check the return policy with the retailer or marketplace where you purchased the item.

We appreciate your purchase.
Brighten your life with our furniture!