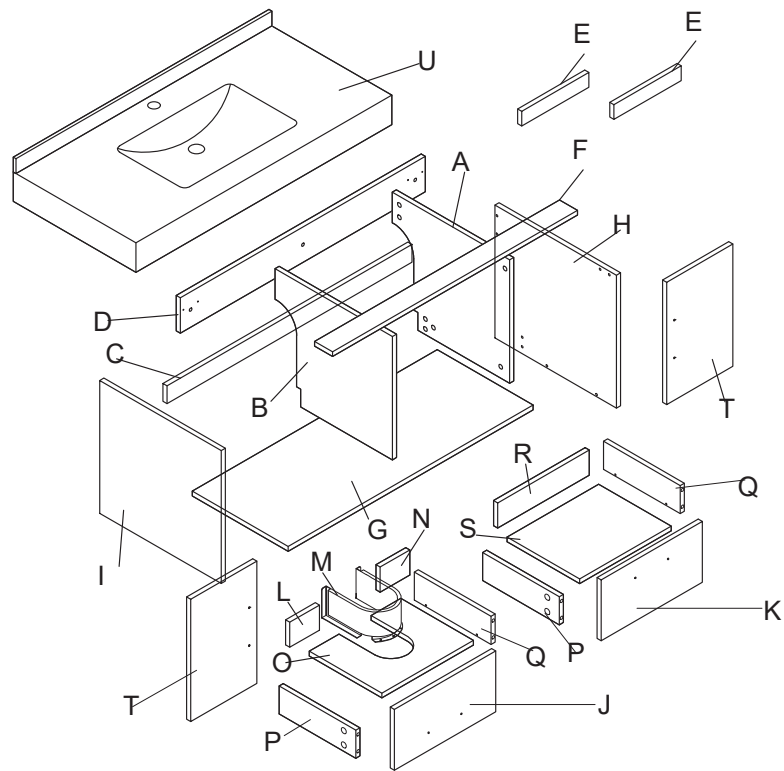
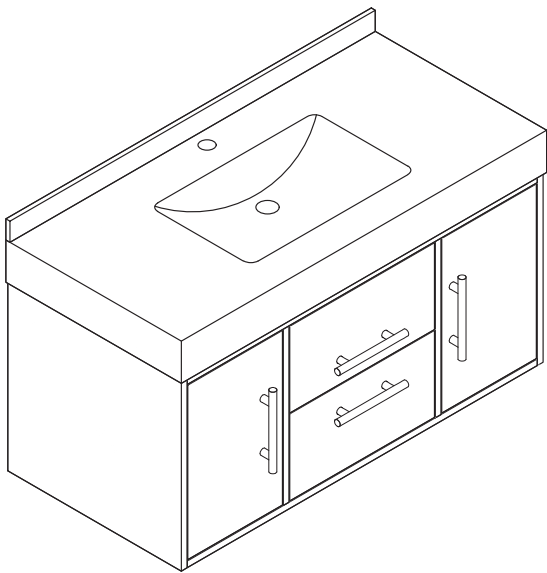


# Installation & Assembly



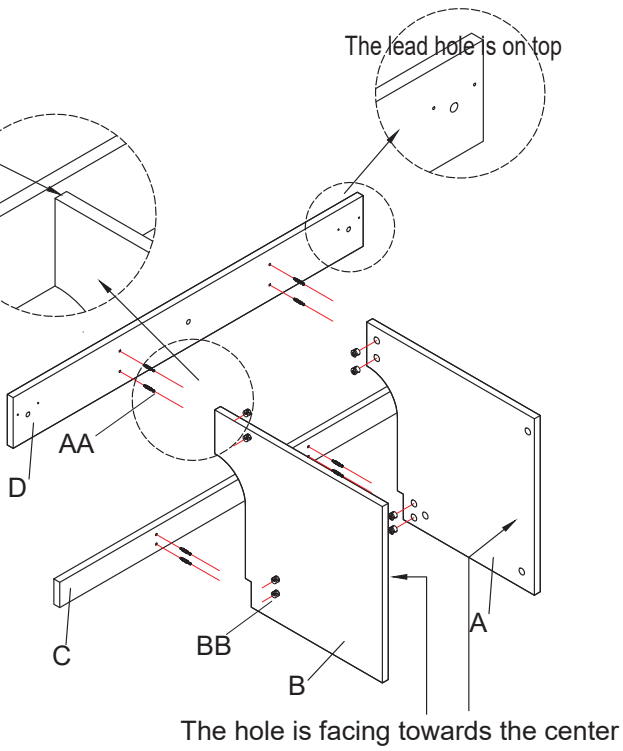


AA  x8

BB  x8

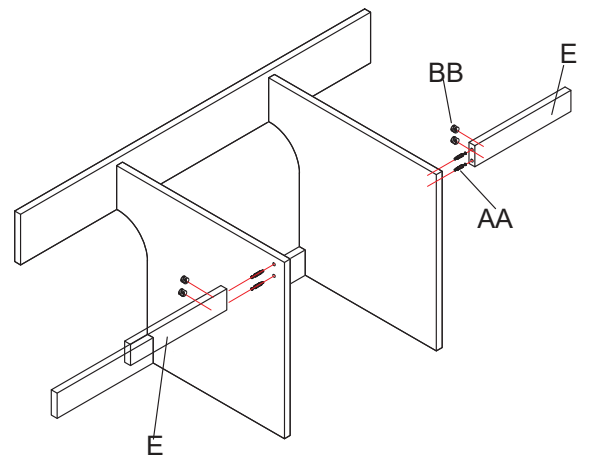
Non uniform

The lead hole is on top



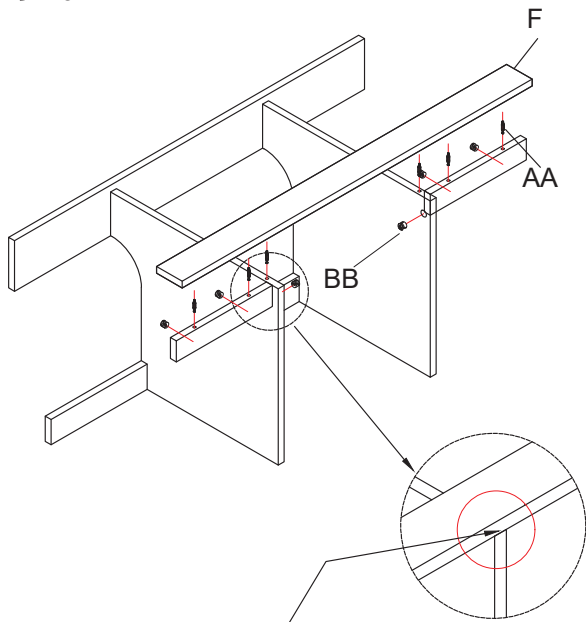
AA  x4

BB  x4



AA  x6

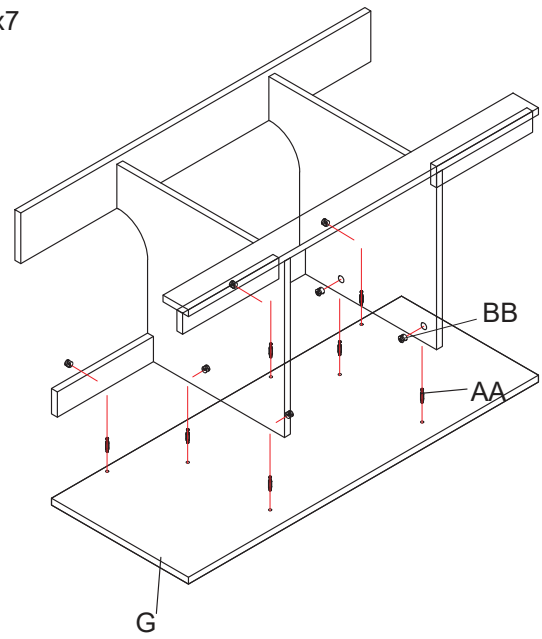
BB  x6



The top plate and the front side of the vertical plate are flush

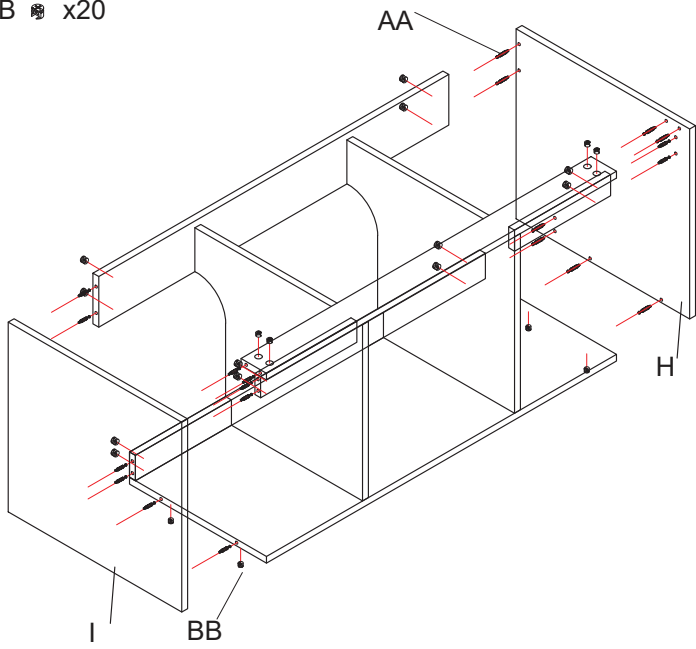
AA  x7

BB  x7



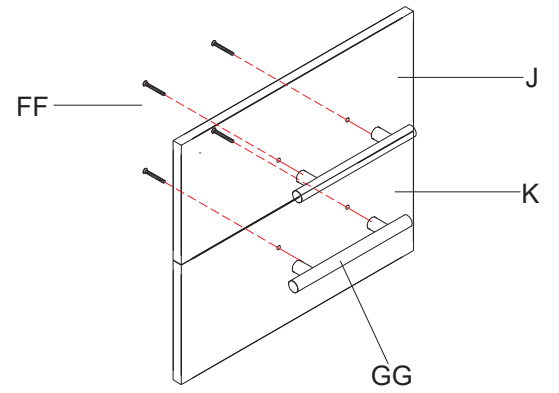
AA  x20

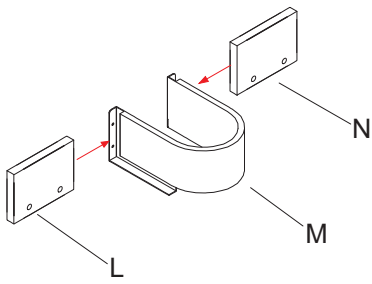
BB  x20



FF  x4

GG  x2

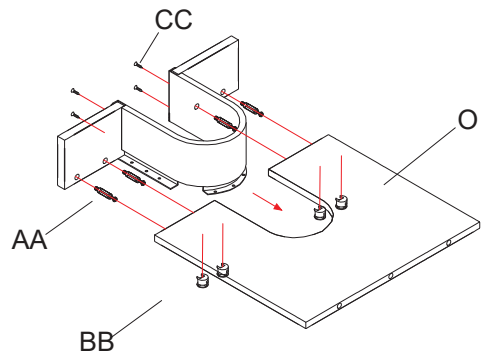







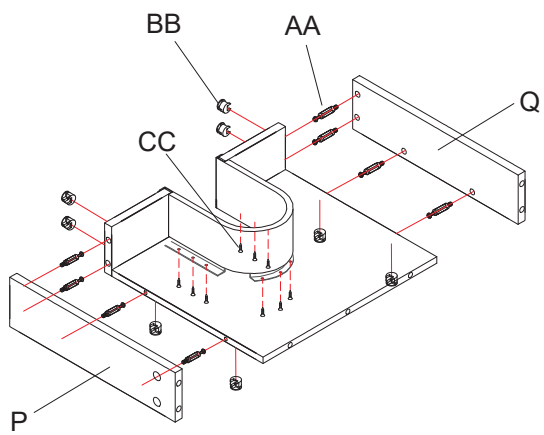
AA  x4



BB  x4

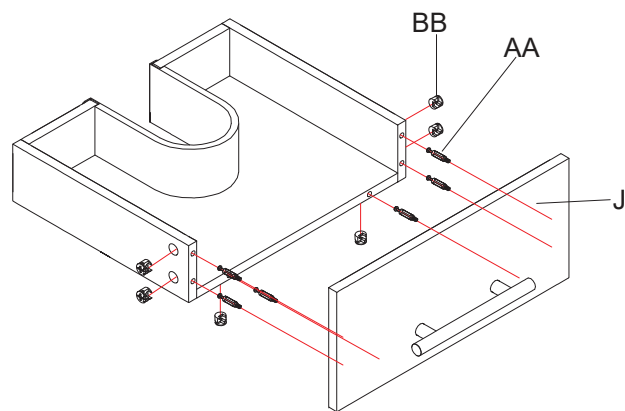
CC  x4





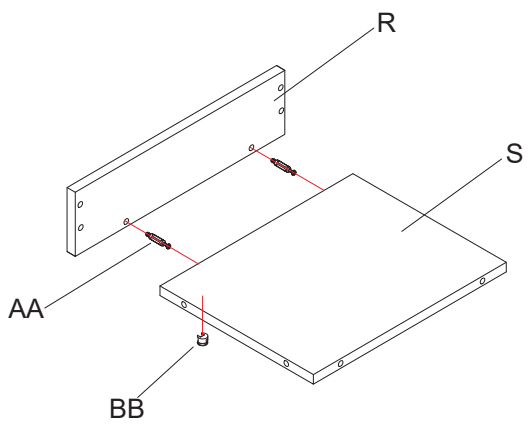
- AA  x8
- BB  x8
- CC  x9





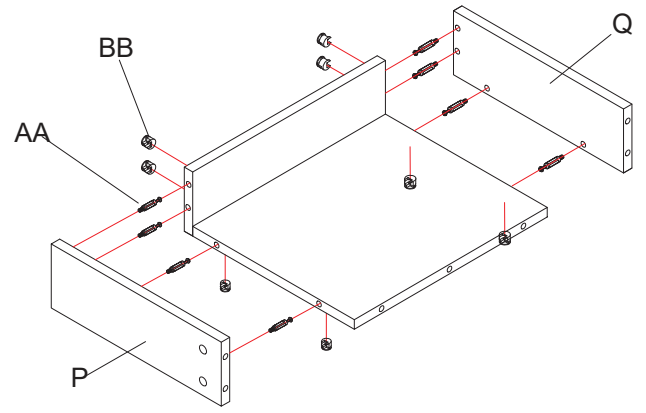
- AA  x6
- BB  x6



AA  x2  
BB  x2

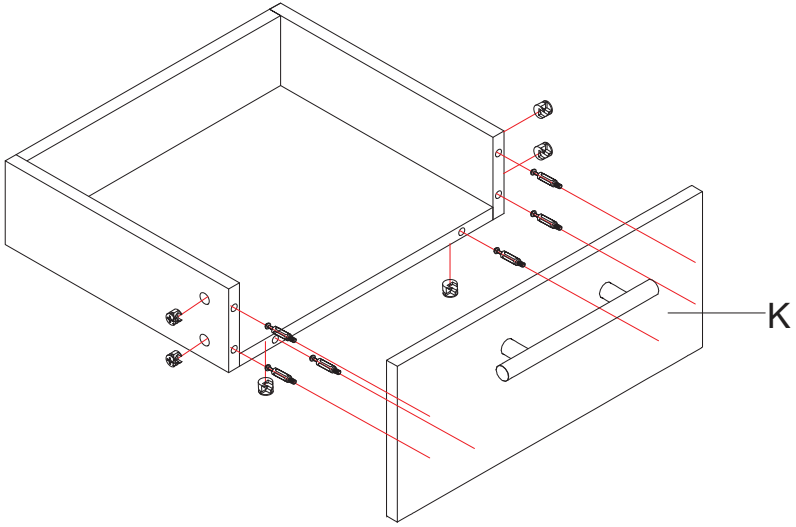


AA  x8  
BB  x8



AA  x6

BB  x6

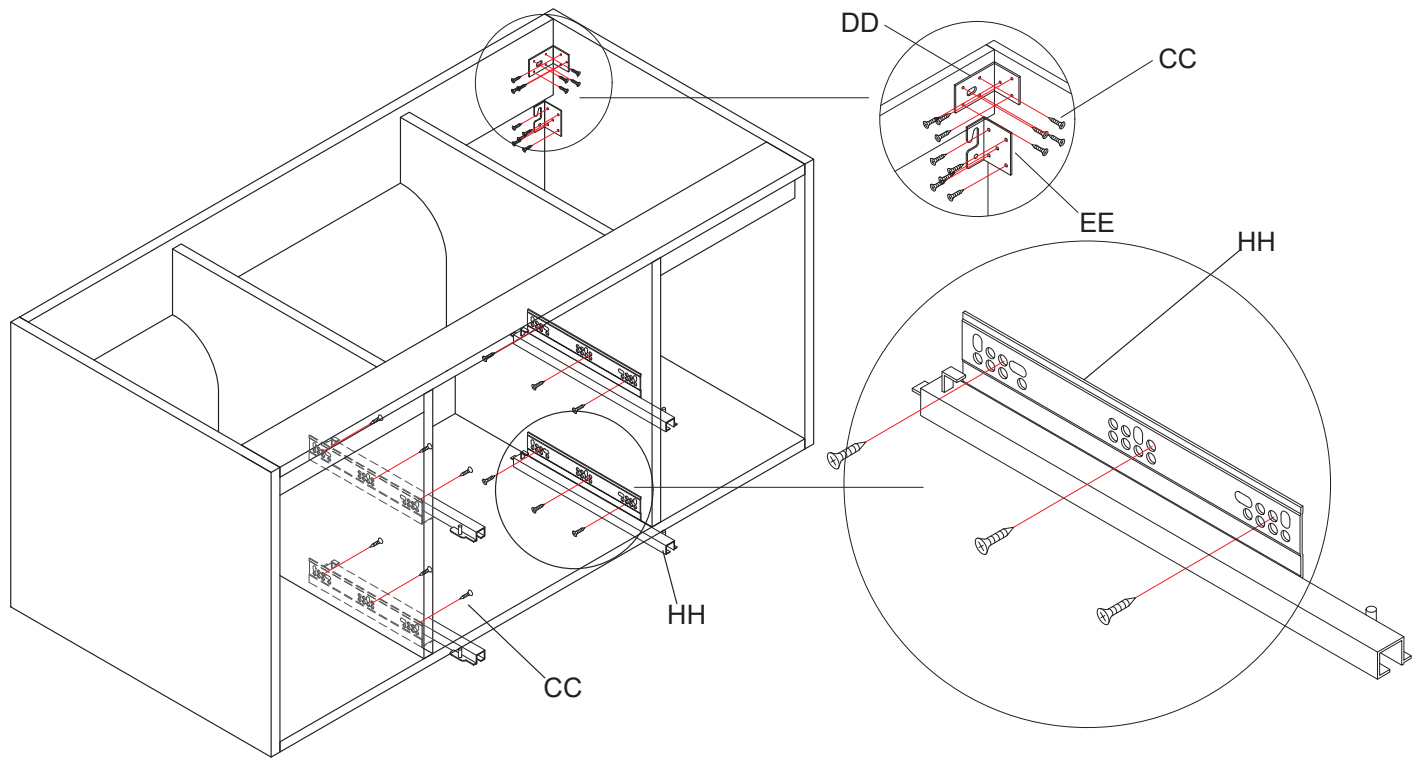


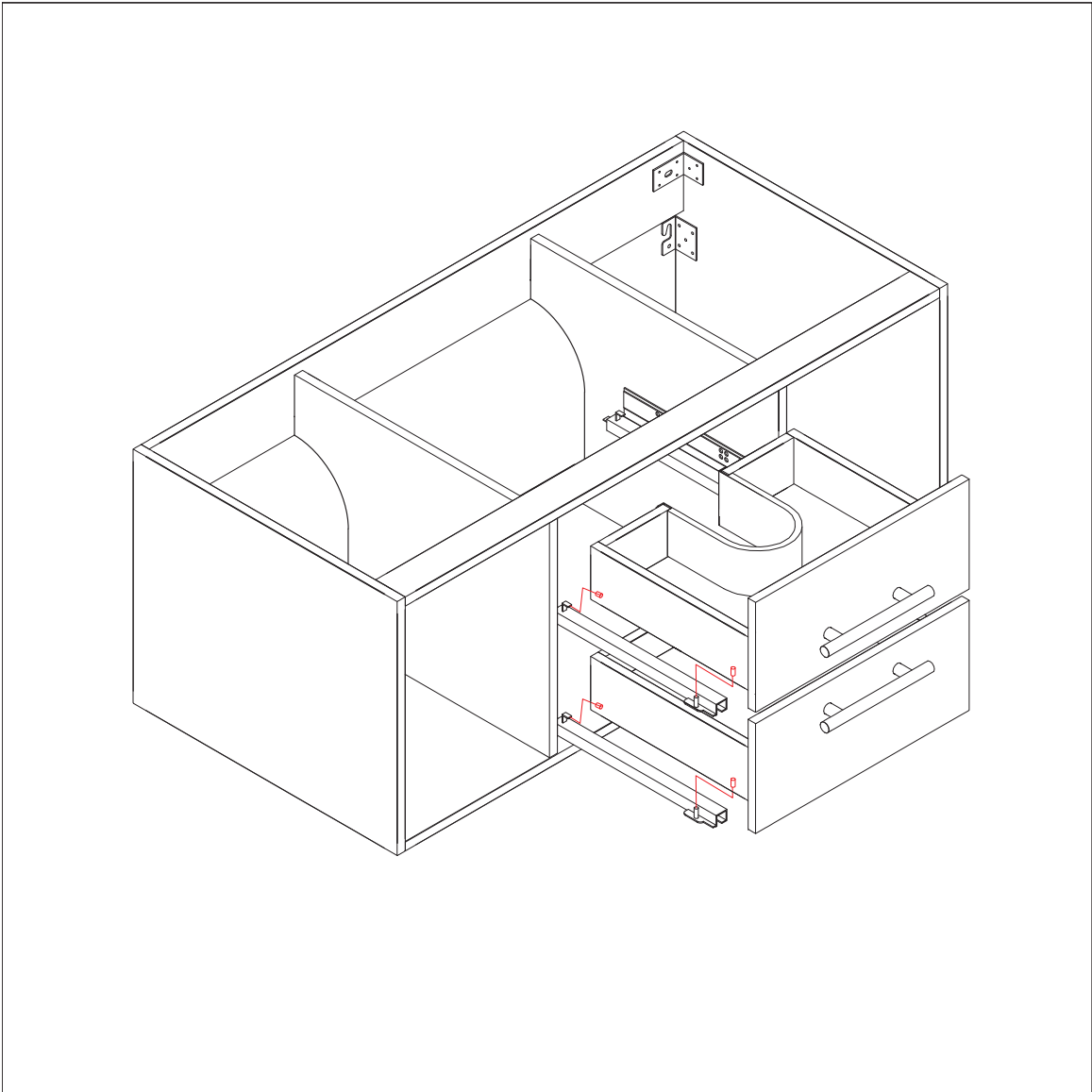
CC  x36

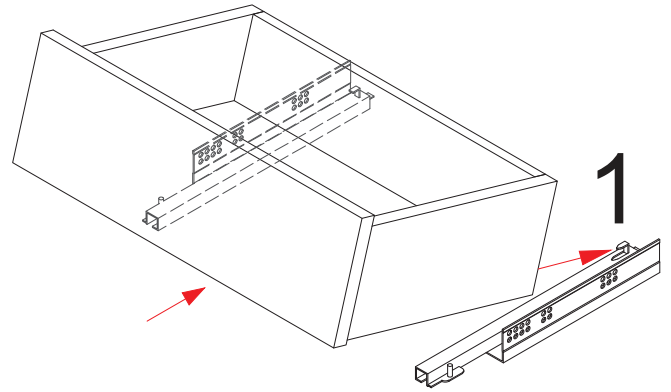
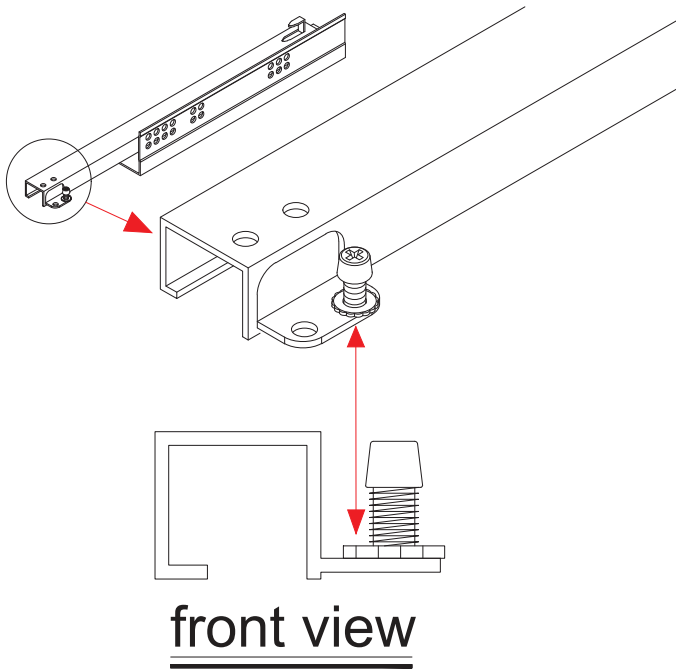
DD  x2

EE  x2

HH  x2

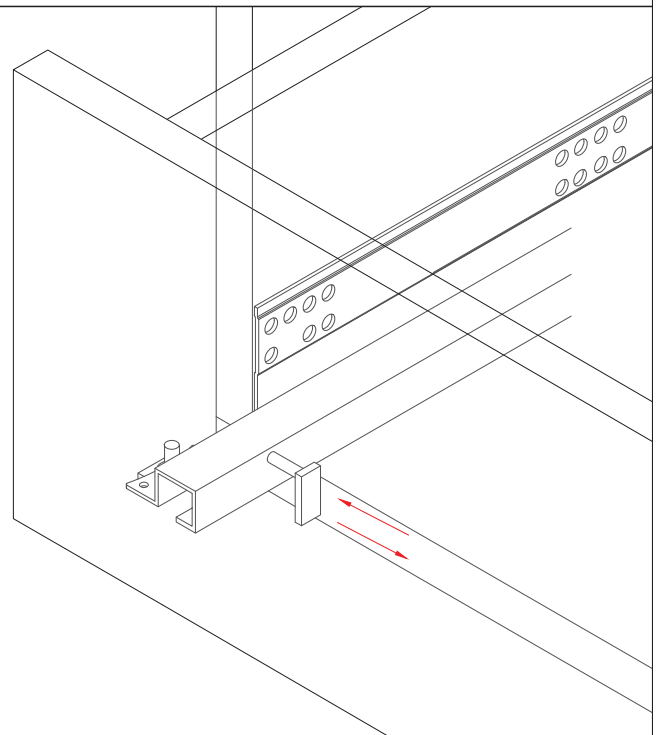
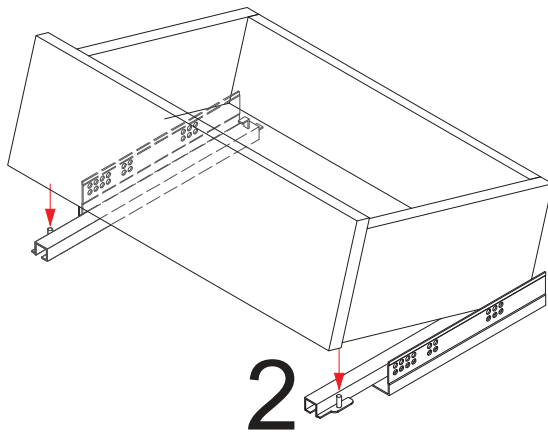






1. Check that the nut is screwed to the bottom.

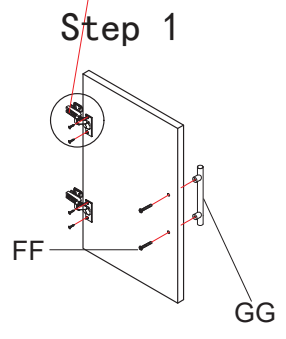
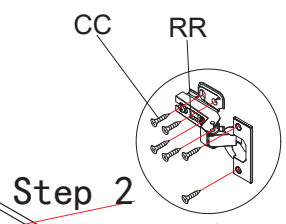
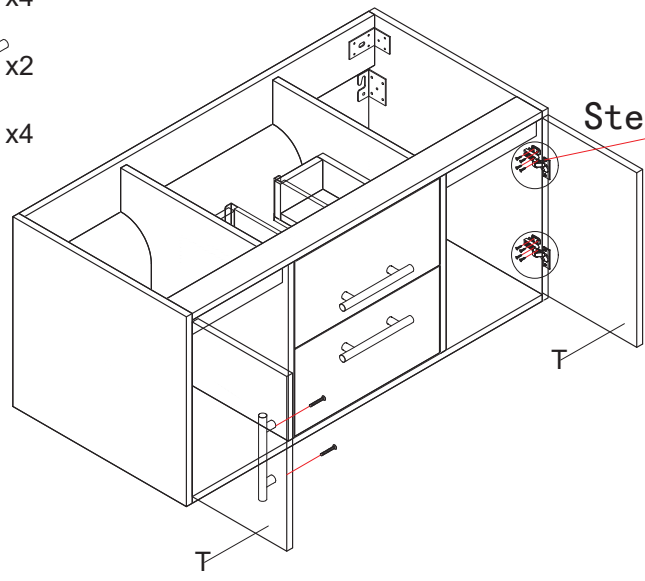
2. Tilt the drawer down, and slide the drawer inside along the rails.








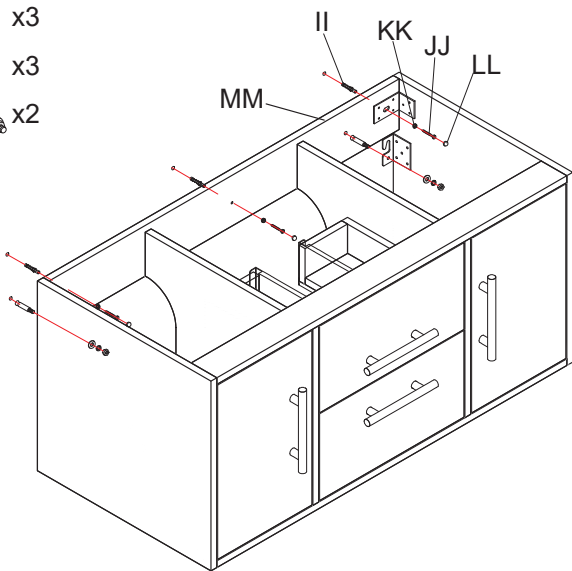
3. Put the drawer down naturally.



4. Push to lock  
Pull to unlock

- CC  x24
- FF  x4
- GG  x2
- RR  x4



- II  x3
- JJ  x3
- KK  x3
- LL  x3
- MM  x2



- NN  x4
- OO  x1

