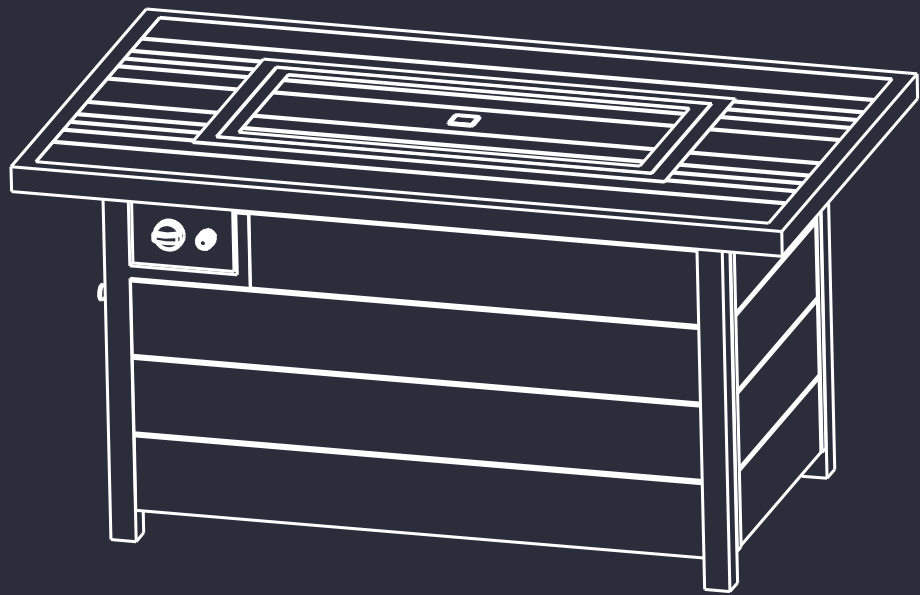


HAPPATIO

OWNER'S MANUAL

HAPPATIO
Outdoor Fire Tables



"Happy families through happy living"

HAPPATIO



If you have any questions,
please contact customer service:
E-mail: happatio@hotmail.com
Facebook: [@happatio](https://www.facebook.com/happatio)

 **DANGER**

FIRE OR EXPLOSION HAZARD

If you smell gas:

1. Immediately shut off gas to the appliance.
2. Extinguish any open flames.
3. If an odor persists, keep away from the appliance and immediately call your gas supplier or fire department.

Failure to follow these instructions could result in a fire or explosion, which could cause property damage, personal injury, or death.

 **WARNING**

Do not store or use gasoline or other flammable liquids or vapors in the vicinity of this or any other appliance.

An LP cylinder not connected for use should not be stored in the vicinity of this or any other appliance.

 **WARNING: For Outdoor Use Only**

Installation and service must be performed by a qualified installer, service agency, or gas supplier.

INSTALLER: Leave this manual with the appliance.

CONSUMER: Retain this manual for future reference.

 **DANGER**



CARBON MONOXIDE HAZARD

This appliance can produce carbon monoxide, which has no odor. Using this appliance within an enclosed space may cause personal injury or death. Never use this appliance in an enclosed space such as a camper, tent, vehicle, or home.

 **WARNING**

If the information in this manual is not followed exactly, it may result in a fire or explosion, which can cause property damage, personal injury, or loss of life.



Safety Precautions

DANGER

★ Failure to comply with the precautions and instructions provided with this fire pit can result in fire, explosions burns, asphyxiation, and/or carbon monoxide poisoning, which may in turn lead to property damage or loss, personal injury, or death. Only persons who have fully read, understand, and can follow the instructions should ever use or service this fire pit.

★ **DANGER** indicates an imminently hazardous situation that, if not avoided, will result in death or serious injury.

★ **FOR YOUR SAFETY**

If you smell gas:

1. Immediately shut off gas to the appliance.
2. Extinguish any open flames.
3. If an odor persists, keep away from the appliance and immediately call your gas supplier or fire department.

★ **EXPLOSION-FIRE HAZARD**

- Keep solid combustibles, such as building materials, paper, or cardboard, a safe distance away from the fire pit, as recommended by the instructions.
- Provide adequate clearance around places where air can vent into the combustion chamber.
- During operation, this product can be a source of ignition. Keep fire pit area clear and free from combustible materials, gasoline, paint thinner cleaning solvents, and other flammable vapors and liquids. Do not use the fire pit in areas with high dust content. Minimum fire pit clearances from combustible materials: 65"(165cm) from the top; 48"(121.9cm) from all sides and back.

★ **EXPLOSION-FIRE HAZARD**

- Never store propane near high heat, open flames, pilot lights, direct sunlight, other ignition sources, or locations where temperatures may exceed 120 degrees F (49°C)
- Propane vapors are heavier than air and can accumulate in low places. If you smell gas, leave the area immediately.
- Never install or remove a propane cylinder while the fire pit is lit, or while near flames, pilot lights, or other ignition sources, or while the fire pit is hot to touch.
- This fire pit can become extremely hot during use and can ignite flammables that are too close to the burner. Keep gasoline and other flammable liquids and vapors well away from the fire pit.
- Store the propane cylinder outdoors in a well-ventilated space out of reach of children. Never store the propane cylinder in an enclosed area (house, garage, shed, etc.). If the fire pit is to be stored indoors, disconnect the propane cylinder so that it can be stored outdoors, separately.



**Happy Families
Through
Happy Living**

E-mail: happatio@hotmail.com

Facebook: [@happatio](https://www.facebook.com/happatio)



Safety Precautions

DANGER

★ CARBON MONOXIDE HAZARD

- This fire pit is a combustion appliance. All combustion appliances produce carbon monoxide (CO) during the combustion process. This product is designed to produce extremely minute, non-hazardous amounts of CO if used and maintained in accordance with all warnings and instructions. Do not block airflow into or out of the fire pit.
- Carbon Monoxide (CO) poisoning produces flu-like symptoms, watery eyes, headaches, dizziness, fatigue, and possibly death. You can't see it or smell it - it is an invisible killer. If you or anyone around you experiences these symptoms during the operation of this product, get fresh air immediately!
- This product is intended for outdoor use only.
- This fire pit consumes oxygen. Do not use it inside the home or in any unventilated or enclosed areas. Oxygen depletion within an enclosed space can be dangerous or fatal.

WARNING

- ★ Do not store or use gasoline or any other flammable vapors and liquids in the vicinity of this or any other appliance. An LP-cylinder not connected for use should not be stored in the vicinity of this or any other appliance.
- ★ **WARNING** indicates an imminently hazardous situation that, if not avoided, may result in serious injury or death.
- ★ Improper installation, adjustment, alteration, service, or maintenance may lead to property damage, injury, or death. Read the installation, operation, and maintenance instructions thoroughly before installing or servicing this equipment.
- ★ Certain materials or items, when stored under the fire pit, will be subjected to radiant heat and could be seriously damaged.
- ★ • This product is fueled by propane gas. Propane gas is invisible, odorless, and flammable. An odorant, usually described as having a "rotten egg" smell, is normally added to help detect leaks. The odorant may fade over time, however, so leaking gas is not always detectable by smell alone.
- Propane gas is heavier than air and leaking propane will sink to the lowest available space. It may be ignited by ignition sources including matches, lighters, sparks, or open flames of any kind, and it may be ignited by sources many feet away from the original leak. Only use propane gas set up for vapor withdraw. Store or use propane gas in compliance with local ordinances and codes or with ANSI/NFPA 58. Turn off propane when not in use.



Safety Precautions **WARNING**★ **For Outdoor Use Only:****CARBON MONOXIDE HAZARD**

This appliance can produce carbon monoxide, which has no odor. Using this appliance within an enclosed space may result in serious injury or death. Never use this appliance in an enclosed space such as a camper, tent, or home.

★ **California Proposition 65**

Combustion by-products produced when using this product contain chemicals known to the state of California to cause cancer, birth defects, and other reproductive harm.

★ **BURN HAZARD**

- Never leave fire pit unattended while in use.
 - Keep out of reach of children.
- ★ The installation of this appliance must conform with local codes, or with the National Fuel Gas Code, ANSI Z223.1 NFPA 54, in the case of a lack of local codes; Use National Fuel Gas Code; Natural Gas and Propane Installation Code, CSA B149.1; or Propane Storage and Handling Code, CSA B149.2, as applicable
- ★ Solid fuels (plastic and artificial wood decks, etc.) should not be burned in this appliance.
- ★ Max. gas supply: 250 PSI; Min gas supply for input adj.: 25 PSI.
- ★ Keep the area around the appliance clear and free from combustible materials, gasoline, and other flammable vapors and liquids;
- ★ Please clean the combustion tube before use.
- ★ The hose must be inspected before each use of the appliance.
If there is evidence of excessive abrasion or wear, or if the hose is damaged, please contact the manufacturer for a replacement hose.
- ★ The burner must be replaced prior to the appliance being put into operation if it is evident that the burner is damaged; a suitable replacement burner shall be specified by the manufacturer;
- ★ Please install the battery base as per the installation instructions. If the battery base is not installed, you will not be able to ignite the flame and use the burner.
- ★ The propane gas supply cylinder to be used must be:
- constructed and marked in accordance with the U.S. Department of Transportation (D.O.T.) Specifications for LP-Gas Cylinders, or the Standard for Cylinders, Spheres and Tubes for Transportation of Dangerous Goods and Commission, CAN/CSA-B339, as applicable;
 - equipped with a listed overfilling prevention device;
 - equipped with a cylinder connection device compatible with the connection for the appliance.



Safety Precautions

WARNING

- ★ Alert children and adults to the hazards of high surface temperatures. Stay away from these surfaces to avoid burning skin or igniting clothing.
 - Carefully supervise young children when they are in the vicinity of the fire pit.
 - Do not hang clothing or any other flammable materials from the fire pit. Do not place them on or near the fire pit either.
 - Replace any guard or protective device that was removed for servicing the appliance before you put the appliance back in service.
 - Installation and repair should be done by a qualified service person. The fire pit should be inspected before use, and annually thereafter, by a qualified service person. More frequent cleaning may be required as necessary. It is imperative that the control compartment, burners, and circulating air passageway of the appliance be kept clean.
- ★ Do not use this appliance if any part has been under water. Immediately call a qualified service technician to inspect the appliance and to replace any part of the control system and/or any gas control that has been underwater;
- ★ **WARNING:** Failure to position the parts in accordance with these diagrams or failure to use exclusively parts specifically approved for this appliance may result in property damage or personal injury.
- ★ **SERVICE SAFETY**
 - Keep all connections and fittings clean. Make sure the propane cylinder valve outlet is clean.
 - During set up, check all connections and fittings for leaks using soapy water. Never use a flame to check leaks. Use as a heating appliance only. Never alter the device or use the device in any way not intended by the manufacturer.

CAUTION indicates an imminently hazardous situation that, if not avoided, may result in minor or moderate personal injury, or property damage.

Warranty Coverage Requirements:

- Photos of the damaged parts.
- The order number of your product.
- Please gather all of this information BEFORE you contact us.
- Do not use this item in a way inconsistent with the manufacturer's instructions, as this could void the product warranty.

NOTE

Before assembly, please check all the product parts by referencing the package contents list and hardware contents list. If any part is missing or damaged, do not begin the assembly of this product. Instead, contact customer service.



Part List

Cover Plate

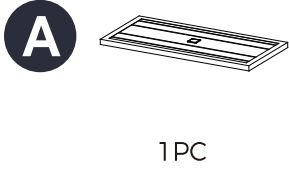
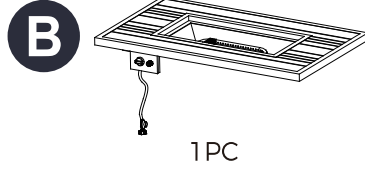


Table Top



Left Side Panel



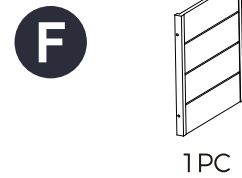
Door Panel



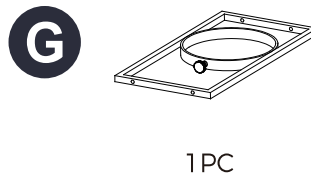
Right Side Panel



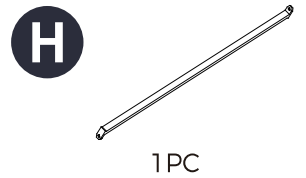
Back Side Panel



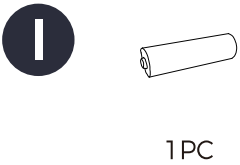
Metal Stand



Support Frame



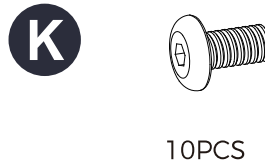
"AAA" Battery



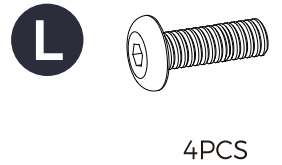
Lava Glass



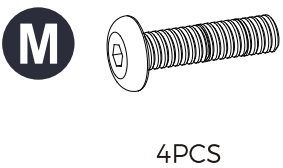
M6X20MM Bolt



M6X30MM Bolt



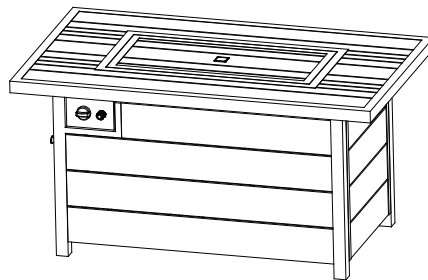
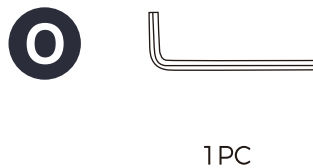
M6X35MM Bolt



Steel Washer



Wrench



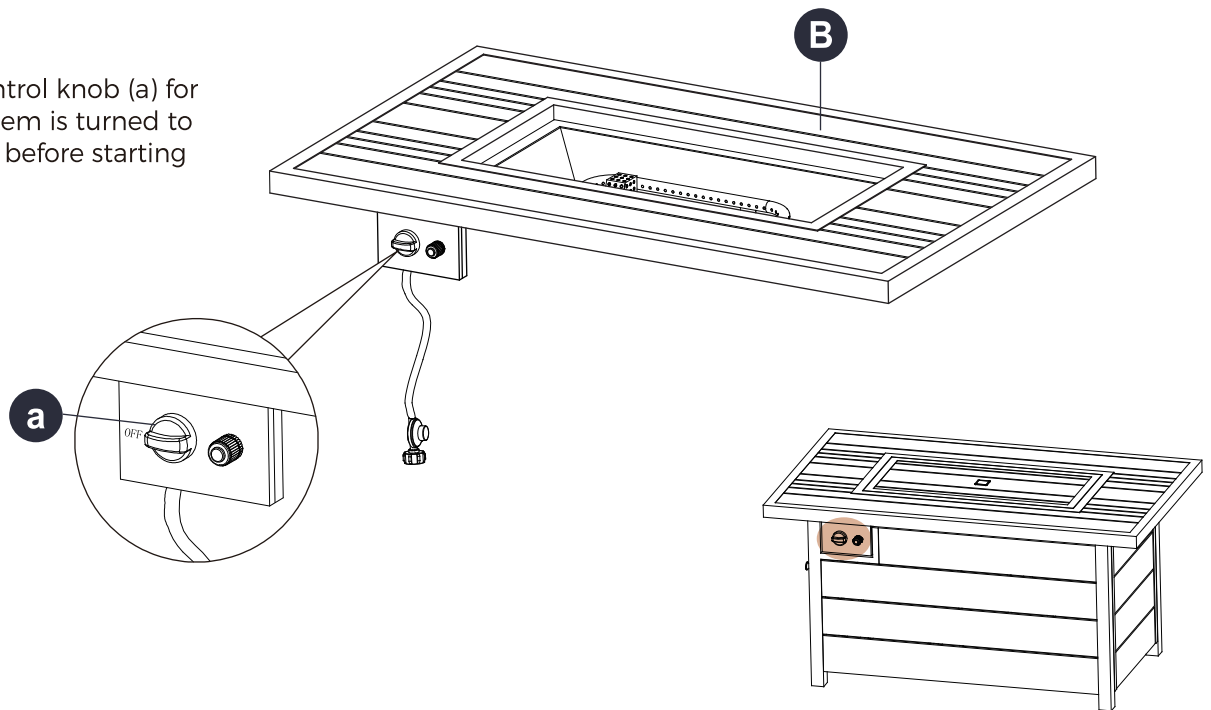
Happy Families
Through
Happy Living

E-mail: happatio@hotmail.com
Facebook: @happatio



STEP 1

Check that the control knob (a) for the gas supply system is turned to the "OFF" position before starting any assembly.

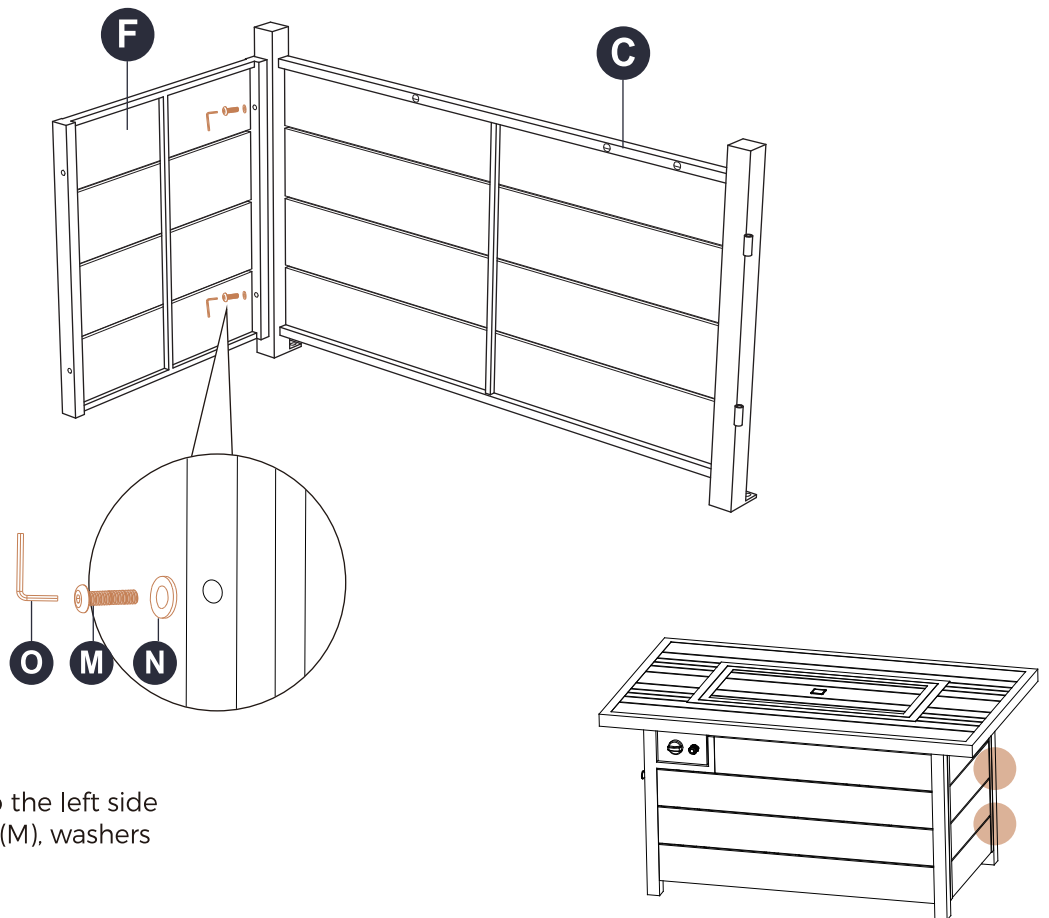


STEP 2

O
Wrench
1PC

M
M6X35MM Bolt
2PC

N
Steel Washer
2PC



Attach the back side panel (F) to the left side panel (C) using two M6X35 bolt (M), washers (N) one wrench (O).

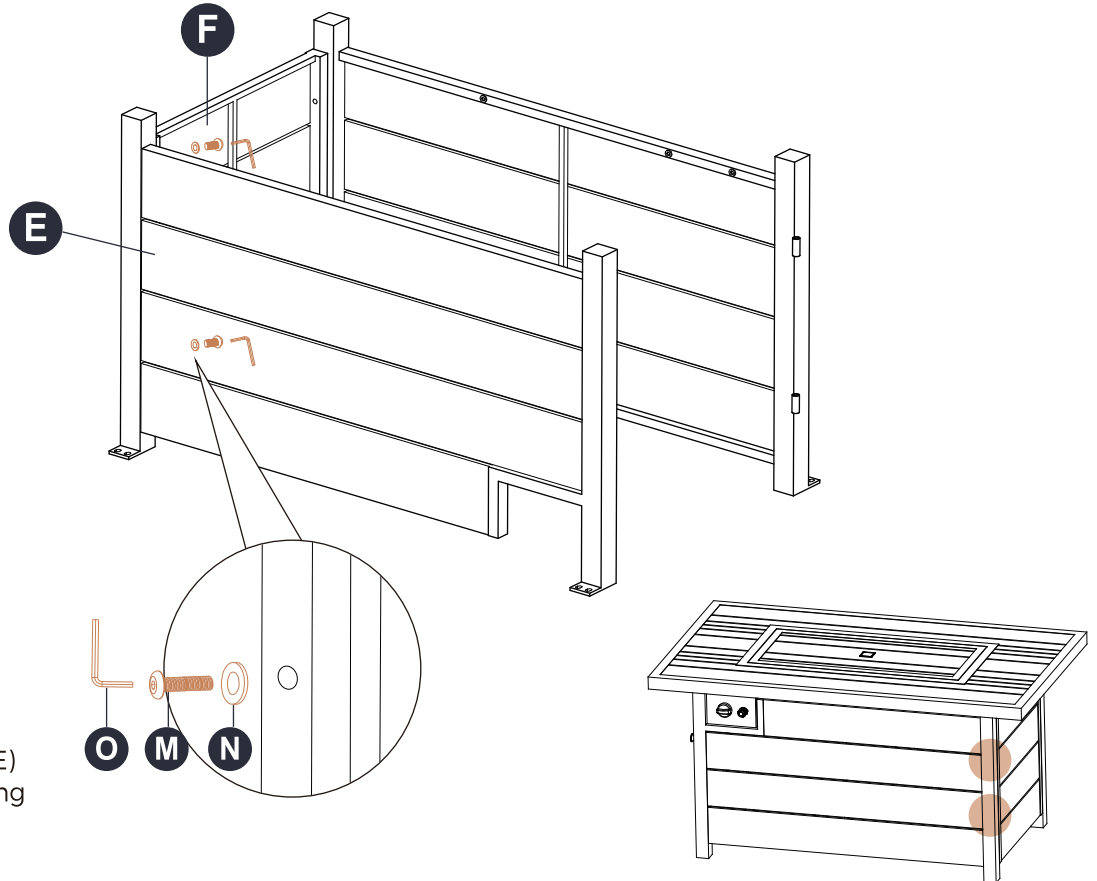
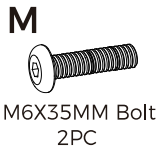
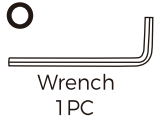


Happy Families
Through
Happy Living

E-mail: happatio@hotmail.com
Facebook: @happatio

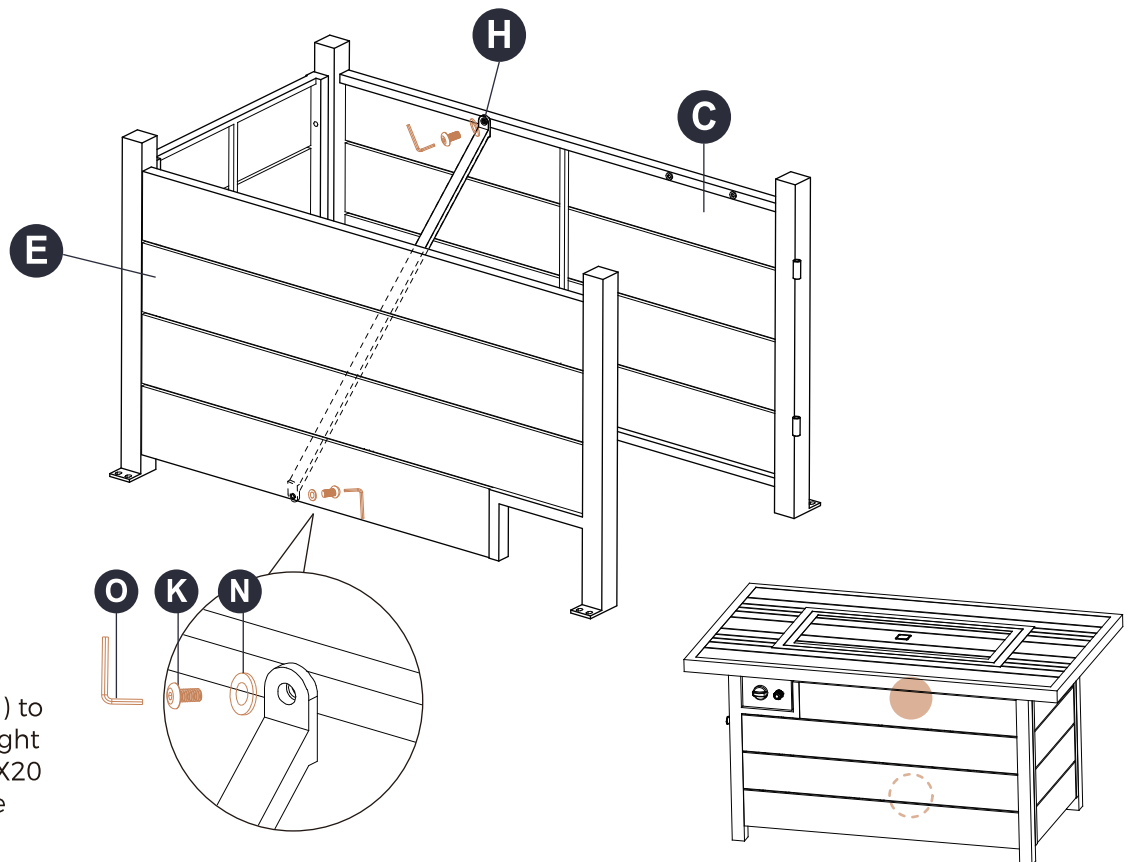


STEP 3



Attach the right side panel (E) to the back side panel (F) using two M6X35 bolt (M), washers (N) one wrench (O).

STEP 4



Attach the support frame (H) to the left side panel (C) and right side panel (E) using two M6X20 bolt (K), two washers (N) one wrench (O).



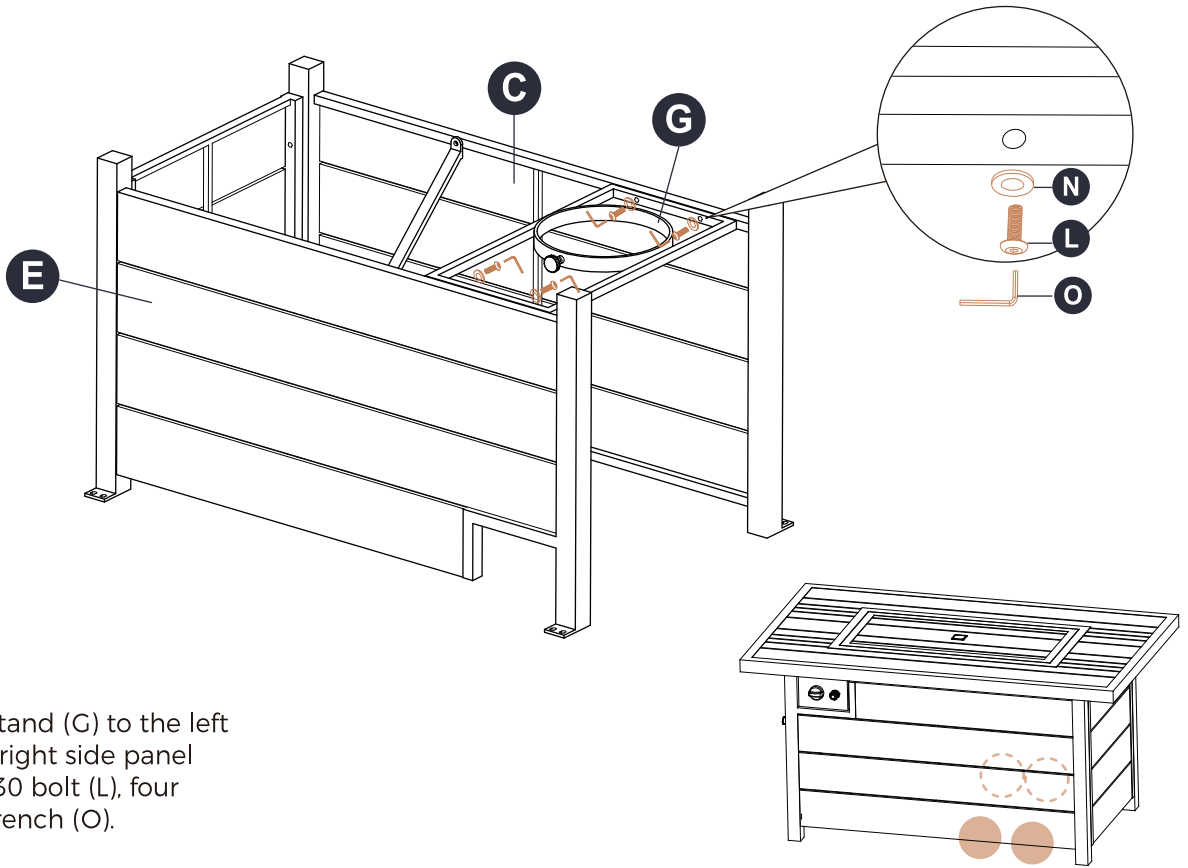
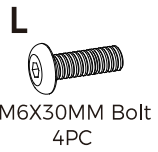
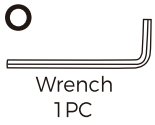
Happy Families
Through
Happy Living

E-mail: happatio@hotmail.com

Facebook: @happatio

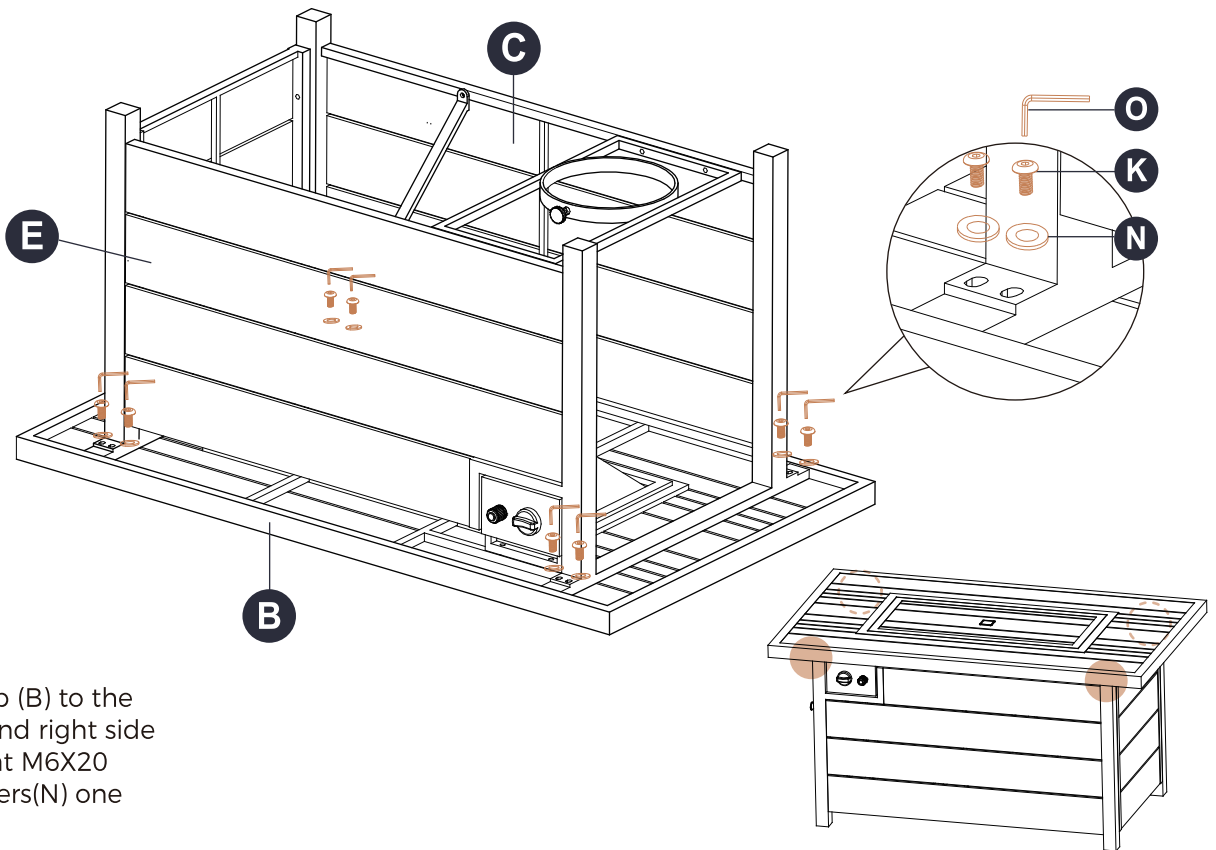
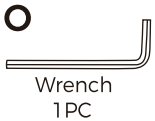


STEP 5



Attach the Metal Stand (G) to the left side panel (C) and right side panel (E) using four M6X30 bolt (L), four washers (N) one wrench (O).

STEP 6



Attach the table top (B) to the left side panel (C) and right side panel (E) using eight M6X20 bolt (K), eight washers (N) one wrench (O).

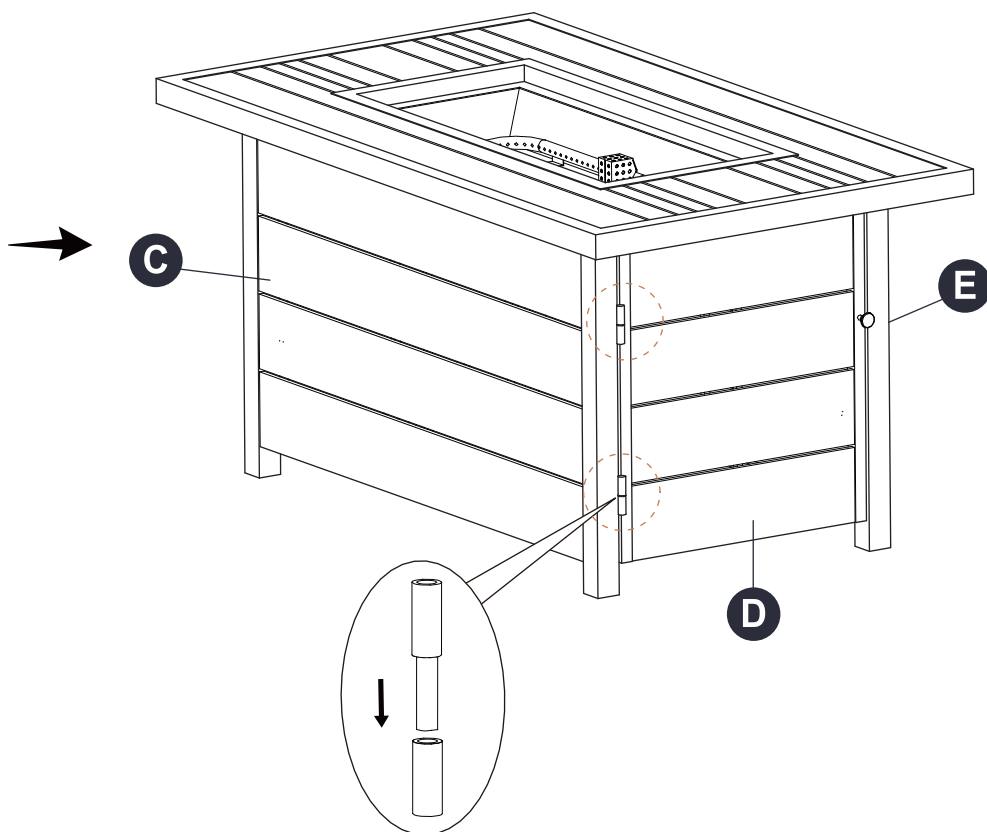
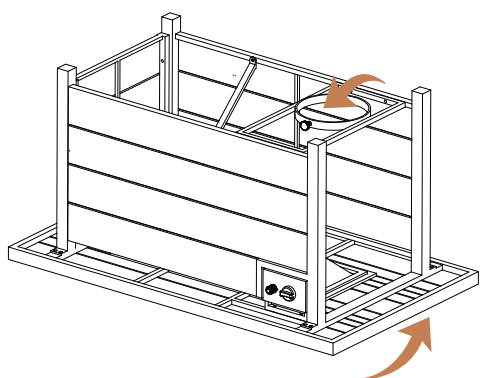


Happy Families
Through
Happy Living

E-mail: happatio@hotmail.com
Facebook: @happatio

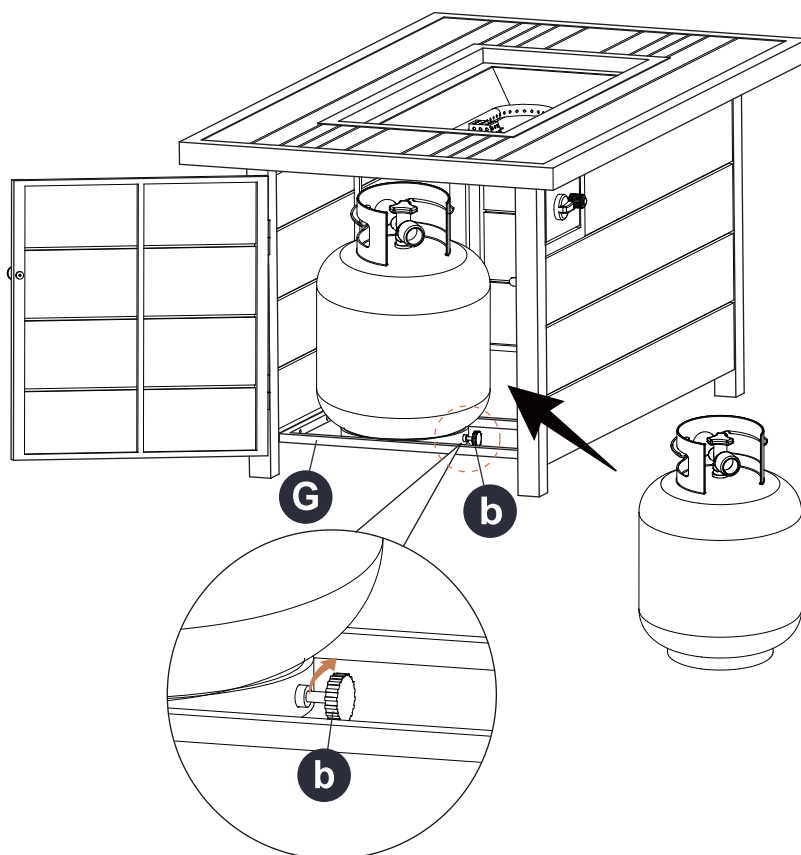


STEP 7



Insert the door panel (D) to the left side panel (C).

STEP 8



Place propane gas tank (not included) into the metal stand (G).
Make sure the gas tank sits on the metal stand (G) completely.
Turn the pre-assembled screw (b) on the outer part of metal stand (G) clockwise to secure the propane gas tank tightly.

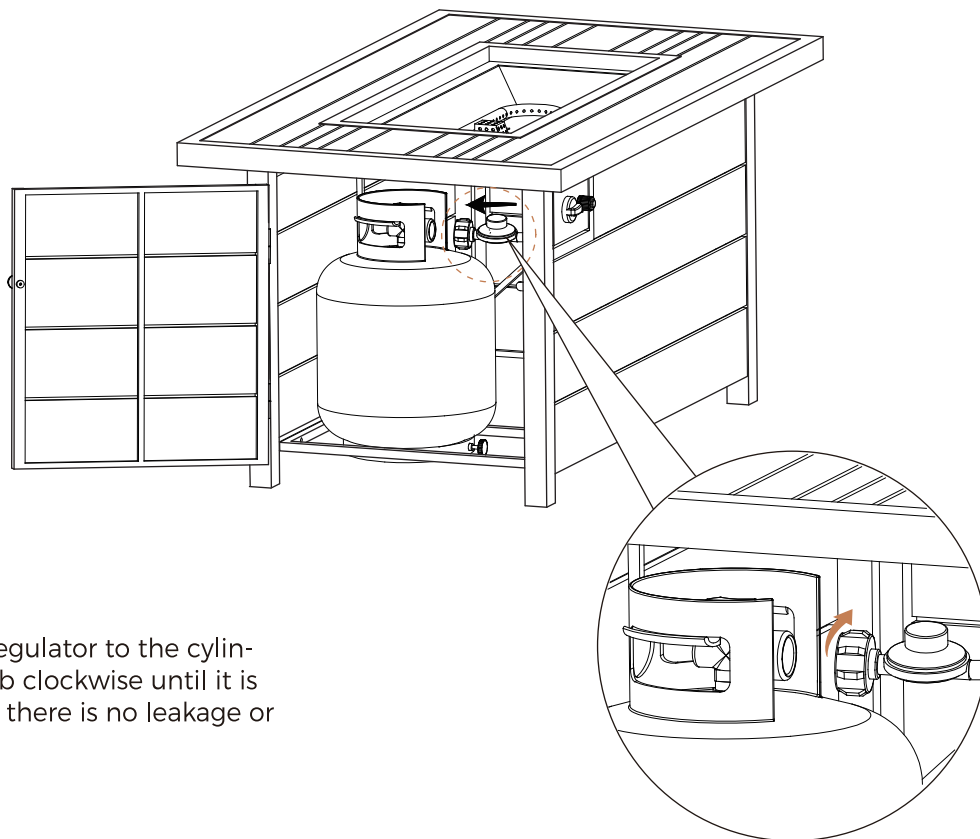


Happy Families
Through
Happy Living

E-mail: happatio@hotmail.com
Facebook: @happatio

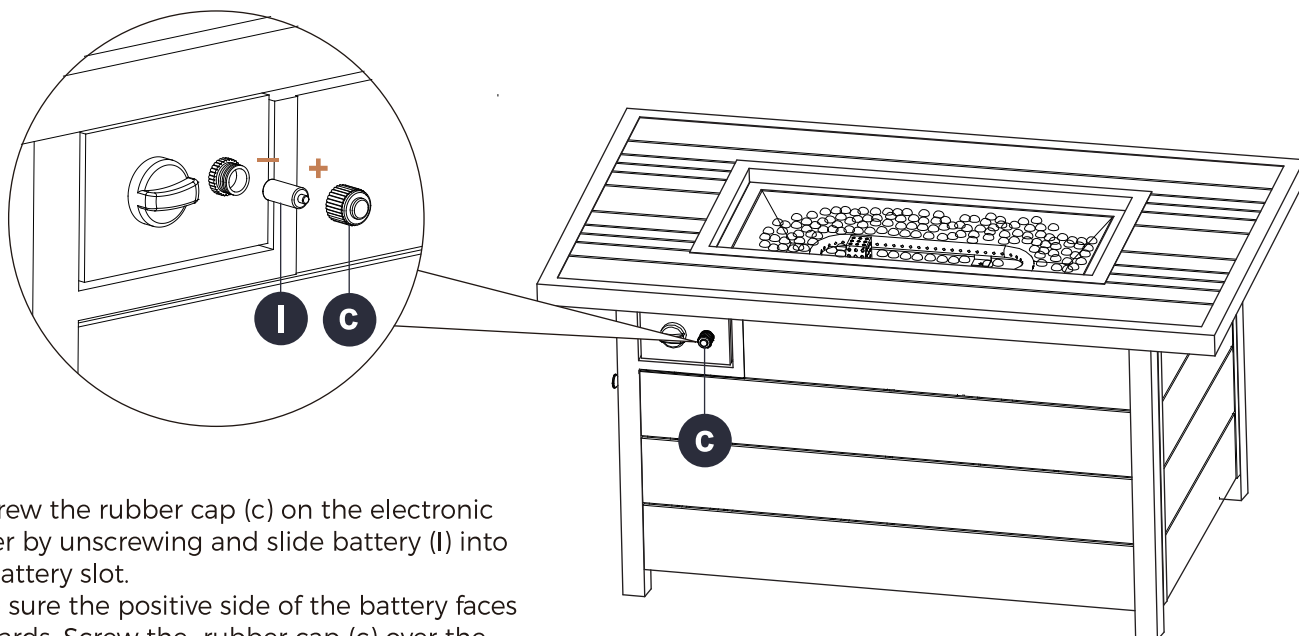


STEP 9



Connect the pressure regulator to the cylinder by rotating the knob clockwise until it is fully secured. Make sure there is no leakage or damage.

STEP 10



Unscrew the rubber cap (c) on the electronic igniter by unscrewing and slide battery (I) into the battery slot. Make sure the positive side of the battery faces outwards. Screw the rubber cap (c) over the battery tightly.

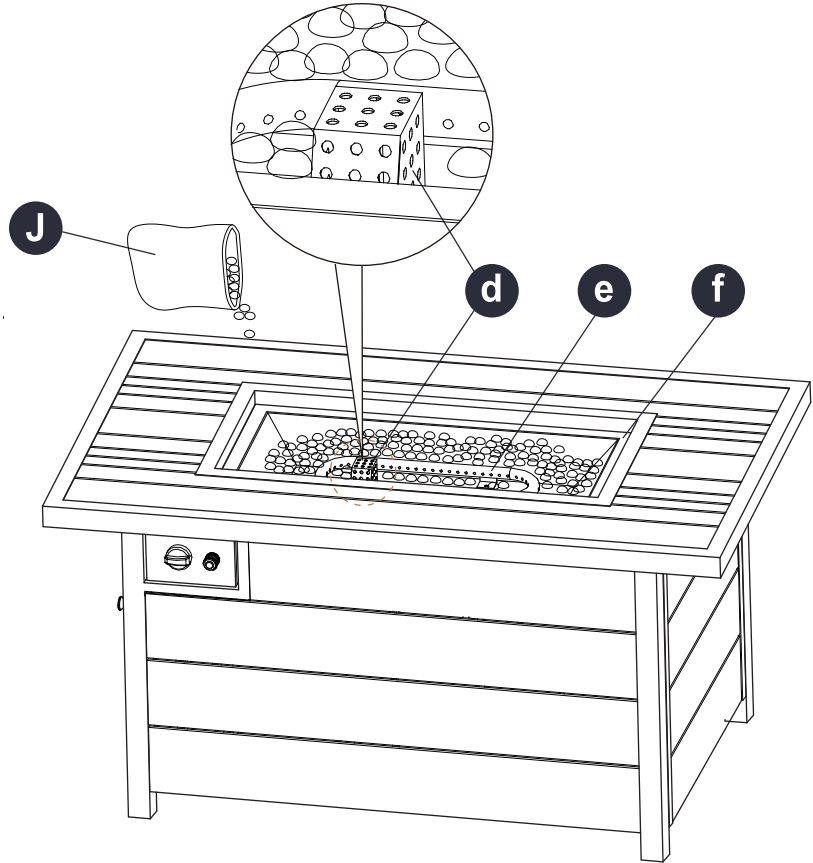


Happy Families
Through
Happy Living

E-mail: happatio@hotmail.com
Facebook: @happatio



STEP 11

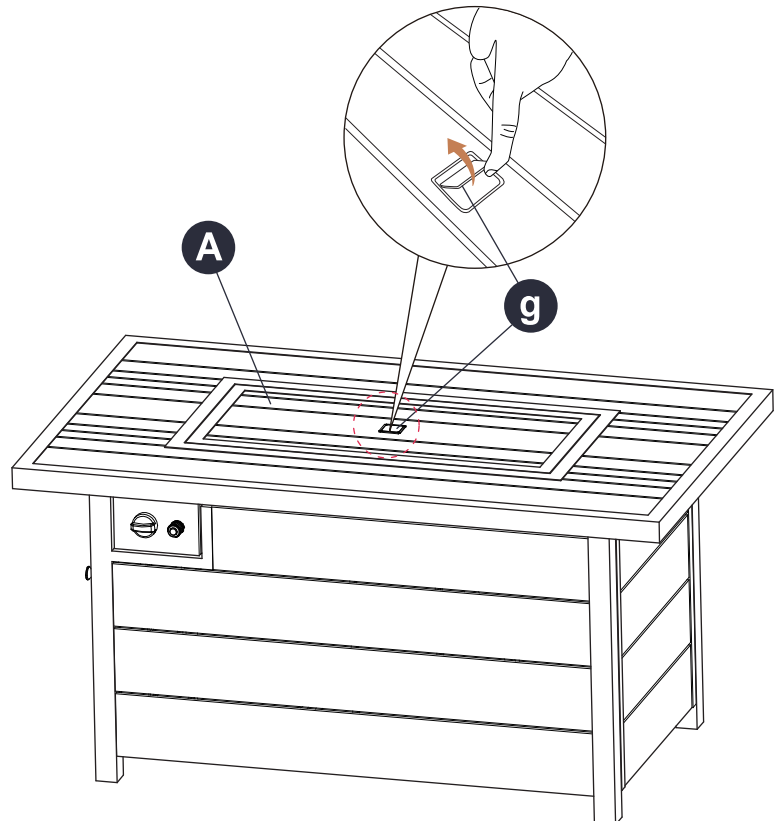


Pour the box of lava glass (J) into the firebowl (f).

⚠ CAUTION

To ensure proper function, the guard (d) on this burner (e) should be free of lava glass rocks at all time.

STEP 12



The ring-pull (g) was hidden on the cover plate (A).

The cover plate (A) can be easily picked up through the ring-pull (g) by gently pressing on one side of the ring-pull (g).

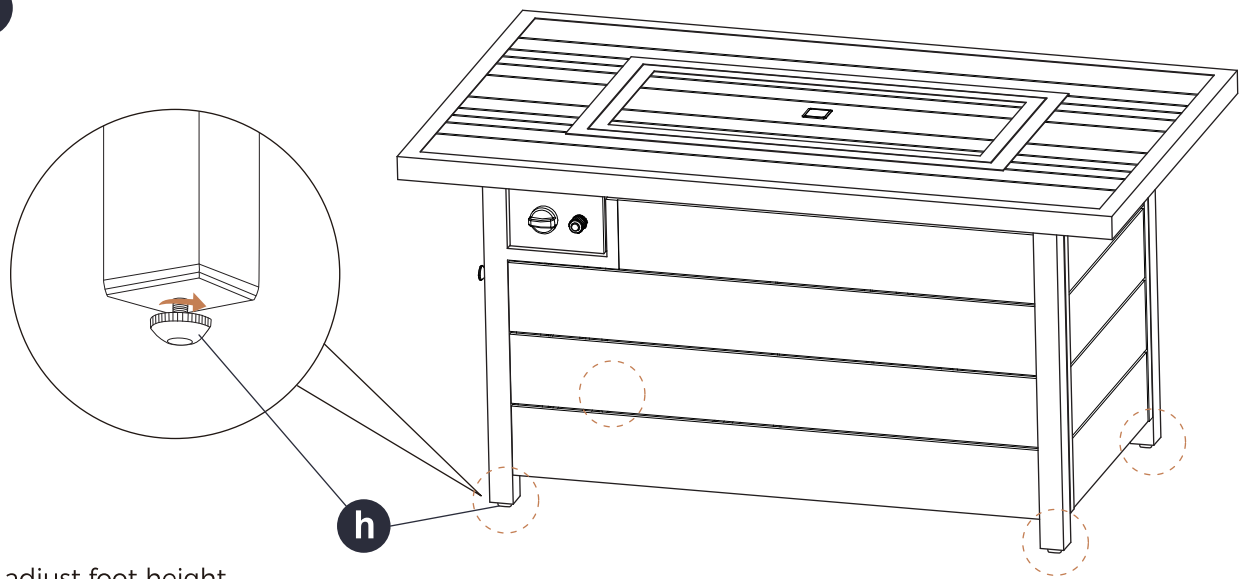


Happy Families
Through
Happy Living

E-mail: happatio@hotmail.com
Facebook: @happatio



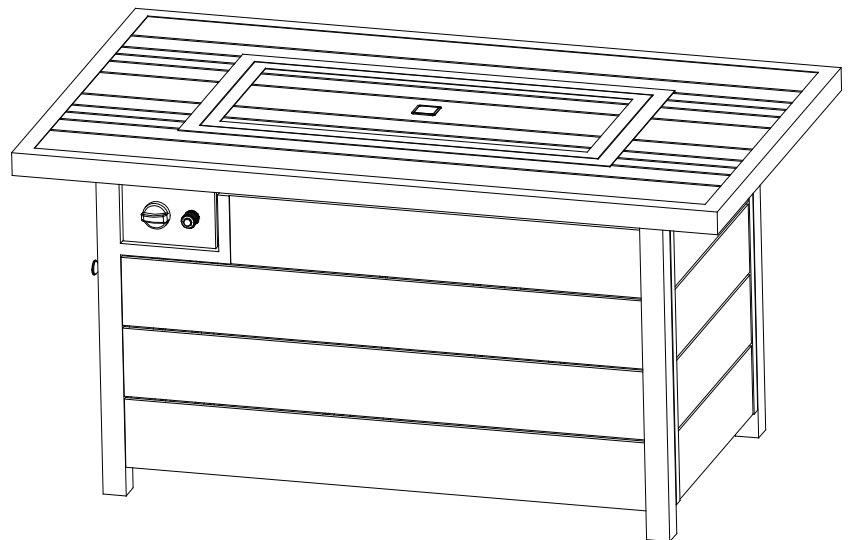
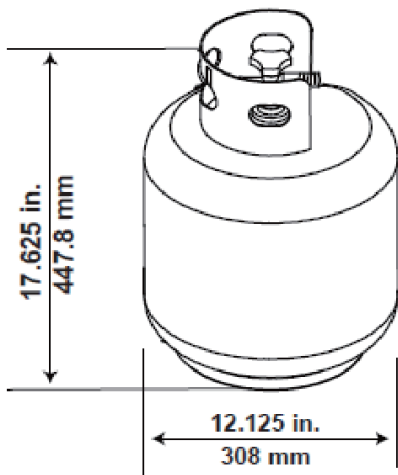
STEP 13



It's available to adjust foot height through leveler (h) regarding ground condition to keep fire table in balance. Loosening the leveler (h) will raise the leg, and tightening the leg will lower it.

Complete

**Please use 20LBS propane tank
(not included)**



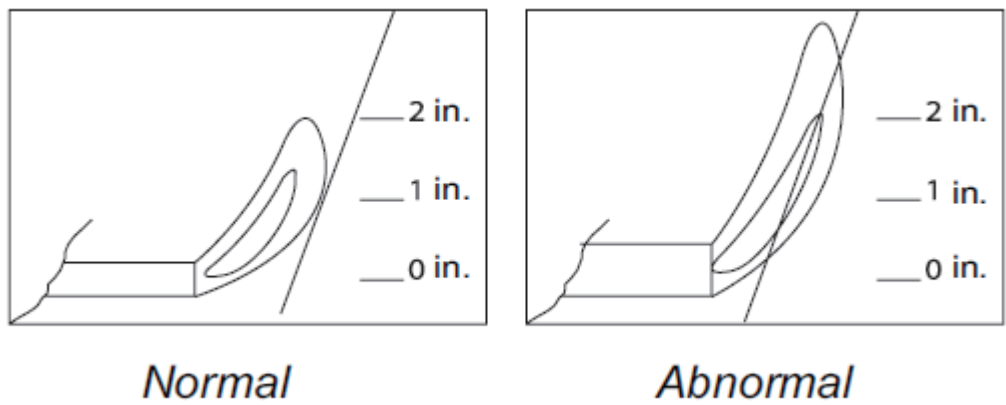
Happy Families
Through
Happy Living

E-mail: happatio@hotmail.com
Facebook: @happatio



Operation

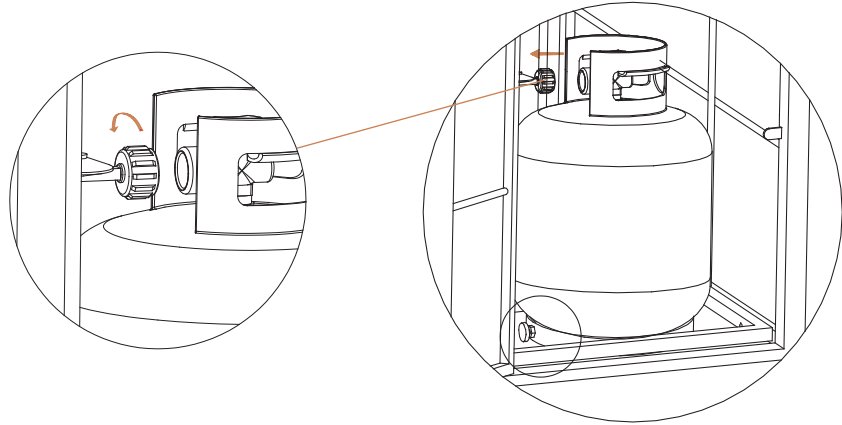
- ★ Before performing a leak test, be sure that no sparks can occur in your vicinity and set yourself in a spacious outdoor area. Connect the propane gas tank to the regulator and turn the valve on the unit to the "OFF" position.
- ★ Brush a soap and water mixture on all connections. Turn the gas supply on; if bubbles occur on any connection there may be a leak. If you smell gas or a leak is discovered, turn the gas valve off, disconnect the propane gas tank, and do not use the appliance until the leak is repaired.
- ★ Do not use the heating unit without inspecting the gas hose.
- ★ If there are signs of wear or abrasion you must replace the hose (if applicable). Lava Glass could pop up and strike somebody's face during the process of lighting this unit; stand away from the unit for the first 20 minutes after igniting. Flames should be yellow/blue in color and between 2-10 inches in height. Wait five minutes after extinguishing the flame prior to placing a lid (if applicable) or protective cover on the heating item.
- ★ **To Light:**
 1. Make sure the control knob is in the "OFF" position.
 2. Open the door (D). Slowly open the valve on the propane gas tank by turning the knob counterclockwise.
 3. Close the door (D).
 4. Push and hold in the electronic igniter (C) to create sparks within the electrode, continue to hold.
 5. Push in the control knob (a) and turn to the "🔥" position. Keep holding down the control knob (a) to allow gas to flow for 15 seconds.
 6. If ignition doesn't occur within a few seconds, release the control knob (a) and rotate to the "OFF" position. Wait for five minutes for gas to clear and then repeat the above lighting instructions.
 7. Once the fire is lit, the flame intensity may be controlled by turning the control (a) knob between the "🔥" and "🔥" positions.



Operation

★ To Extinguish

1. Push in the gas control knob slightly and turn to the "OFF" position.
2. Turn the knob counterclockwise to detach the pressure regulator from the cylinder.
3. If needed, you can use soapy water to check if there is gas leakage at the outlet.



Maintenance

- ★ Before performing any maintenance always disconnect the propane gas tank.
- ★ Keep the heating item free and clear from combustible materials.
- ★ Visually inspect the burner for obstructions and keep the tank enclosure free and clear from debris.
- ★ Use a soft brush to get rid of the mild stains, loose dirt, and soil after the burner and pumice stones/lava rocks/Lava Glass are completely cooled down. Then, wipe down with a soft cloth.
- ★ Harsh weather conditions may cause stubborn stains, discoloration, and possibly rust pitting.
- ★ Permanent damage may occur if powder or solvent comes in contact with painted or plastic components on this heating unit.
- ★ Keep the heating unit stored away from direct sunlight.
- ★ If storing this unit inside, disconnect the propane gas tank from the gas valve and store it separately, outdoors.
- ★ Not using manufacturer-approved or supplied parts and/or accessories may result in a defective product and may void the warranty of this heating unit.
- ★ If you have a lid or protective cover, always place it on the heating item when the heating item is not in use.



**Happy Families
Through
Happy Living**

**E-mail: happatio@hotmail.com
Facebook: [@happatio](https://www.facebook.com/happatio)**

