



INLIGHT is registered trademarks of Inlight Co. Ltd. All Rights Reserved.

# Installation Guide

**Questions, problems, missing parts?**

## All Purpose Under Cabinet Fixture

Contact the customer service department at [info@getinlight.com](mailto:info@getinlight.com)

We commit to respond to emails within 24 hours - and sooner, if possible!  
We are devoted to solving problems and offering the best service to our customers.

Model #

IN-0201-11-XX, IN-0201-12-XX  
IN-0201-13-XX, IN-0201-14-XX

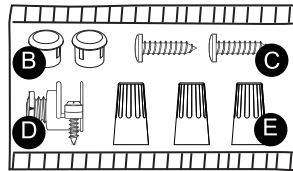
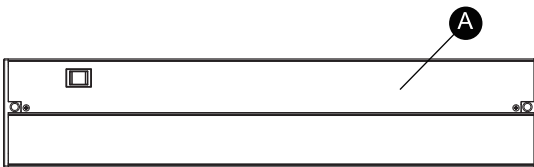


**PLEASE READ THESE INSTRUCTIONS BEFORE COMMENCING INSTALLATION AND RETAIN FOR FUTURE REFERENCE.**



**ATTACH YOUR RECEIPT HERE**  
Purchase Date \_\_\_\_\_

### Package Contents



\* Hardware kit is packed in the wire compartment of the fixture.

Piece	Description	Quantity
A	Fixture	1
B	Screw Cap	2
C	Wood Screws	3
D	Strain Relief	1
E	Wire Nuts	3

## WARNING

### RISK OF ELECTRIC SHOCK

- DO NOT USE IN WET LOCATIONS.
- USE INDOORS ONLY.
- USE ONLY INSULATED STAPLES OR PLASTIC TIES TO SECURE THE CORDS.
- ROUTE AND SECURE THE CORDS SO THAT THEY WILL NOT BE PINCHED OR DAMAGED.
- DO NOT ATTEMPT TO INSTALL WHILE PLUGGED IN.

### NO SERVICEABLE PARTS

### NON-REPLACEABLE LEDS

LED LIGHT OUTPUT IS STRONG ENOUGH TO INJURE HUMAN EYES. PRECAUTIONS MUST BE TAKEN TO PREVENT LOOKING DIRECTLY AT THE LEDS WITH UNPROTECTED EYES FOR MORE THAN A FEW SECONDS.

**FOLLOW ALL NATIONAL ELECTRIC CODES (NEC) AND LOCAL CODES.**

### RISK OF FIRE

- NOT INTENDED FOR ILLUMINATION OF AQUARIUMS.
- NOT INTENDED FOR RECESSED INSTALLATION IN CEILINGS OR SOFFITS.
- DO NOT CONCEAL POWER SUPPLY CORD INSIDE A WALL, CEILING, SOFFIT, KITCHEN CABINET, OR SIMILAR PERMANENT STRUCTURE.
- DO NOT RUN THE POWER SUPPLY CORD THROUGH HOLES IN WALLS, CEILINGS, OR FLOORS.
- NOT INTENDED FOR SURFACE INSTALLATION INSIDE BUILT-IN FURNISHINGS SUCH AS KITCHEN CABINETS, CHINA CABINETS, OR TROPHY CASES.
- DO NOT MOUNT OVER SINKS OR STOVES.
- EXTENDABLE UP TO 20 UNITS MAXIMUM. THE TOTAL WATTAGE OF ALL THE FIXTURES LINKED TOGETHER IN ONE CHAIN SHOULD NOT EXCEED 200 WATTS. EXCEEDING THE TOTAL WATTAGE WILL RESULT IN A HAZARDOUS SITUATION.

### Warranty

#### 3-YEAR LIMITED WARRANTY

The manufacturer warrants this product to be free from defects in materials and workmanship for a period of three (3) years from date of purchase. This warranty applies only to the original consumer purchaser and only to products used in normal use and service. If this products is found to be defective, the manufacturer's only obligation, and your exclusive remedy, is the repair or replacement of the product at he manufacturer's discretion, provided that the product has not been damaged through misuse, abuse, accident, modifications, alterations, neglect, or mishandling. This warranty shall not apply to any product that is found to have been improperly installed, set-up, or used in any way not in accordance with the instructions supplied with the product. This warranty shall not apply to a failure of the product as a result an accident, misuse, abuse, negligence, alteration, or faulty installation, or any other failure not relating to faulty material workmanship. The manufacturer specifically disclaims any liability and shall not be liable for any consequential or incidental loss or damage, including labor/expense costs involved in the replacement or repair of said product.

Contact the Customer Service Team at [info@getinlight.com](mailto:info@getinlight.com) or visit [www.getinlight.com](http://www.getinlight.com)

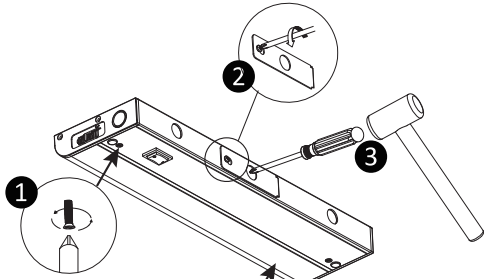
## Hardwire via rear access door

### 1 Prepare the light for installation

- The rear access door that is located in the middle back of the housing also has its own knockout for quick connection to supply wire.

**Note:** See next section if another knockout location is to be used for connection to supply wires.

- Remove cover of wiring compartment by removing screws at each end (See **1**). Remove the hardware kit from the compartment.
- Carefully remove the screw that secures the rear access door using a Philips screwdriver (See **2**) and remove knockout using a hammer or punch. If the knock-out did not break free, use pliers and bend it back and forth until it snaps off. See **3**



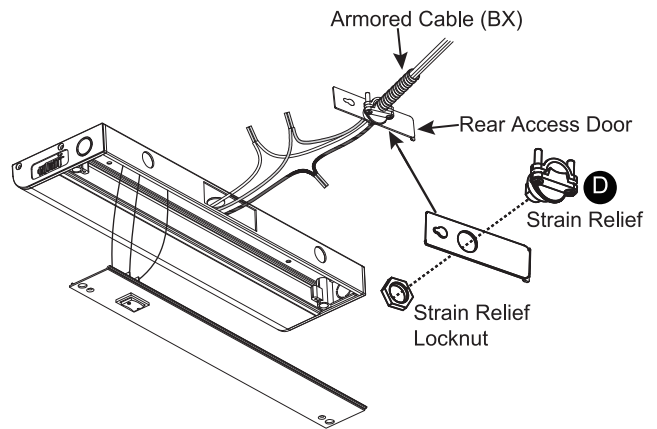
**WARNING:** HIGH VOLTAGE INSIDE!  
DO NOT remove the plastic lens cover.

### 2 Install the strain relief and tighten securely

- Attach the supplied strain relief by inserting the threaded end (from outside the fixture) through the knock-out. Secure the strain relief to the fixture's chassis by tightening the fastener (from inside the fixture).

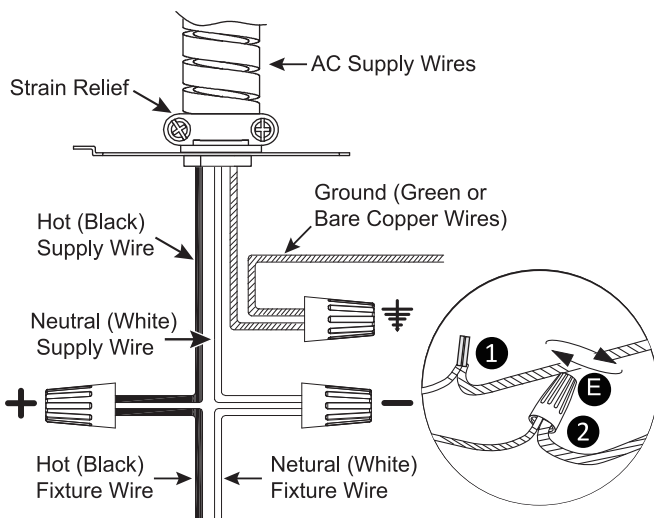
**NOTE:** Remember to have the strain relief screws oriented in a manner that allows you to tighten/loosen the clamp screws after the fixture has been attached to the mounting surface.

- Insert the armored cable through the strain relief and tighten the clamp until it is secure. Allow enough wire length to make the connection.



### 3 Connecting the wires

- Pull 3 wires out of the fixture to allow connection to the branch circuit. Wire nuts suitable for #12-24 AWG solid core wire.
- Strip to expose 3/8" bare wire from the AC supply wires.
- Hold two wires of the same color (one from the fixture, one from the armored cable) next to each other and make sure the two stripped ends sit tightly against each other to guarantee effective connection later (but do not twist wires), See **1**.
- Push wires firmly into wire nut (E). Use your fingers, twist wire nut clockwise until tight. Check for tightness by pulling wires, See **2**.
- Ensure the connectors are spliced tightly and carefully push the spliced wires back into the wire compartment.

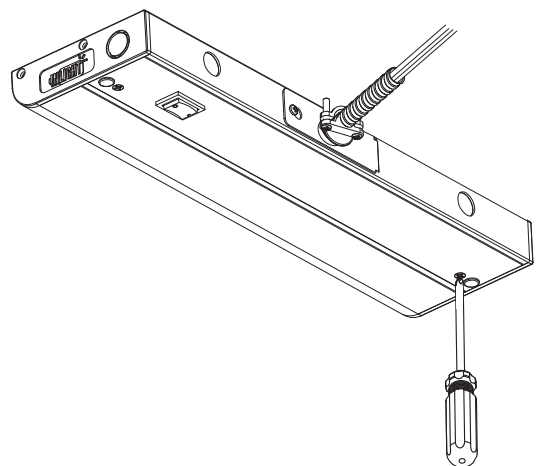


### 4 Re-attach the rear access door

- Re-attach the rear access door by reversing the removal instructions.
- To re-attach the wire compartment cover, tuck all the wires into the wire compartment first, then place the wire compartment cover to the fixture and attach with two screws.

**WARNING:** ENSURE ALL THE WIRES AND CONNECTIONS ARE SEALED PROPERLY INSIDE THE FIXTURE WITHOUT "PINCHING" ANY WIRES.

- Turn on the electricity at the circuit breaker or fuse box.



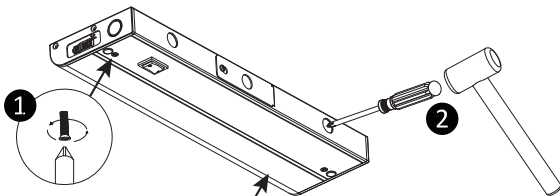
Questions? Contact us at [info@getinlight.com](mailto:info@getinlight.com) for further assistance.

## Hardwire via housing knockouts

### 1 Prepare the light for installation

- Remove cover of wiring compartment by removing screws at each end (See 1).
- Remove the hardware kit from the compartment.
- Knockouts are located along back and top of housing. Punch out whichever knockout is best suited for connection to 120V supply wires. Remove knockout using a hammer or punch. If the knock-out did not break free, use pliers and bend it back and forth until it snaps off. See 2.

**CAUTION:** When removing knock-outs, take care not to damage internal wiring or puncture driver box.



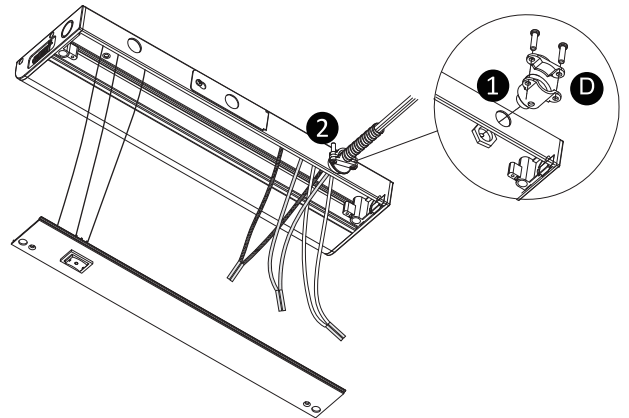
**WARNING:** HIGH VOLTAGE INSIDE!  
DO NOT remove the plastic lens cover.

### 2 Install the strain relief and tighten securely

- Attach the supplied strain relief by inserting the threaded end (from outside the fixture) through the knock-out. Secure the strain relief to the fixture's chassis by tightening the fastener (from inside the fixture). See 1.

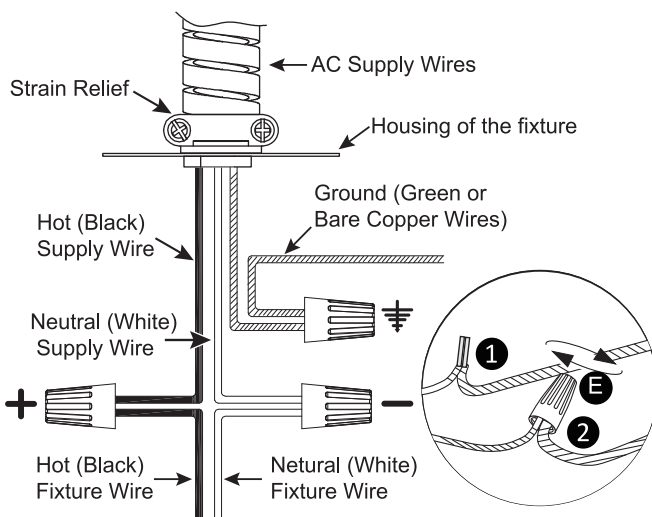
**NOTE:** Remember to have the strain relief screws oriented in a manner that allows you to tighten/loosen the clamp screws after the fixture has been attached to the mounting surface.

- Insert the armored cable through the strain relief and tighten the clamp until it is secure. Allow at least 3" of wire extend into the wiring compartment to make the connection. See 2.



### 3 Connecting the wires

- Pull 3 wires out of the fixture to allow connection to the branch circuit. Wire nuts suitable for #12-24 AWG solid core wire.
- Strip to expose 3/8" bare wire from the AC supply wires.
- Hold two wires of the same color (one from the fixture, one from the armored cable) next to each other and make sure the two stripped ends sit tightly against each other to guarantee effective connection later (but do not twist wires), See 1.
- Push wires firmly into wire nut (E). Use your fingers, twist wire nut clockwise until tight. Check for tightness by pulling wires, See 2.
- Ensure the connectors are spliced tightly and carefully push the spliced wires back into the wire compartment.

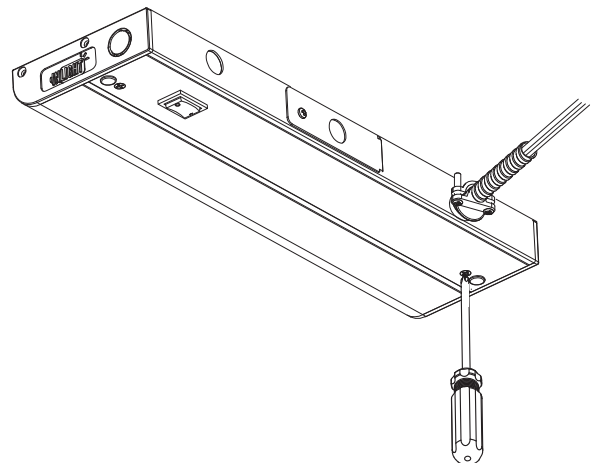


### 4 Re-attach the cover of wiring compartment

- To re-attach the wire compartment cover, screw the two screws into the housing. Tuck all the wires into the wire compartment first, then place the wire compartment cover to the fixture and attach with screws.

**WARNING:** ENSURE ALL THE WIRES AND CONNECTIONS ARE SEALED PROPERLY INSIDE THE FIXTURE WITHOUT "PINCHING" ANY WIRES.

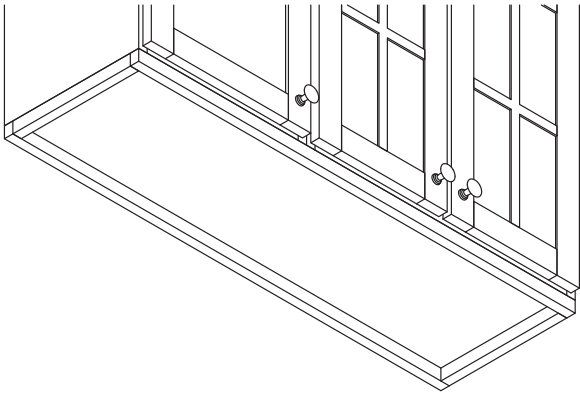
- Turn on the electricity at the circuit breaker or fuse box.



## Mounting Installation

### 1 Prepare the light for installation

- DO NOT ATTEMPT TO INSTALL LED LIGHT BAR WHILE PLUGGED IN.
- Make sure the mounting surface is capable of supporting the fixture.
- Locate position where LED light bar should be mounted. Make sure the 6 ft. power supply cord will reach the nearest electrical outlet.

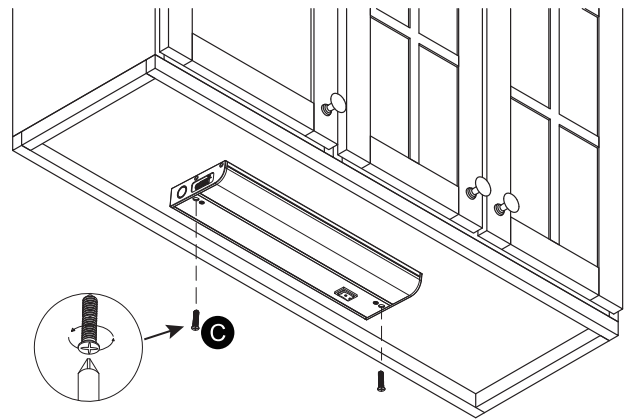


### 2 Mount the light fixture

- Attach the light to the desired surface using the fixture mounting screws (C). Tighten the screws securely.

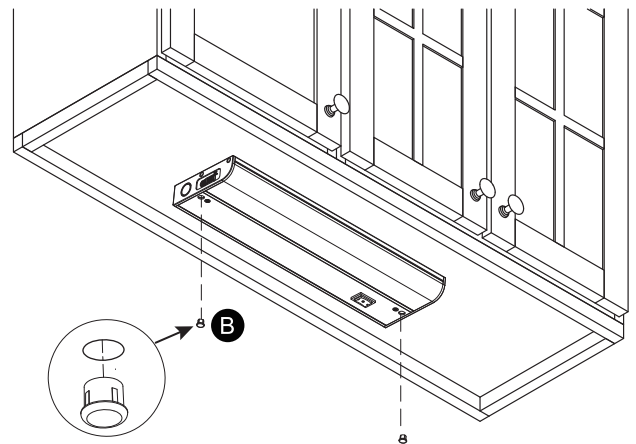
**Note:** The fixture mounting screws are suitable for cabinet bottoms 1/2 in. or thicker. Use shorter screws for thinner cabinet bottoms.

**Note:** In some installations it may be desired to drill a pilot hole for the screws. Place the fixture in the desired position and drive mounting screws a small amount to impart a little to leave a mark on the cabinet bottom for drilling. Using a 1/16" drill bit to drill the pilot holes for the screws.



### 3 Attach the screw caps and check installation

- Install the 2 screw caps (B).
- Restore power to the electrical circuit at the service panel and check installation.
- Turn on the switch to light the fixture.



Questions, problems, missing parts? Before returning to the store, contact Inlight Customer Service

[info@getinlight.com](mailto:info@getinlight.com)

Retain this manual for future use.

 is a trademark of Inlight Co. Ltd.