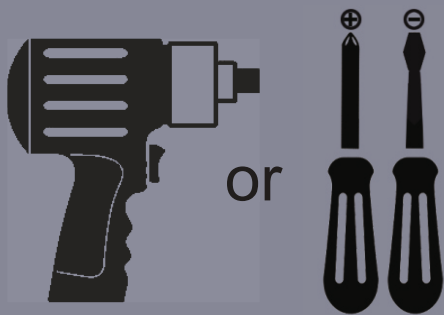


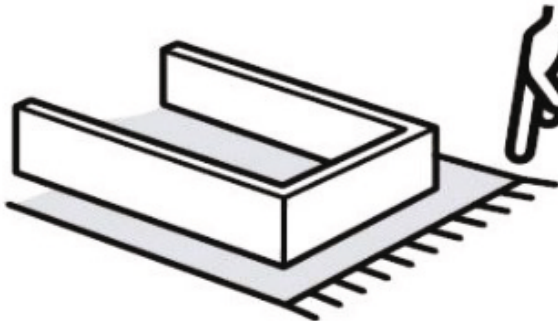
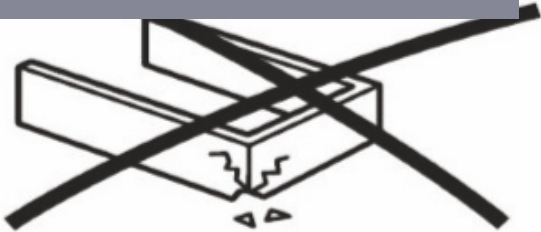
Tv Stand

assembly guide

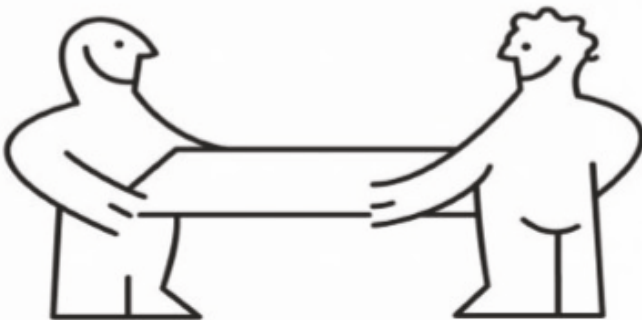
before you start



Get required installation tools prepared.

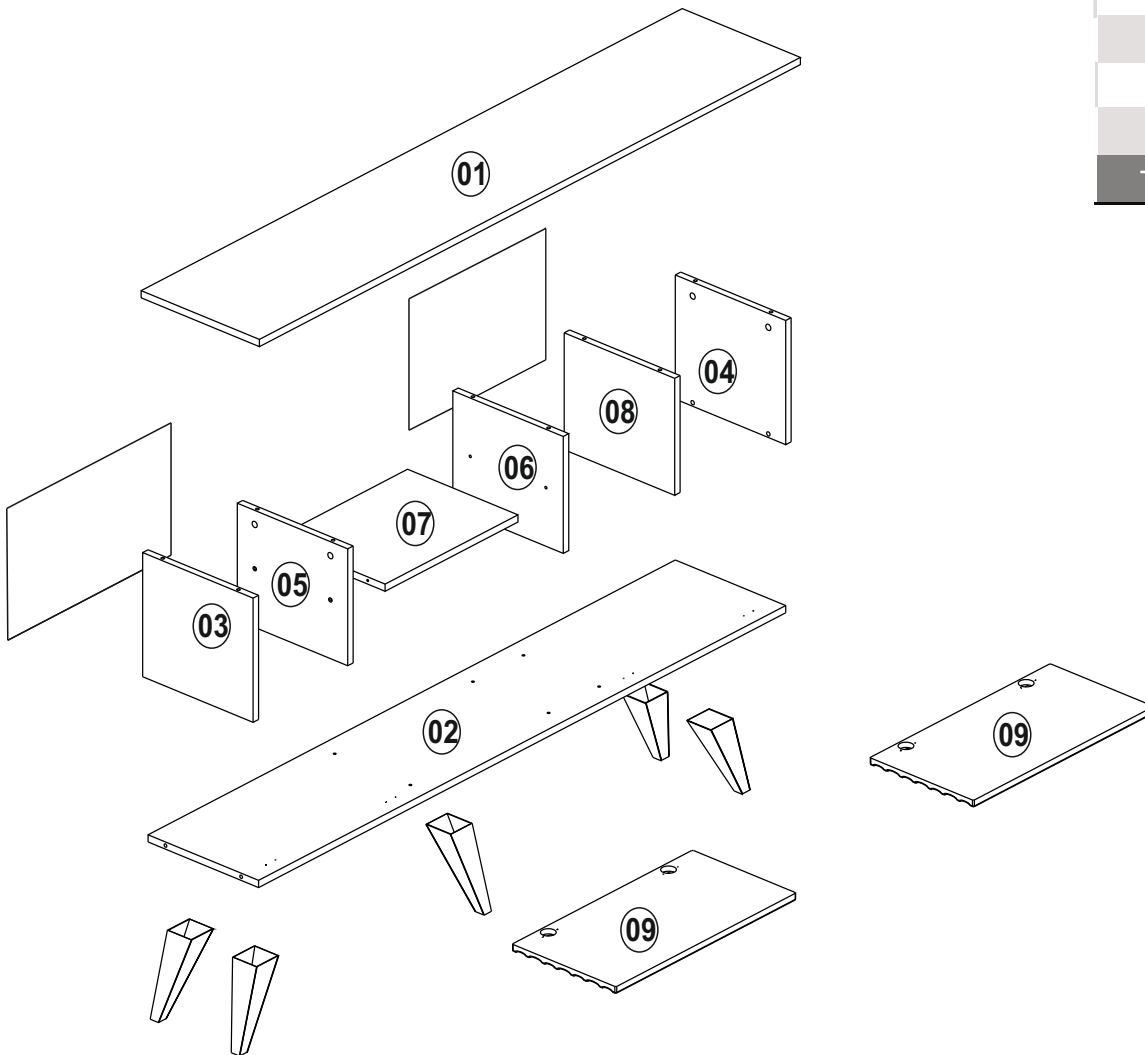



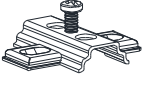

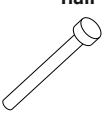


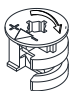

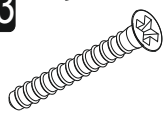
Do not install the product on rough surfaces.



Get help from someone else!

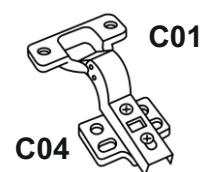
Part1	1x
Part2	1x
Part3	1x
Part4	1x
Part5	1x
Part6	1x
Part7	1x
Part8	1x
Part9	2x
TOTAL	10x



C01 bracelet  4x	C04 pivot  4x	A07 18 mm sticker  10x Oud 14x White
A40 nail 	A09 3-5x18 screw  36x	A39 20 cm feet  5x
A02 minifix head  14x	A03 minifix screw  14x	A13 50 mm screw  10x

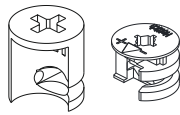


Please be aware that C01(bracket) and C04(pivot) parts may come as attached together.

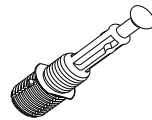


getting familiar with the main components

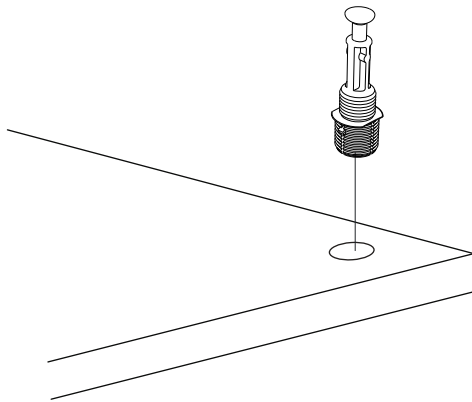
*Minifix is the main connection component used in Decorotika products. Before starting, please check the below figures



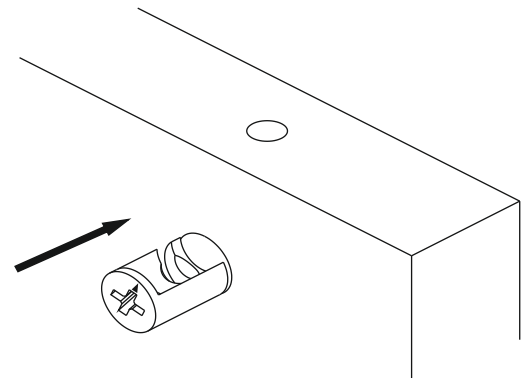
MINIFIX
HEAD



MINIFIX
SCREW



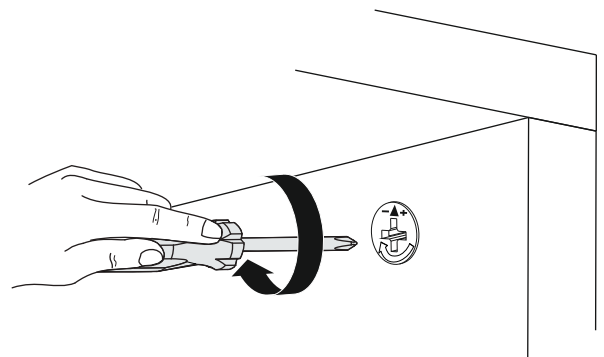
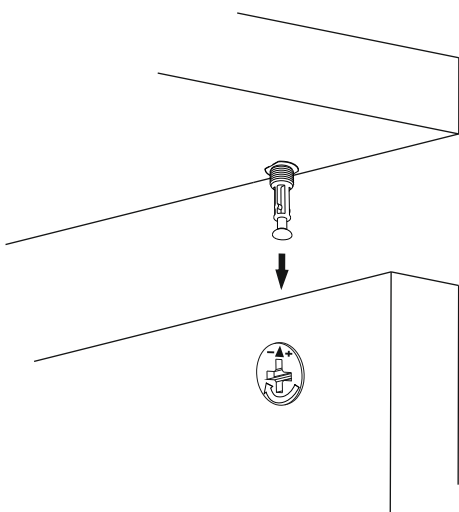
*Please notice that there is a small arrow on A02 (minifix head). This arrow should show the direction of upper hole.

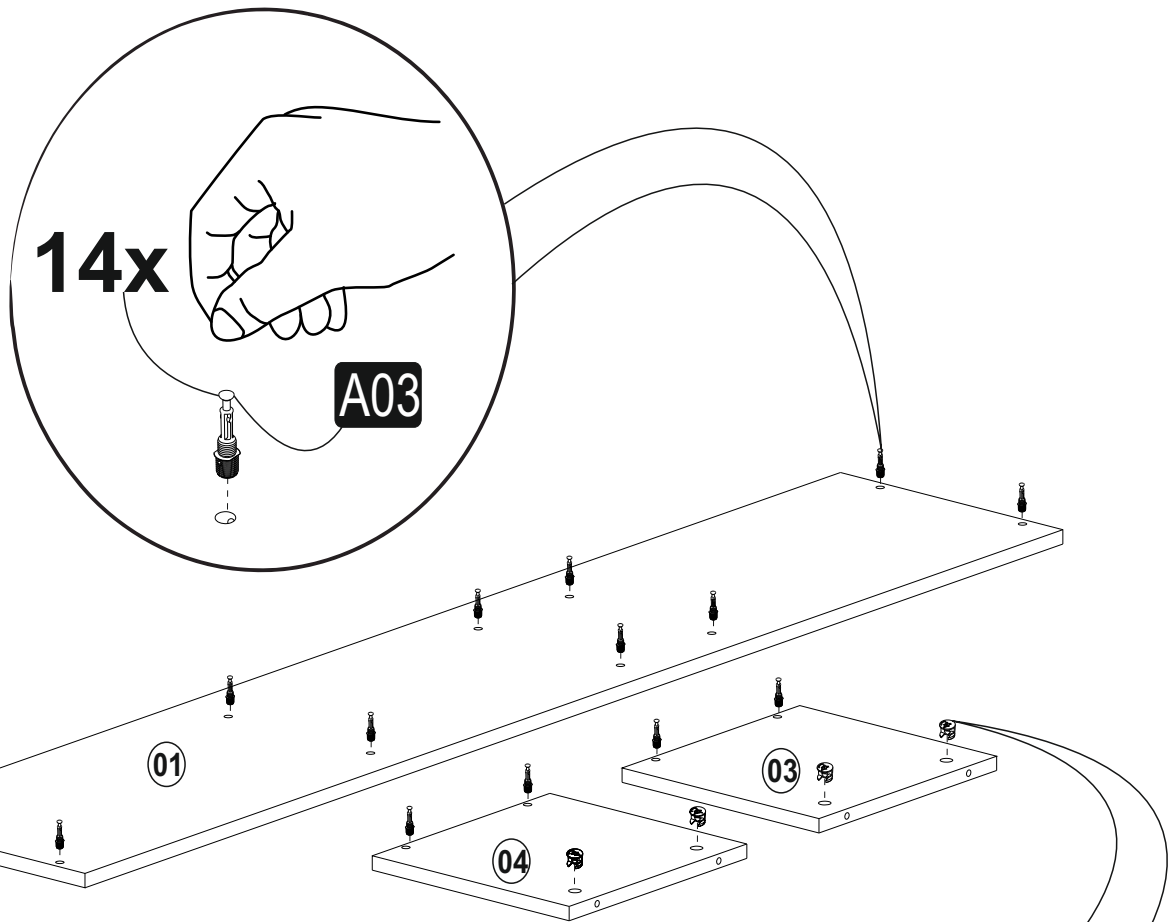


*A02 (minifix head) and A03 (minifix screw) help us to attach two wood pieces each other.

*After attaching two pieces please turn the A02 (minifix head) clockwise direction just a half tour with the help of a screwdriver.

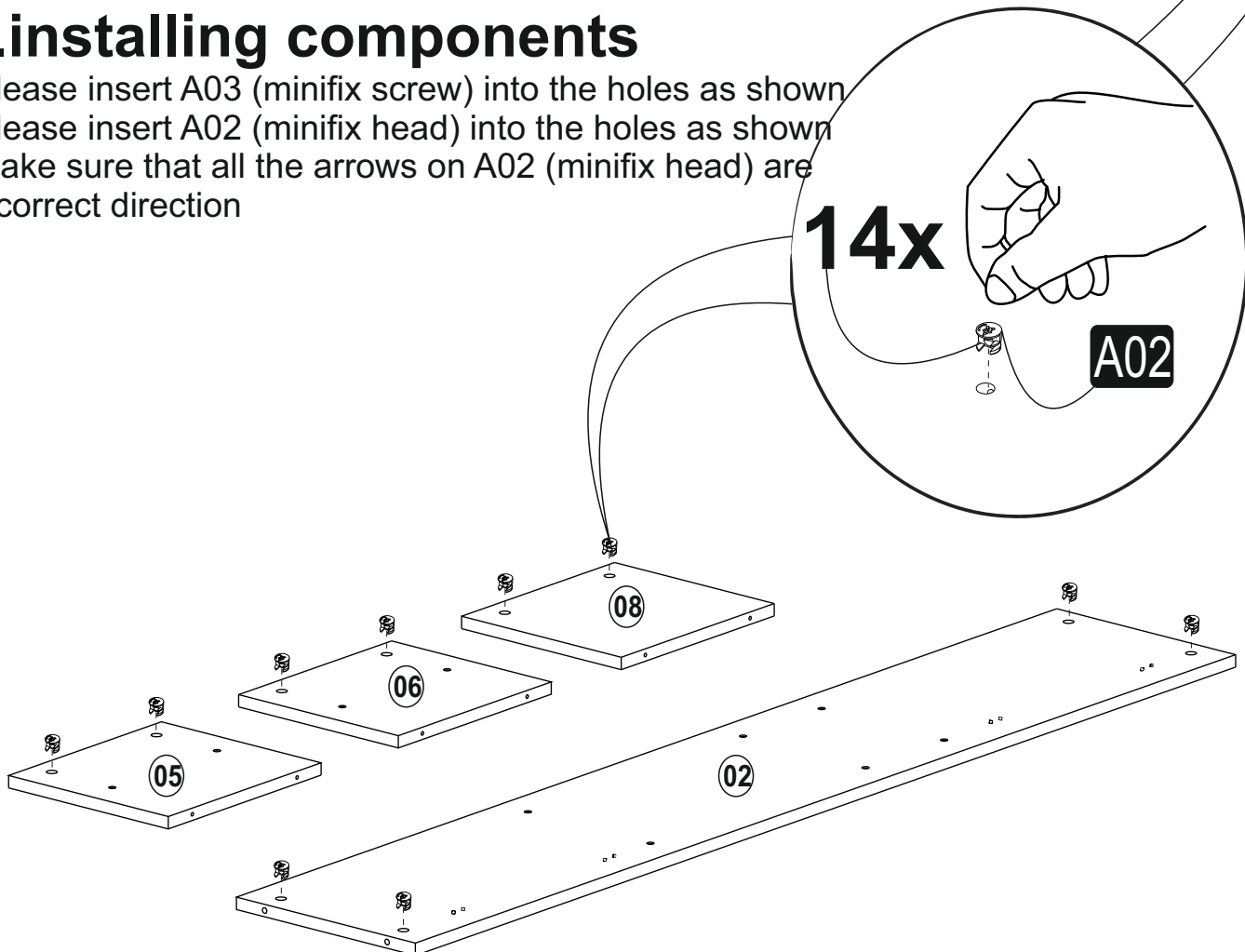
*Please do not over screw the A02 (minifix head) since it may be broken if too much power is imposed. Just make sure that it is screwed to the direction “+” do not go any further.





a. installing components

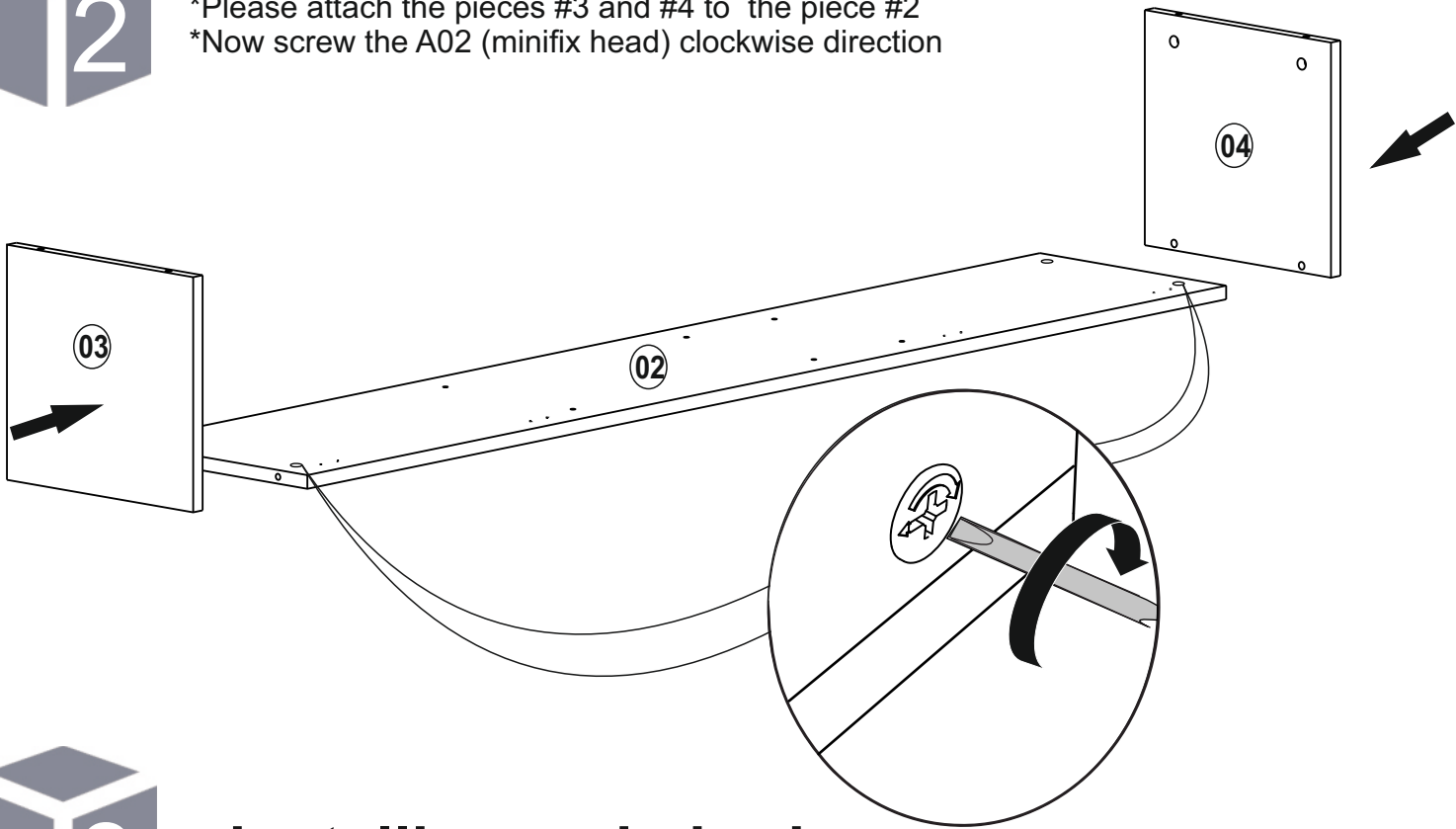
- *Please insert A03 (minifix screw) into the holes as shown
- *Please insert A02 (minifix head) into the holes as shown
- *Make sure that all the arrows on A02 (minifix head) are in correct direction





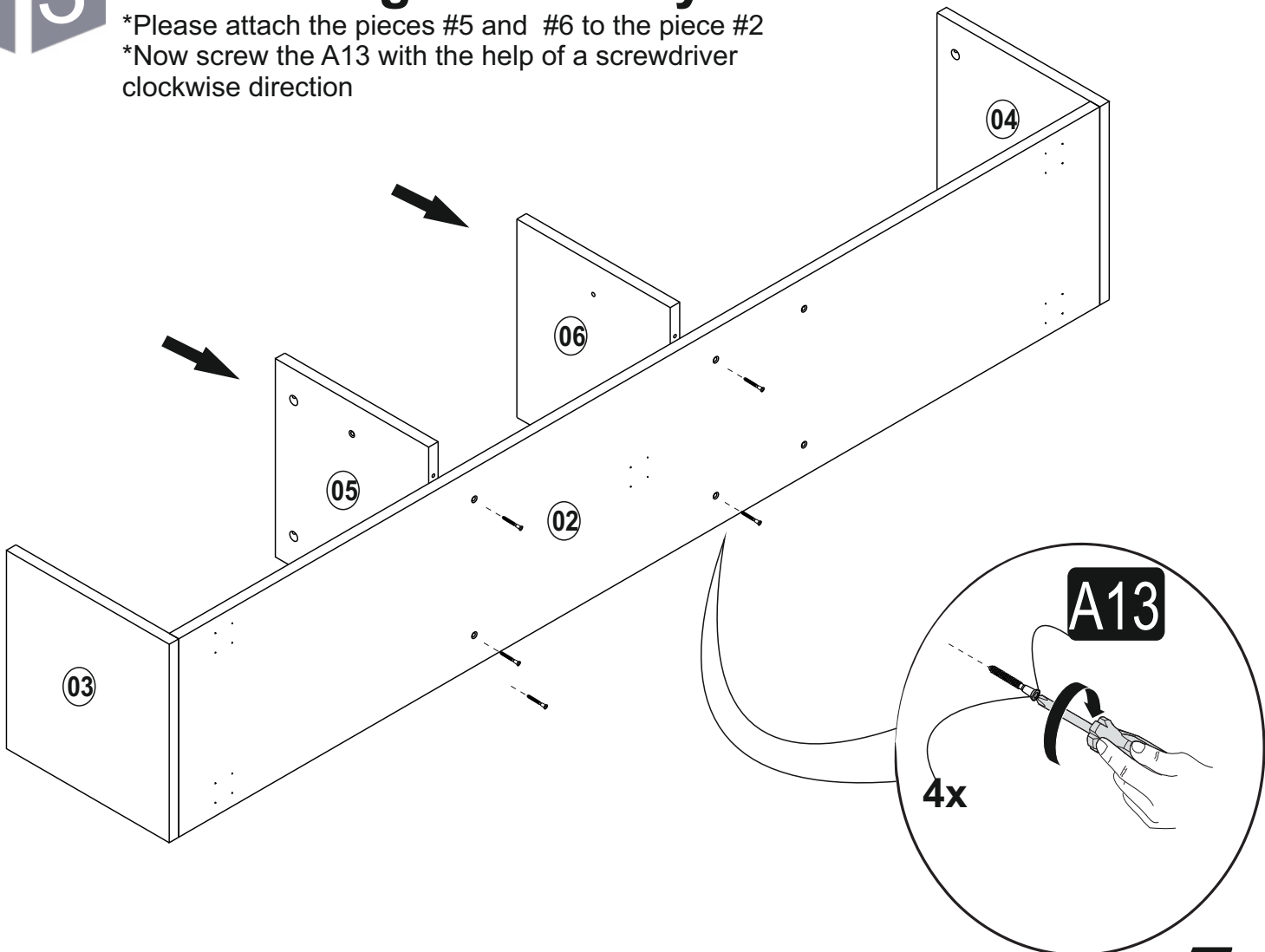
b. installing main body

- *Please attach the pieces #3 and #4 to the piece #2
- *Now screw the A02 (minifix head) clockwise direction



c. installing main body

- *Please attach the pieces #5 and #6 to the piece #2
- *Now screw the A13 with the help of a screwdriver clockwise direction

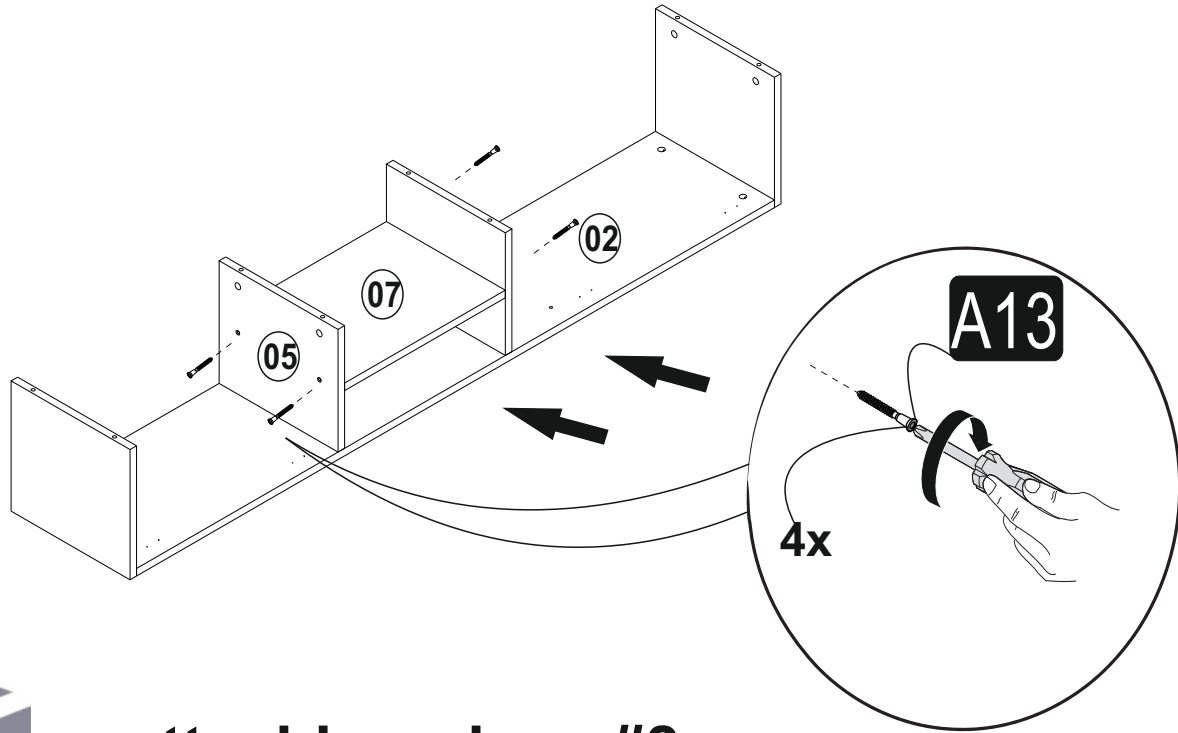




d.attaching middle shelf

*Please attach the piece #7 between piece #5 and #6

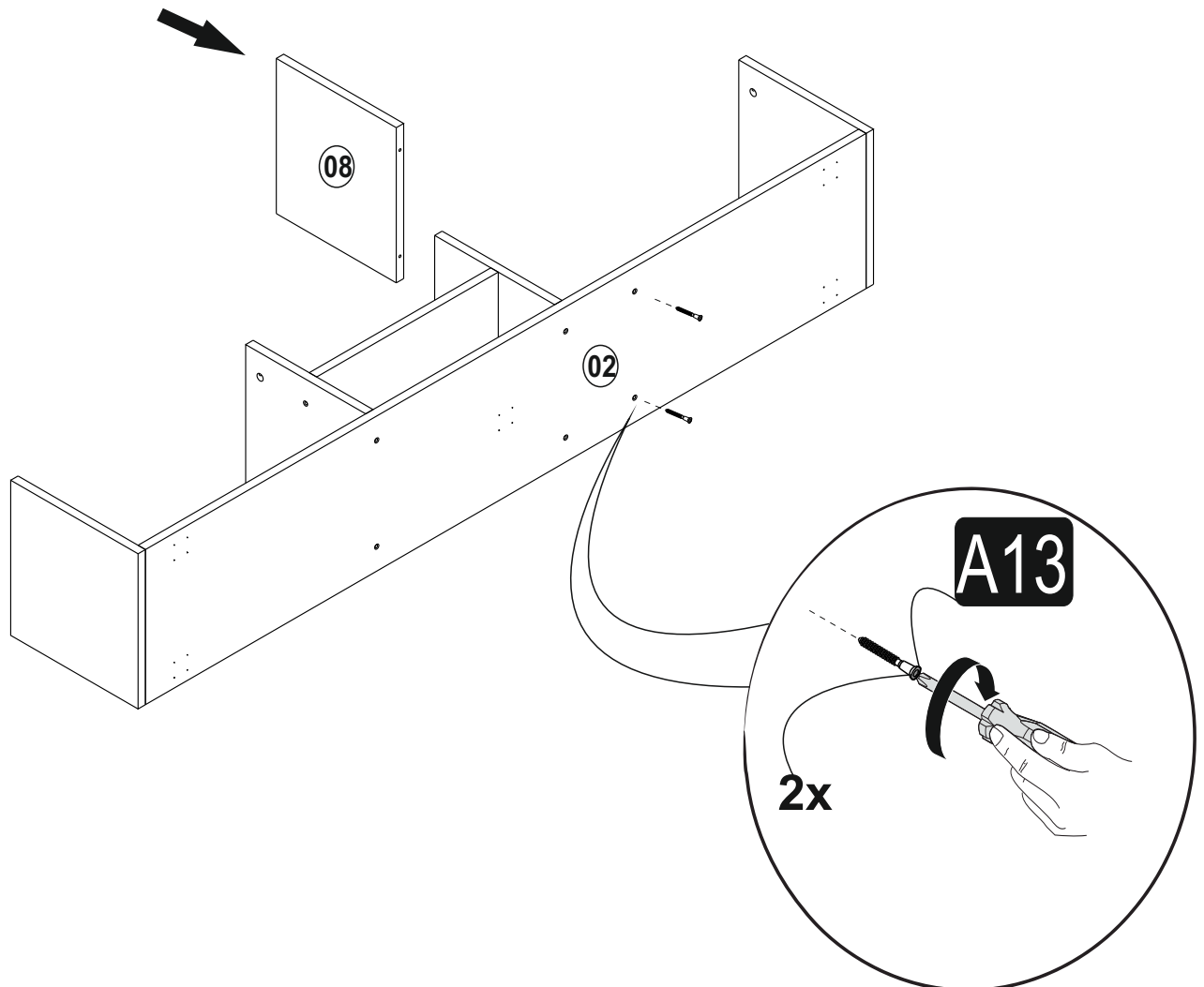
*Now screw the A13 with the help of a screwdriver clockwise direction



e.attaching piece #8

*Please attach the piece #8 to the piece #2

*Now screw the A13 with the help of a screwdriver clockwise direction

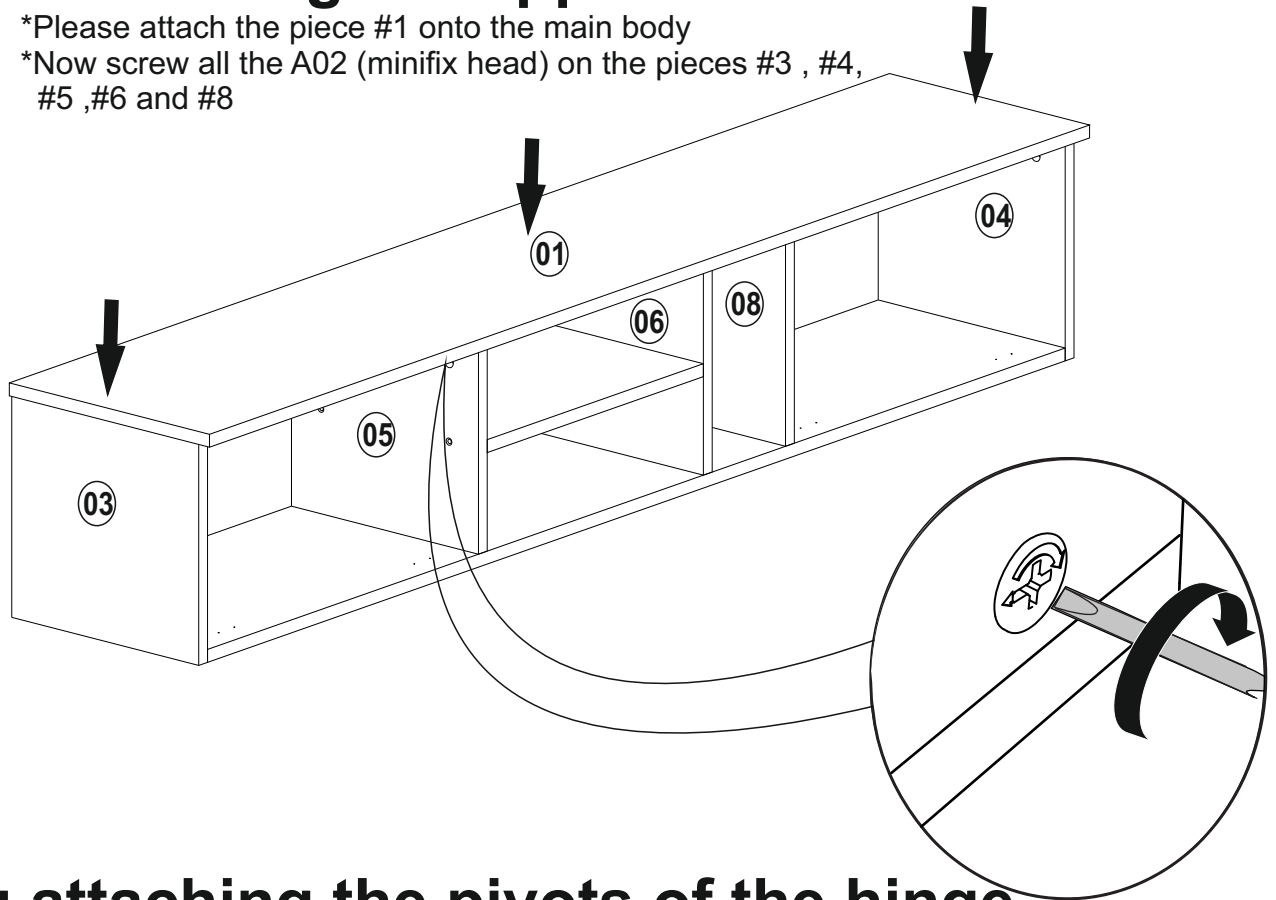




f.attaching the upper shelf

*Please attach the piece #1 onto the main body

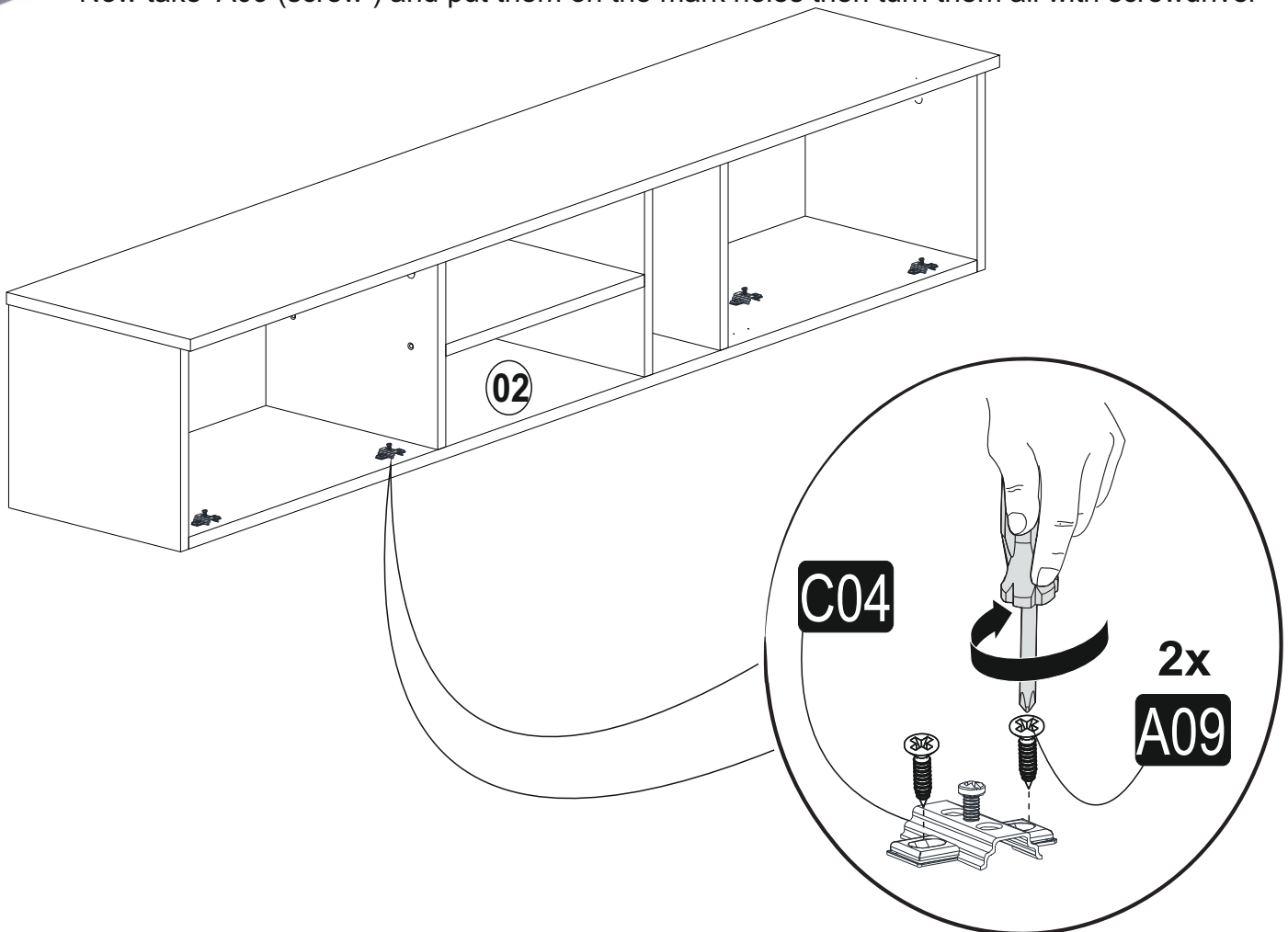
*Now screw all the A02 (minifix head) on the pieces #3 , #4, #5 ,#6 and #8



g.attaching the pivots of the hinge

*Please put all the pivots (C04) the way that they will fit the mark holes on the piece #2

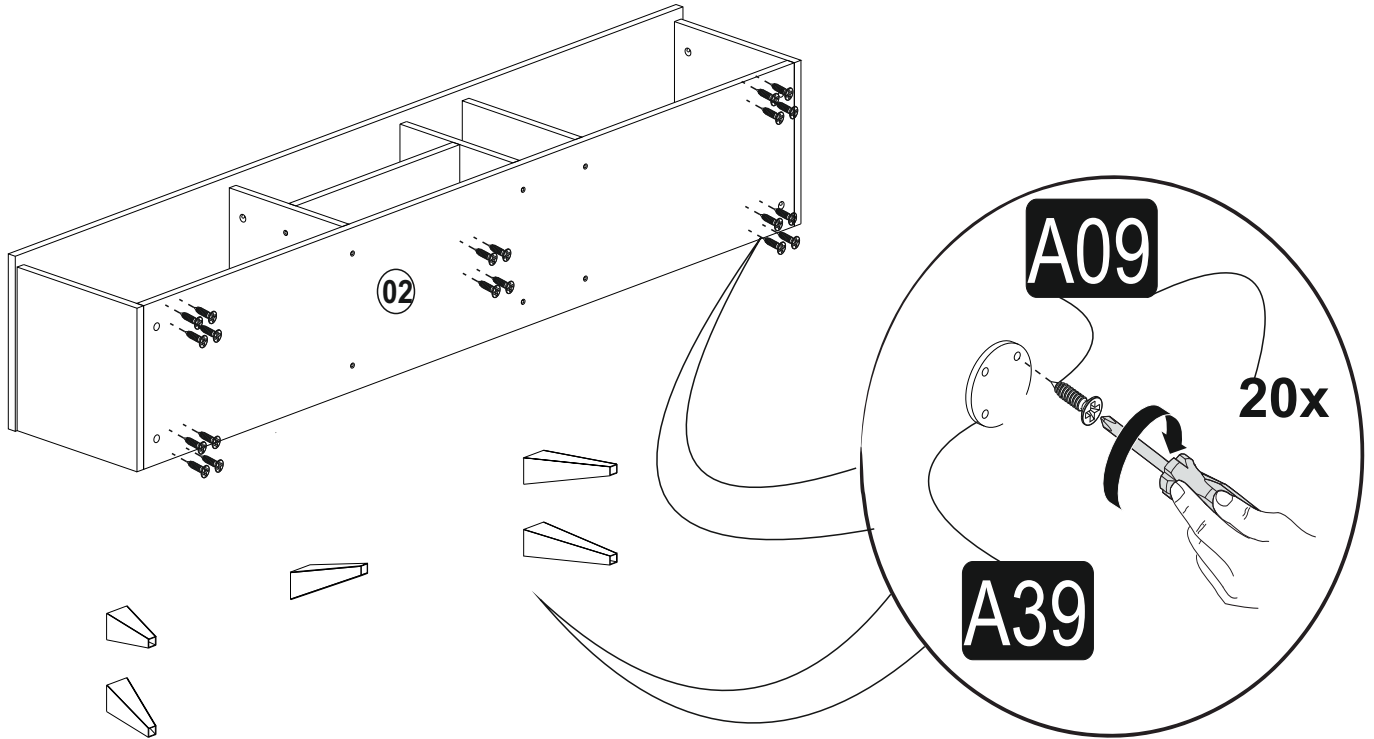
*Now take A09 (screw) and put them on the mark holes then turn them all with screwdriver





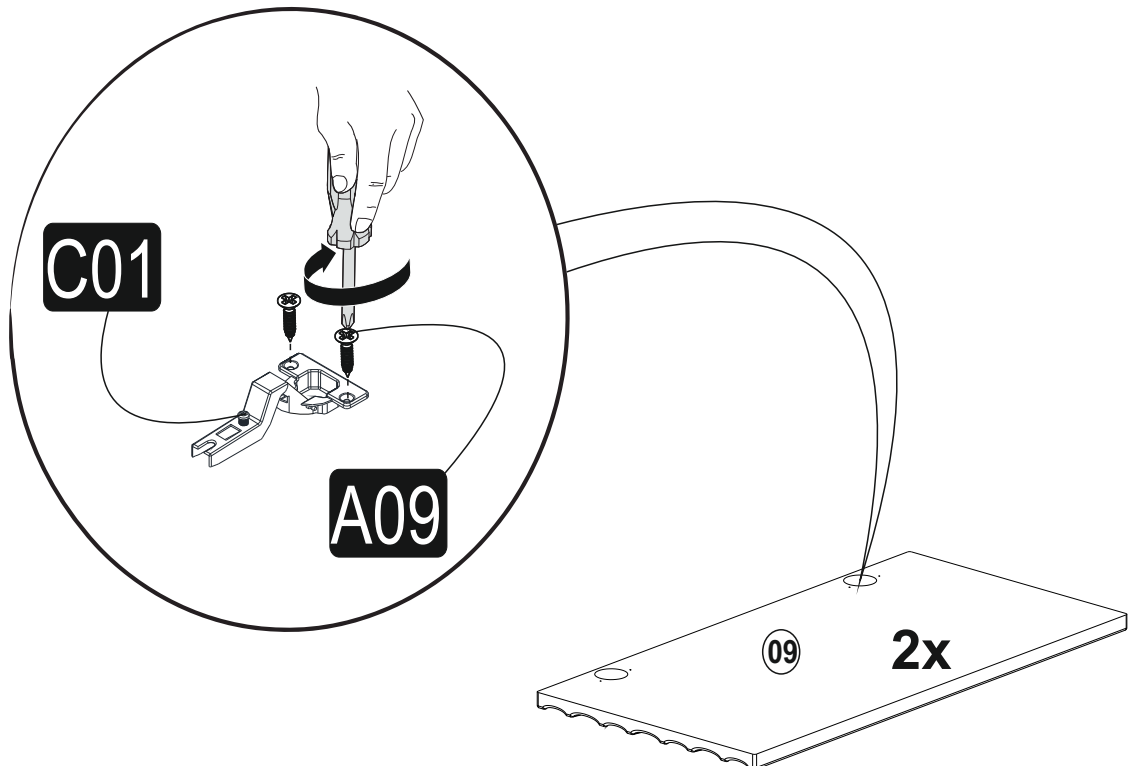
h. installing the furniture feet

- *Furniture feet consist of two parts; inner part and cover.
- *Please take the inner parts of feet then put them on the mark holes
- *Screw all A09 (screw) with screwdriver
- *Now place all covers on the inner parts



i. installing the braclets of the hinge

- *Please put all C02 (bracelets) into the big holes on piece #9 the way they will fit the mark holes
- *Now screw all A09 (screw) with screwdriver

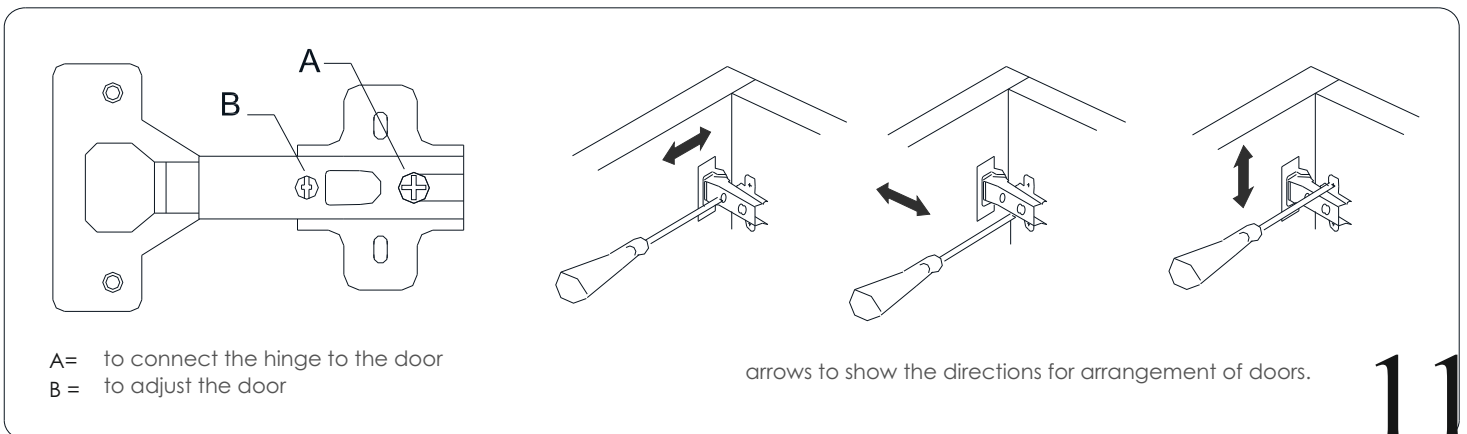
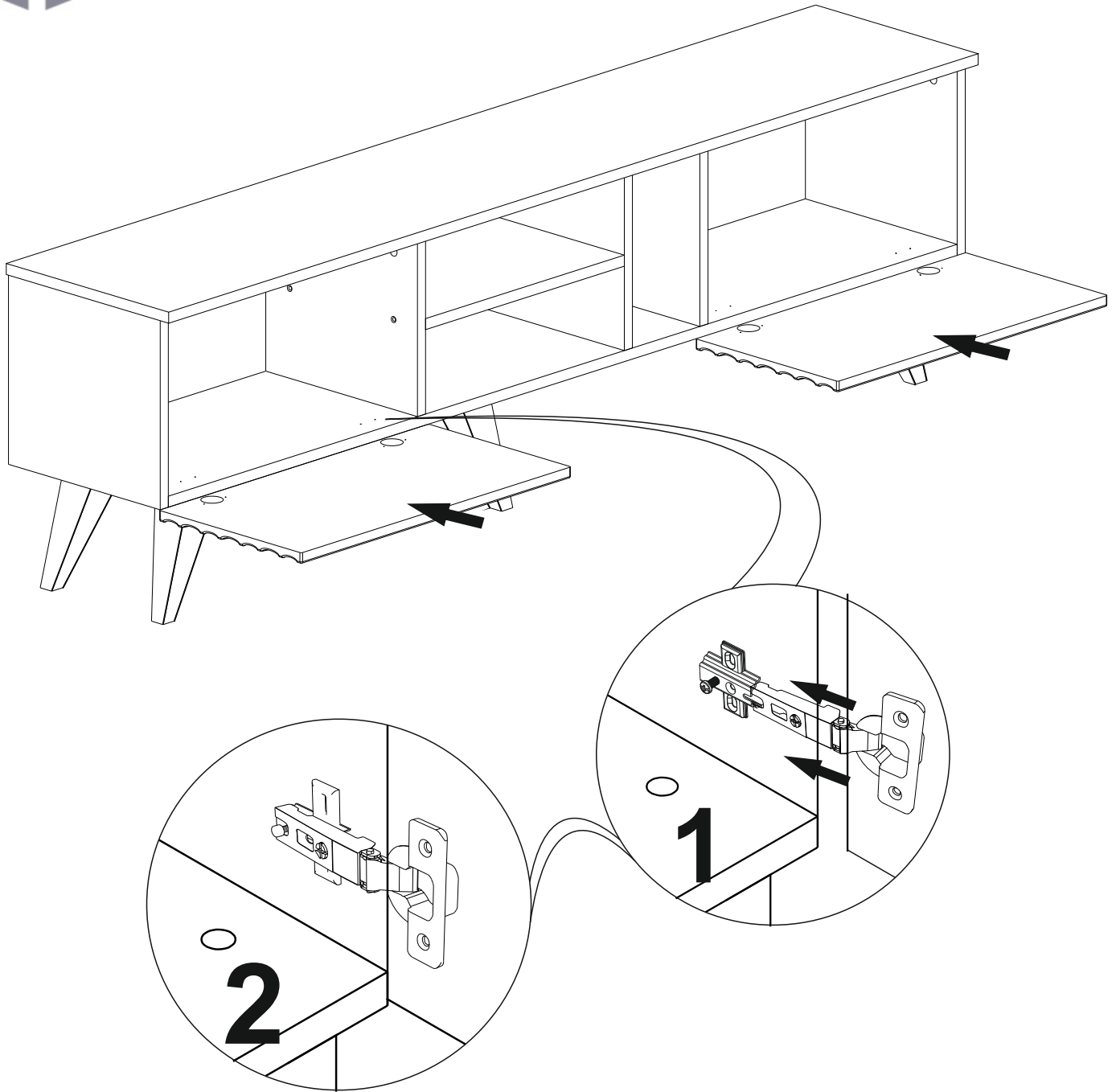


j.installing cabinet doors

*Please connect C04(pivot) and C02 (bracelet) as shown in figure

*Turn the screw A

*You can make some adjustment with screw B for better opening and closing of door



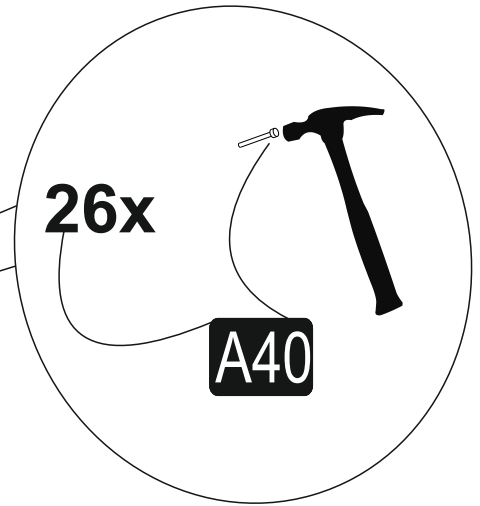
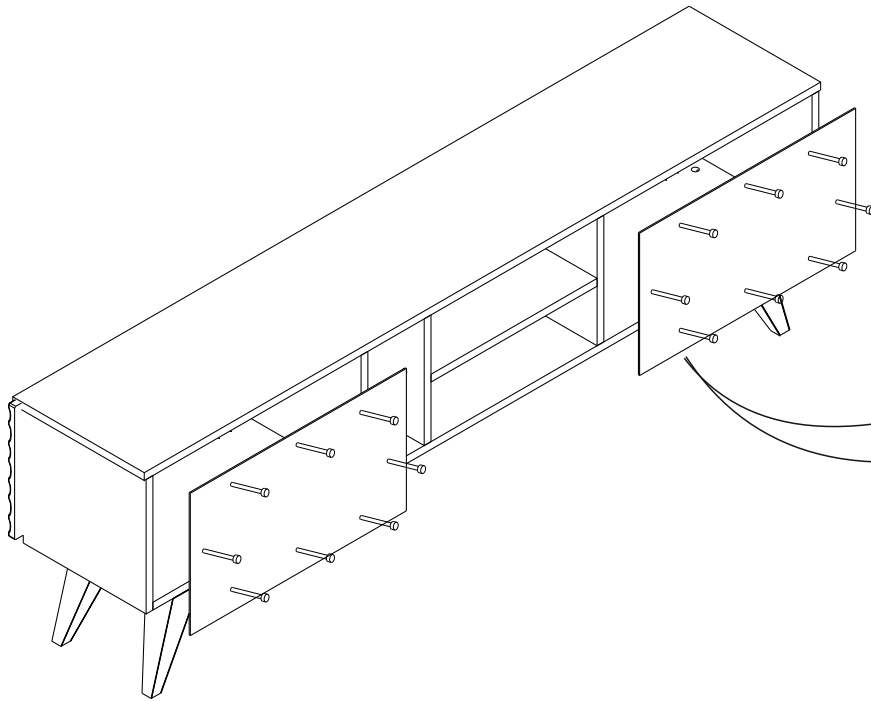
A= to connect the hinge to the door
 B = to adjust the door

arrows to show the directions for arrangement of doors.



k.attaching the back panel

- *Please take the panel and nail down with the help of a hammer
- *For the best result use all nails given in the hardware pack



l.placing the covers

- *For the best appearance of your furniture please place all A07(cover) onto the A02 (minifix head).

