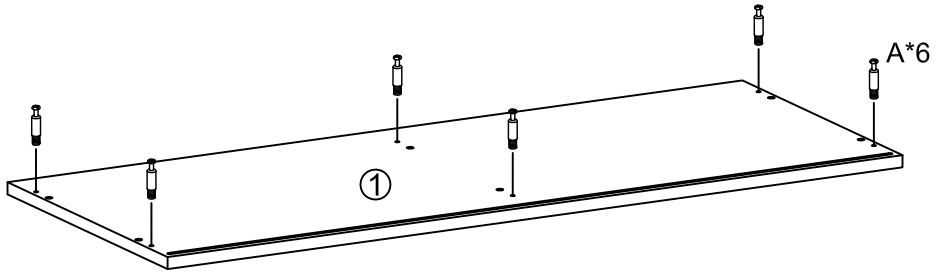
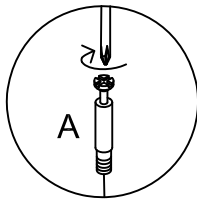
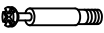


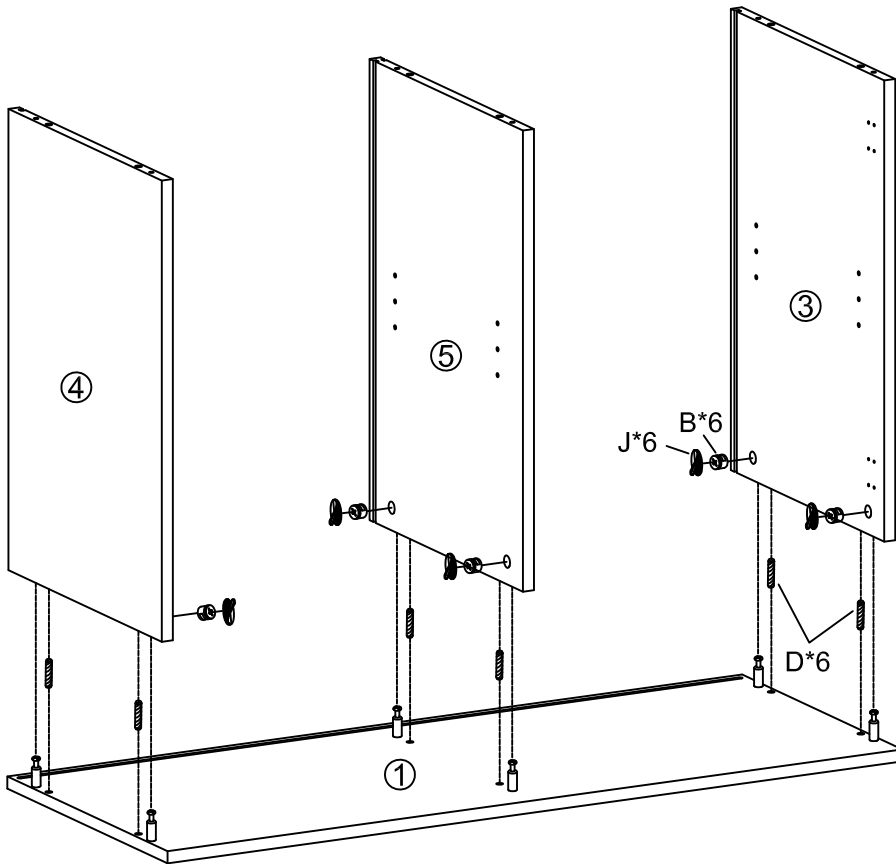
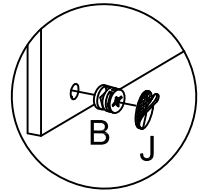
A	x6	B	x6	C	x6	D	x12	E	x32	F	x4	G	x8	H	x10
M6*35mm		Ø15mm		7*50mm		Ø8*30mm		Ø3.5*14mm		Ø3.5*14mm				M6*30mm	
I	x4	J	x6	K	x1	L	x4	M	x8	N	x2	O	x2	P	x2
M6*40mm				M4											
Q	x2														




1



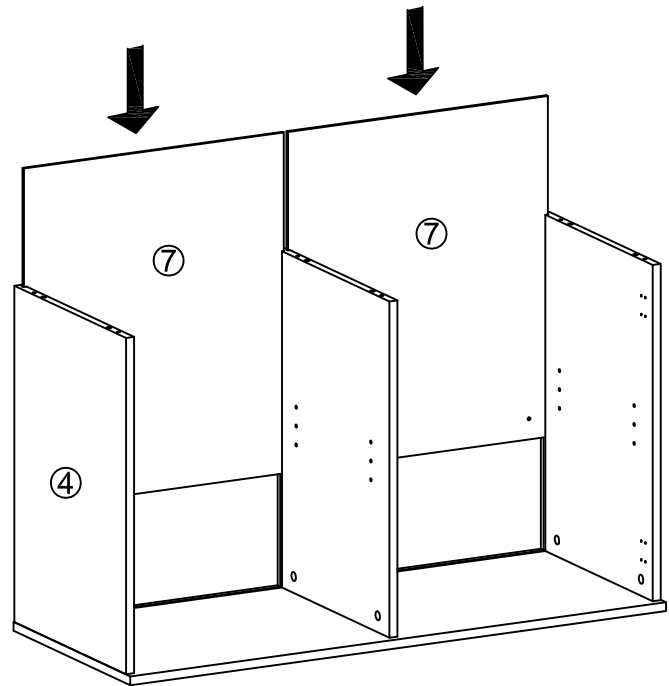
A	x6
	
M6*35mm	

2

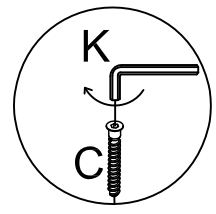
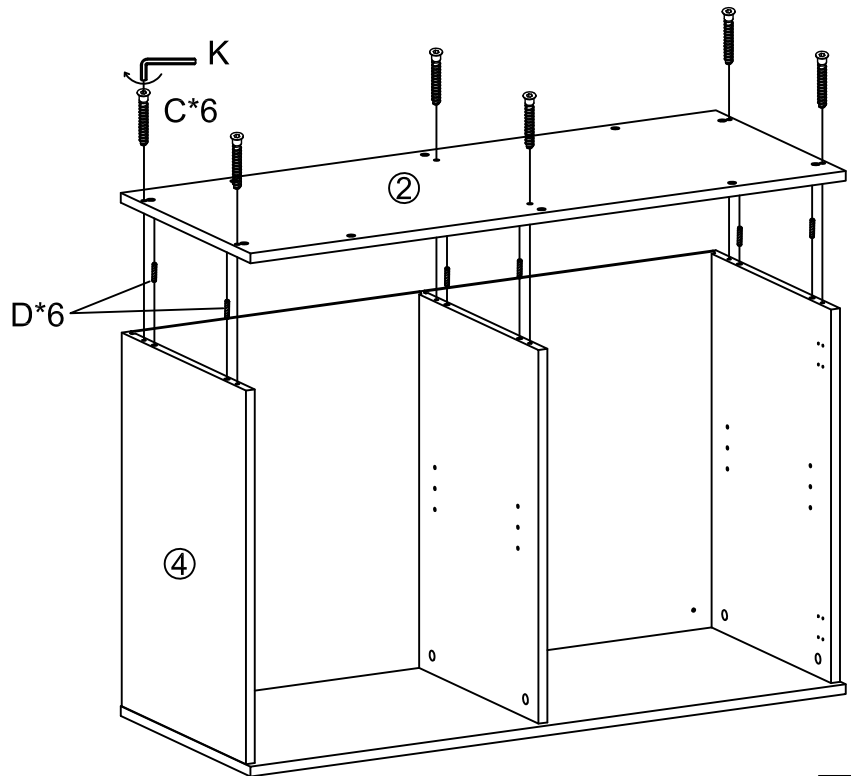





B	x6	D	x6	J	x6
					
Ø15mm		Ø8*30mm			

3

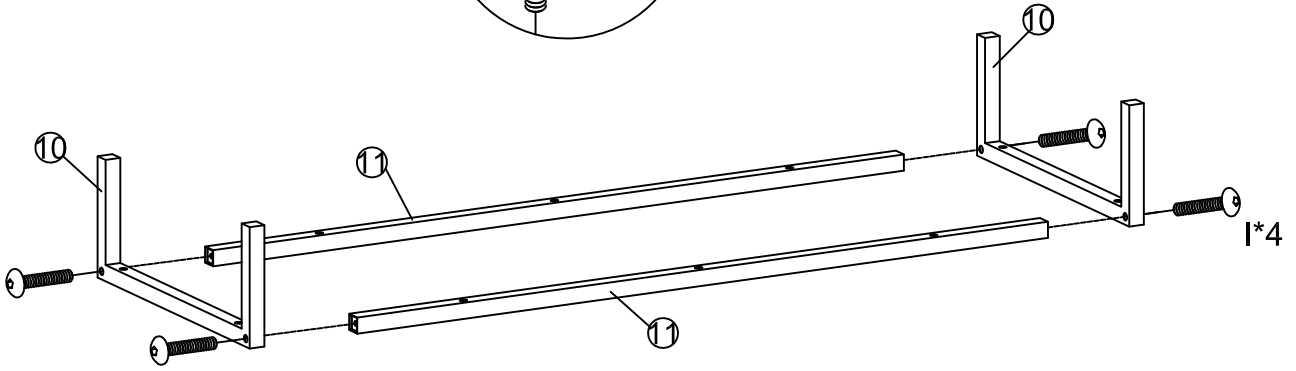
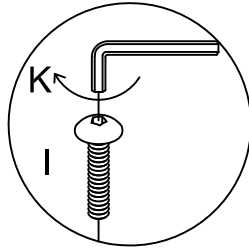


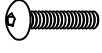

4



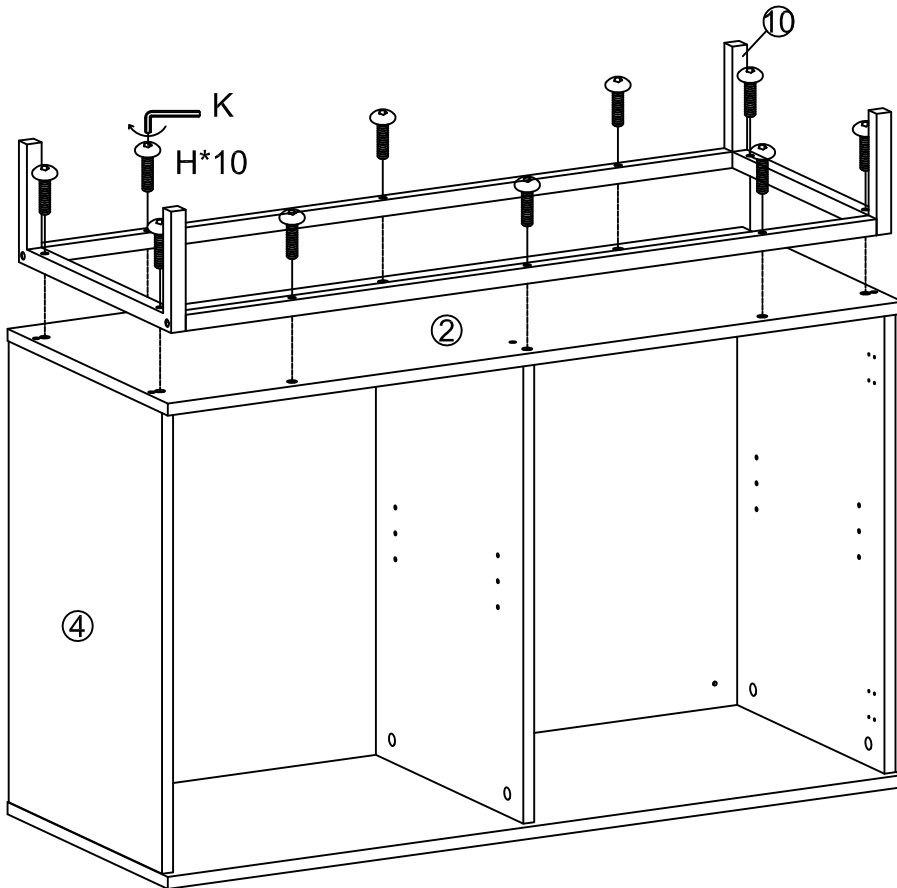
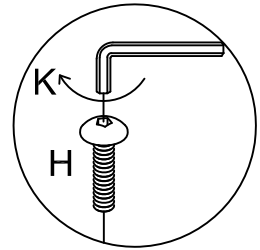
C	x6	D	x6	K	x1
					
7*50mm		Ø8*30mm		M4	

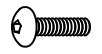

5



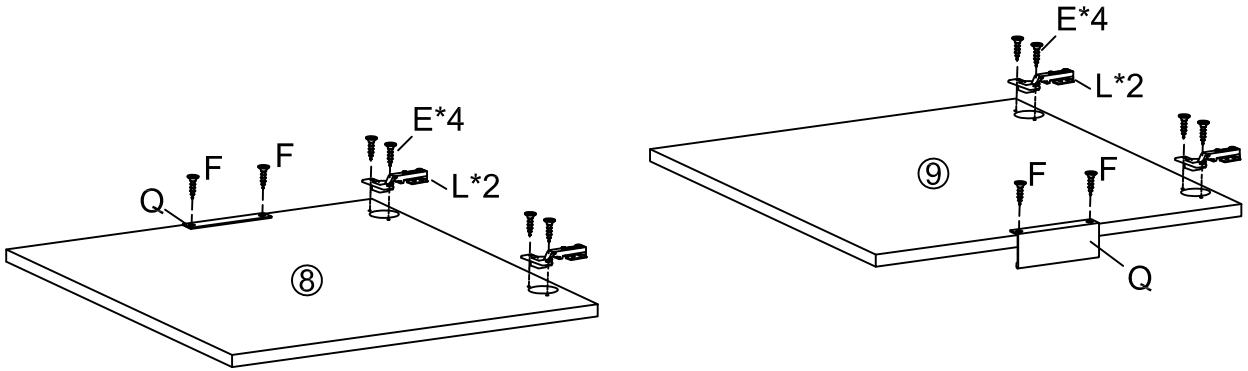
I	x4	K	x1
			
M6*40mm		M4	





6



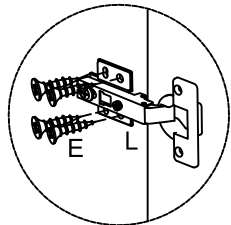
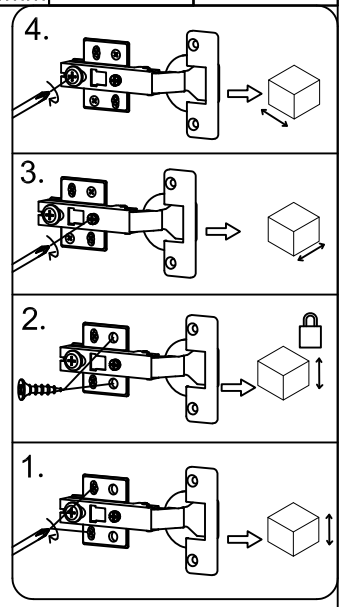
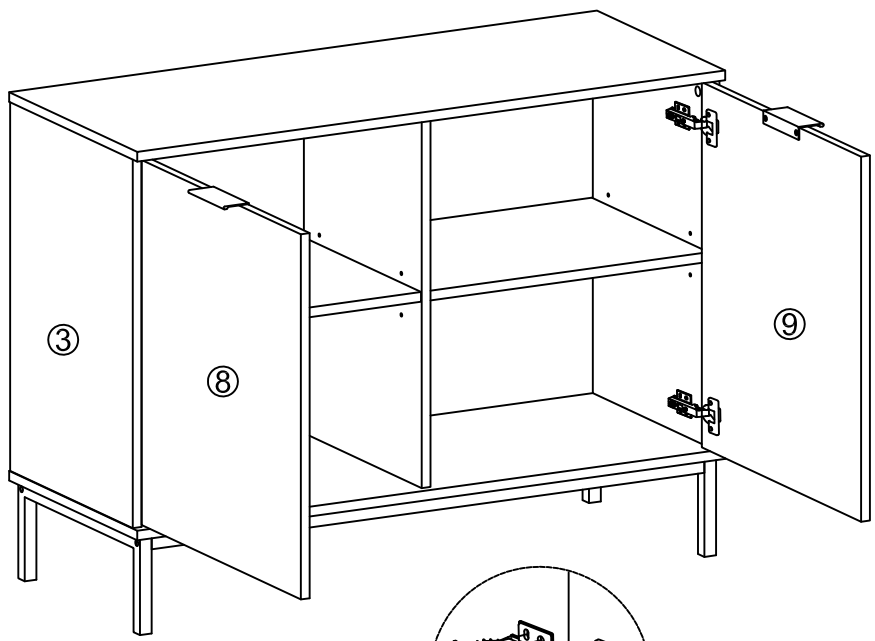
H	x10	K	x1
			
M6*30mm		M4	

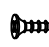
9



E	x8	F	x4	L	x4	Q	x2
							
Ø3.5*14mm		Ø3.5*14mm					

10



E	x16
	
Ø3.5*14mm	