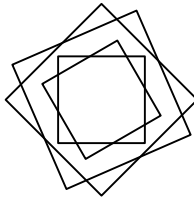
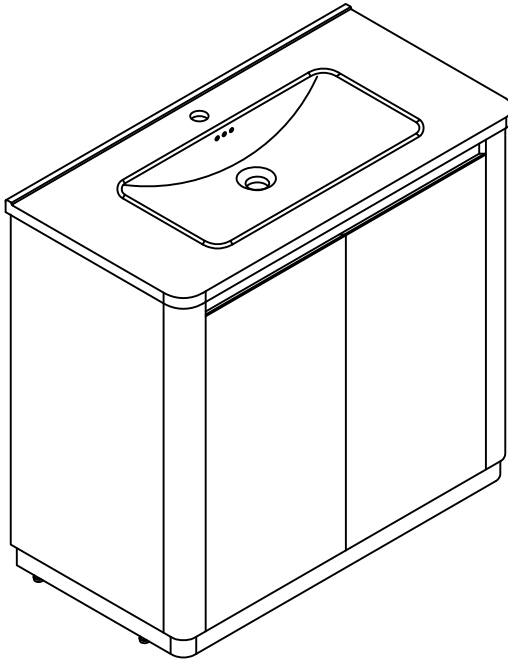







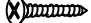




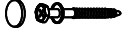



Installation & Assembly



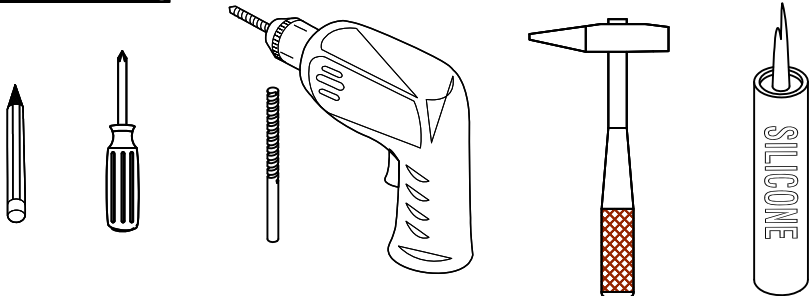
Thank you for shopping with us!

We encourage you to take a few minutes to go through this booklet. It contains important information on installation and care tips to keep your furniture looking as good as new.

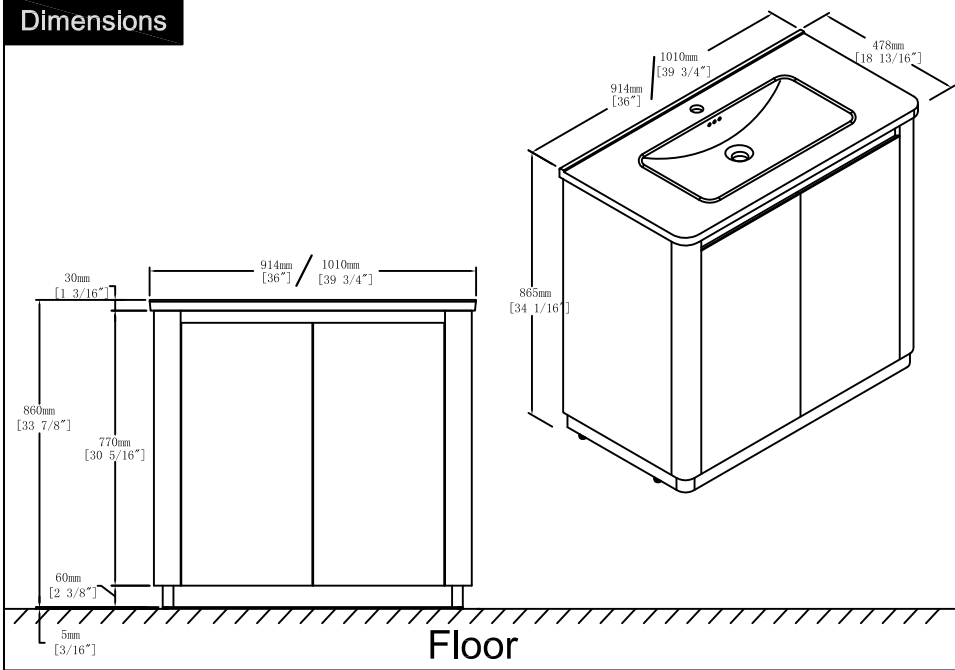
Hardware

NO.	Draw	QTY	NO.	Draw	QTY
A	 Screws Ø4x14mm	44	H	 Bracket (19x19x35mm)	2
B	 Two-in-one connector	29	I	 Hinges(Internal hiding)	4
C	 Two-in-one connector	29	J	 Screws Ø4x25mm	6
D	 Wood plug	8	K	 Adjustable feet	4
E	 Plastic anchor(Ø10mm)	2	L	 Movable laminate support	4
F	 Screws for fix on the wall	2	M	 Anti-collision gasket	4
G	 Bracket (53x70x44mm)	2	N	 Screwdriver	1

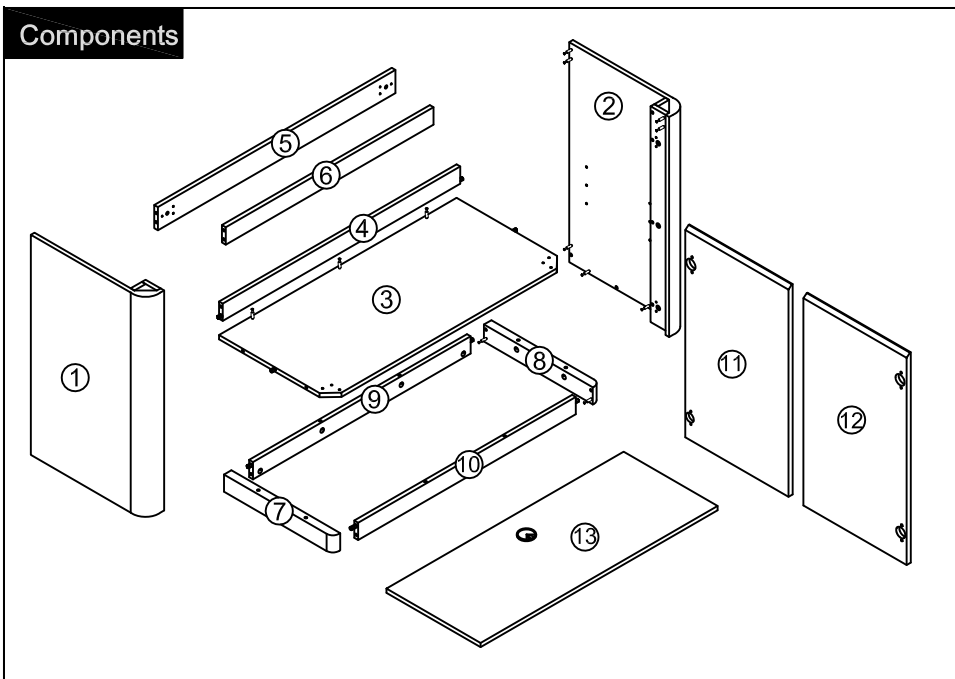
Recommended tools



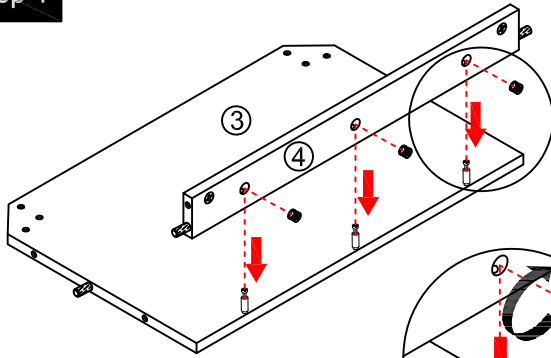
Dimensions

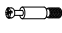

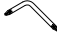


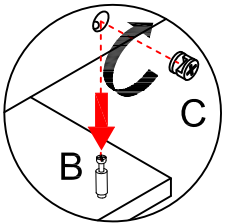
Components



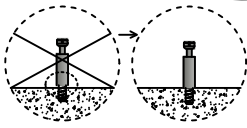
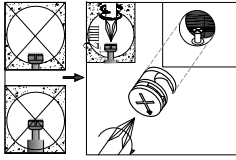
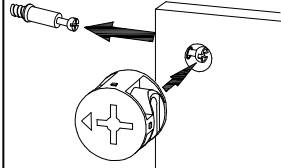
Step 1



-  x3
-  x3
-  N

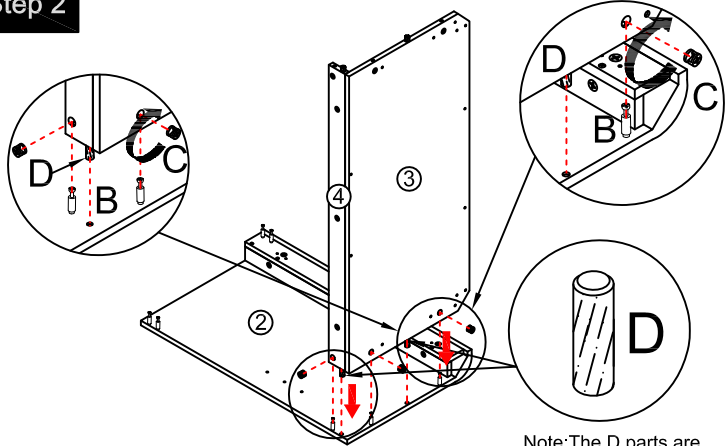


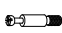



Attention: Cam lock arrow point to the steel rod.



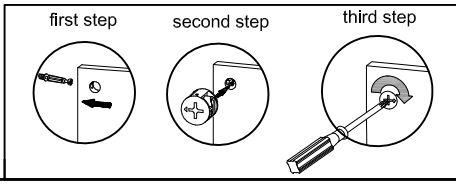
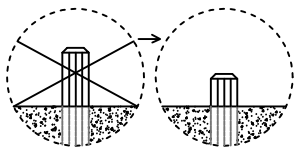
Notes: Screw installation depth as shown

Step 2

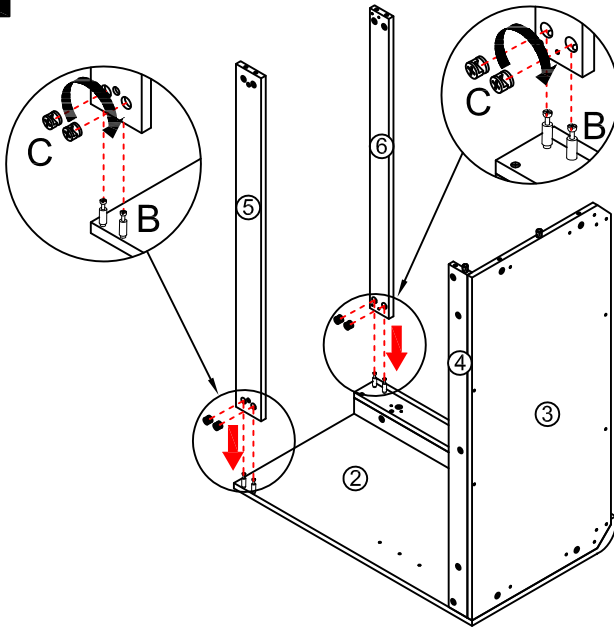


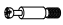

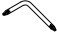
-  x3
-  x3
-  N
-  x2

Note: The D parts are used for these two holes

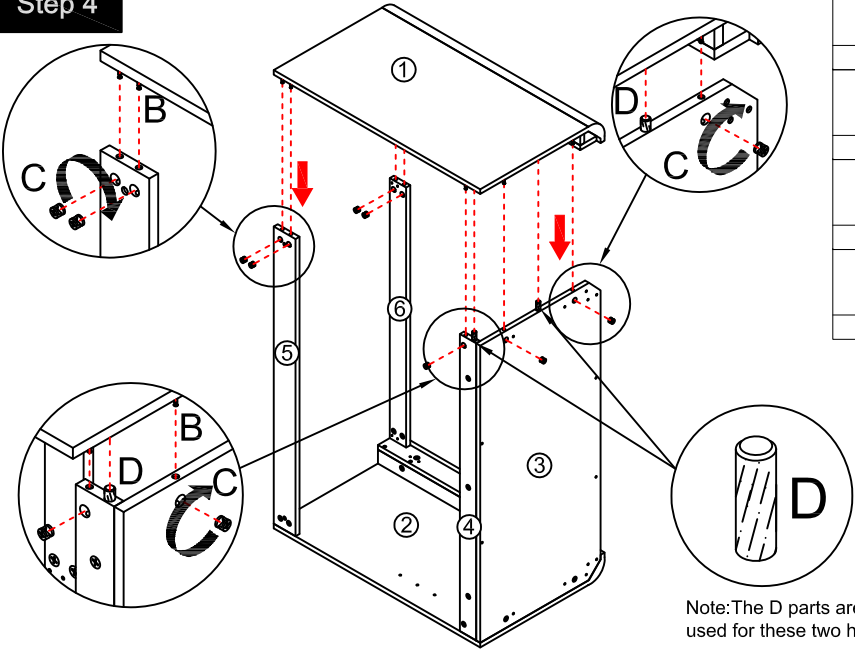


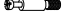



Step 3



	x4
B	
	x4
C	
	
N	

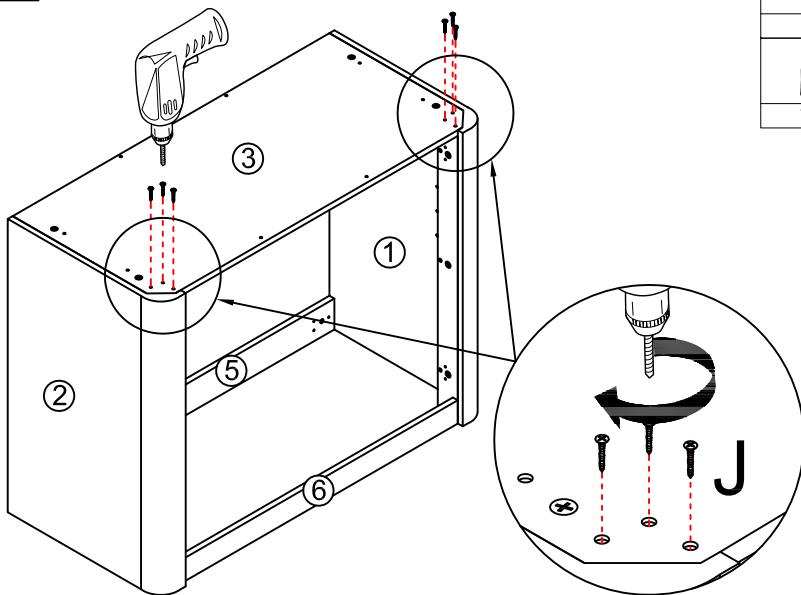
Step 4



	x7
B	
	x7
C	
	x2
D	
	
N	

Note: The D parts are used for these two holes

Step 5



($\varnothing 4 \times 25\text{mm}$)



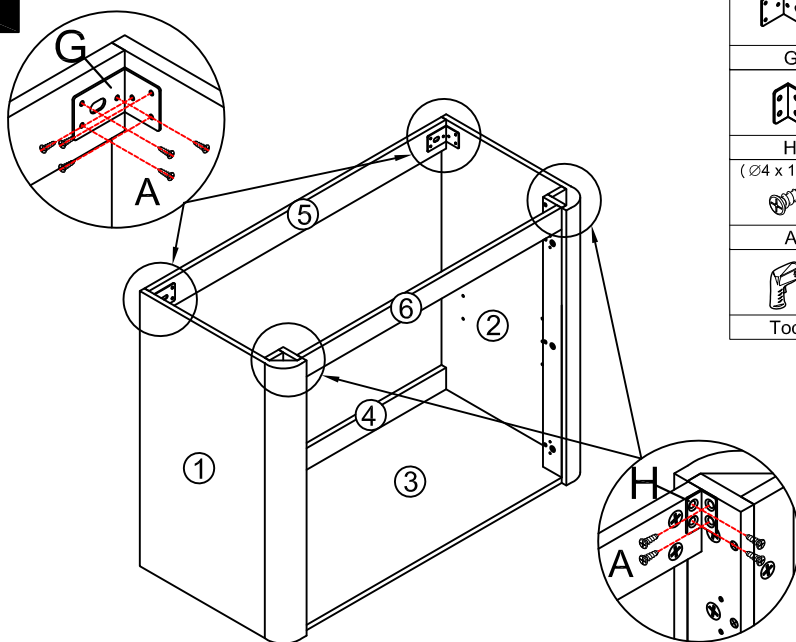
x6

J



Tool

Step 6



x2

G



x2

H

($\varnothing 4 \times 14\text{mm}$)



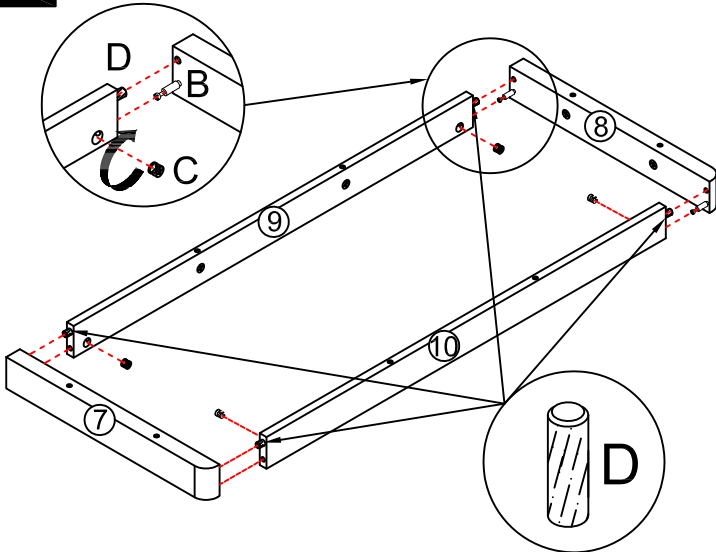
x20

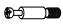



A



Tool

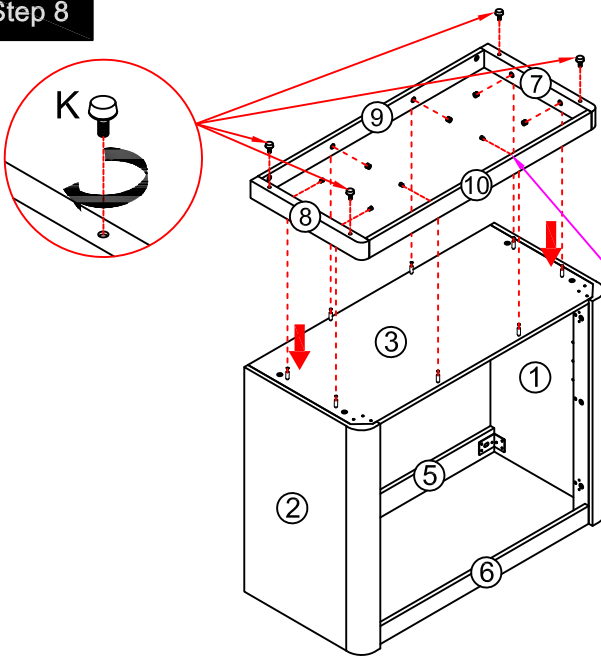
Step 7

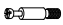


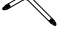


	x4
B	
	x4
C	
	x4
D	
	
N	

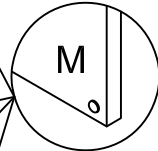
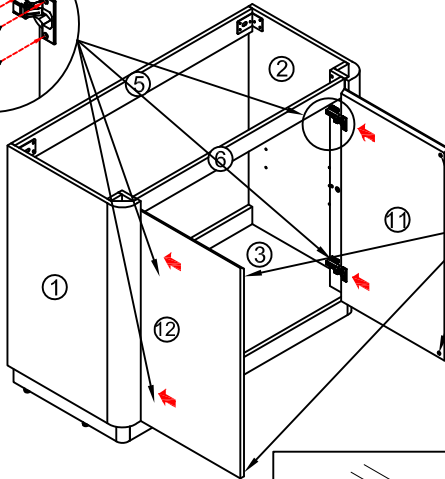
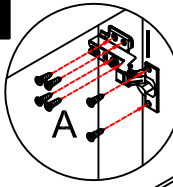
Note: The D parts are used for these four holes

Step 8



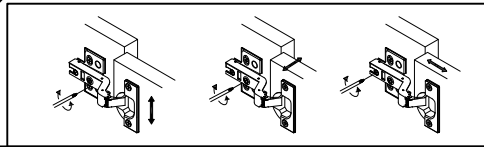
	x8
B	
	x8
C	
	x4
K	
	
N	

Step 9

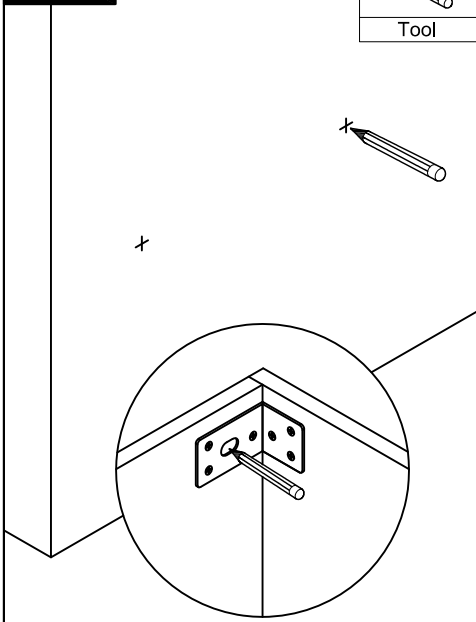


	x4
I (Ø4 x 14mm)	
	x24
A	
	x4
M	
Tool	

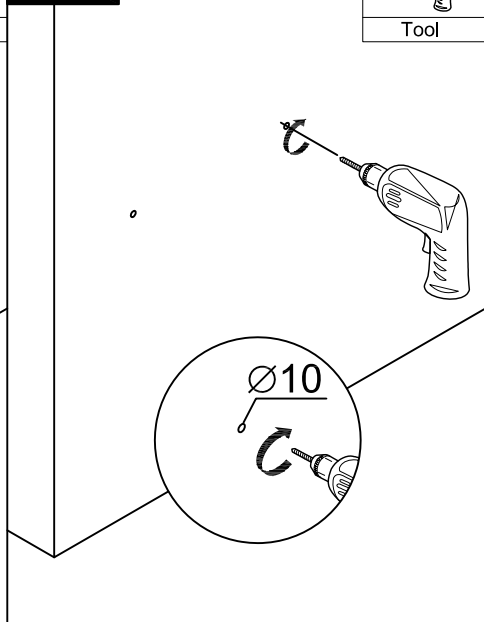
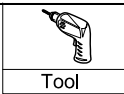
You can adjust the doors by tightening or loosening the screws on the hinge. →



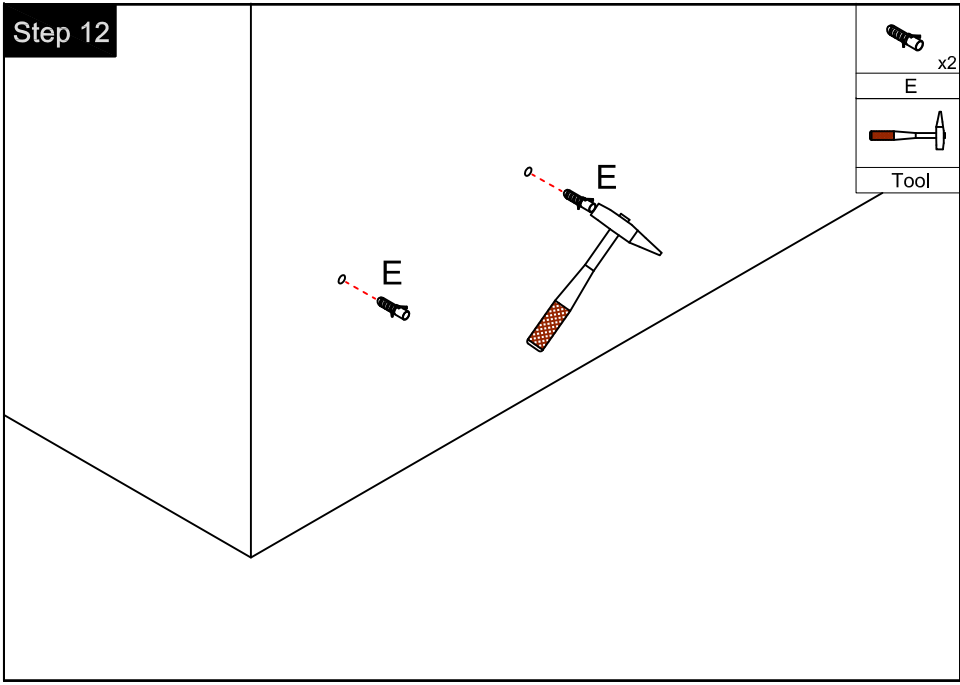
Step 10



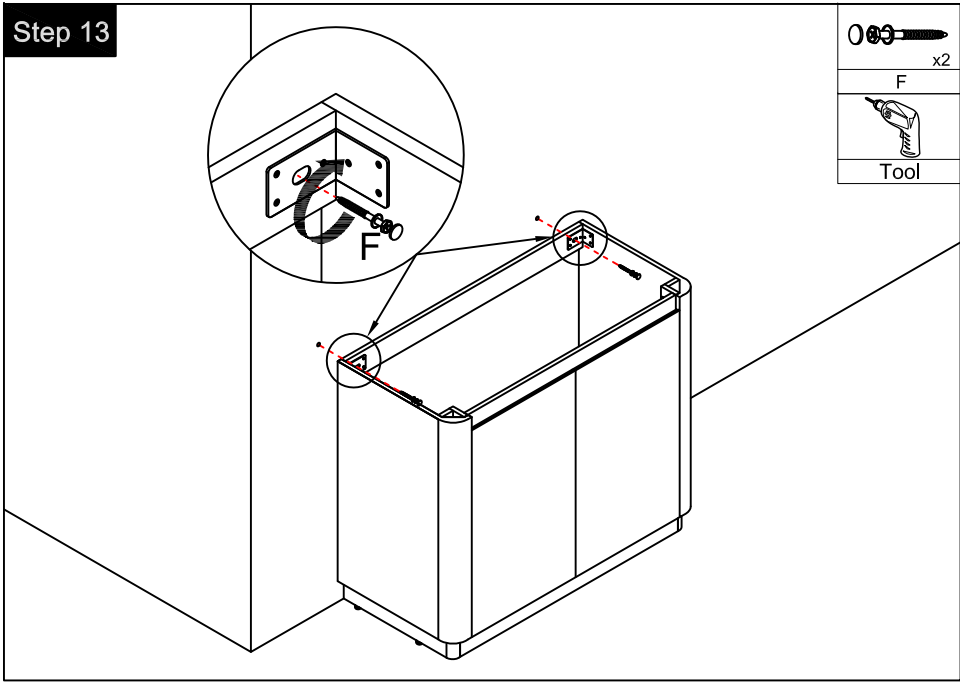
Step 11



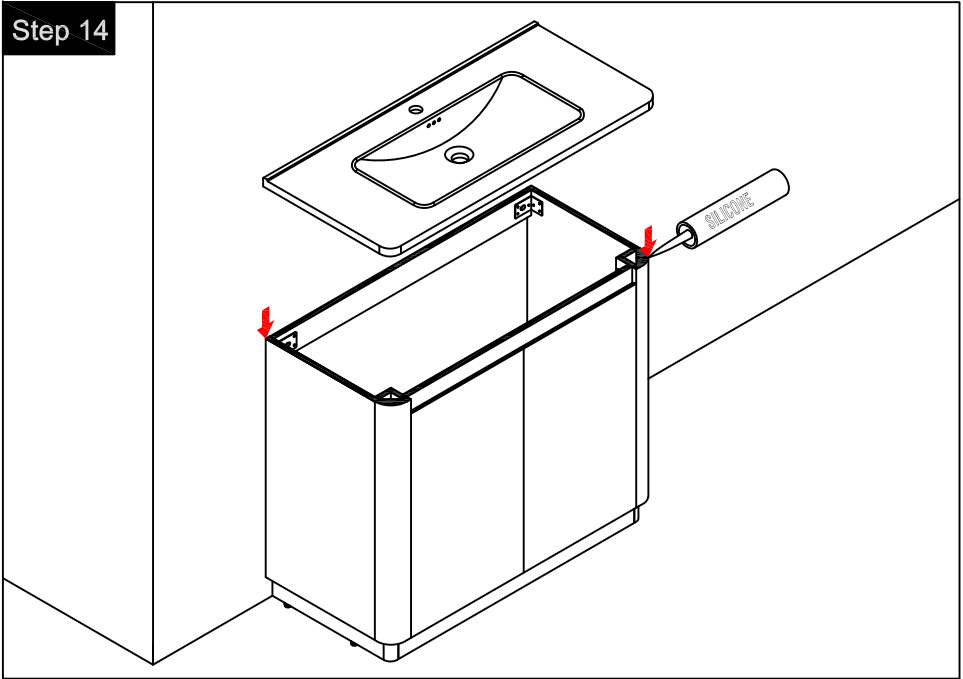
Step 12



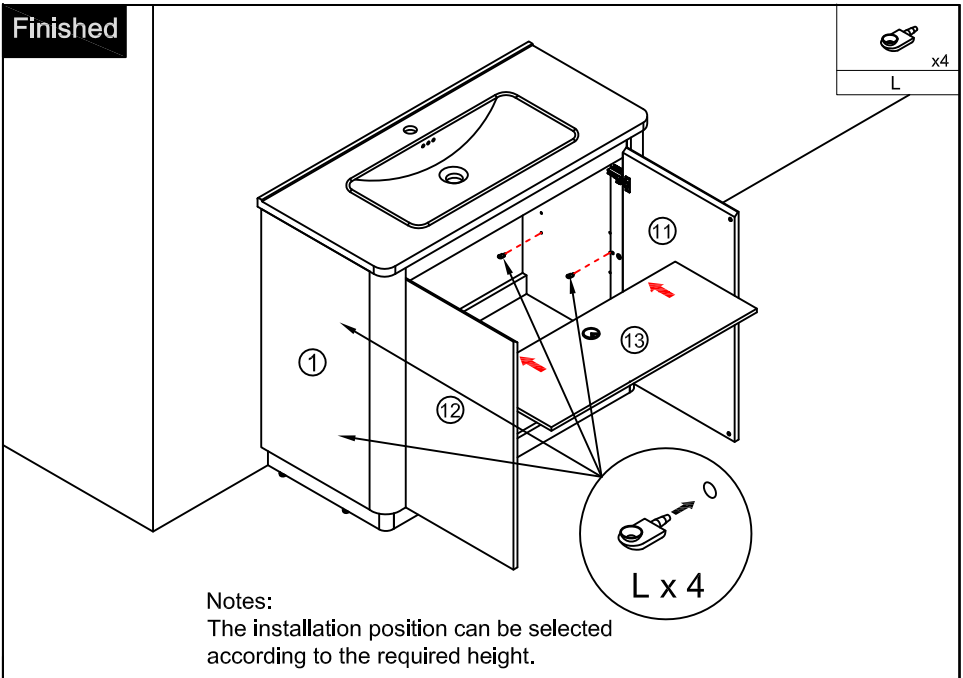
Step 13



Step 14

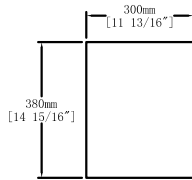


Finished

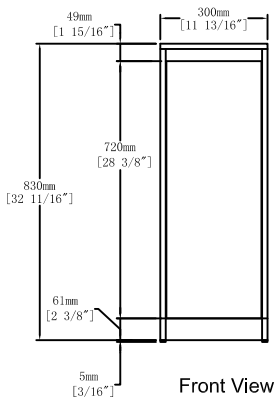


Notes:
The installation position can be selected according to the required height.

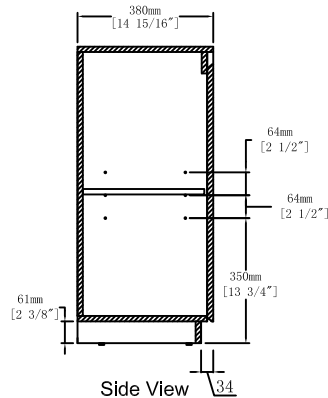
Dimensions



Top View



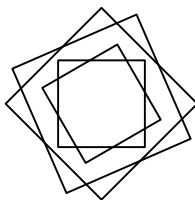
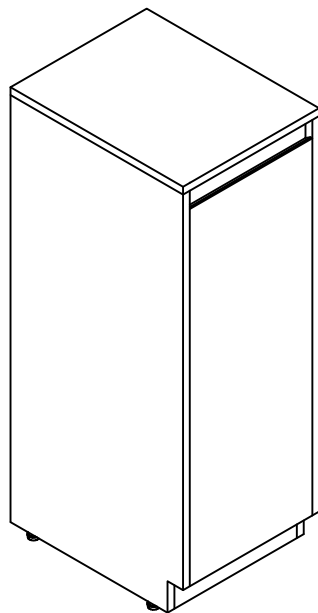
Front View



Side View

CARE CLEANING AND MAINTENANCE










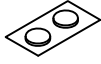

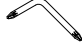
1. Dust regularly with a soft , dry cloth.
2. Avoid the use of all chemicals household cleaners, abrasives, or cleaners that contain lemon, vinegar, or other acids that may damage the finish.
3. Excessive exposure to sunlight and extreme changes in temperature and moisture can damage wood furniture.
4. Do not place hot appliances, such as curling irons and hot hair dryers directly on the countertop. Wipe spills immediately.



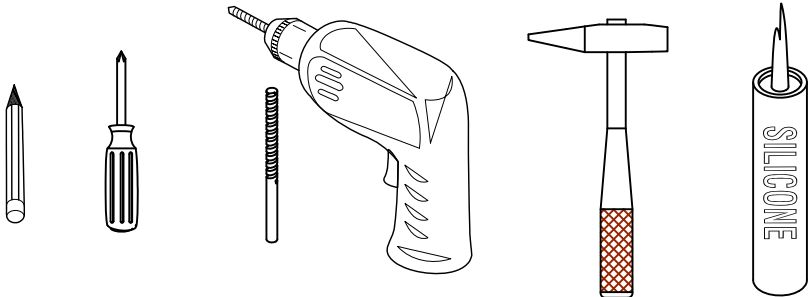
Thank you for shopping with us!

We encourage you to take a few minutes to go through this booklet. It contains important information on installation and care tips to keep your furniture looking as good as new.

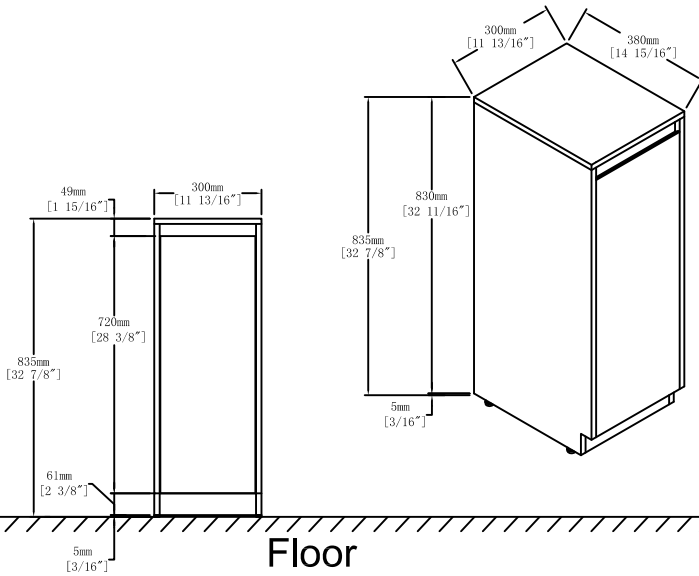
Hardware

NO.	Draw	QTY	NO.	Draw	QTY
A	 Screws Ø4x14mm	12	G	 Screws for fix on the wall	2
B	 Two-in-one connector	22	H	 Wall hanging screw decorative cover	2
C	 Two-in-one connector	22	I	 Adjustable feet	4
D	 Wood plug	8	J	 Movable laminate support	4
E	 Plastic anchor(Ø10mm)	2	K	 Anti-collision gasket	2
F	 Hinges(Internal hiding)	2	L	 Screwdriver	1

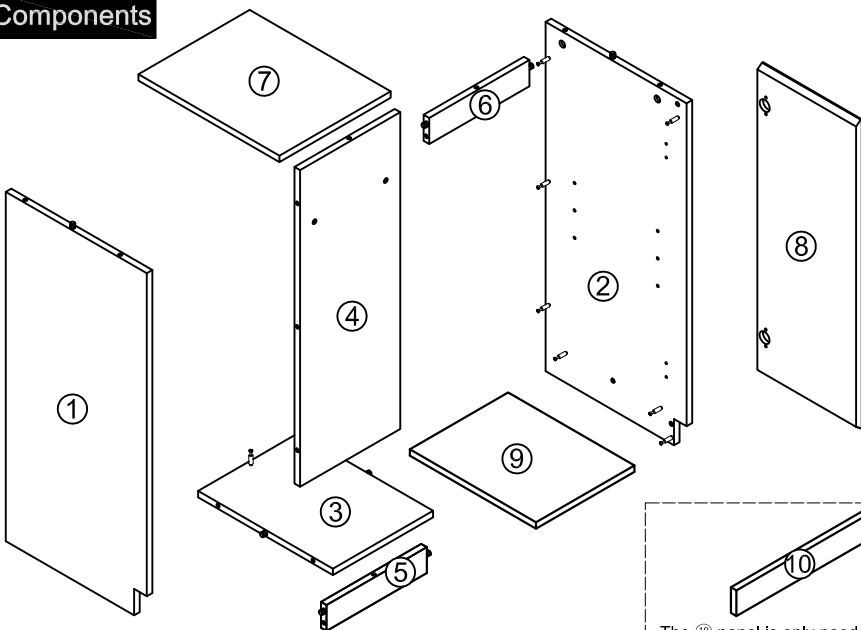
Recommended tools



Dimensions

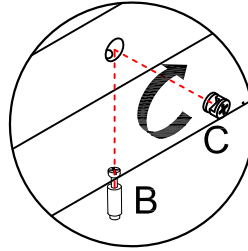
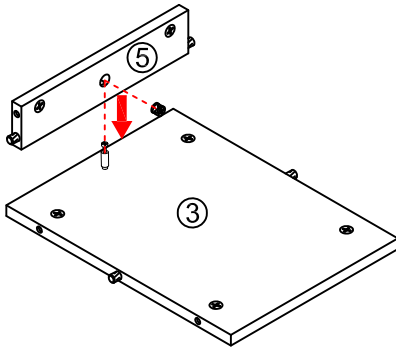


Components

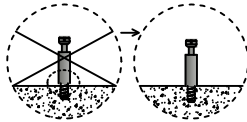
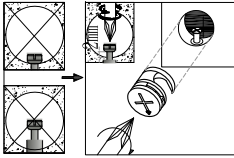


The ⑩ panel is only needed when combined with the main cabinet.

Step 1

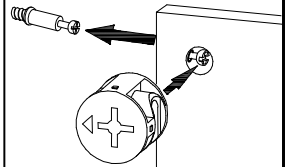


	x1
B	
	x1
C	
L	

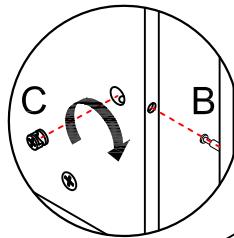
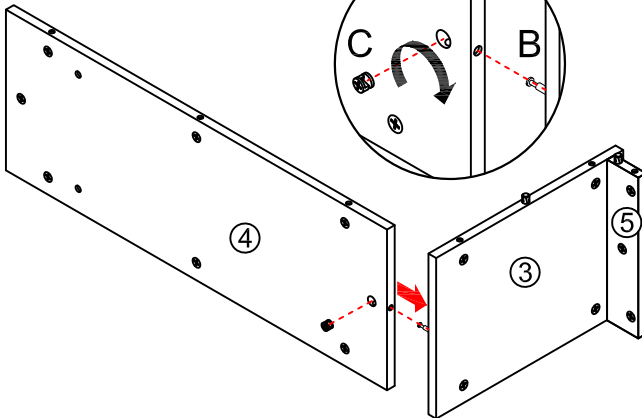


Notes: Screw installation depth as shown

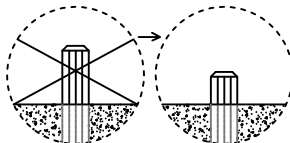
Attention: Cam lock arrow point to the steel rod.



Step 2



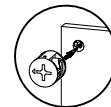
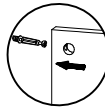
	x1
B	
	x1
C	
L	



first step

second step

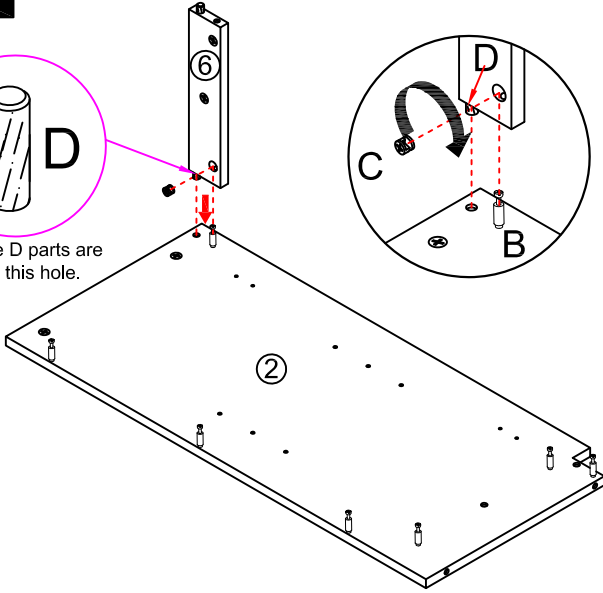
third step

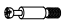





Step 3

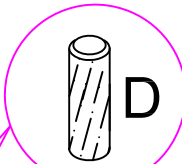
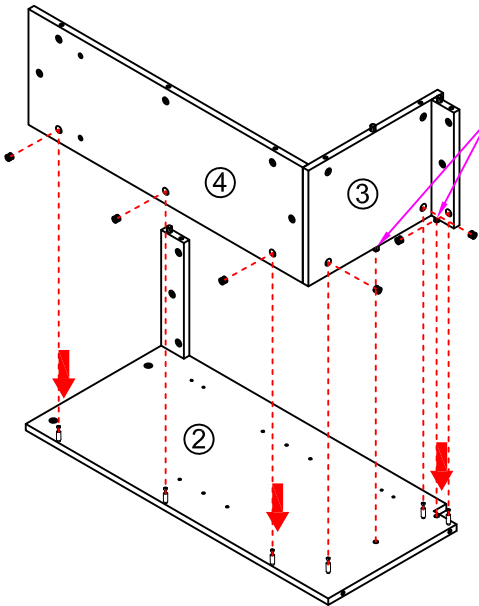


Note: The D parts are used for this hole.

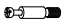





	x1
B	
	x1
C	
	x1
D	
	
L	

Step 4

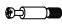





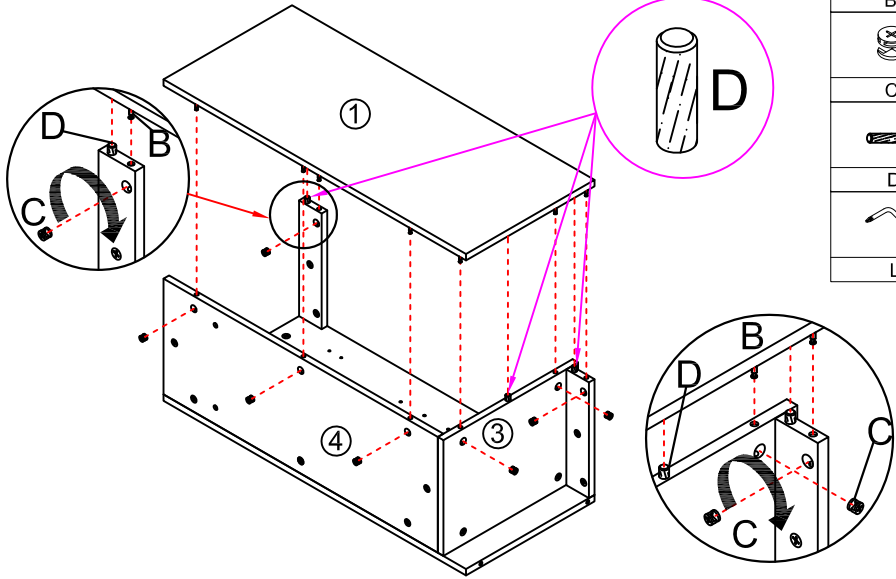
Note: The D parts are used for these two holes

	x6
B	
	x6
C	
	x2
D	
	
L	

Step 5

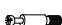



Note: The D parts are used for these three holes

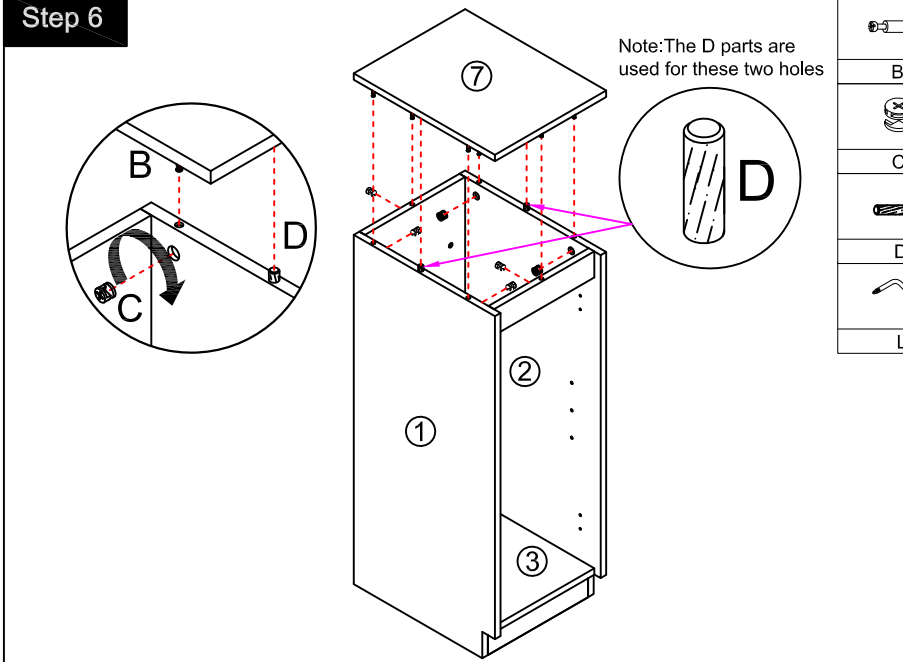
	x7
B	
	x7
C	
	x3
D	
	
L	



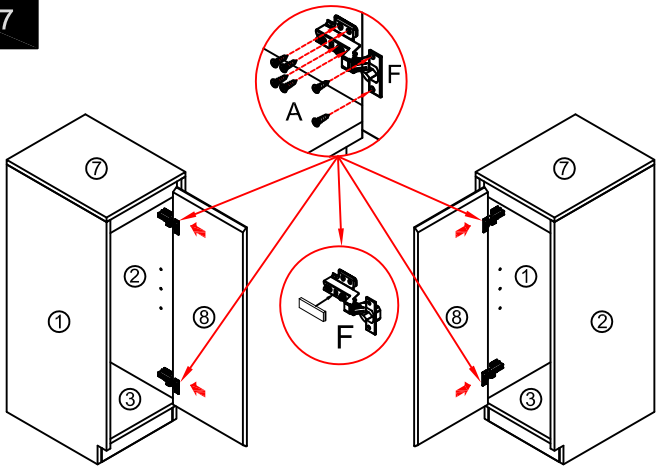
Step 6




Note: The D parts are used for these two holes

	x6
B	
	x6
C	
	x2
D	
	
L	



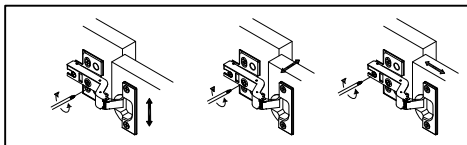
Step 7



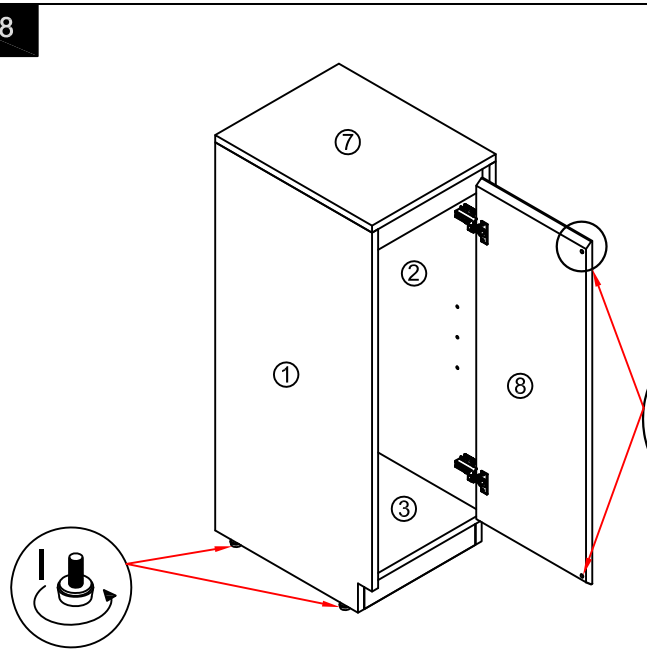
- ($\varnothing 4 \times 14\text{mm}$)
 x12
A
-  x2
F
- 
Tool



Note: The opening direction of the door panel can be installed as left or right according to one's own needs.

You can adjust the doors by tightening or loosening the screws on the hinge. →

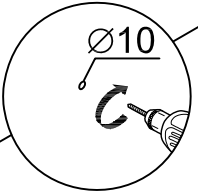
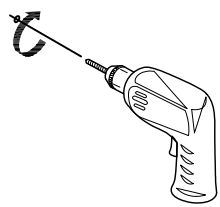
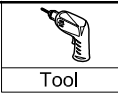


Step 8

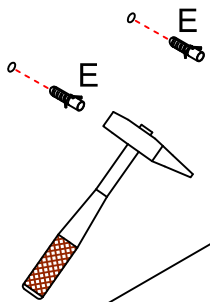
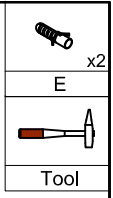


-  x4
I
-  x2
K

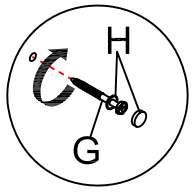
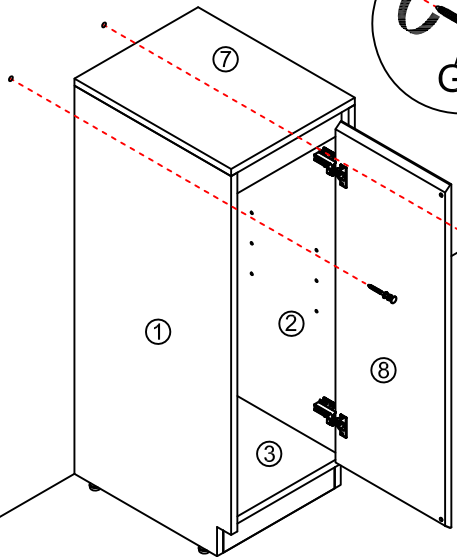
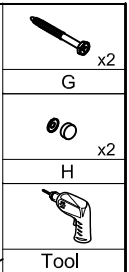
Step 9



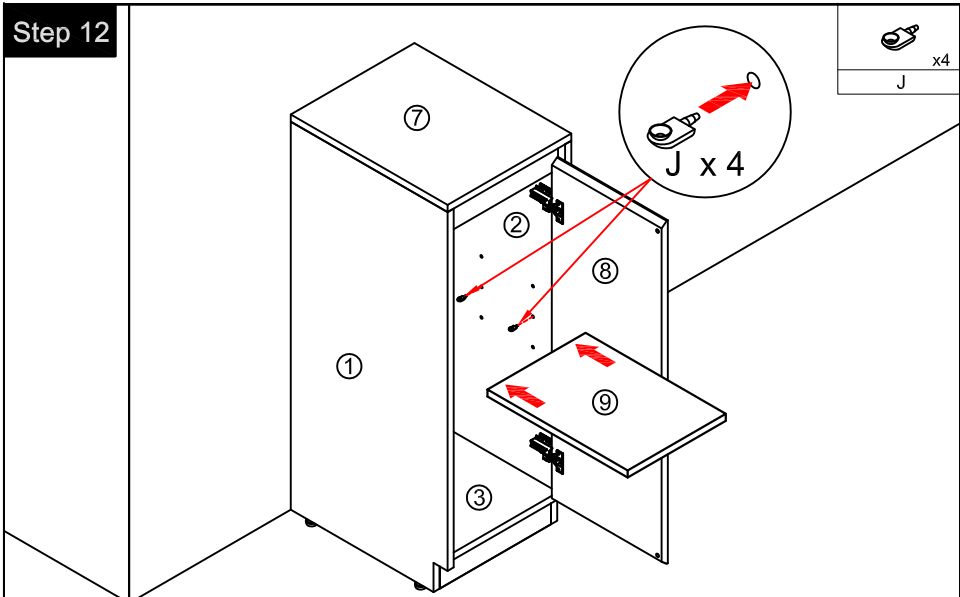
Step 10



Step 11

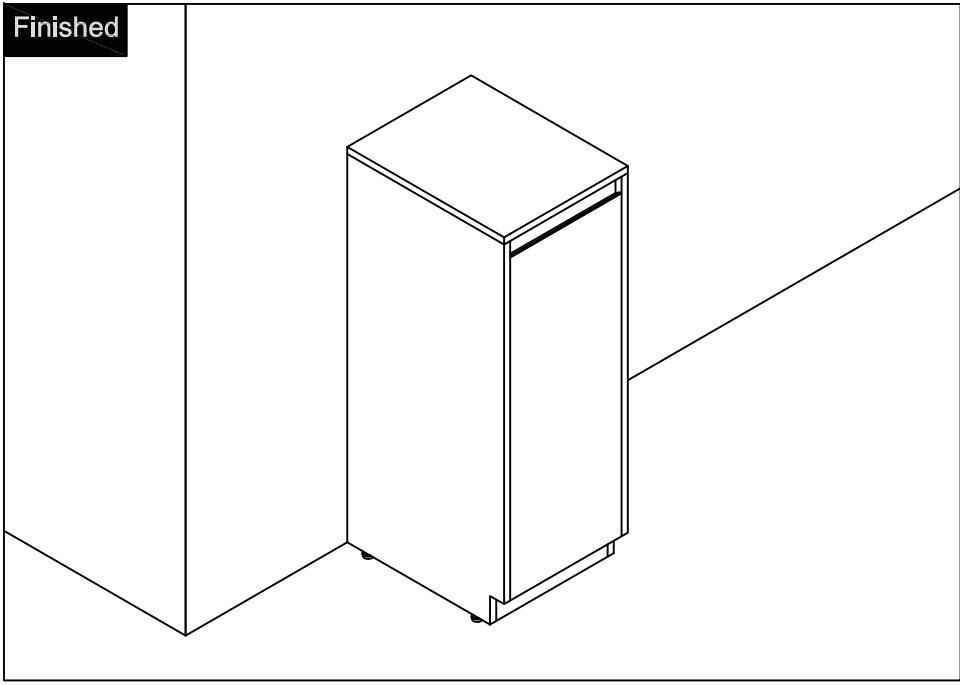


Step 12



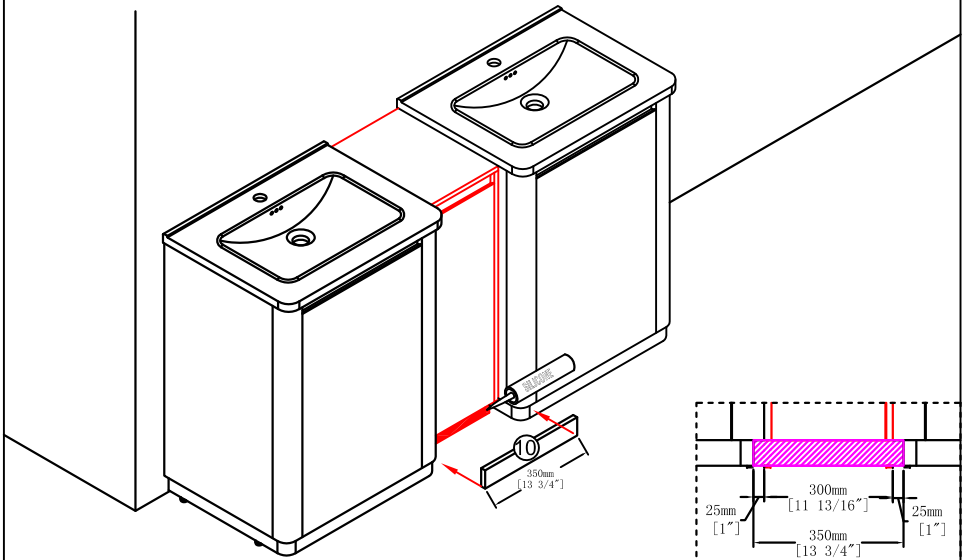
Notes:
The installation position can be selected according to the required height.

Finished

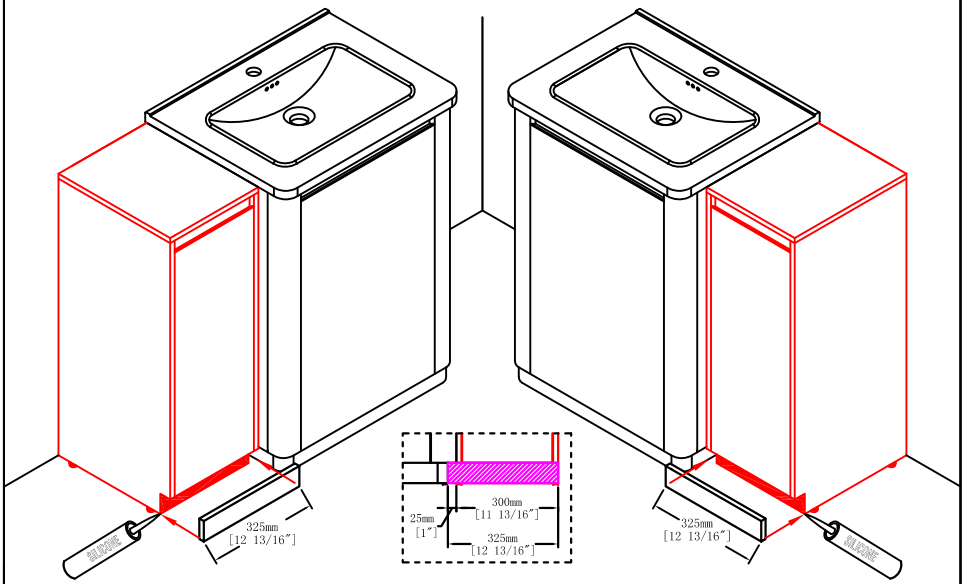


Installation instructions for combination cabinet skirting board

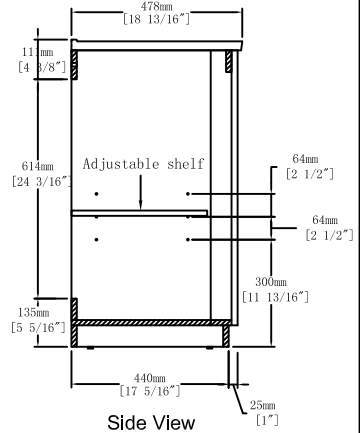
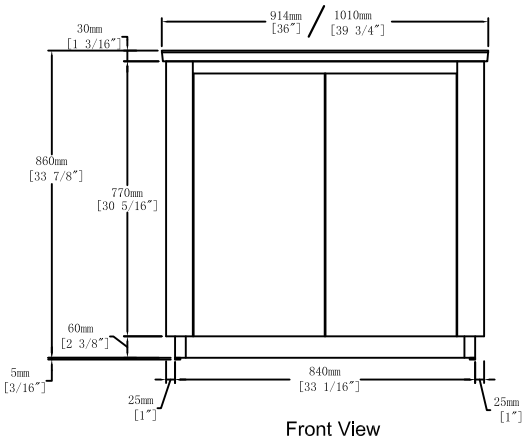
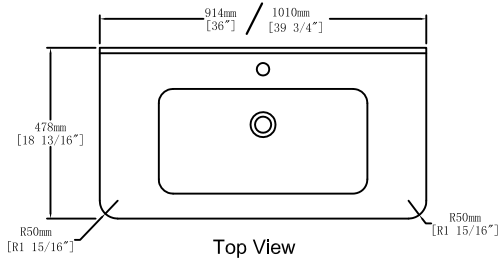
When two main cabinets are combined with one middle cabinet, a No. 10 wooden board can be added to the bottom of the middle cabinet as needed, and glass glue can be applied according to the diagram for bonding.



When combining a single main cabinet and an intermediate cabinet, the length of the bottom skirting board can be cut according to the actual length, and it is recommended to shorten it by 25mm.



Dimensions



CARE CLEANING AND MAINTENANCE

1. Dust regularly with a soft , dry cloth.
2. Avoid the use of all chemicals household cleaners, abrasives, or cleaners that contain lemon, vinegar, or other acids that may damage the finish.
3. Excessive exposure to sunlight and extreme changes in temperature and moisture can damage wood furniture.
4. The sink is fragile, please pay attention to maintaining its appearance.
5. Do not place hot appliances, such as curling irons and hot hair dryers directly on the countertop. Wipe spills immediately.