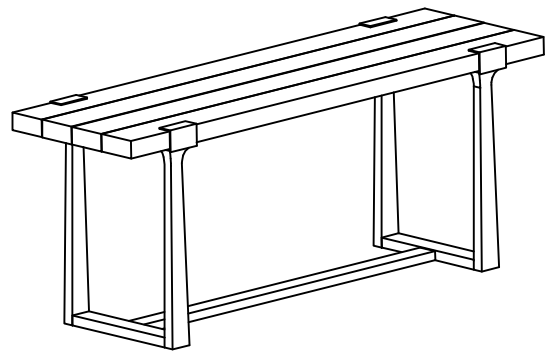


# ASSEMBLY INSTRUCTIONS

054-925

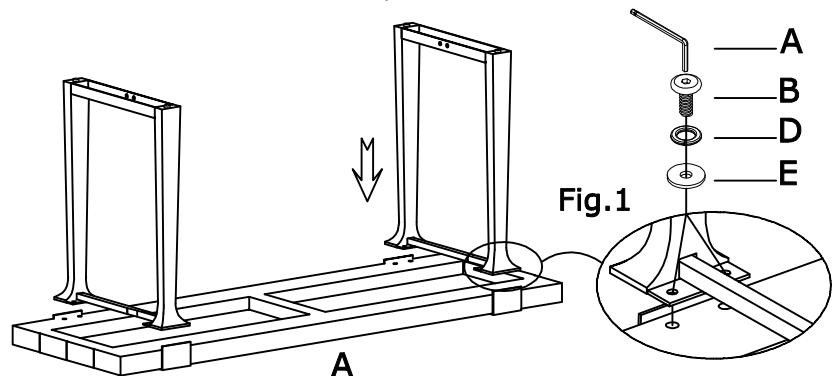


## TOOLS REQUIRED:

- Allen wrench ( Provided, part # A )
- Phillips Screwdriver ( not provided )

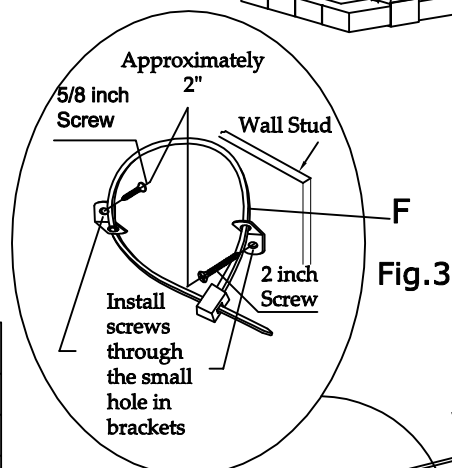
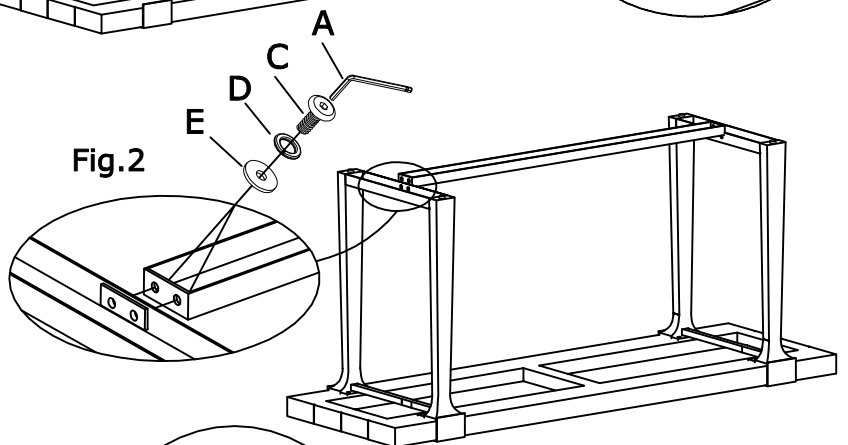
## BEFORE YOU START:

1. Check the parts against the parts list to make sure all items are present.
2. Assemble your furniture on a soft, flat surface to avoid scratching the finish.
3. **CAUTION:** Do not over tighten screws, nuts or bolts during assembly.
4. Your furniture may require occasional tightening.



## INSTRUCTIONS :

1. Turn the table upside down on a clean soft surface.
2. Attach both leg frames to the table top using bolt (B), spring washers(D), and flat washers(E), tighten with the wrench (A) as shown Fig 1(do not over tighten bolt).
3. Attach the leg frame to the support rail using bolt (C), spring washers(D), and flat washers(E) and tighten with the Allen wrench (A) as shown Fig 2.
4. Tighten all bolts before using the table.
5. For safety purpose, we recommend fixing of Anti-tip kit (F) as shown in Fig 3.



No.	Hardware List		Q'ty
A		Allen Wrench	1pc
B		Bolt (Ø1/4"x1")	8pcs
C		Bolt (Ø1/4"x5/8")	4pcs
D		Spring Washer Ø1/4"	12pcs
E		Flat Washer Ø1/4"x16mm	12pcs
F		Anti-Tip	1 set

