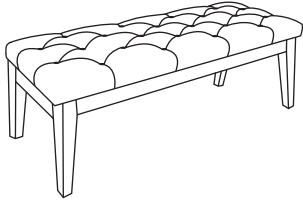








PARTS LIST



| NO | DESCRIPTION | | QTY |
|----|--------------|---|-----|
| A | Bench Seat |  | 1 |
| B | Bench Leg |  | 4 |
| C | Screw | $\Phi 5/16'' * 2-3/4''$ L  | 8 |
| D | Flat Washer | $\Phi 5/16'' * 22$ mm  | 8 |
| E | Lock Washer | $\Phi 5/16''$  | 8 |
| F | Allen Wrench | $\Phi 5$ mm  | 1 |

STEP

Note:

- 1.Check the PART LIST and HARDWARE LIST.
- 2.Install the four bench legs according to the installation drawing.

