

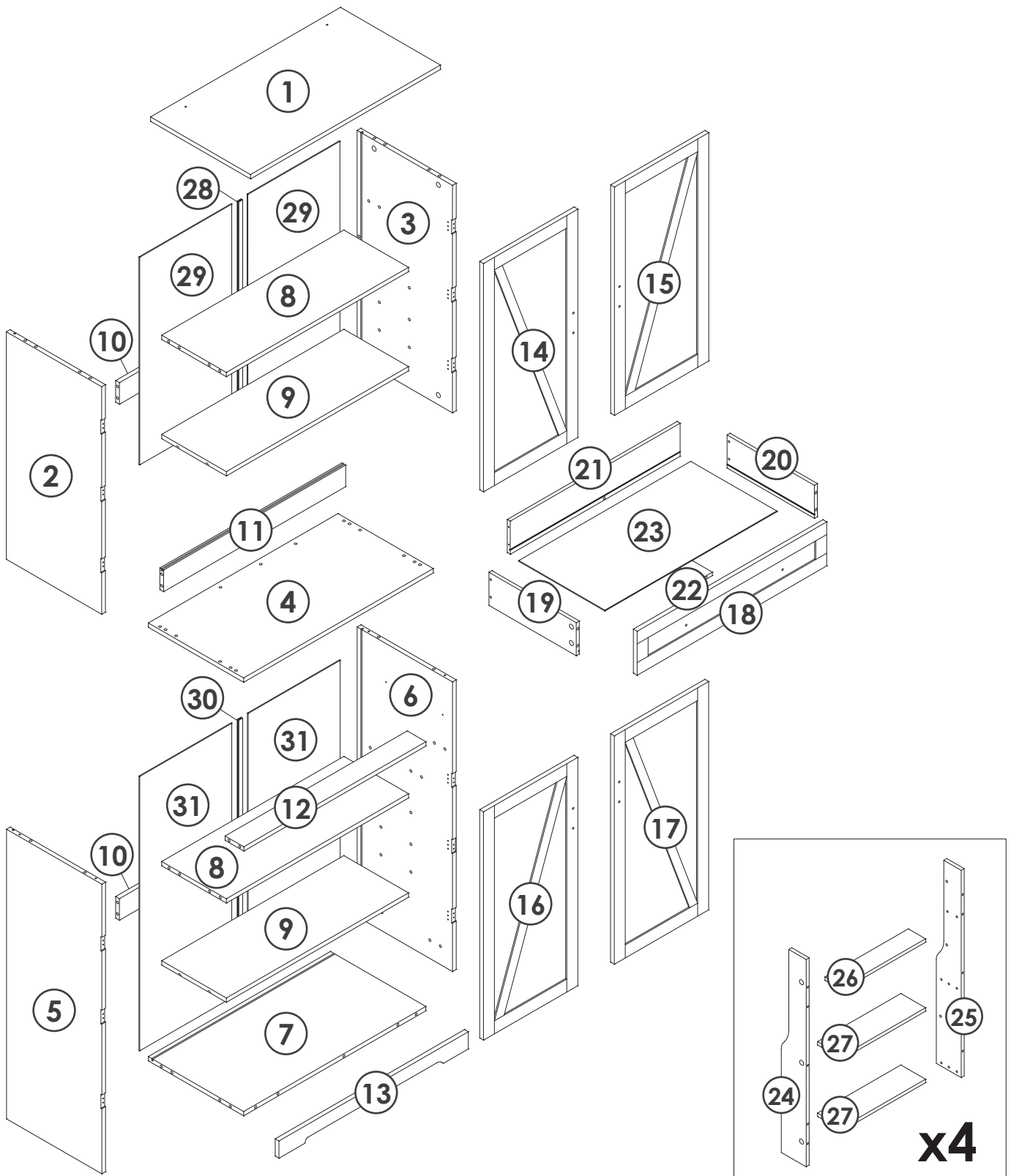
PANTRY CABINET

User Manual

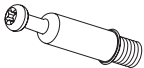

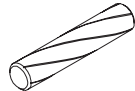
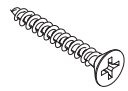
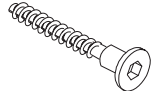

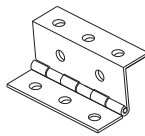
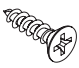
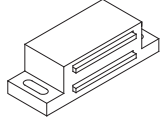
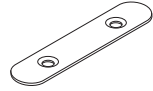
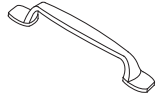
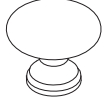


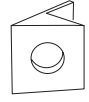
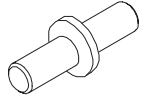



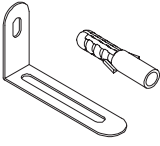

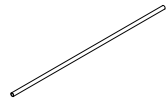
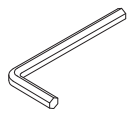
INTRODUCTION

Thank you for purchasing our products. Committed to providing customers with the best quality products and service has always been our lifelong goal. Before using the product, please read this instruction manual carefully to ensure correct use. Keep the instruction manual in a place where the user can find it at any time.

PACKAGE CONTAINS



HARDWARES LIST

A  x92	B  x92	C 6x30mm  x85	D 4x35mm  x7	E 6x50mm  x4
F 3x12mm  x20	G  x12	H 3x14mm  x120	I  x4	J  x4
K  x4	L  x2	M 4x18mm  x8	N 4x8mm  x2	O  x16
P  x8	Q  x6	R 300mm  x2		S 4x12mm  x2
T  x2	U  x60	V  x12	 x1	

PRECAUTIONS

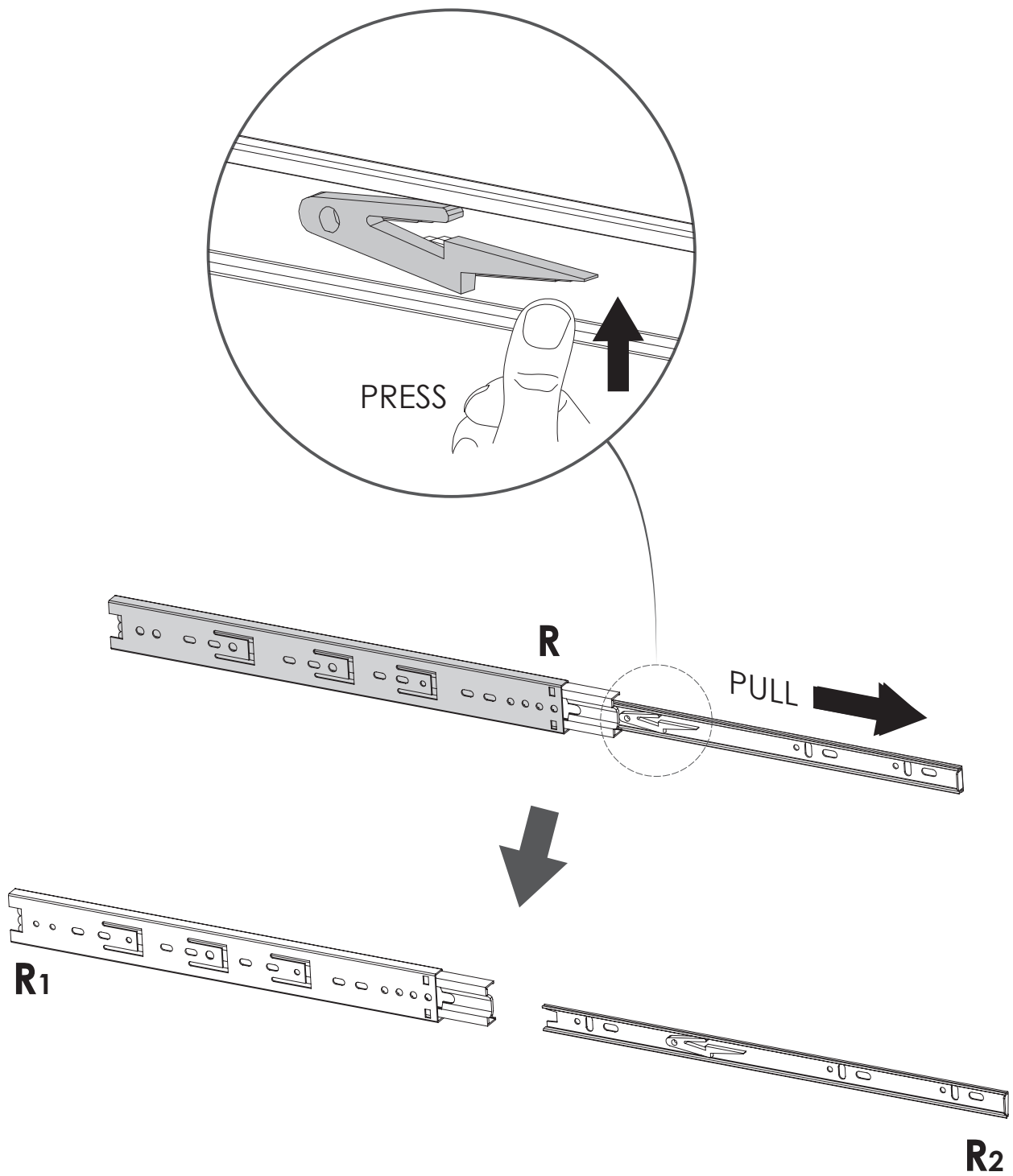
1. There are many components and accessories in the package. Each component and accessory is labeled with a letter or a number, check carefully before using any of them. Keep them away from children to prevent accidents.
2. Please install the product on a clean and soft underlay (such as carpet or cardboard) to avoid scratching or damaging the surface of the product.
3. The main components of the product is relatively heavy. Please pay attention to safety during installation.
4. The product is not stable during installation. Please do not move it randomly before it is completely installed.
5. If you have any questions during installation, please contact the customer service in time.

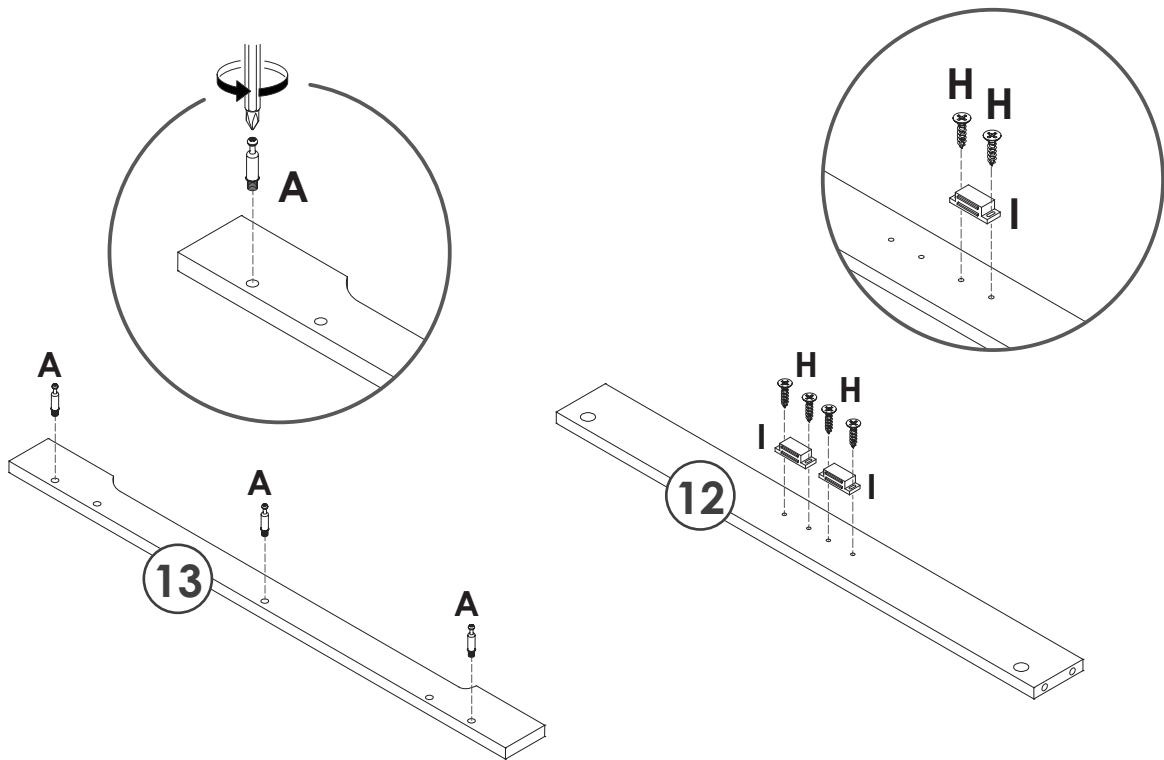
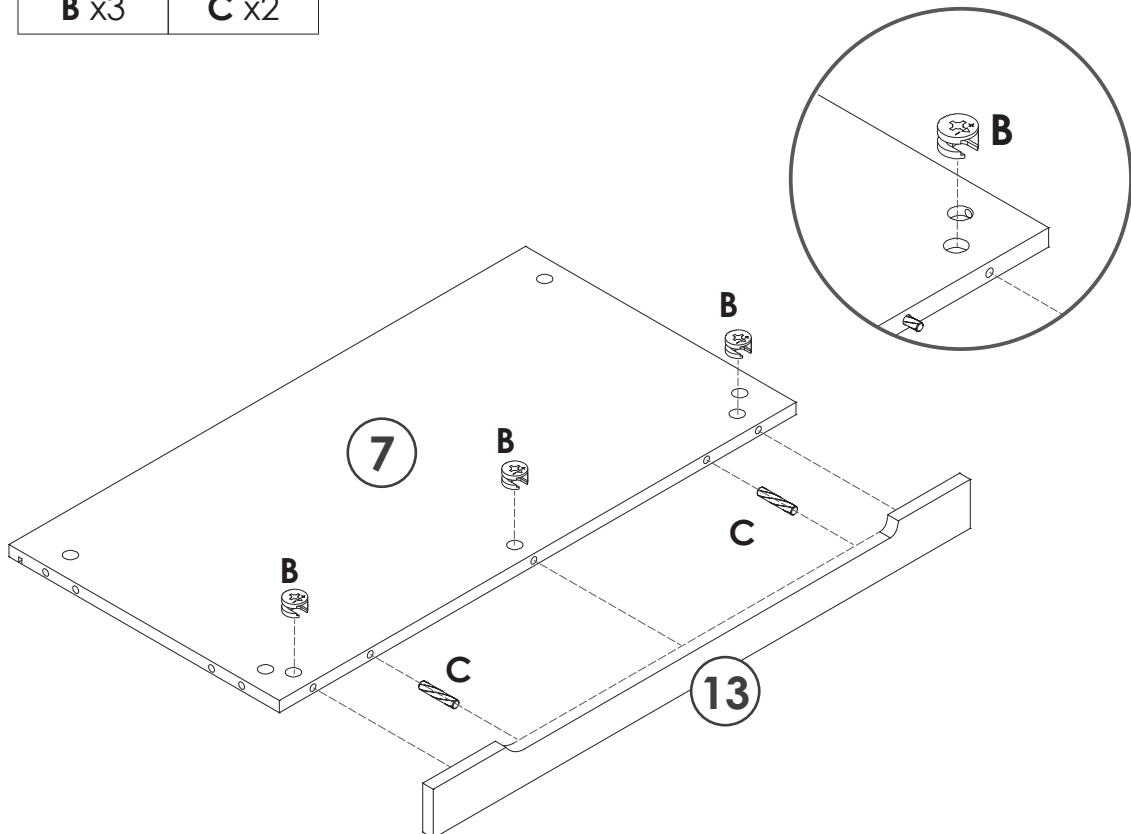
*** PLEASE BE SURE TO FOLLOW THE INSTALLATION STEPS IN THE MANUAL TO AVOID UNNECESSARY LOSSES CAUSED BY IMPROPER INSTALLATION.**

*** IF YOU NEED FUTHER ASSIATANCE,PLEASE CONTACT THE CUSTOMER SERVICE ONLINE.**

INSTALLATION STEPS

Please be sure to split the R slide rail into 2 parts and install them separately.



1**YOU WILL NEED****A x3****H x4****I x2****2****YOU WILL NEED****B x3****C x2**

3

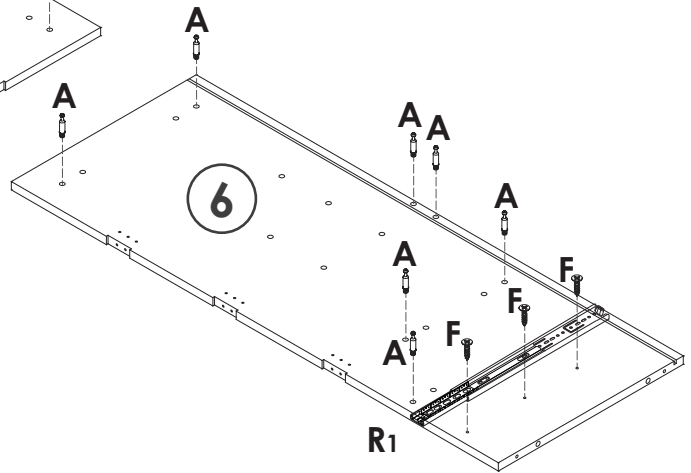
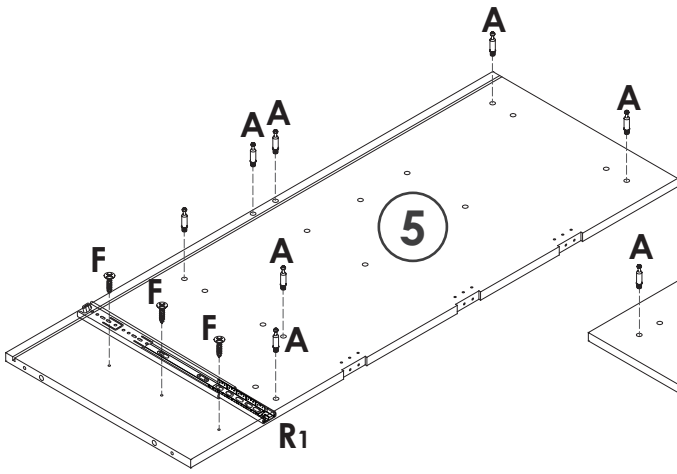
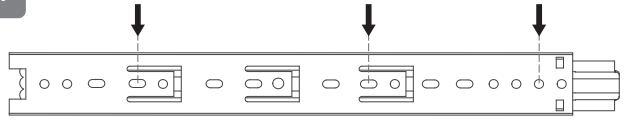
YOU WILL NEED

A x14

F x6

R1 x2

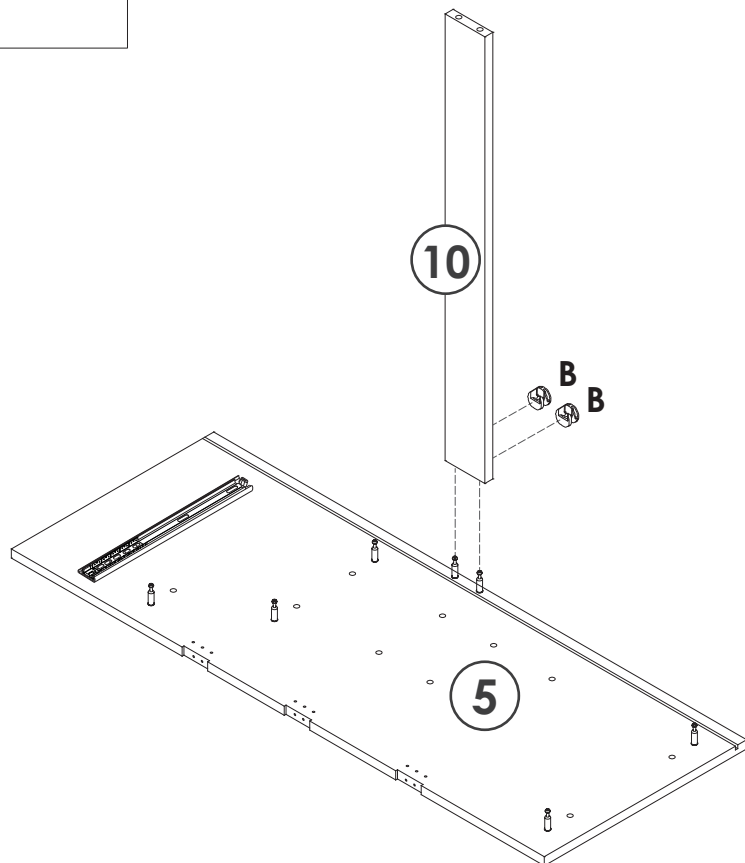
R1



4

YOU WILL NEED

B x2

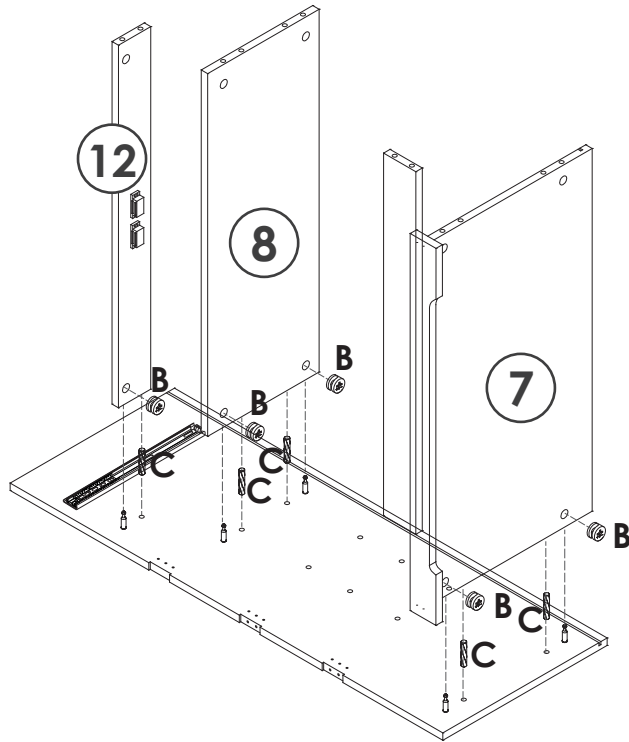


5

YOU WILL NEED

B x5

C x5

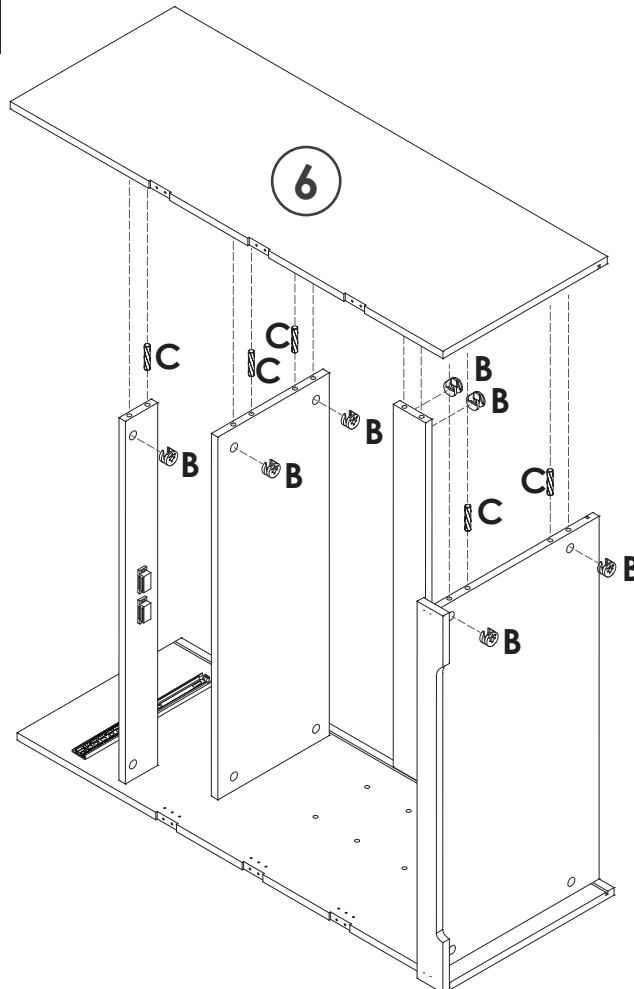


6

YOU WILL NEED

B x7

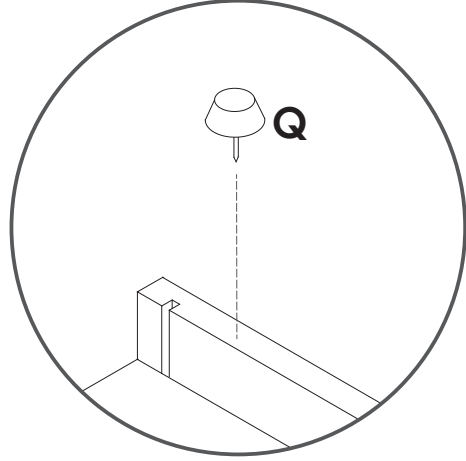
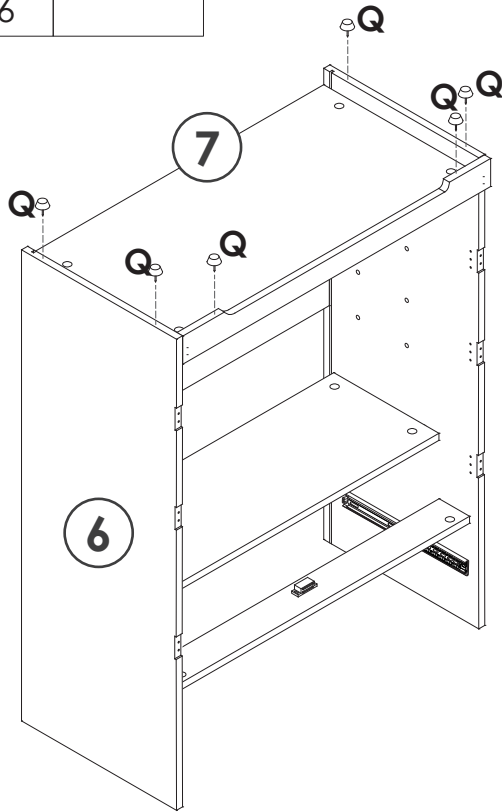
C x5



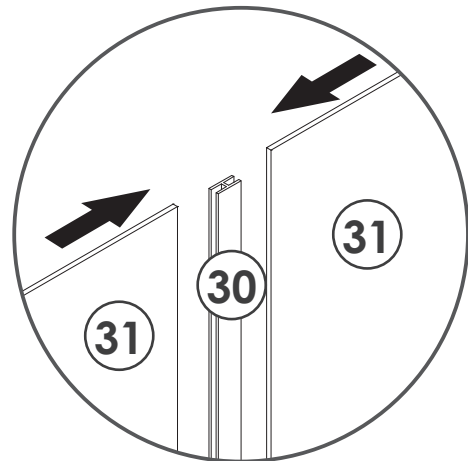
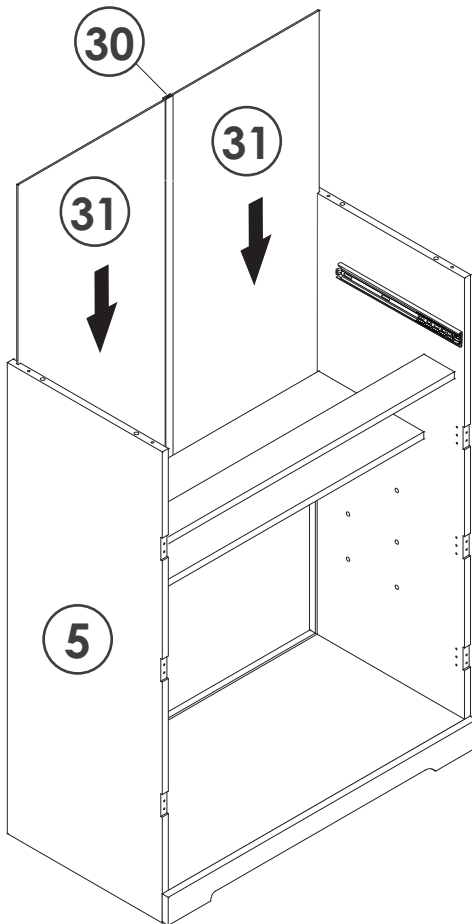
7

YOU WILL NEED

Q x6



8

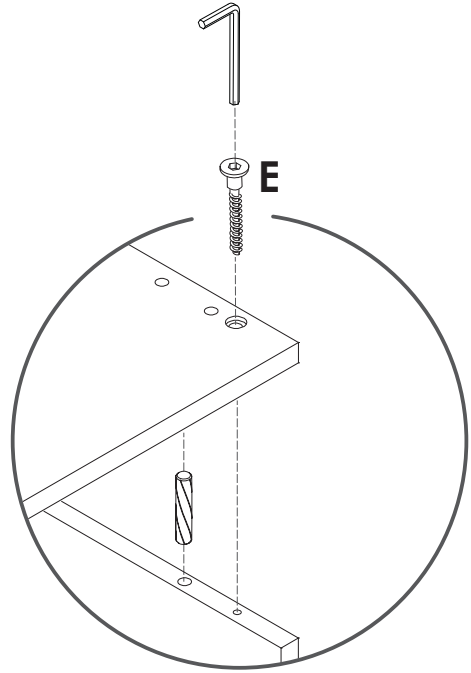
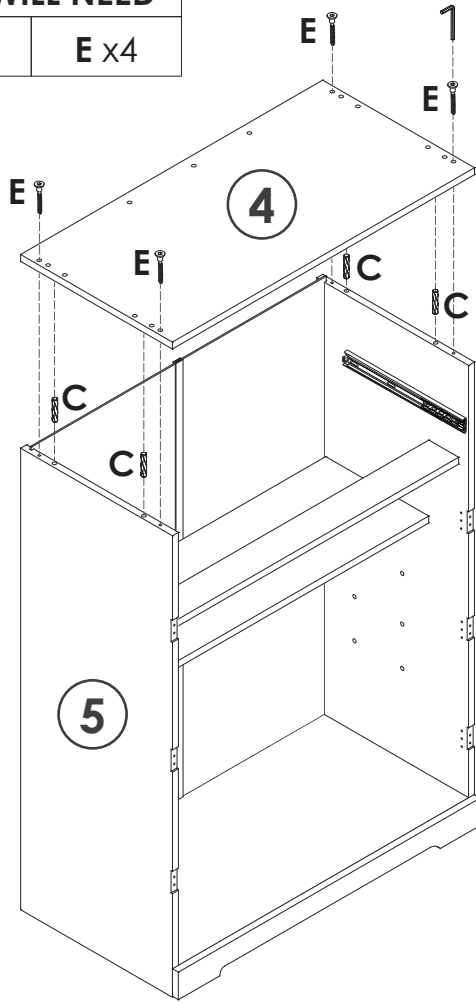


9

YOU WILL NEED

C x4

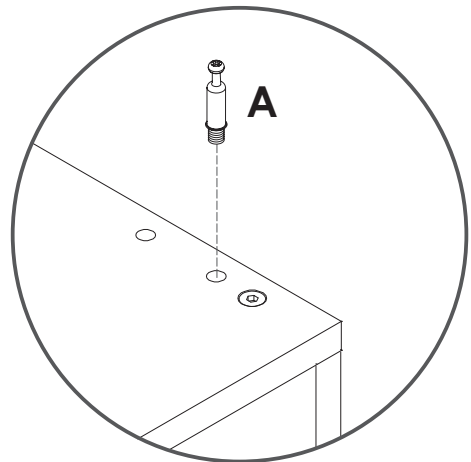
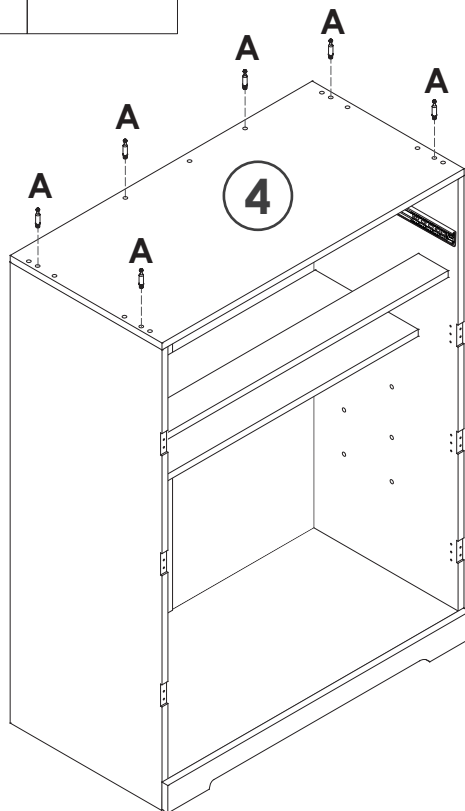
E x4

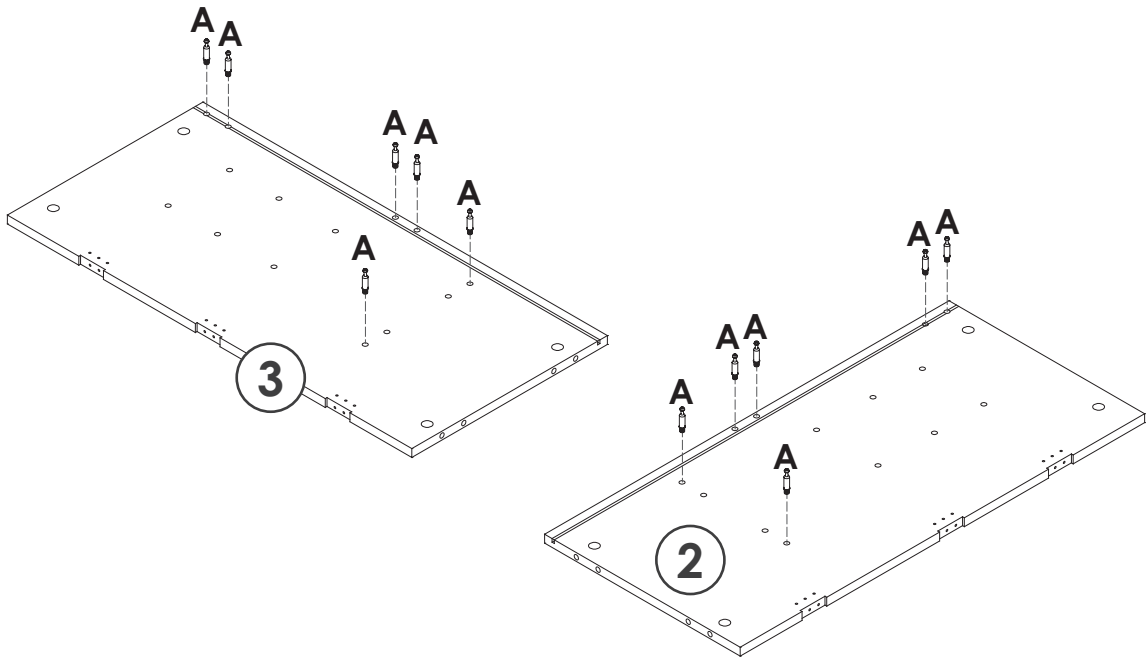
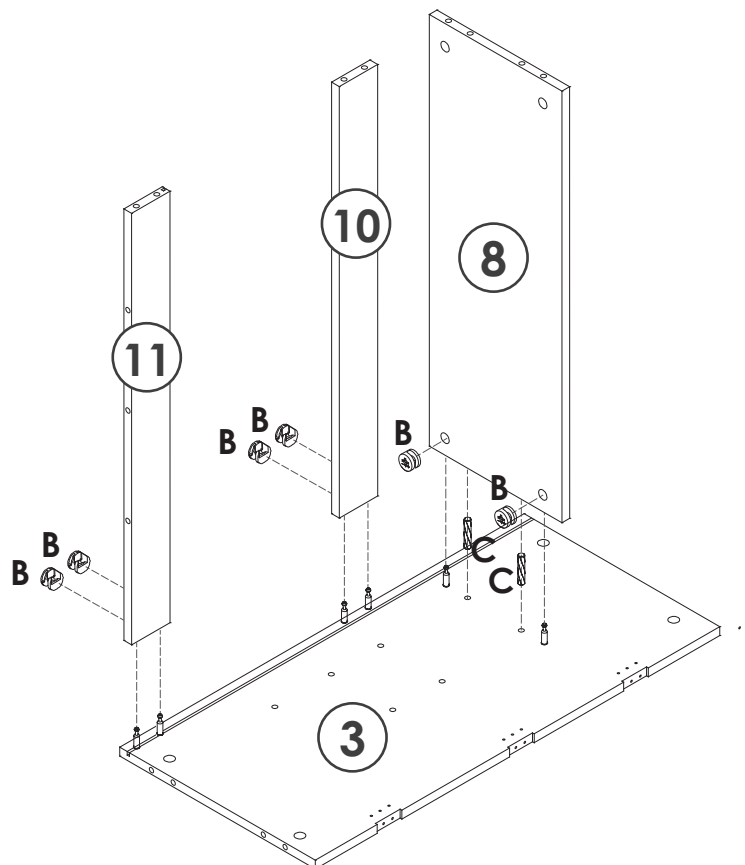


10

YOU WILL NEED

A x6



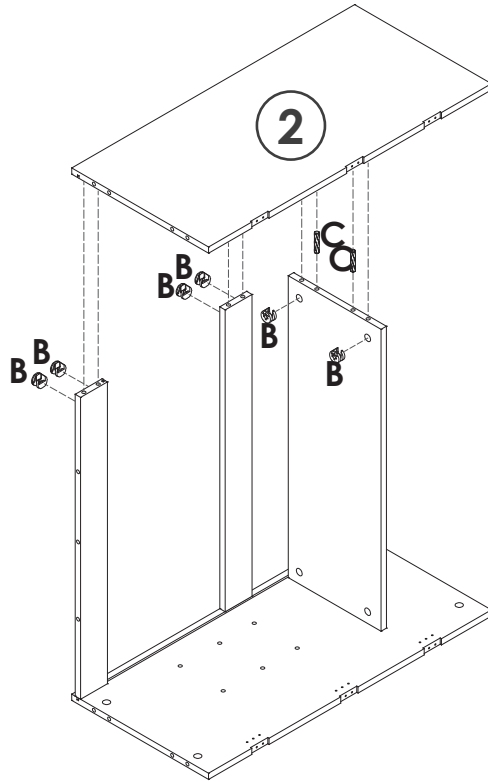
11**YOU WILL NEED****A x12****12****YOU WILL NEED****B x6****C x2**

13

YOU WILL NEED

B x6

C x2

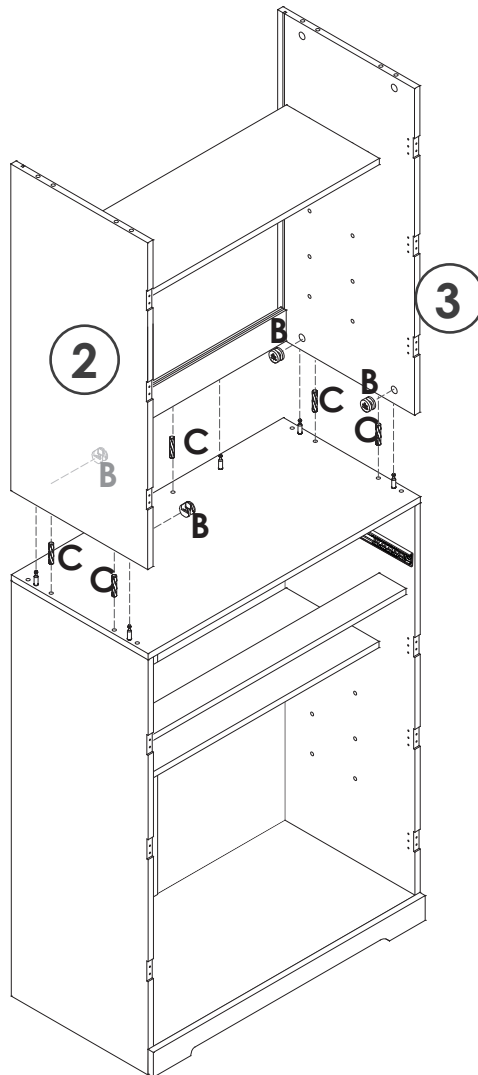


14

YOU WILL NEED

B x4

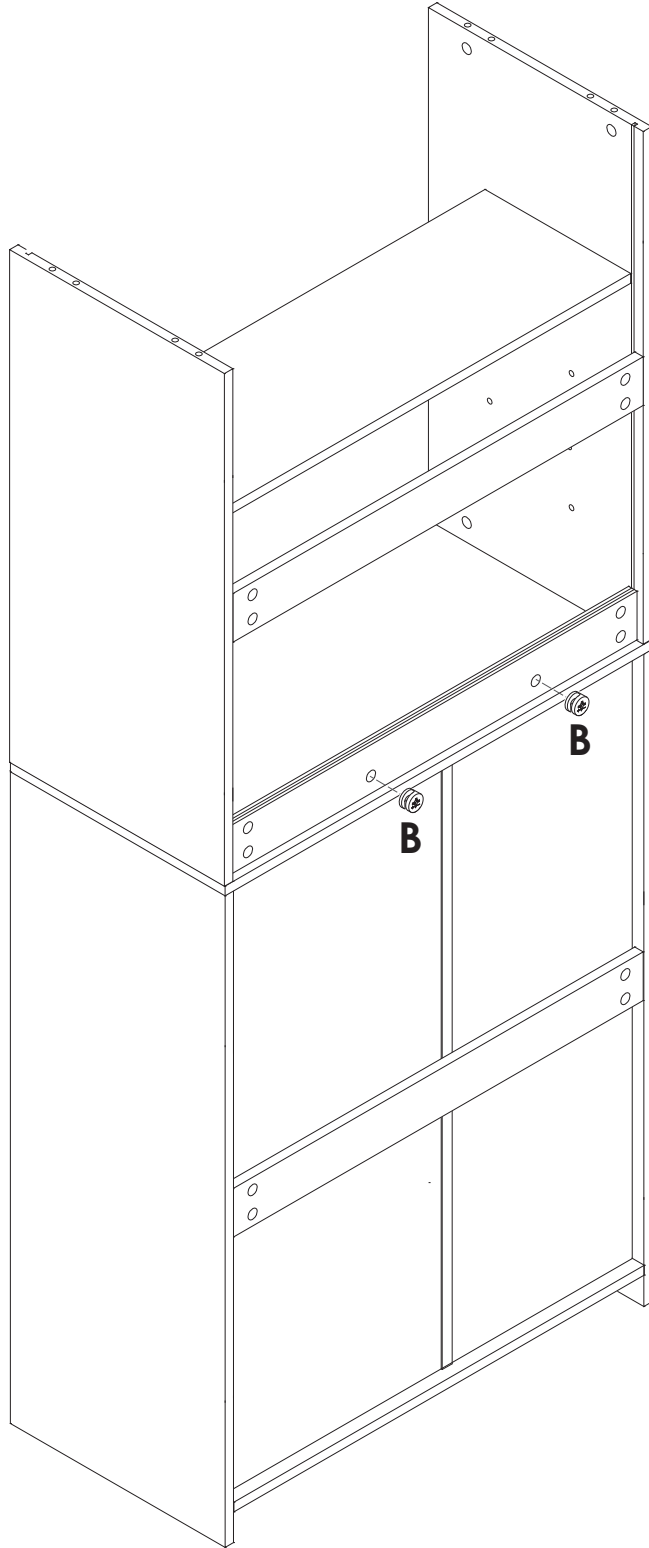
C x5

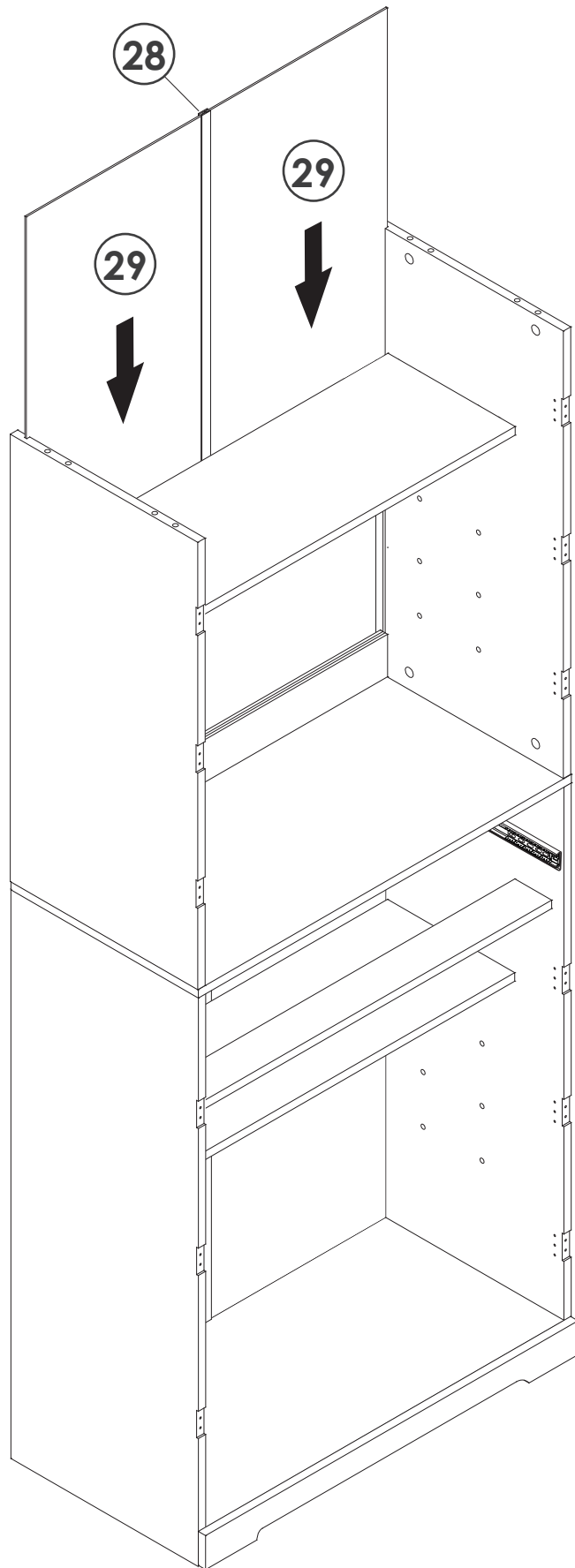


15

YOU WILL NEED

B x2





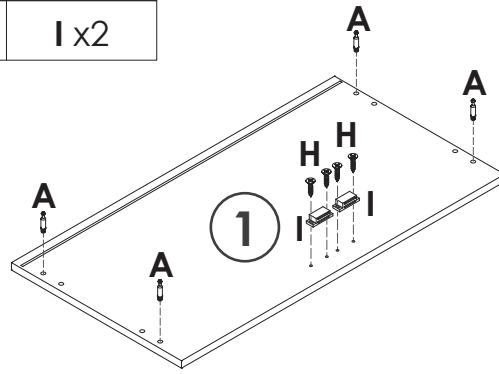
17

YOU WILL NEED

A x4

H x4

I x2

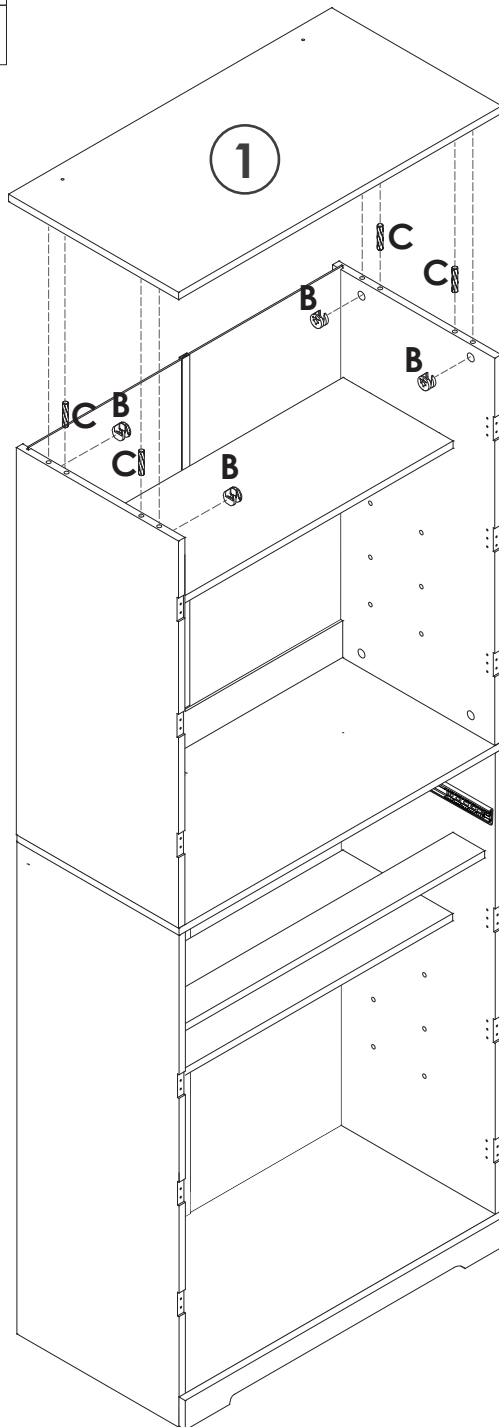


18

YOU WILL NEED

B x4

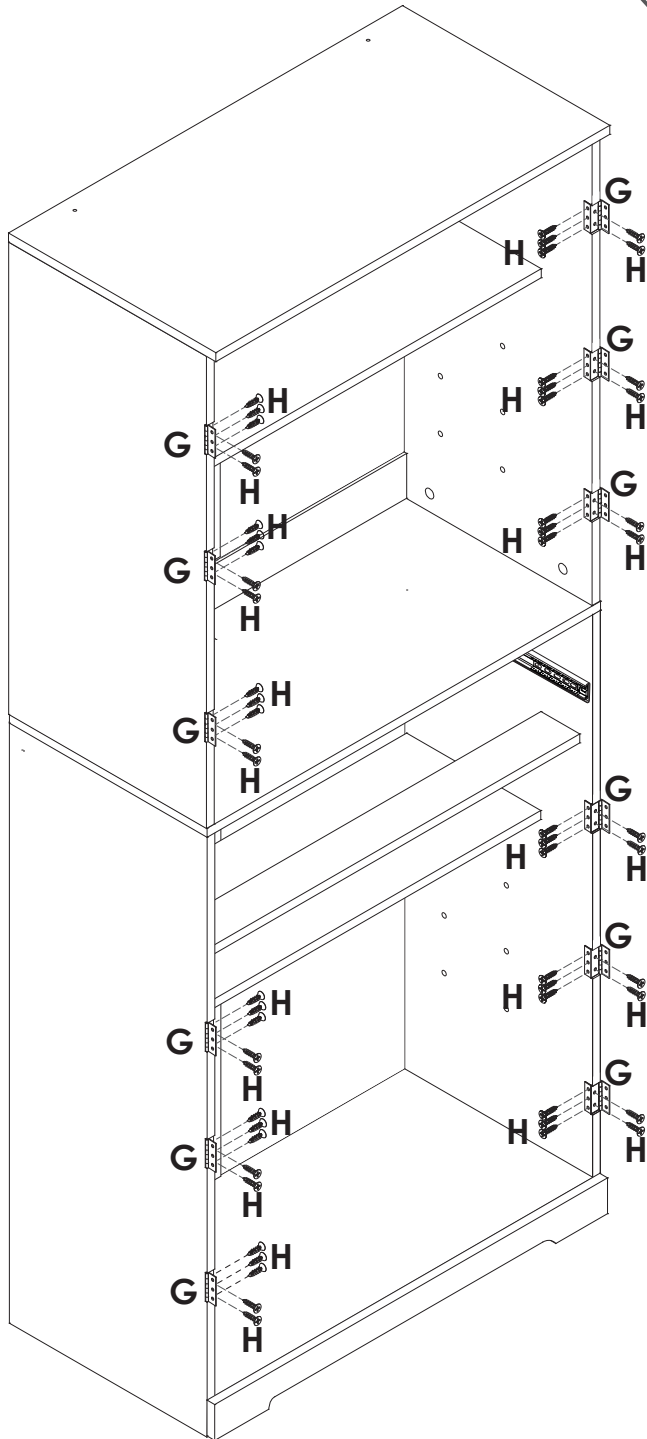
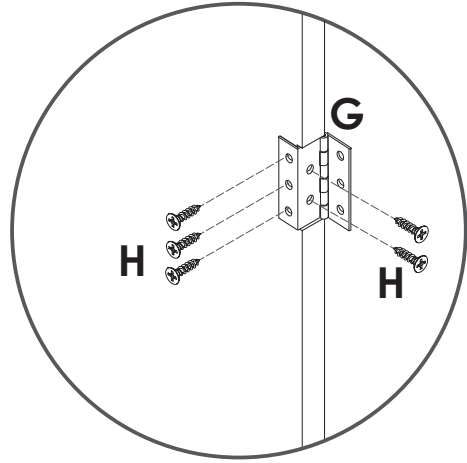
C x4



YOU WILL NEED

H x60

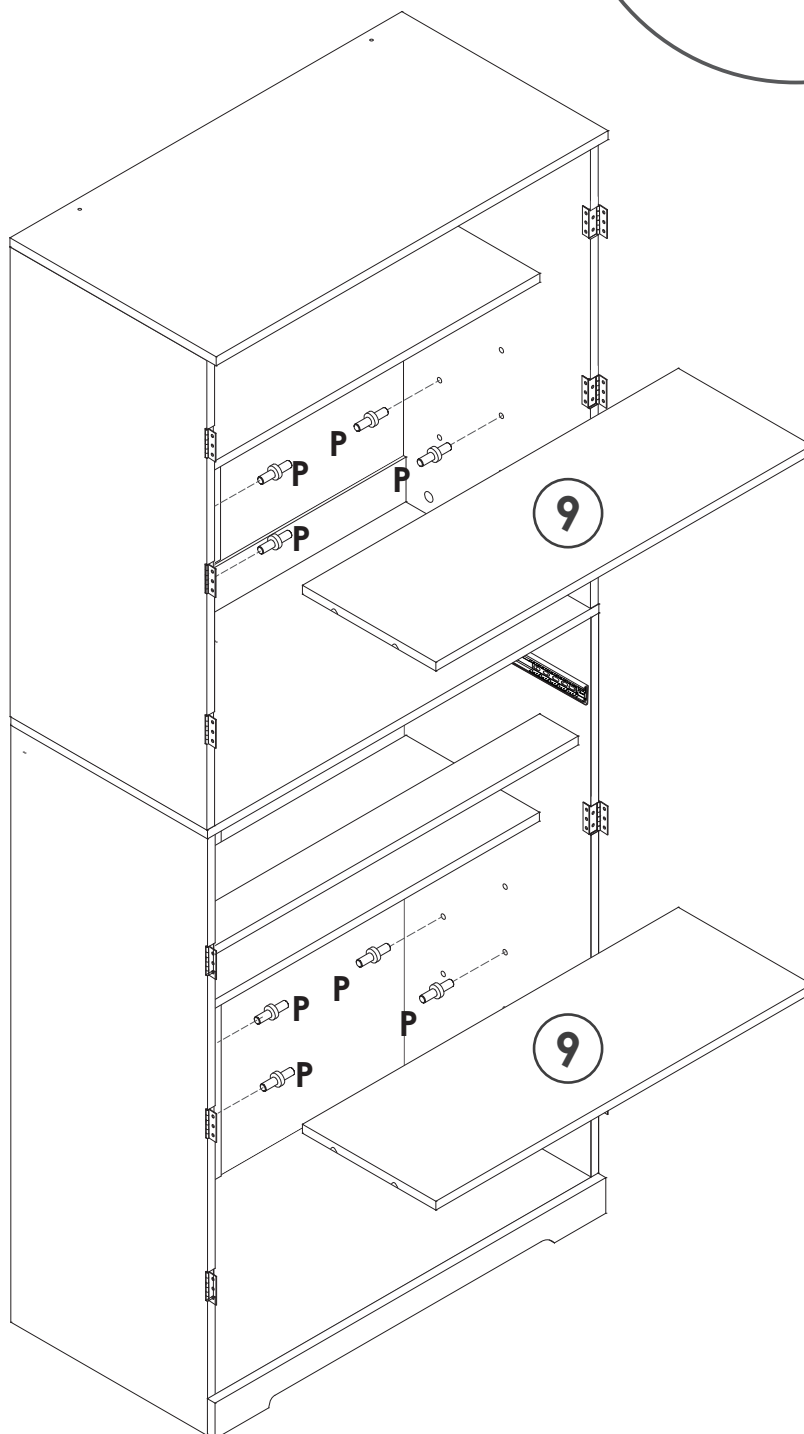
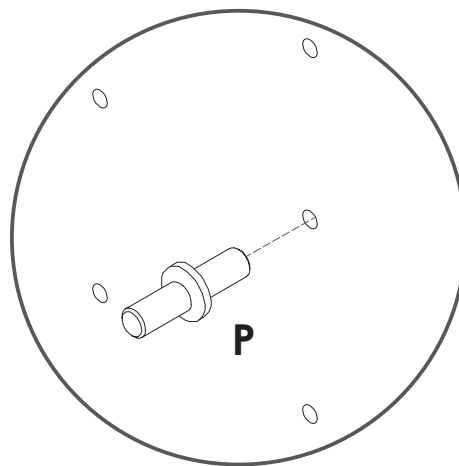
G x12



20

YOU WILL NEED

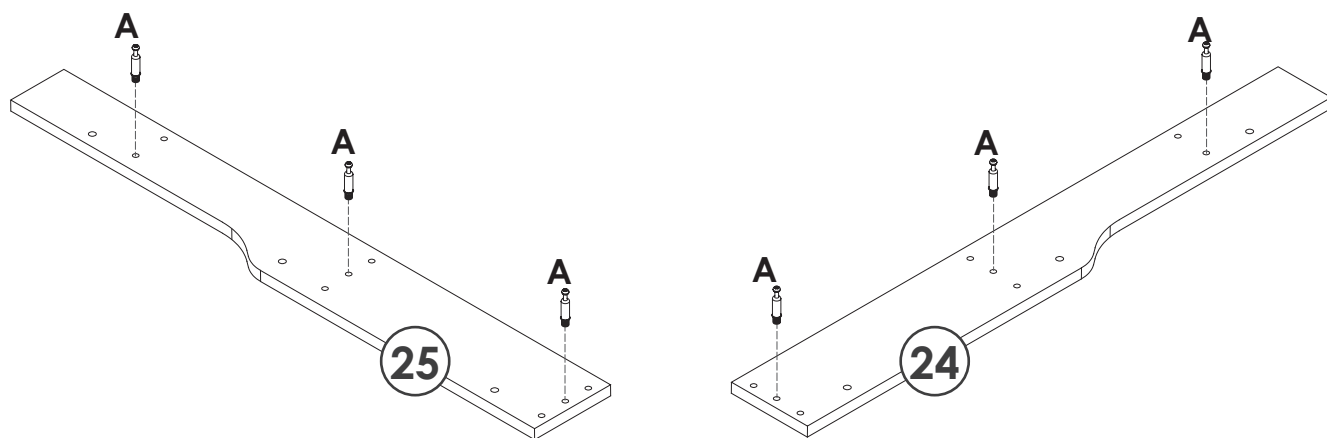
P x8



21

YOU WILL NEED

A x24



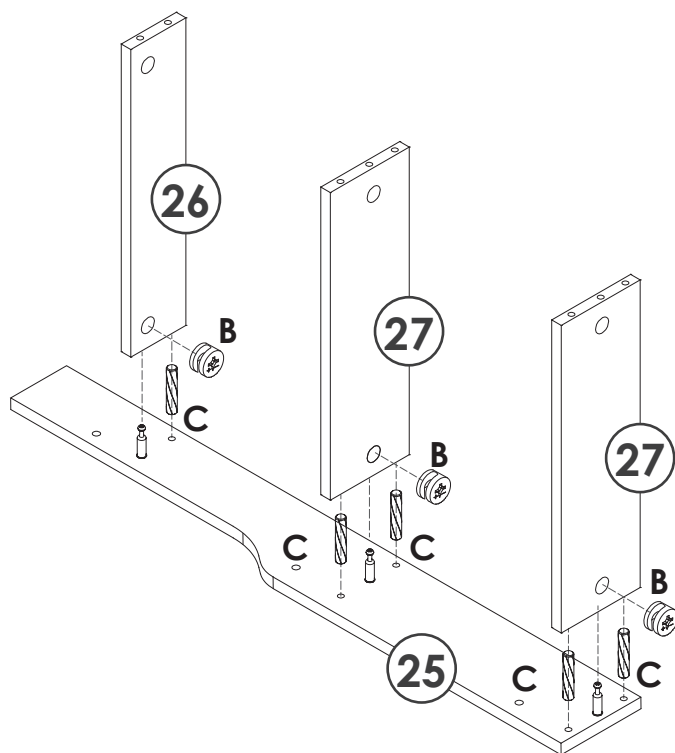
x4

22

YOU WILL NEED

B x12

C x20

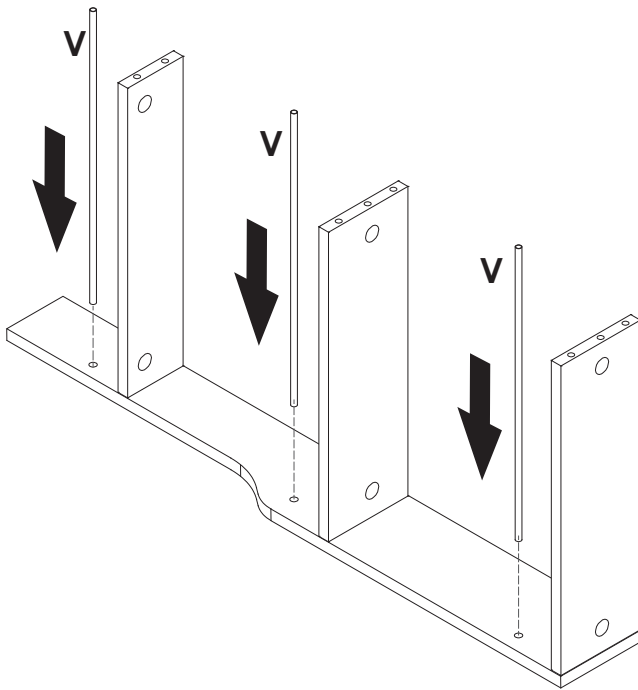


x4

23

YOU WILL NEED

V x12



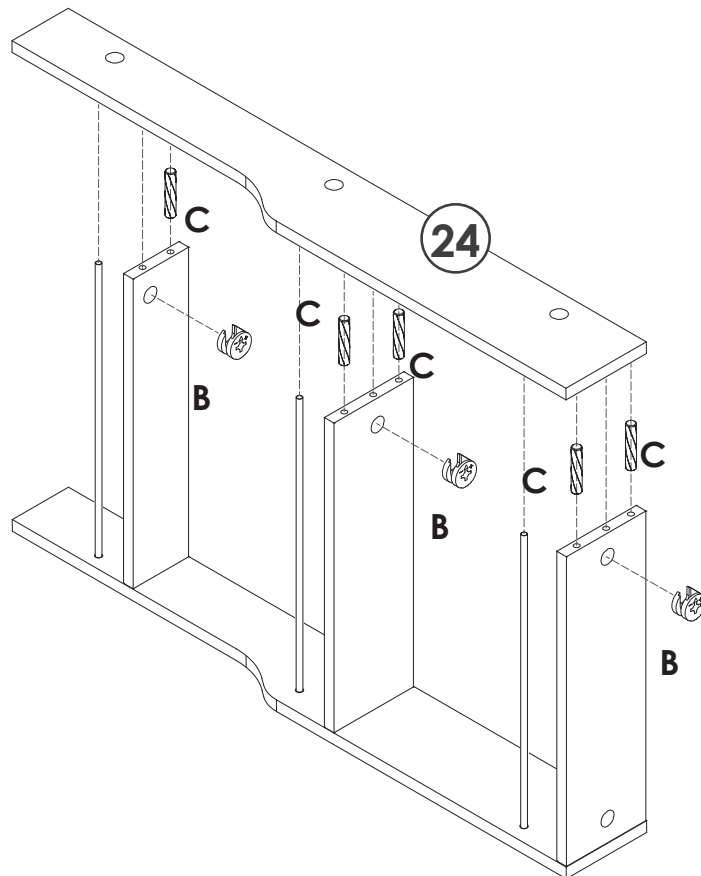
x4

24

YOU WILL NEED

B x12

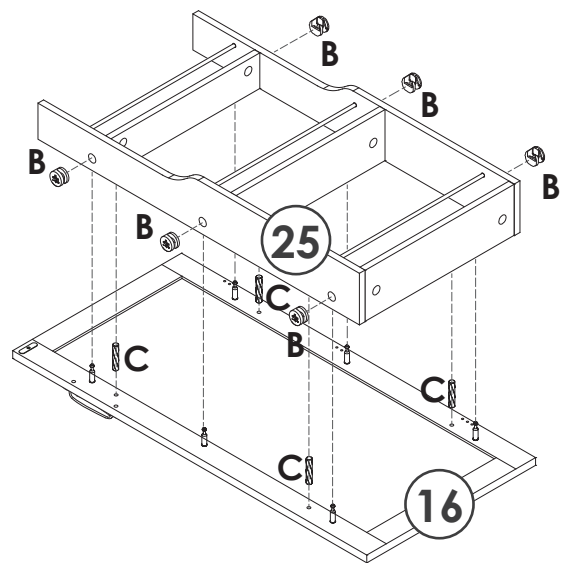
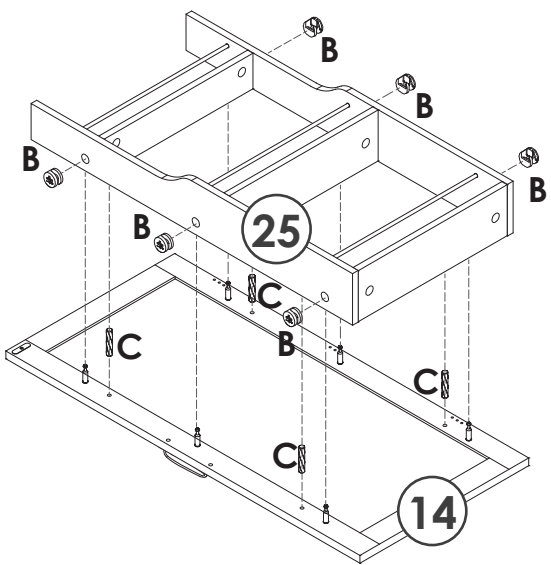
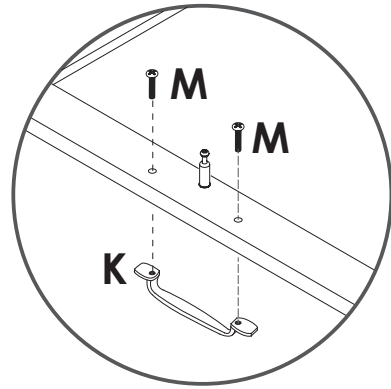
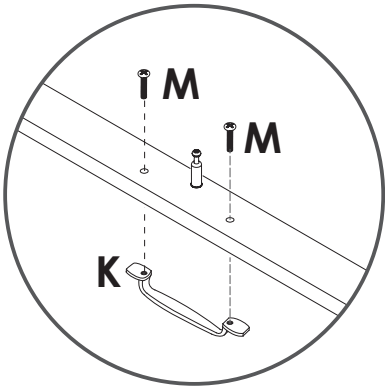
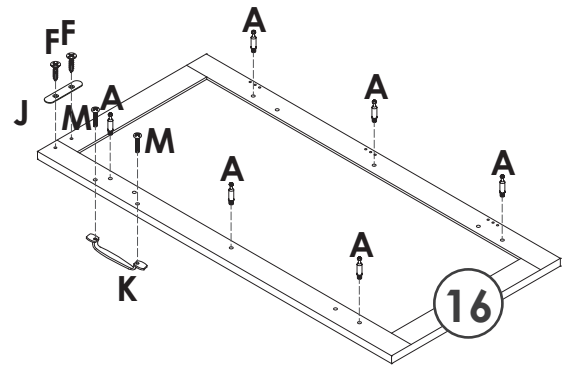
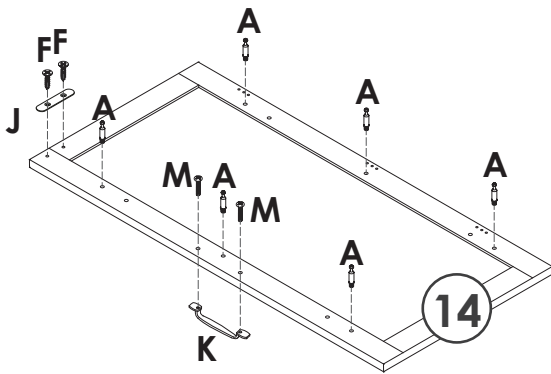
C x20



x4

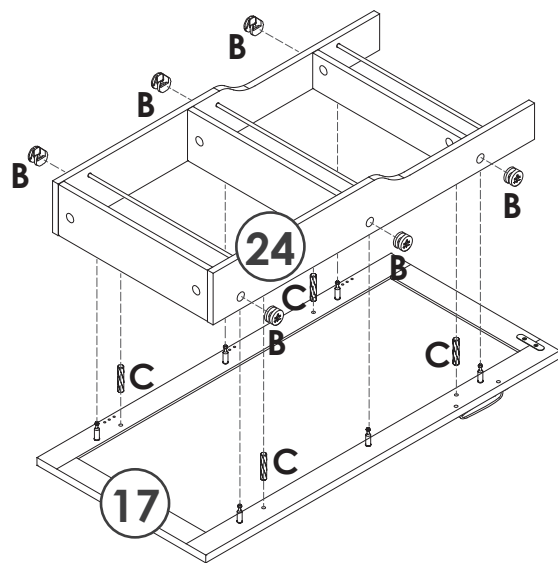
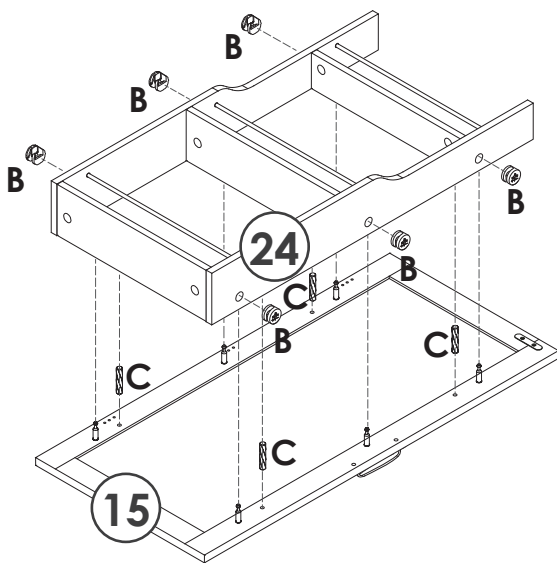
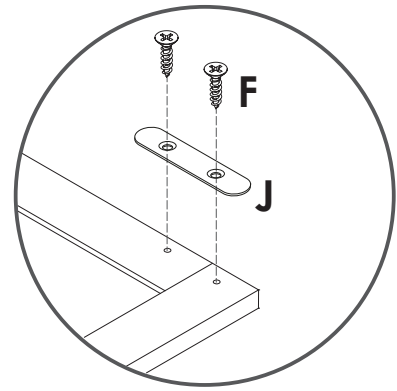
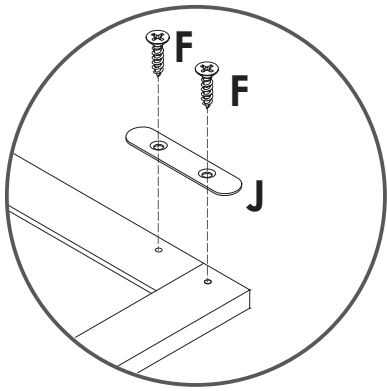
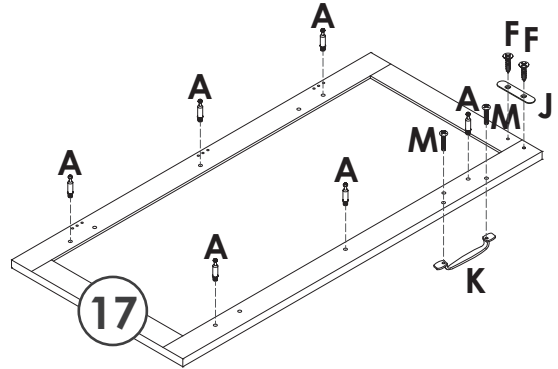
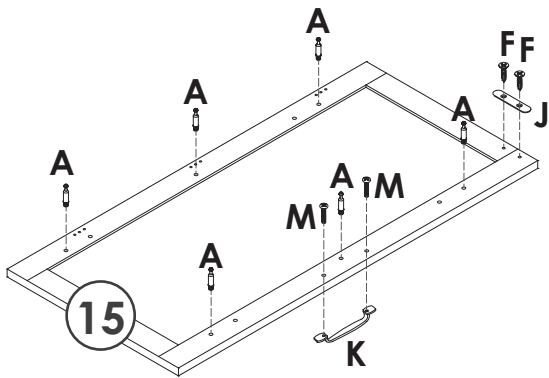
YOU WILL NEED

A x12	B x12	C x8	F x4	J x2	K x2	M x4
-------	-------	------	------	------	------	------



YOU WILL NEED

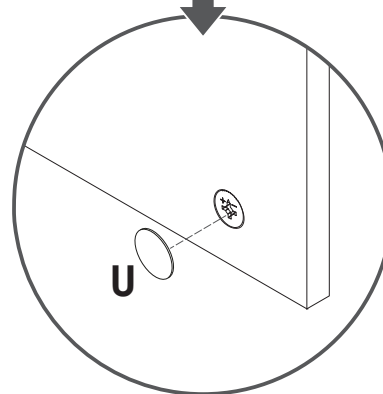
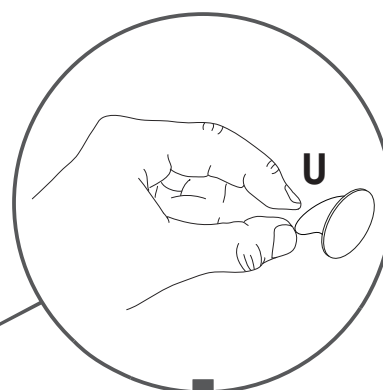
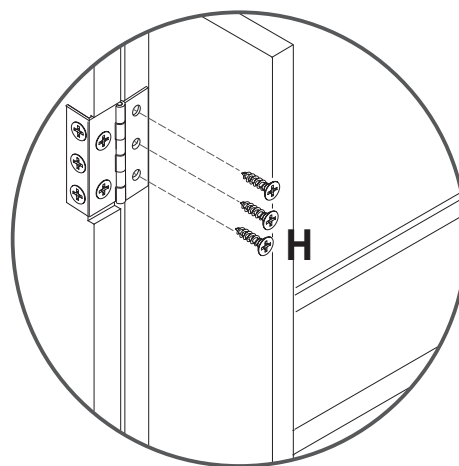
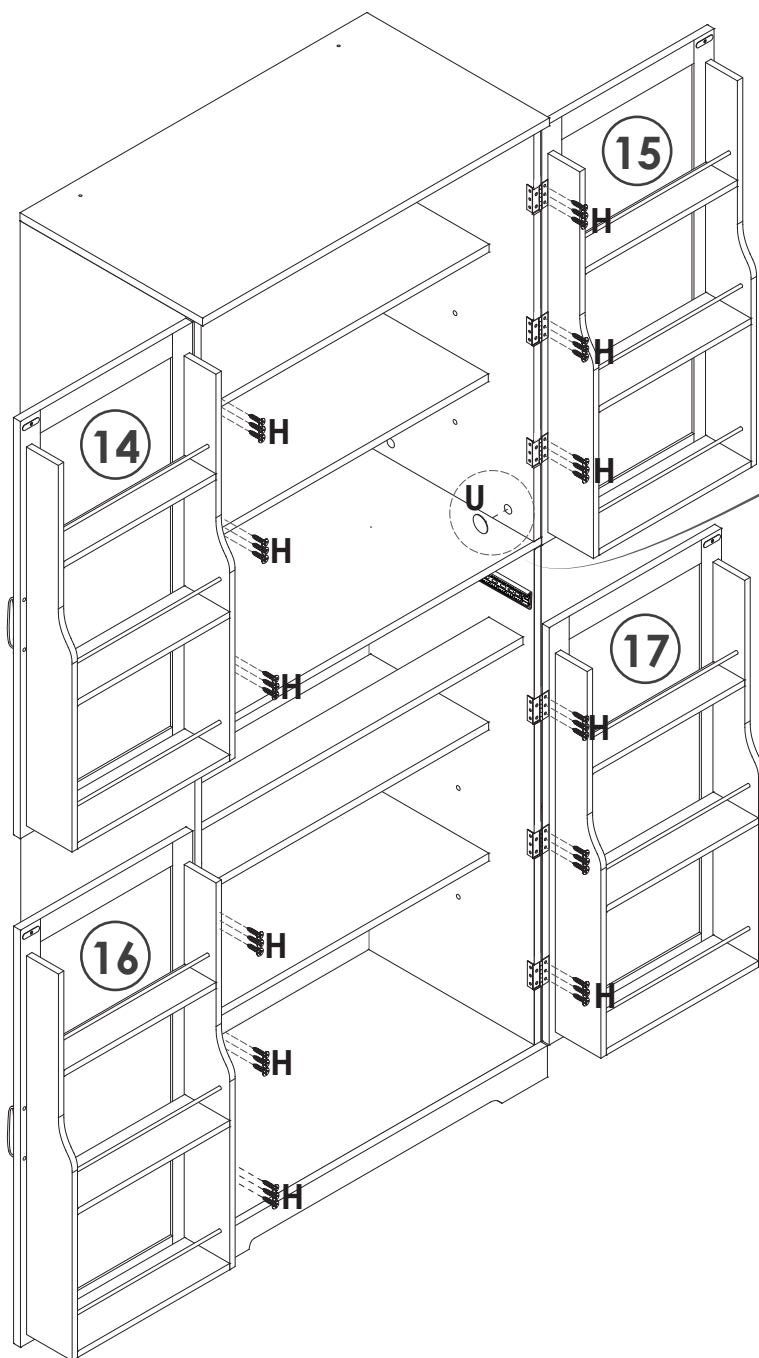
A x12	B x12	C x8	F x4	J x2	K x2	M x4
-------	-------	------	------	------	------	------



YOU WILL NEED

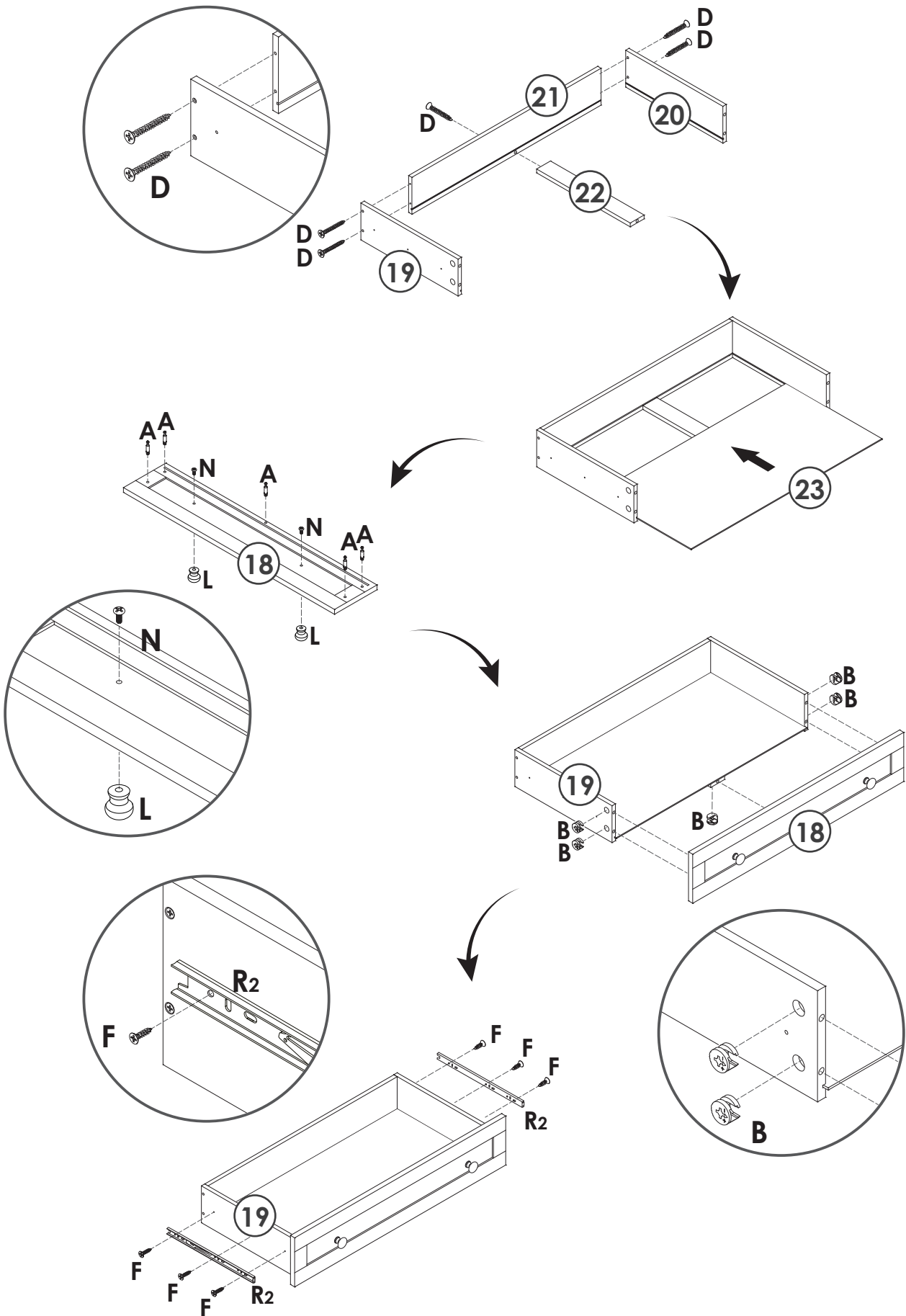
H x36

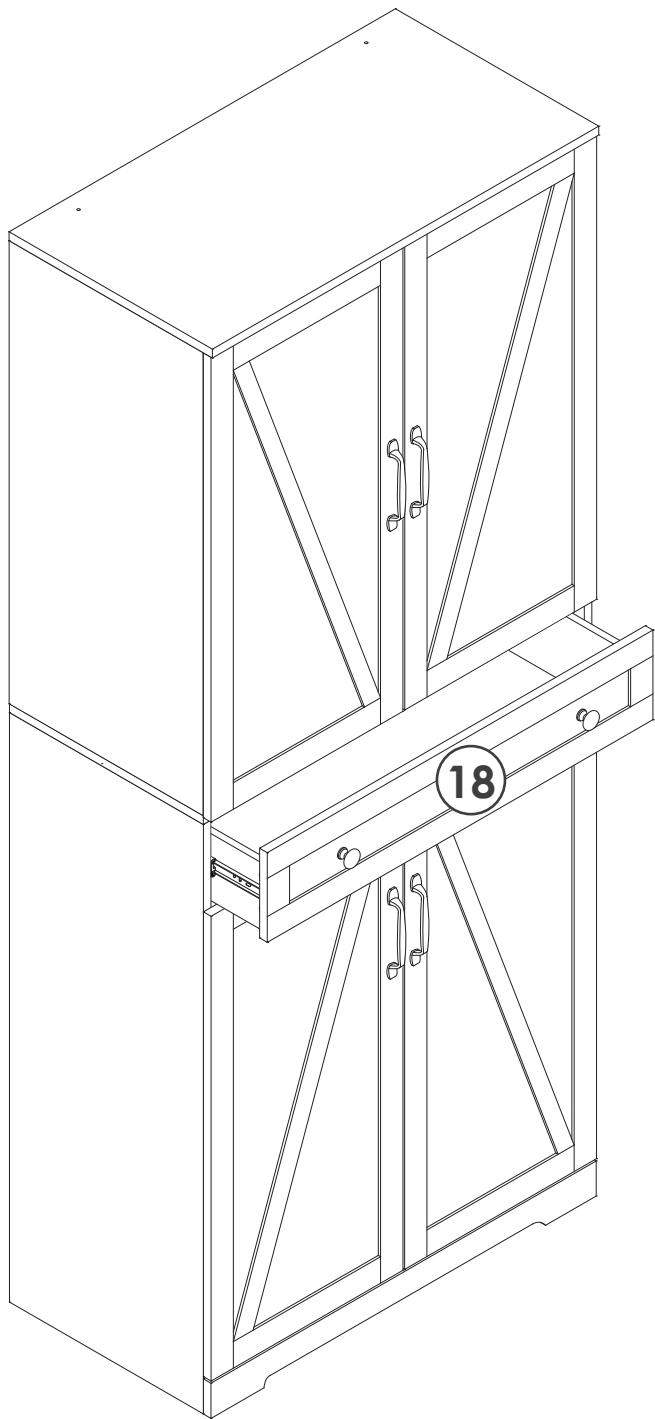
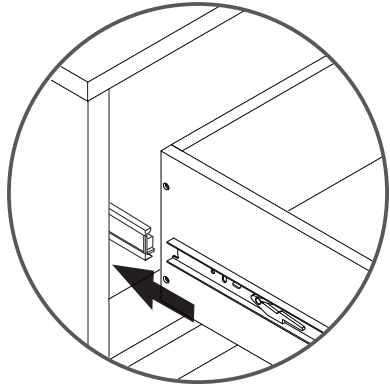
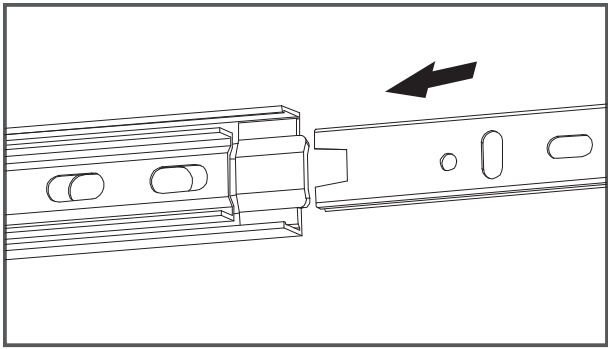
U x60



YOU WILL NEED

A x5	B x5	D x5	F x6	L x2	N x2	R2 x2
------	------	------	------	------	------	-------



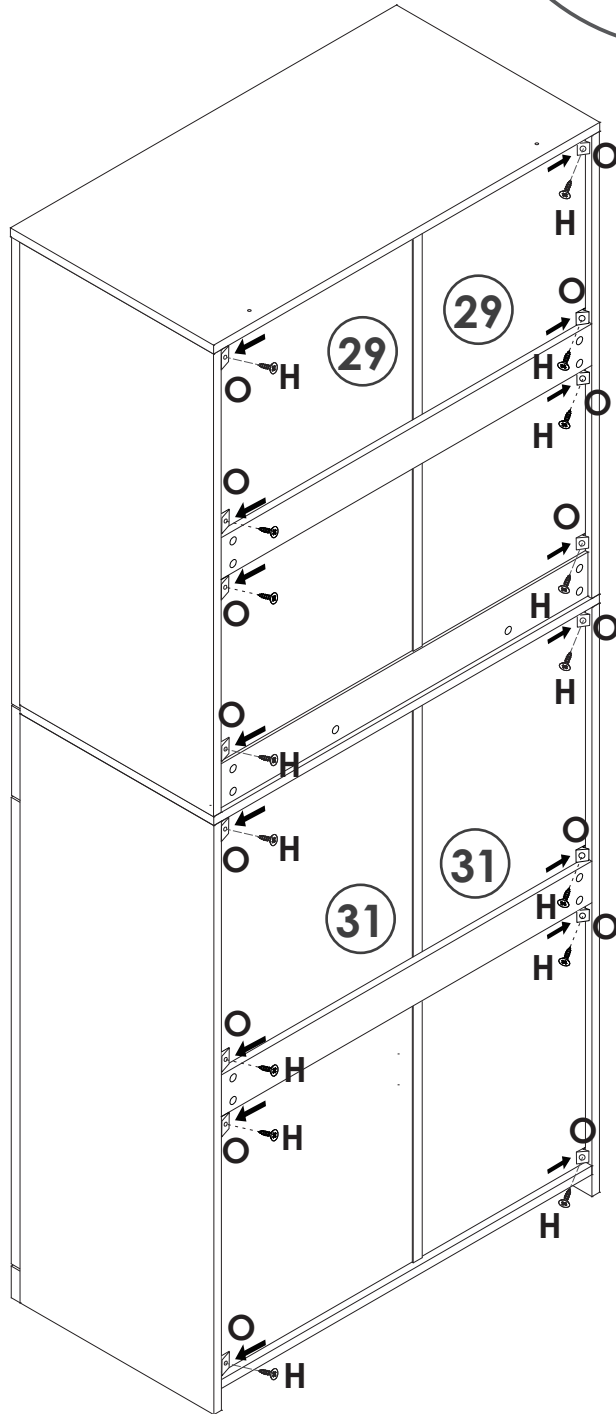
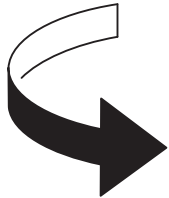
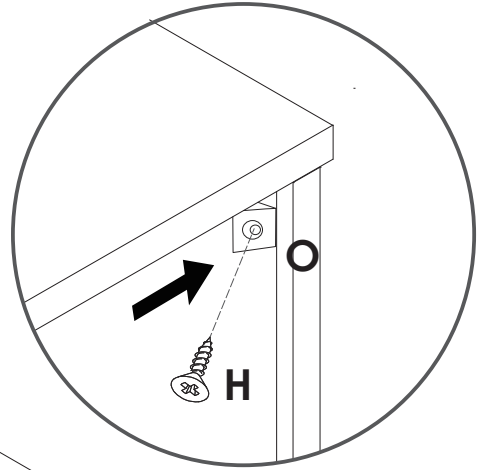


30

YOU WILL NEED

Hx16

Ox16



YOU WILL NEED

D x2

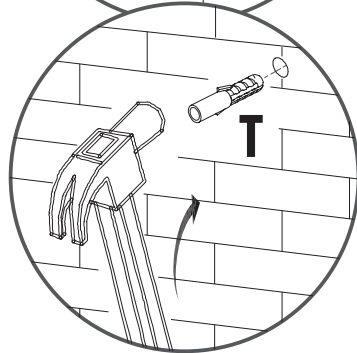
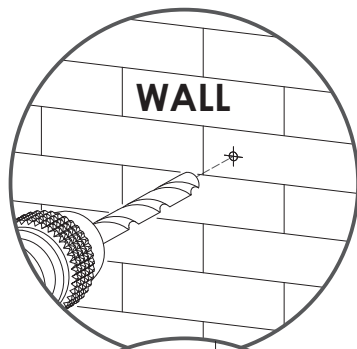
S x2

T x2

MANDATORY!

For safety reasons, we recommend you follow these instructions to install the anti-tipping hardware, when installed properly, this hardware may prevent the unit from tipping unexpectedly.

-WARNING -Serious injury can occur if furniture tips over. Place heavy items on lower shelved and as far back as possible.



WALL

