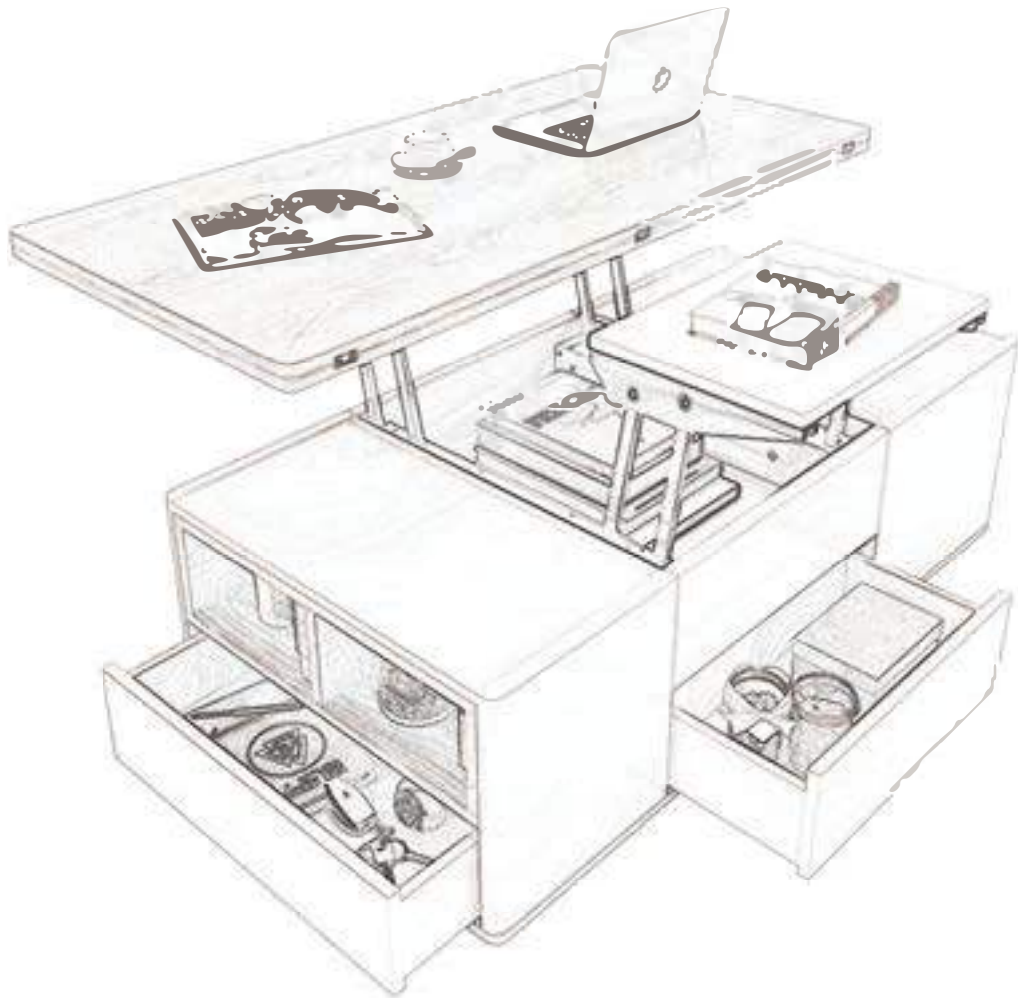


PRODUCT CARE HANDBOOK

a guide to protecting your product



I'm made from 100%
recycled paper



Coated with matte finish

Synthesize with varnish as main and matte agent as auxiliary

The board is coated with polymer emulsion

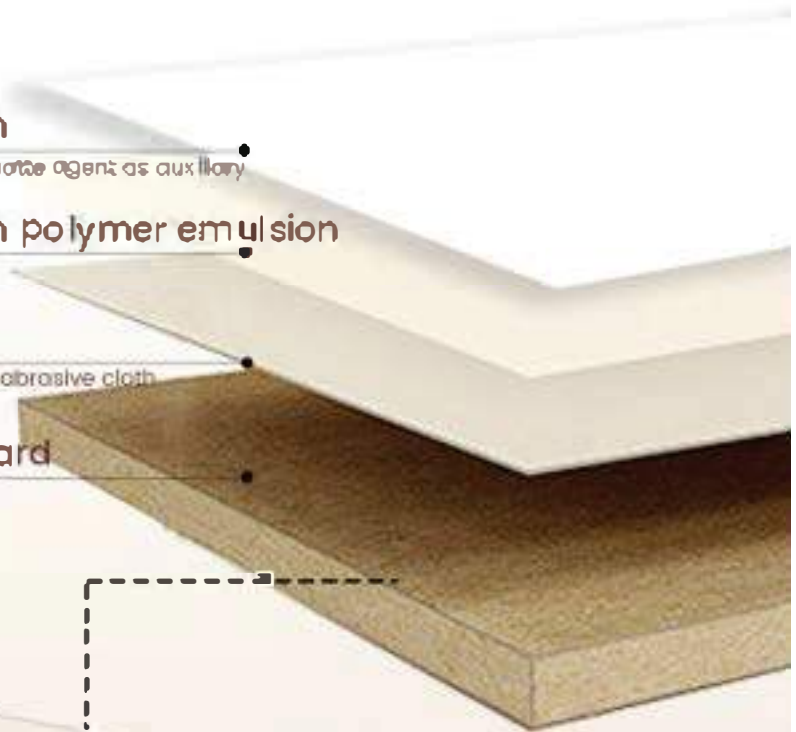
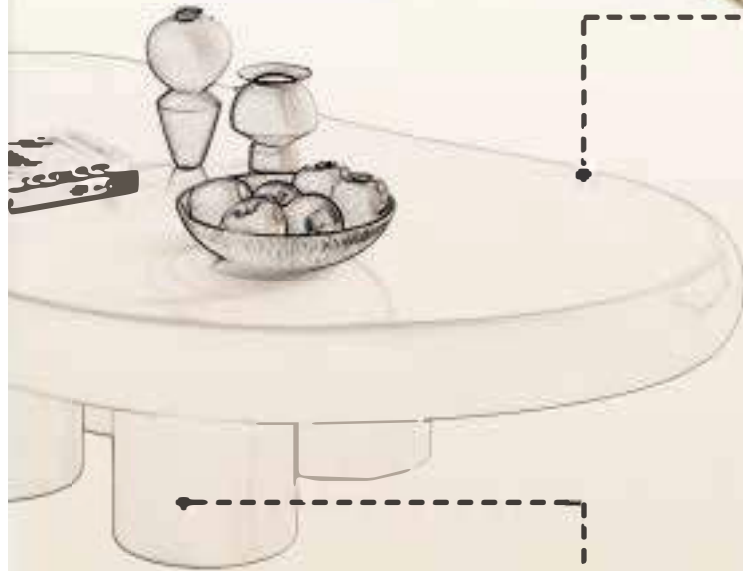
As a base coat finished for 6 times

Polishing undercoat

Polish with waterproof sandpaper and abrasive cloth

Medium density fiberboard

Not easy to deform or crack

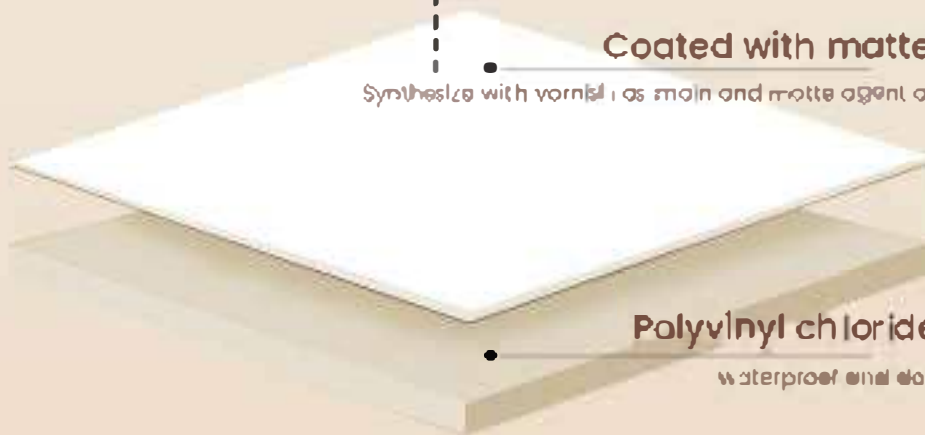


Coated with matte finish

Synthesize with varnish as main and matte agent as auxiliary

Polyvinyl chloride base

Waterproof and damp-proof



Thank you for purchasing this product. Please read these instructions fully before starting assembly, then follow the simple step by step guide.

TOP TIPS BEFORE YOU START!

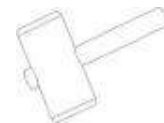
1. Please check that all parts & hardware are present before you start the assembly of your furniture. Do not destroy any of the packaging until you are certain that you have all the necessary parts for assembly.
2. For ease and speed of assembly, we recommend that before you commence each step of the assembly, please identify all the parts required for that step.
3. We recommend that where possible, all items are assembled near to the area in which they will be placed in use, to avoid moving the product unnecessarily once assembled.
4. For the protection of your furniture, particularly items of high gloss finish, we recommend that the product is placed on a protected surface during assembly to prevent any damage.
5. During assembly please take care not to over-tighten any fittings, as this may damage the product.
6. Keep children and animals away from the work area, small parts could cause choking if swallowed.

Tools Required For Assembly

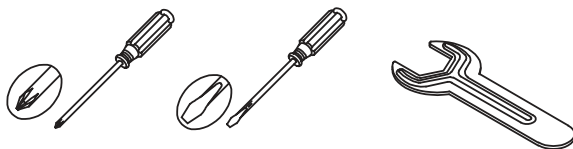


DO NOT USE POWER TOOLS TO ASSEMBLE THIS PRODUCT. USE OF POWER TOOLS WILL INVALIDATE ANY CLAIM AND MAY DAMAGE THIS PRODUCT MAKING IT UNSAFE.

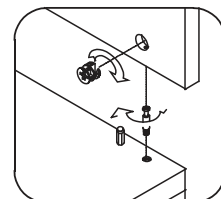
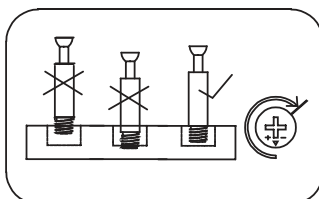
Rubber Hammer

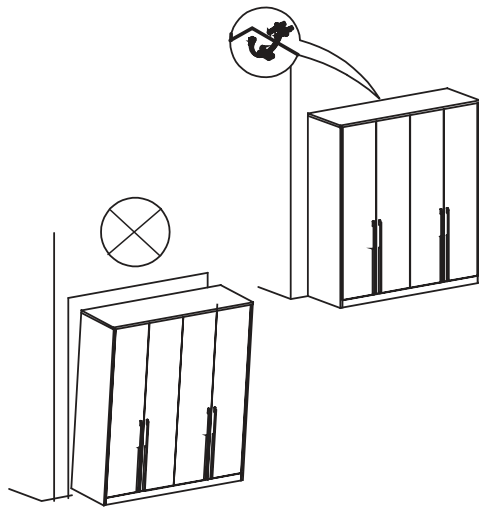


Self-provided general tool diagram:

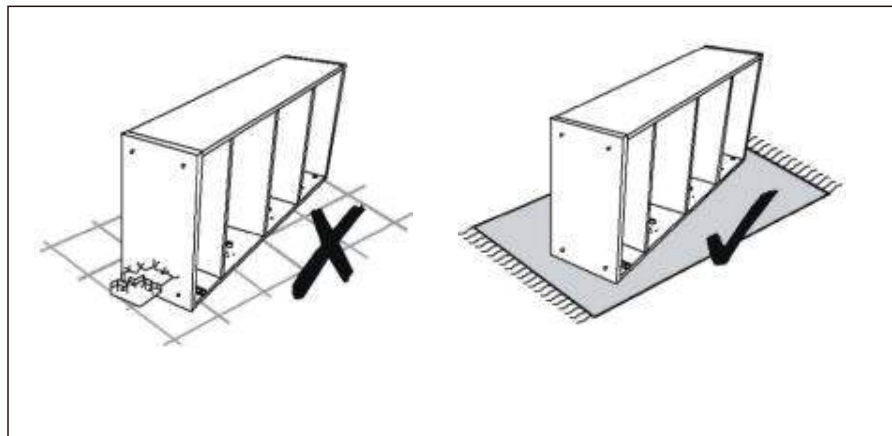
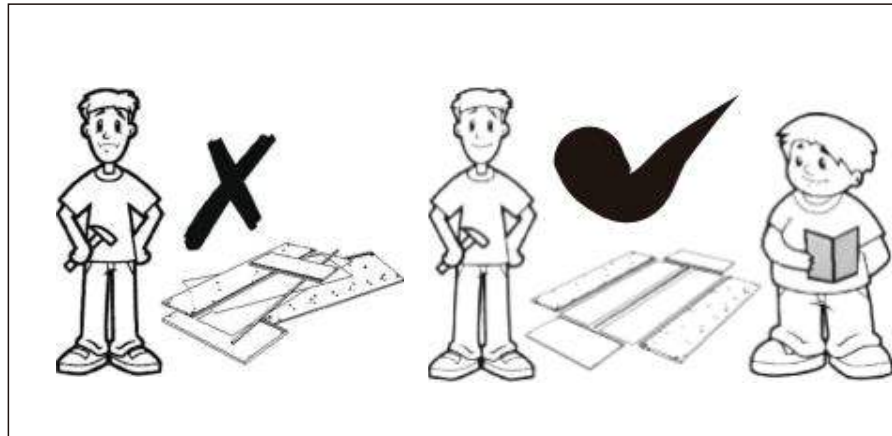


Tape Measure




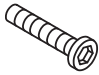







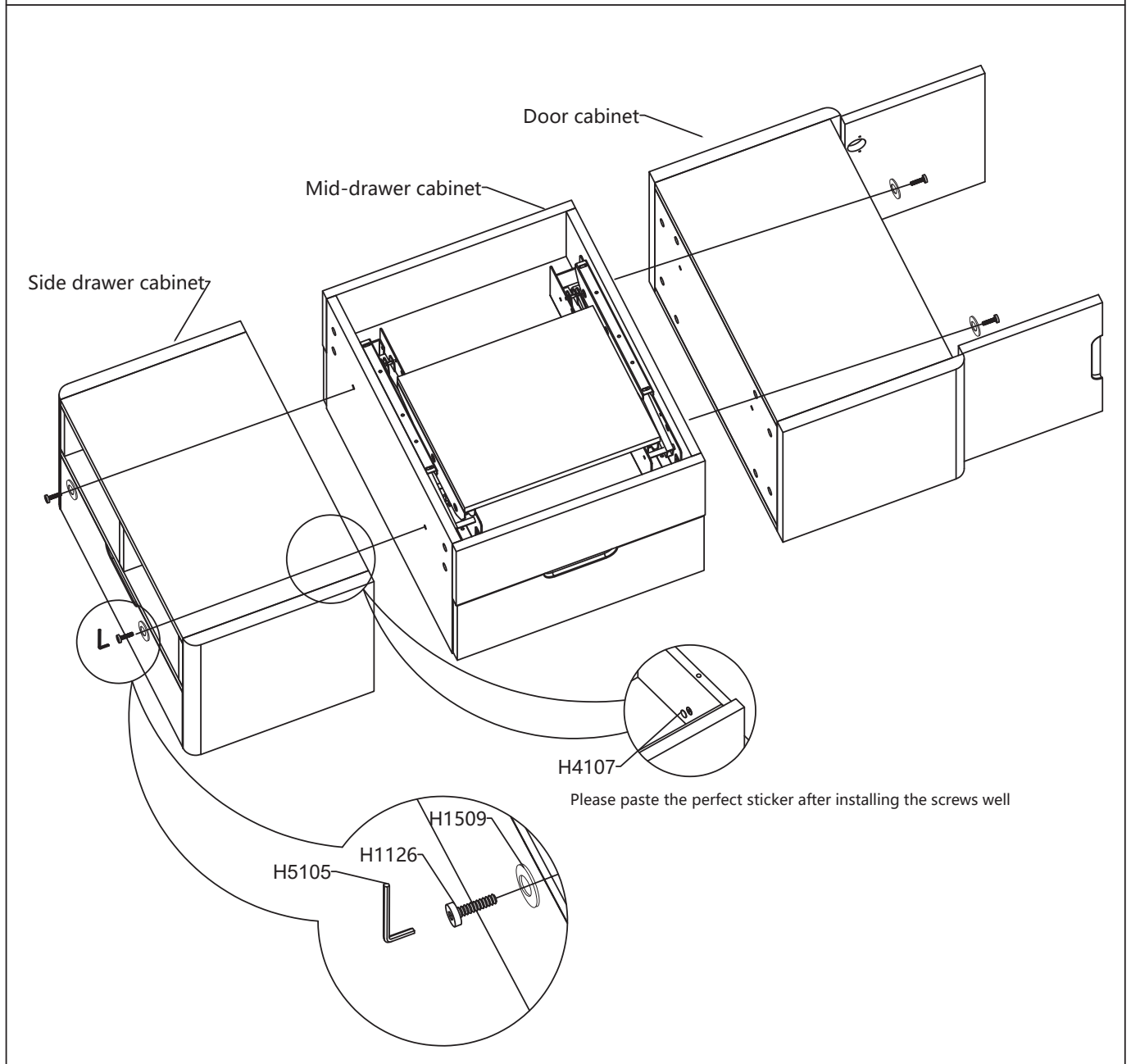
matters needing attention

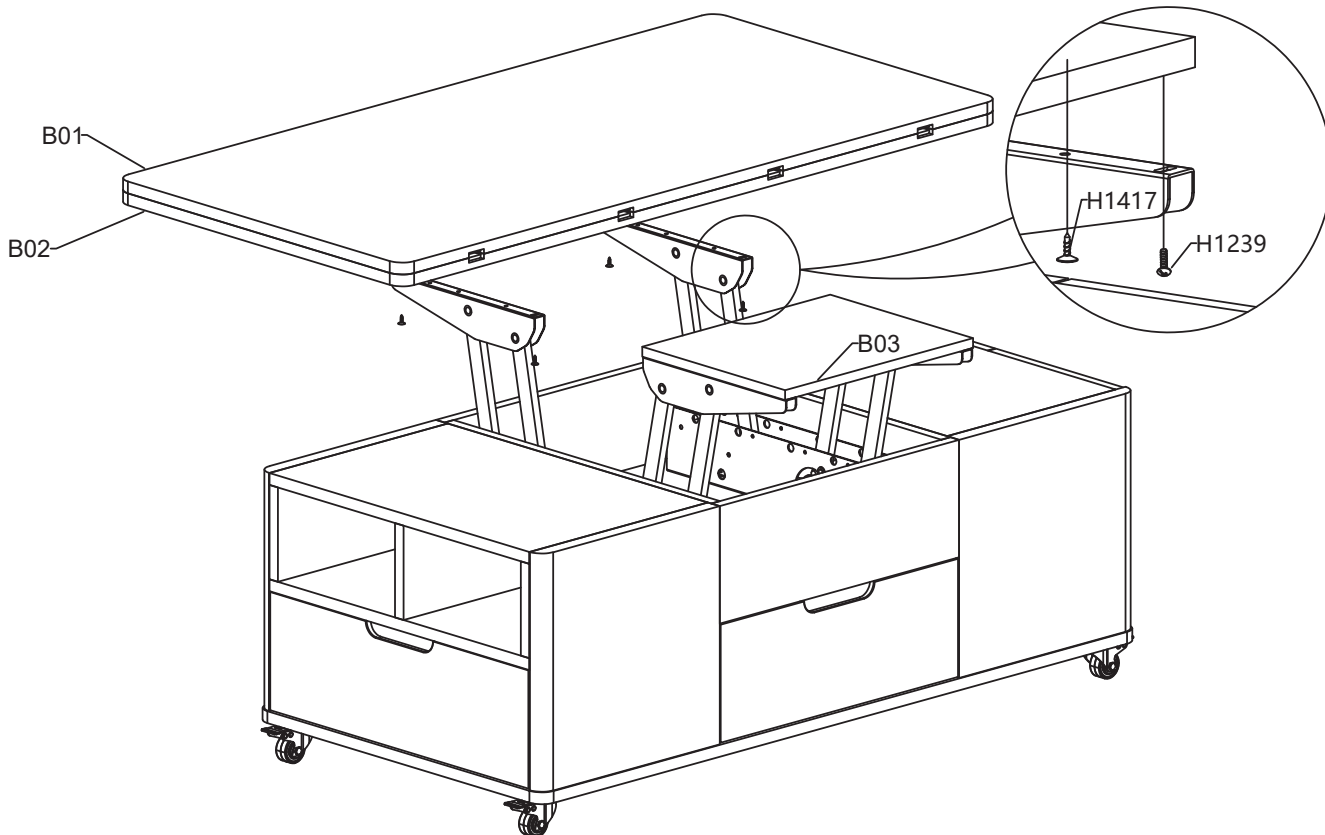
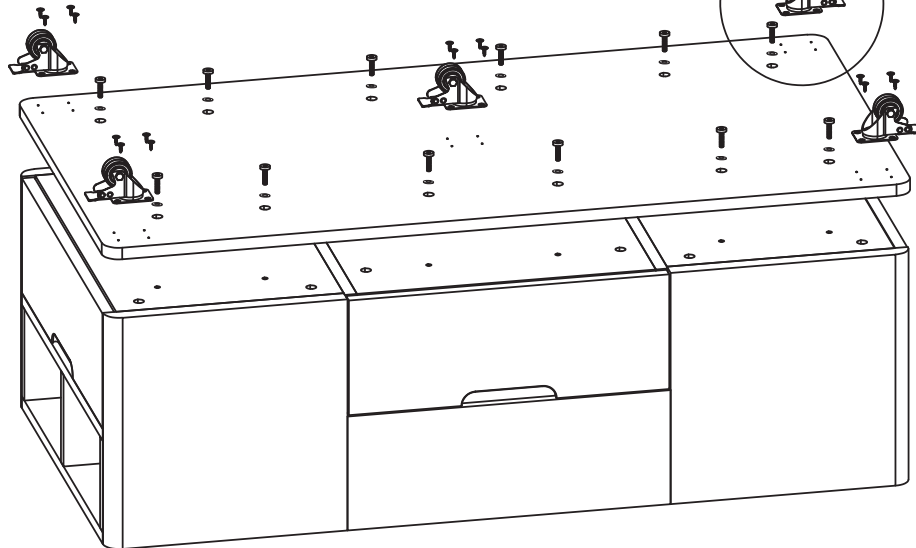
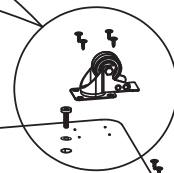
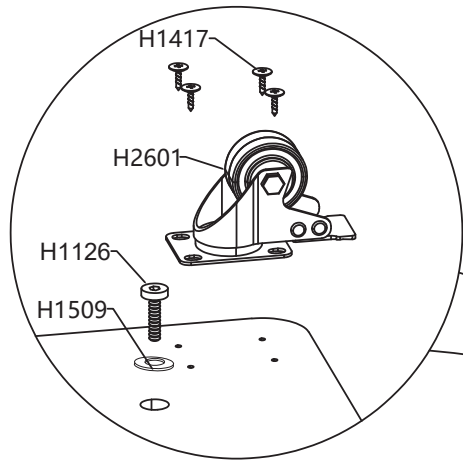


Installation Hardware List

<p>H1417</p>  <p>Self-tapping screw M5*14 32PCS</p>	<p>H2601</p>  <p>Universal wheel with brake 5PCS</p>	<p>H4107</p>  <p>Perfect sticker 4PCS</p>	<p>H1126</p>  <p>Inner screws M6*25 16PCS</p>	<p>H1509</p>  <p>Shim M6*16 16PCS</p>	<p>H5105</p>  <p>Allen wrench 1PC</p>
<p>H1239</p>  <p>Screw thread M4*14 16PCS</p>					

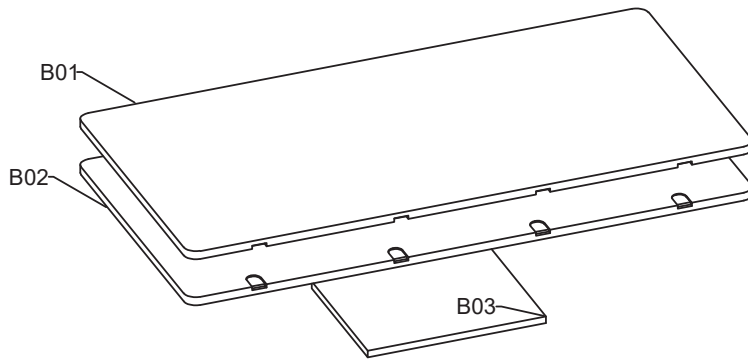
Installation Steps



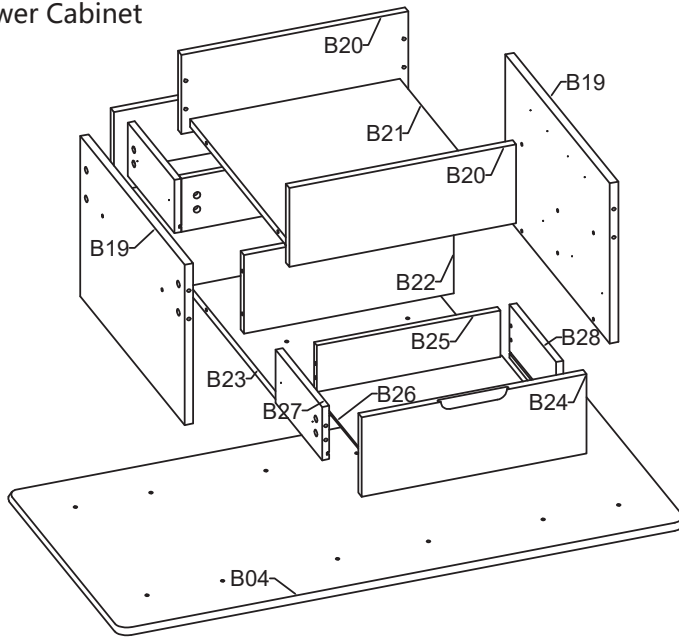


Repair Panel List

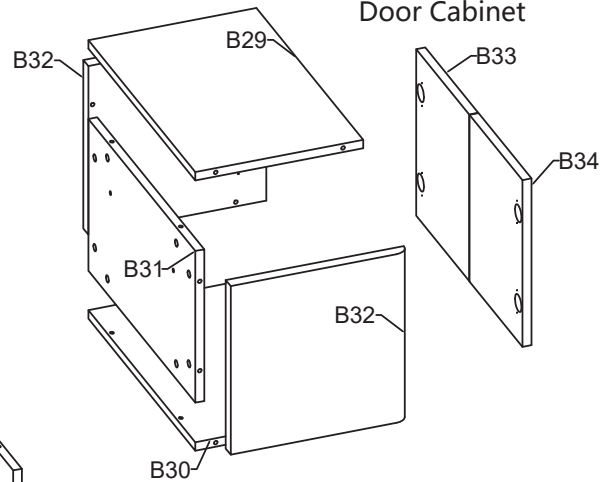
Panels Comparison List	
B01*1 upper panel	B18*3 R-side panel
B02*1 lower panel	B19*2 R&L side panel
B03*1 small panel	B20*2 baffles
B04*1 big base	B21*1 laminate
B05*1 top panel	B22*1 vertical boards
B06*1 bottom panel	B23*1 bottom panel
B07*1 left panel	B24*2 drawer front
B08*1 right panel	B25*2 back panel
B09*1 back panel	B26*2 bottom panel
B10*1 small laminate	B27*3 L-side panel
B11*1 large laminate	B28*3 R-side panel
B12*2 vertical boards	B29*1 top panel
B13*1 vertical boards	B30*1 bottom panel
B14*1 Side panel	B31*1 back panel
B15*1 back panel	B32*2 R&L side panel
B16*1 bottom panel	B33*1 L-side panel
B17*3 L-side panel	B34*1 R-side panel



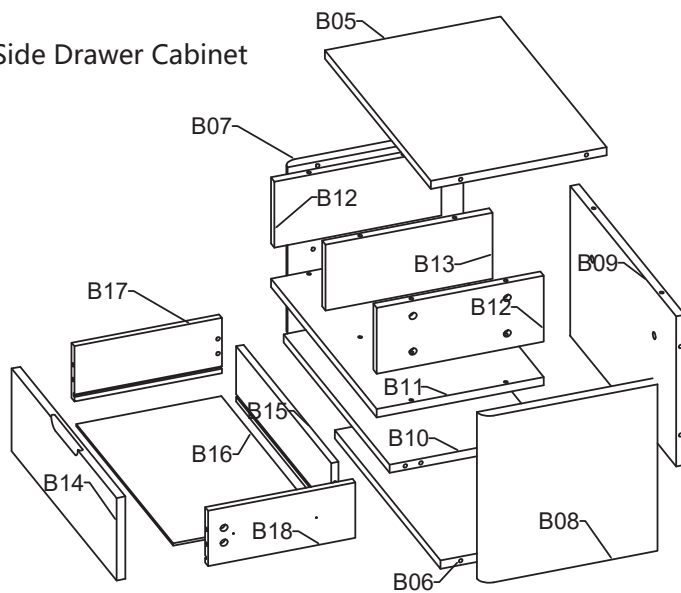
Mid-drawer Cabinet



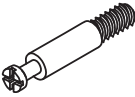

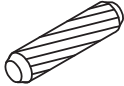










Door Cabinet



Side Drawer Cabinet



Maintenance Hardware List

<p>H1101</p>  <p>Three-in-one pole ' 6*40 98PCS</p>	<p>H1201</p>  <p>Eccentric wheel ' 14.5*11.5 98PCS</p>	<p>H1113</p>  <p>Round tenon ' 8*40 8PCS</p>	<p>H1301</p>  <p>Plastic header 98PCS</p>	<p>H4107</p>  <p>Perfect sticker 40PCS</p>
<p>H2203</p>  <p>Large bend damping hinge 4PCS</p>	<p>H2211</p>  <p>Flap hinge 4PCS</p>	<p>H1443</p>  <p>Self-tapping screw M3.5*14 72PCS</p>	<p>H1450</p>  <p>Self-tapping screw M3.5*12 26PCS</p>	<p>H6004</p>  <p>450 Lifting frame 1PCS</p>
<p>H2114</p>  <p>15-inch three-fold slide rail 1PCS</p>	<p>HB0009</p>  <p>13-inch three-fold slide rail 2PCS</p>	<p>H1317</p>  <p>Insert nuts M6*15 16PCS</p>		