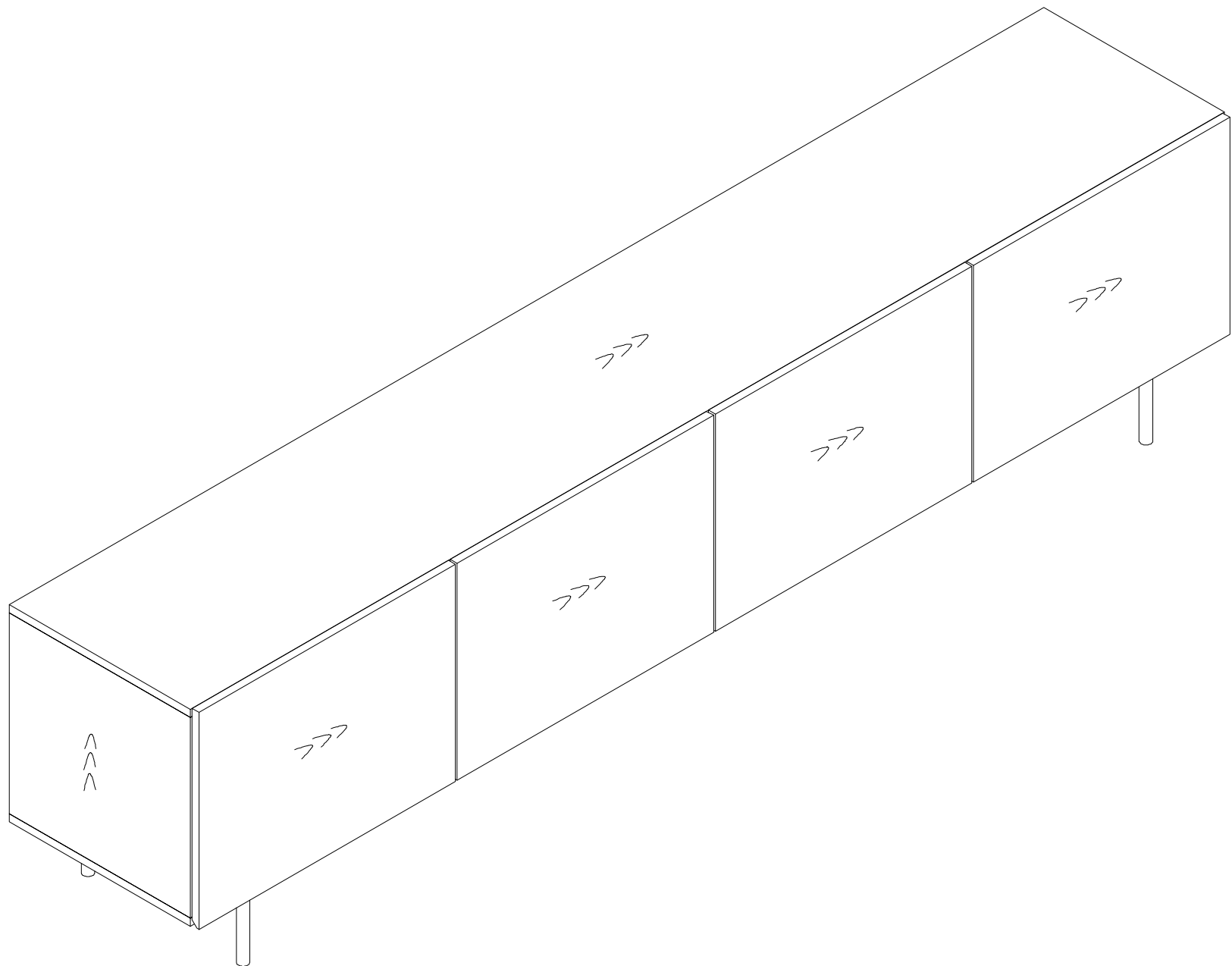


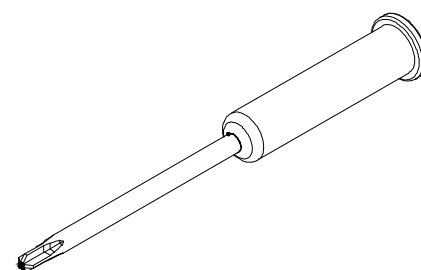
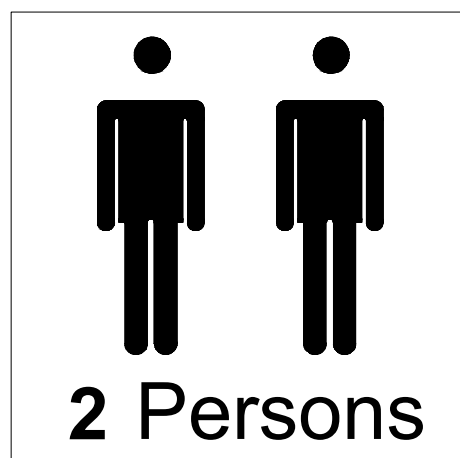
# Installation

## *Product Manual*

SKU: DS02-0042-GJ2



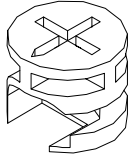
### Tools

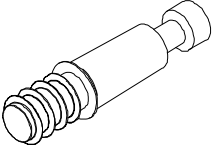


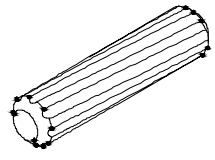
Cross Screwdriver

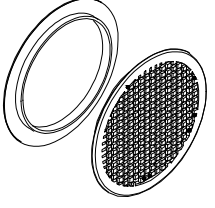
If you have any questions or concerns, please contact us:  
[Kevencindyyy@outlook.com](mailto:Kevencindyyy@outlook.com)

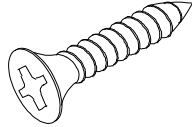
# Hardware list

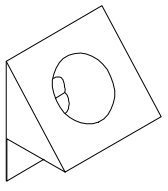
<b>A</b>	28 PCS
	
Ø15*12mm	

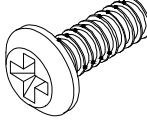
<b>B</b>	28 PCS
	
Ø6*25mm	

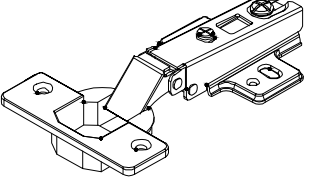
<b>C</b>	28 PCS
	
Ø8*30mm	

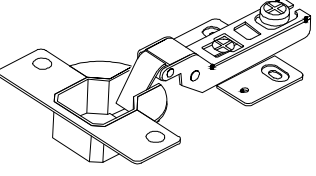
<b>D</b>	4 PCS
	
Ø60	

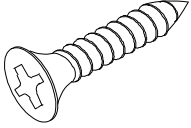
<b>E</b>	20 PCS
	
M3.5*14	

<b>F</b>	12 PCS
	
12*10mm	

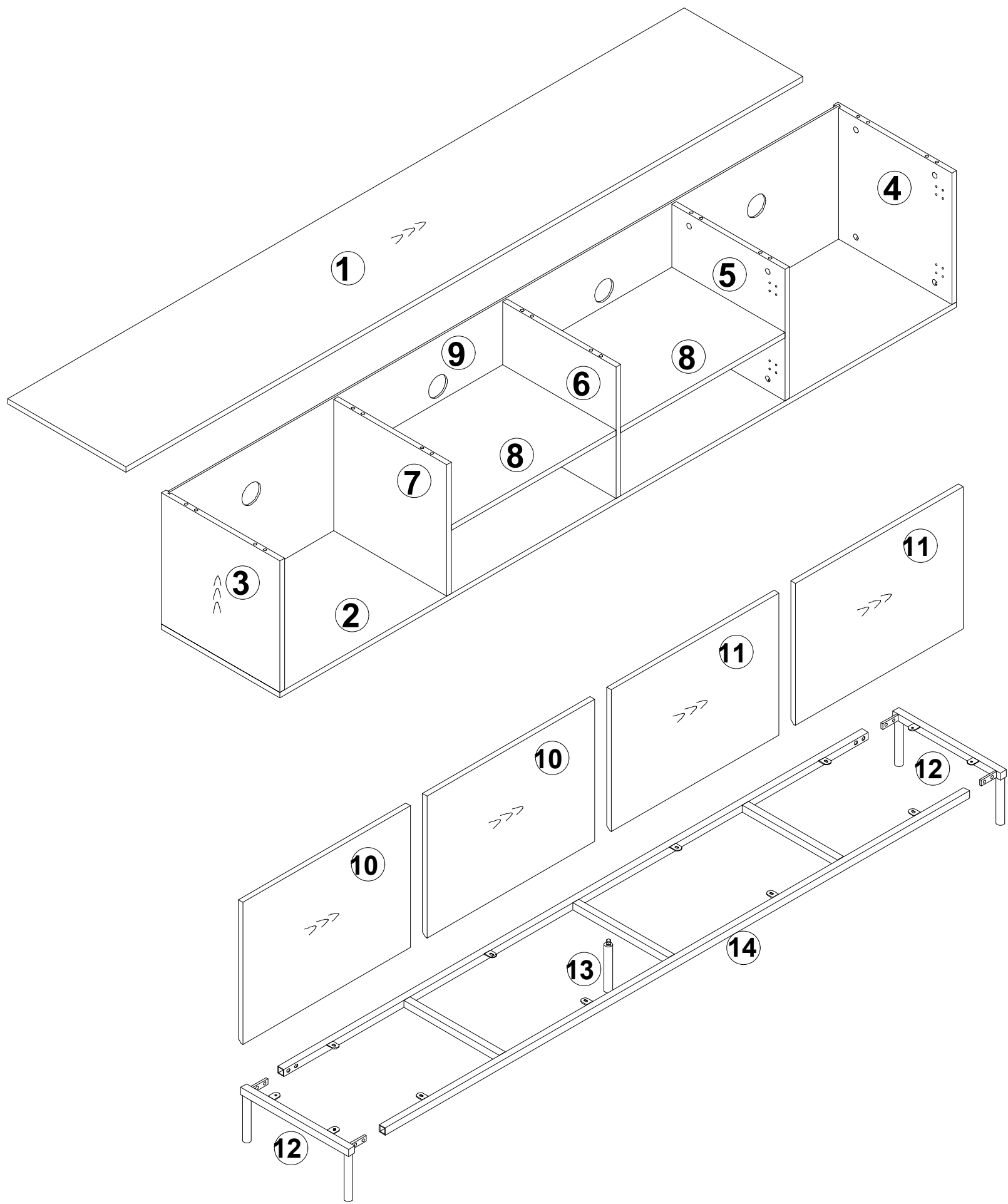
<b>G</b>	12 PCS
	
M6*12	

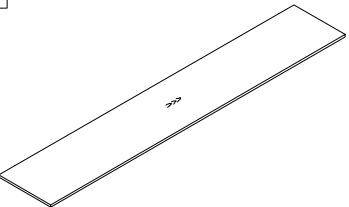
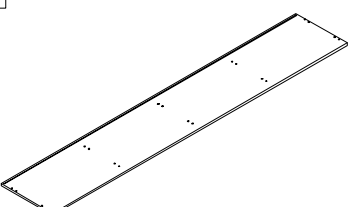
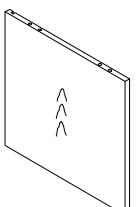
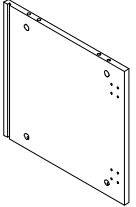
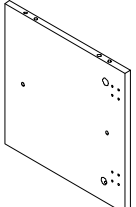
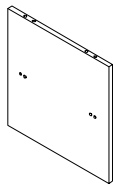
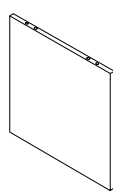
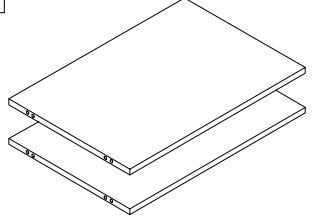
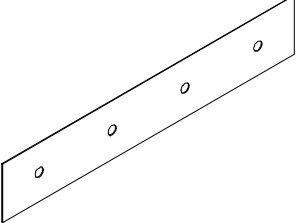
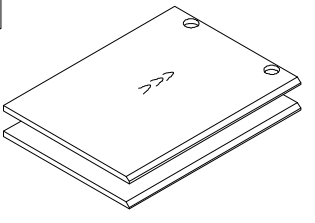
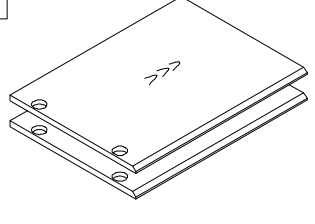
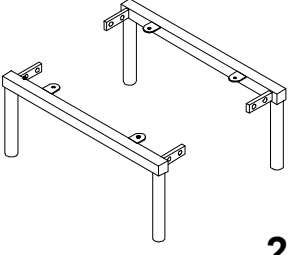
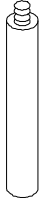
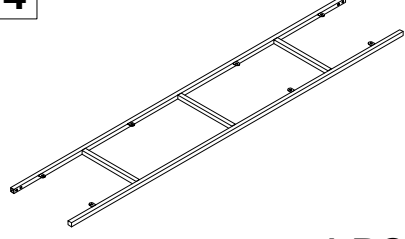
<b>H</b>	4 PCS
	
Ø35/90°	

<b>I</b>	4 PCS
	
Ø35/90°	

<b>J</b>	48 PCS
	
M4*14	

<b>K</b>	Spare Parts		
<b>A*2</b>	<b>B*2</b>	<b>C*2</b>	<b>J*2</b>
<b>E*4</b>	<b>F*2</b>	<b>G*2</b>	



<b>1</b>  1 PC	<b>2</b>  1 PC	<b>3</b>  1 PC	<b>4</b>  1 PC	<b>5</b>  1 PC
<b>6</b>  1 PC	<b>7</b>  1 PC	<b>8</b>  2 PC	<b>9</b>  1 PC	<b>10</b>  2 PC
<b>11</b>  2 PC	<b>12</b>  2 PC	<b>13</b>  1 PC	<b>14</b>  1 PC	Tip: The 13th is in the accessory bag  <b>0042-2</b> <b>page 3</b>

# Matters Need Attention

If you have any questions or concerns, please contact us:  
Kevencindyyy@outlook.com

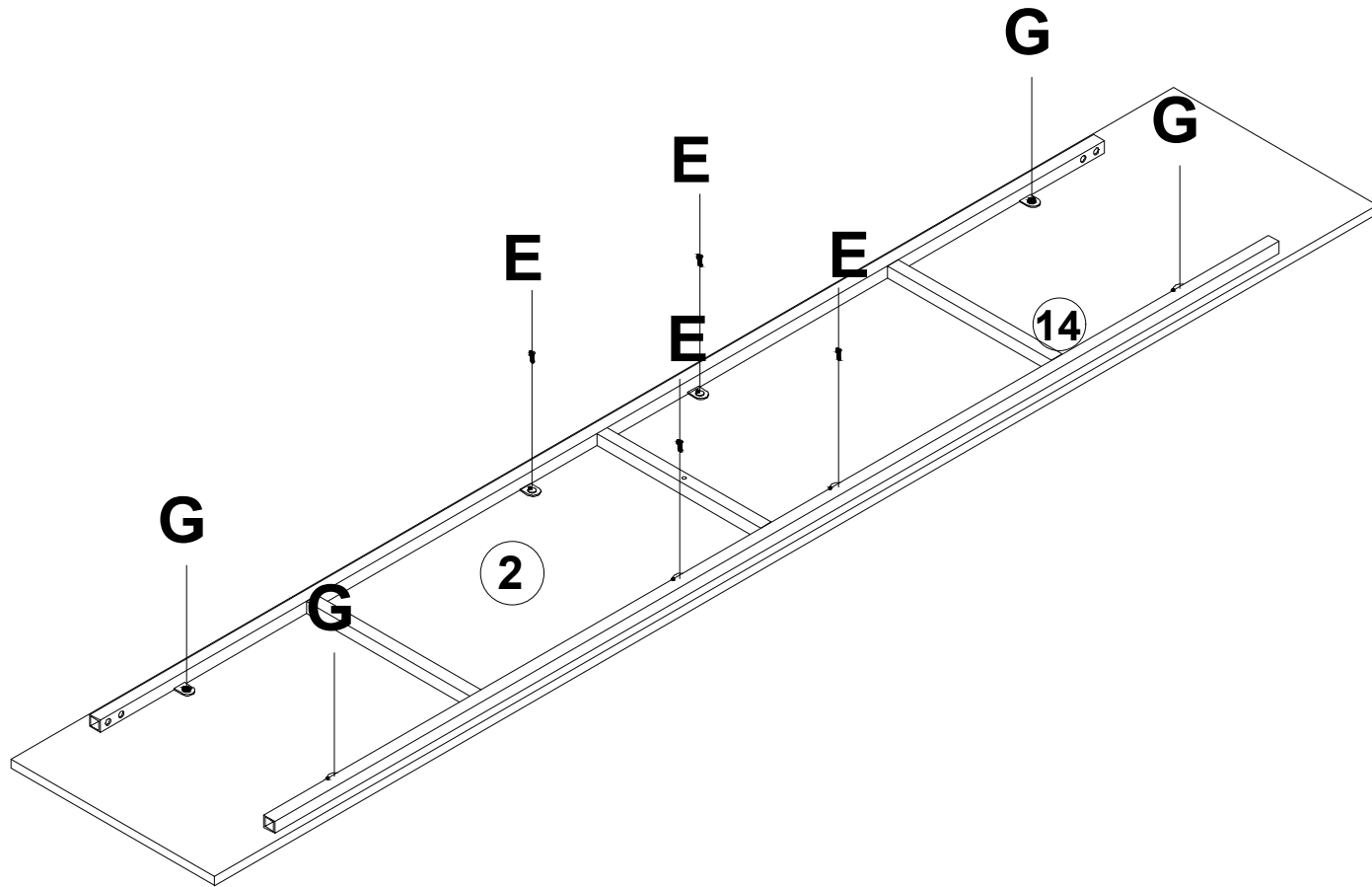
## During Installation



1. Do not discard packing material until assembly is complete, as small parts may loosen inside the carton during shipping. If there is a missing part, please contact our after-sales team.
2. Please assemble this item on soft surfaces such as carpets to protect the finish.
3. Pay attention to stability when assembling to avoid falling or scratching.

## Cleaning and Maintenance

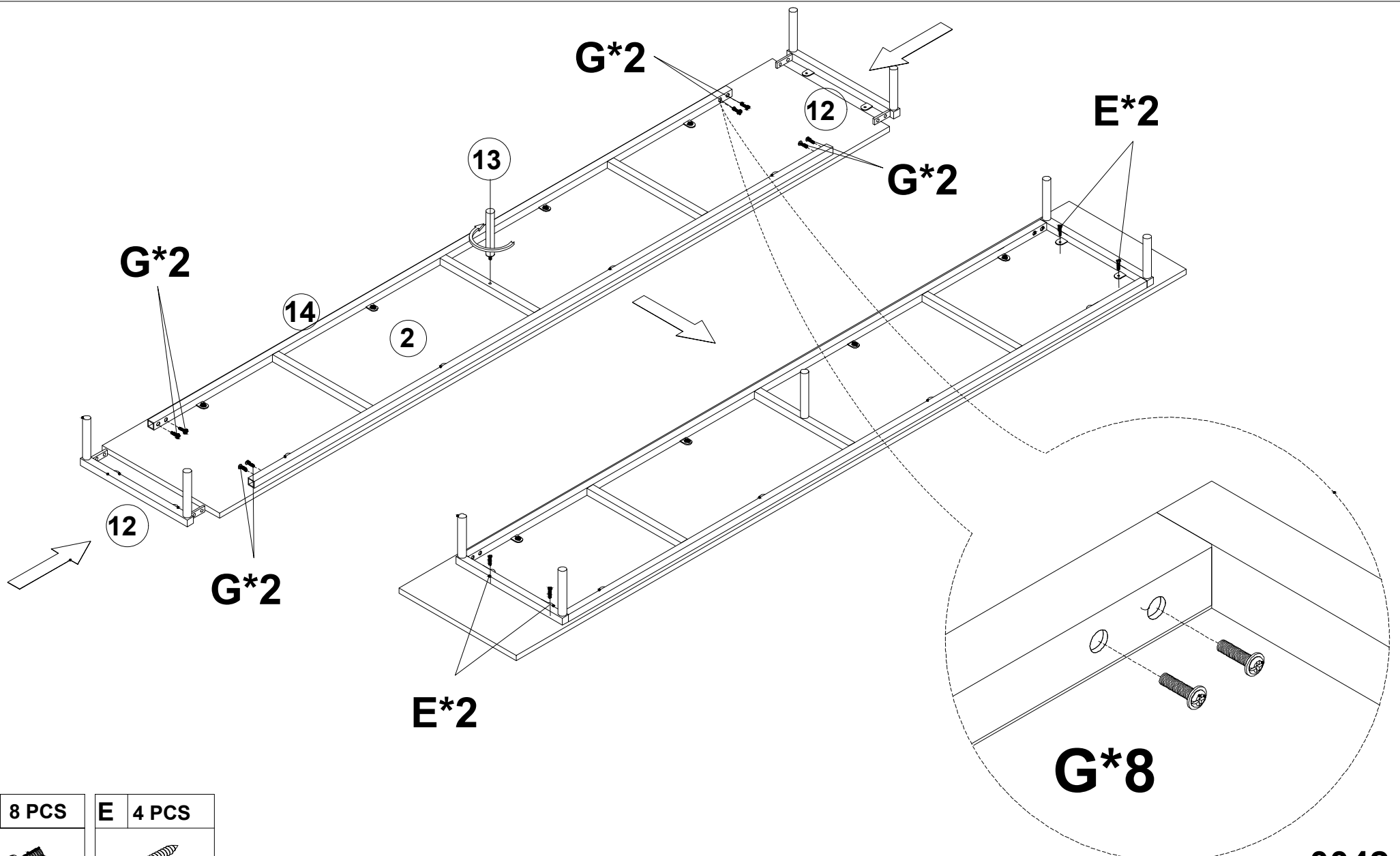
1. To protect the finish, avoid chemicals and household cleaners.
2. Keep away from the heat source to prolong the service life.
3. Wipe off any remaining liquid on the surface with a damp cloth.



**Step 1** Install part 14 onto board 2 and secure it with accessories G and E



<b>E</b> 4 PCS	<b>G</b> 4 PCS
	
M3.5*14	M6*12

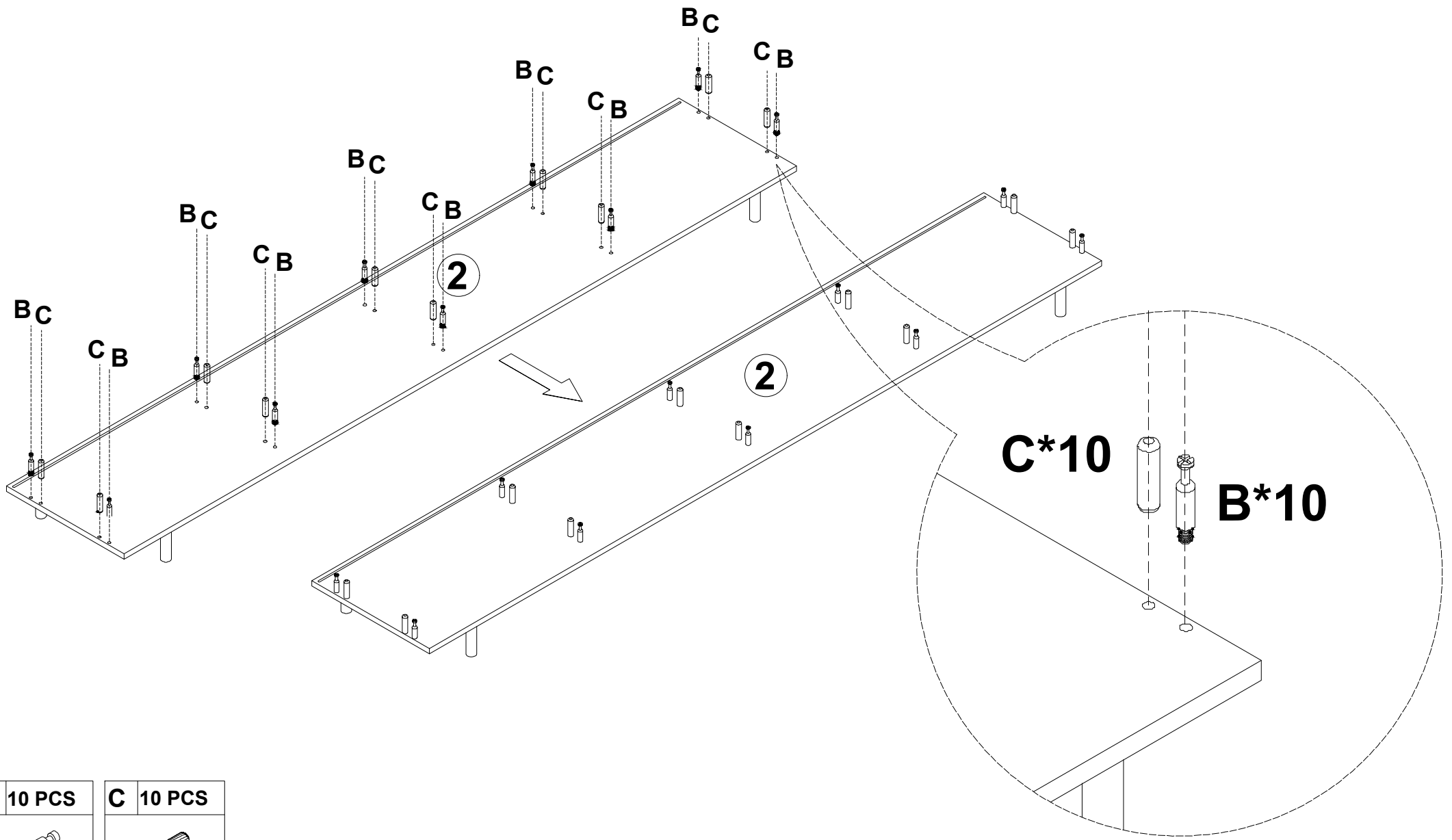
**Step 2** Install part 13 onto part 14. Then connect part 12 to part 14 and install the assembly onto board 2. Secure it with accessories G and E

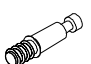
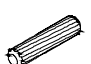


<b>G</b> 8 PCS	<b>E</b> 4 PCS
	
M6*12	M3.5*14

Step 3

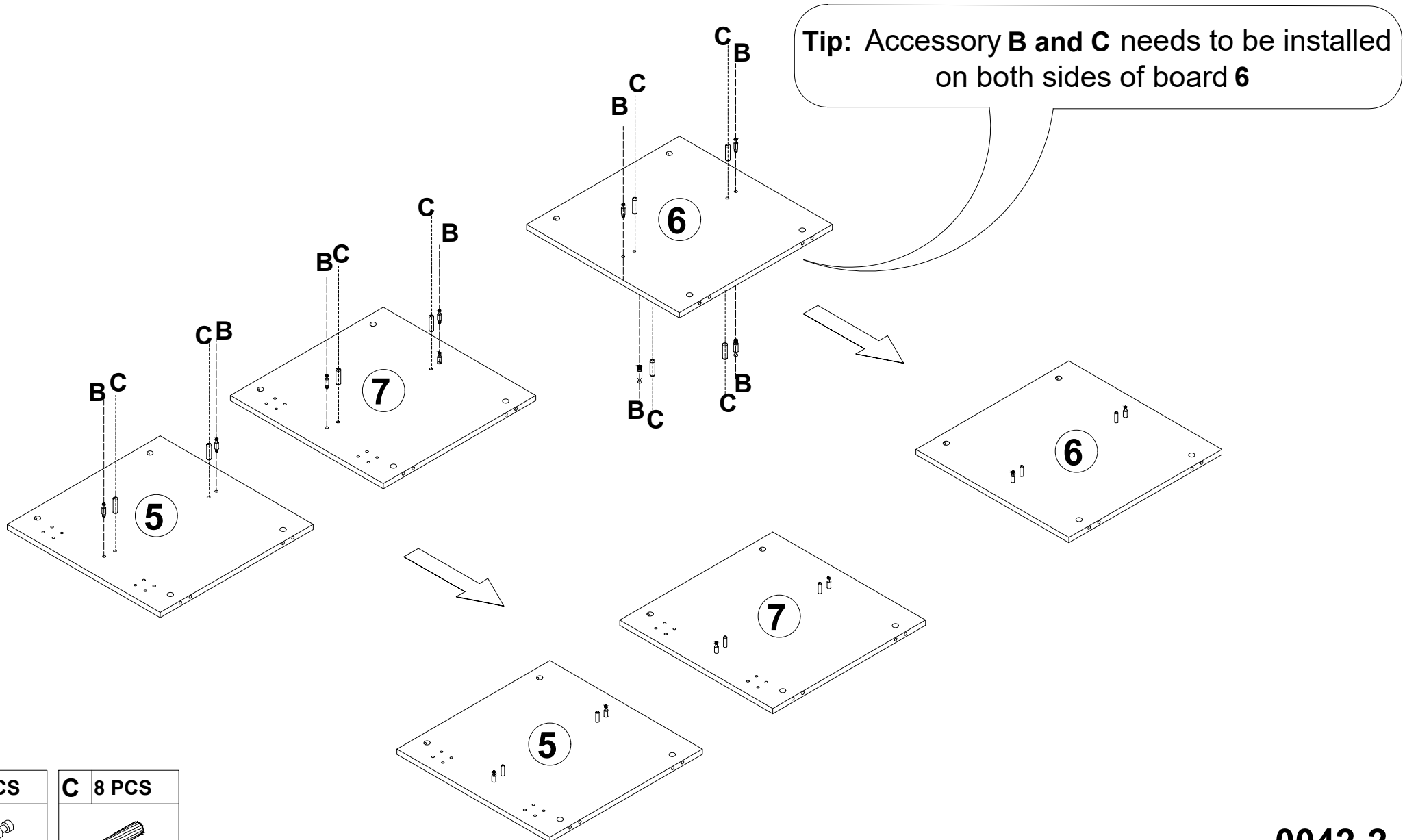
Install accessories **B** and **C** on board **2**

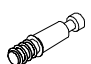
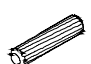


<b>B</b> 10 PCS	<b>C</b> 10 PCS
	
Ø6*25mm	Ø8*30mm

Step 4

Install accessory B,C onto Boards 5, 6, and 7



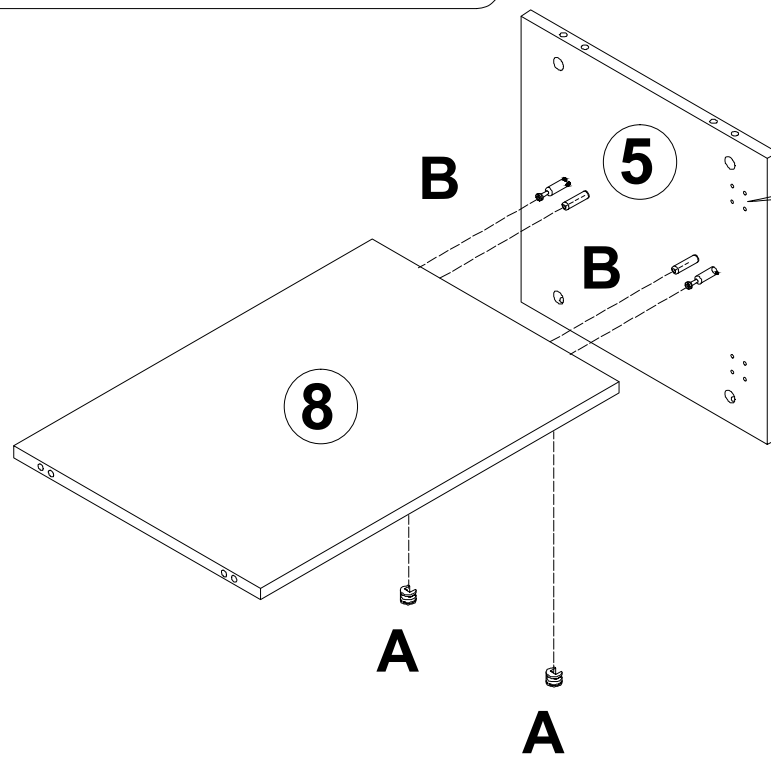
<b>B</b> 8 PCS	<b>C</b> 8 PCS
	
Ø6*25mm	Ø8*30mm


**Step 5**

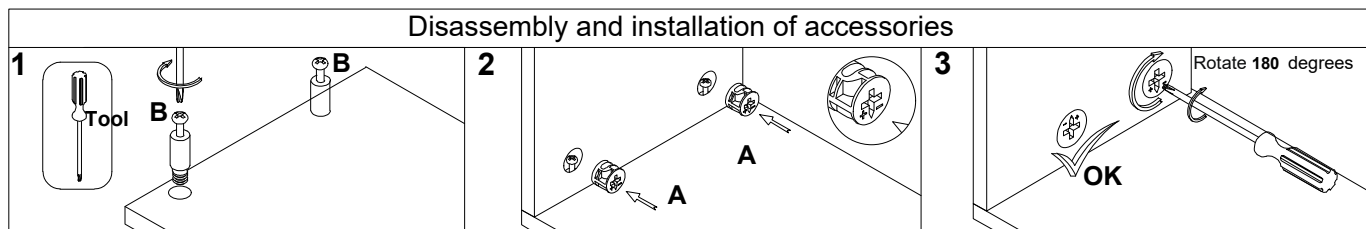
Take one board 8, install board 8 onto board 5, and secure it with accessory A

**Important:** Please assemble boards 5, 6, 7, and 8 in the order shown in the instructions. Installing them out of sequence may cause hole misalignment and improper assembly

**Tip:** There is a hole for installing the cabinet door here, which should be installed facing forward



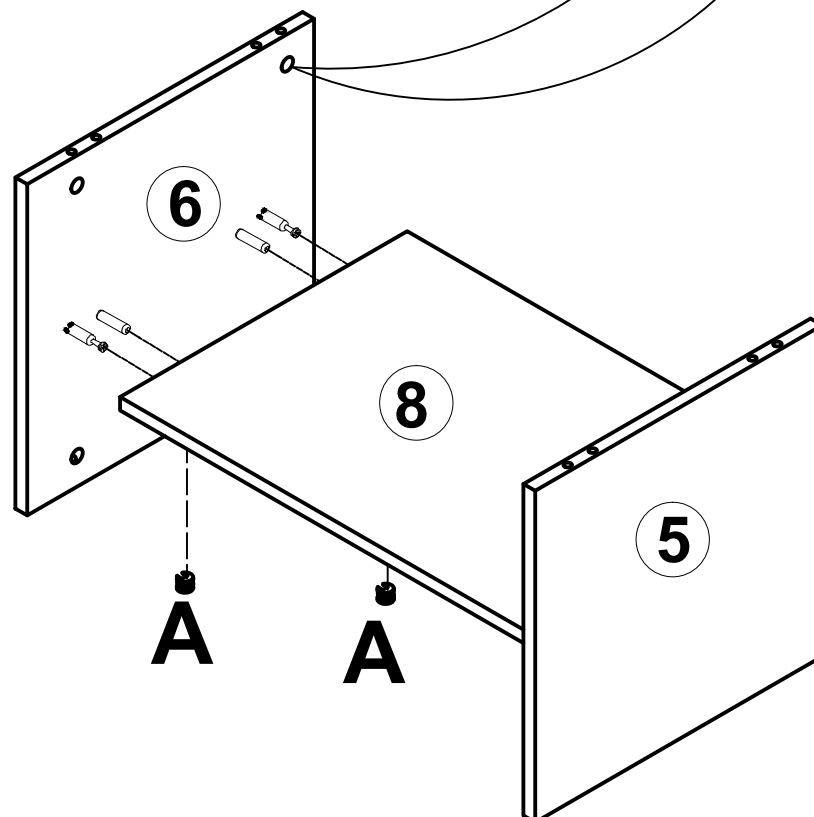
<b>A</b>	<b>2 PCS</b>
	
$\text{Ø}15 \times 12\text{mm}$	




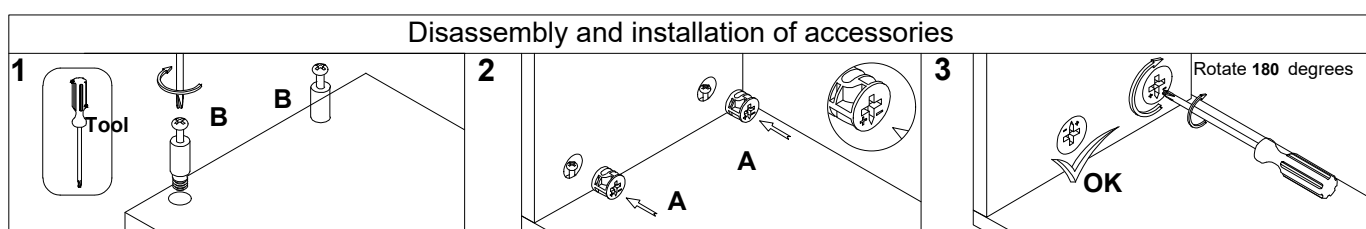
**Step 6**

Install board 6 onto board 8 and secure it with accessory A

**Tip:** This side of Board 6 has four such holes. Install this side facing Board 5; otherwise, Board 6 cannot be installed onto Board 2



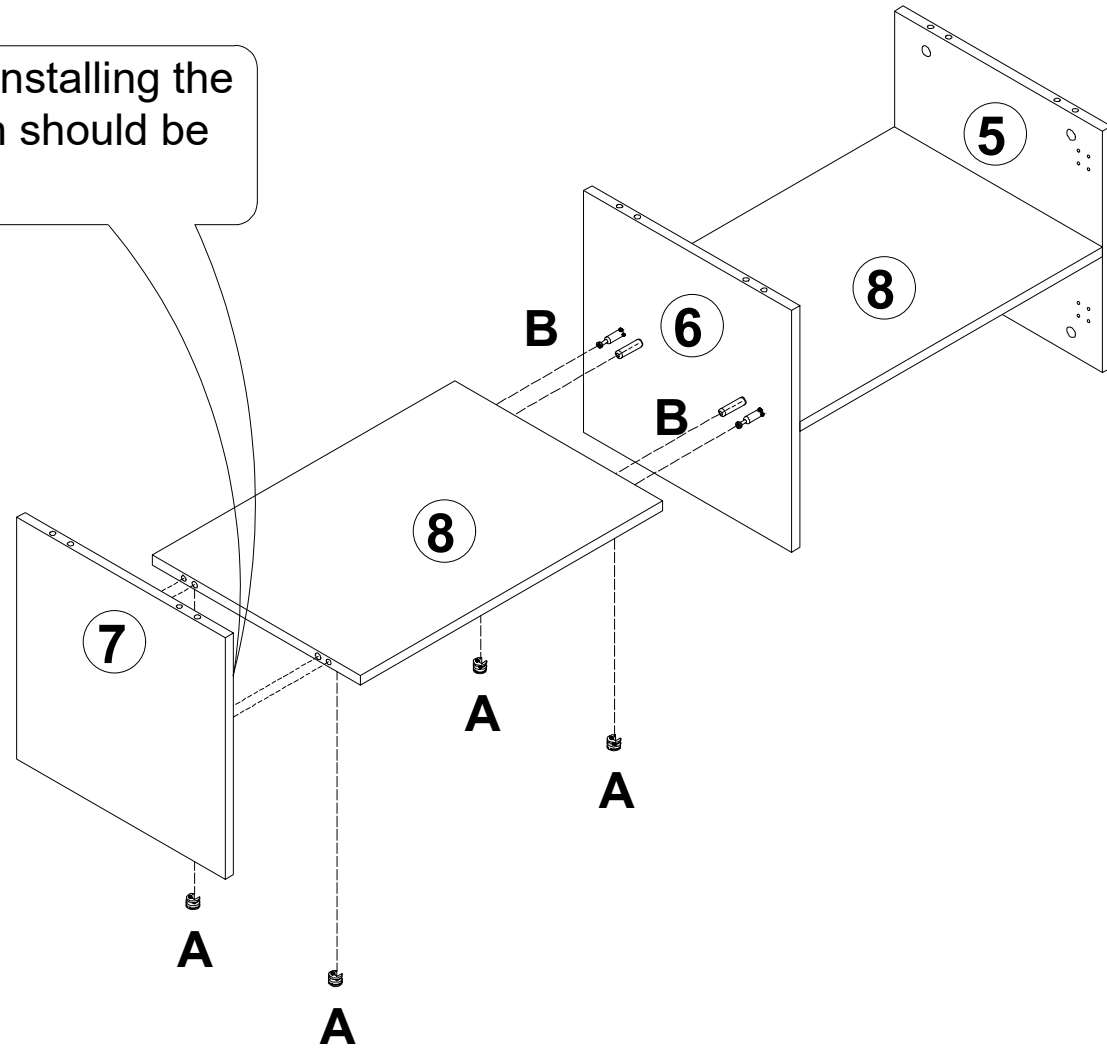
<b>A</b>	<b>2 PCS</b>
	
$\text{Ø}15 \times 12\text{mm}$	




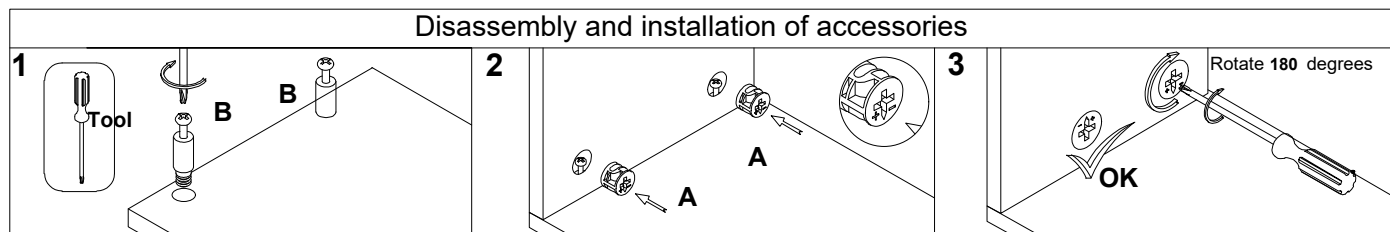
Step 7

Install board 8 onto board 6, then install board 7 onto board 8. Secure with accessory A

Tip: There is a hole for installing the cabinet door here, which should be installed facing forward

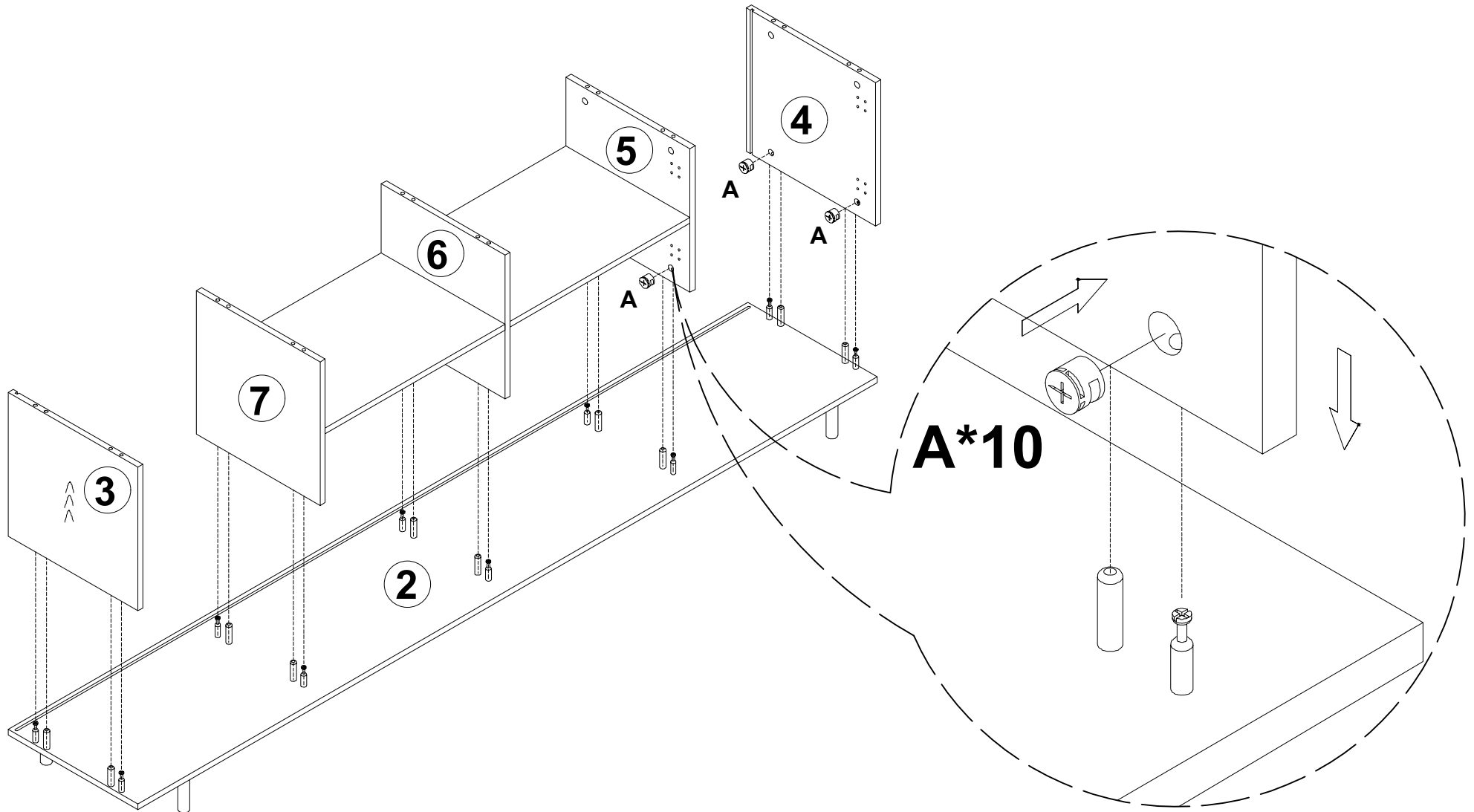



<b>A</b> 4 PCS

Ø15*12mm

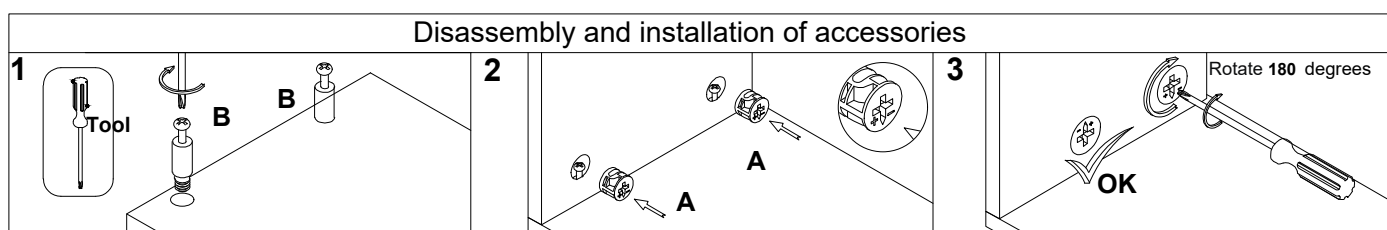


Step 8

Install boards 3, 4, 5, 6 and 7 onto board 2 and secure them with accessory A

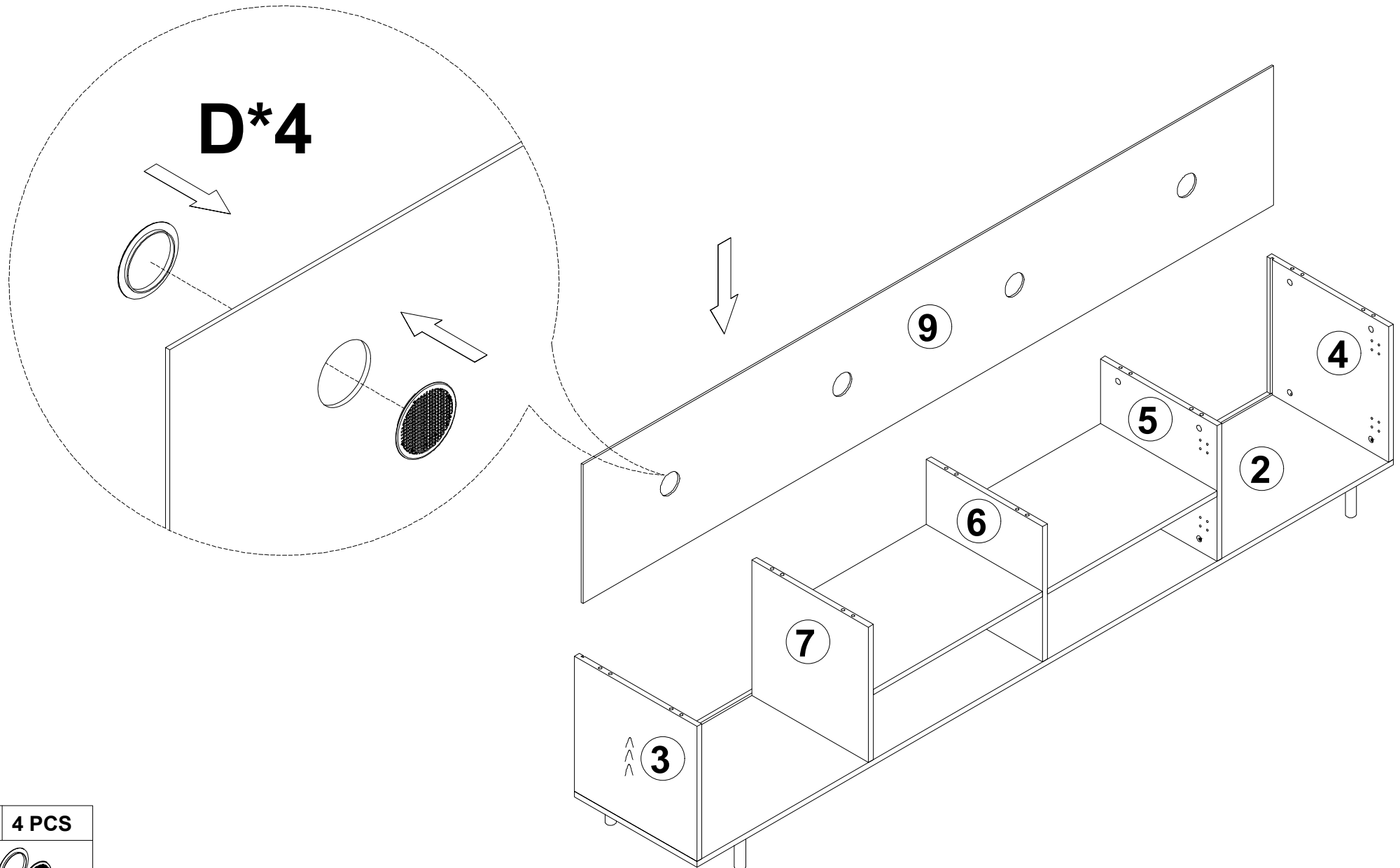


<b>A</b> 10 PCS

Ø15*12mm



**Step 9**

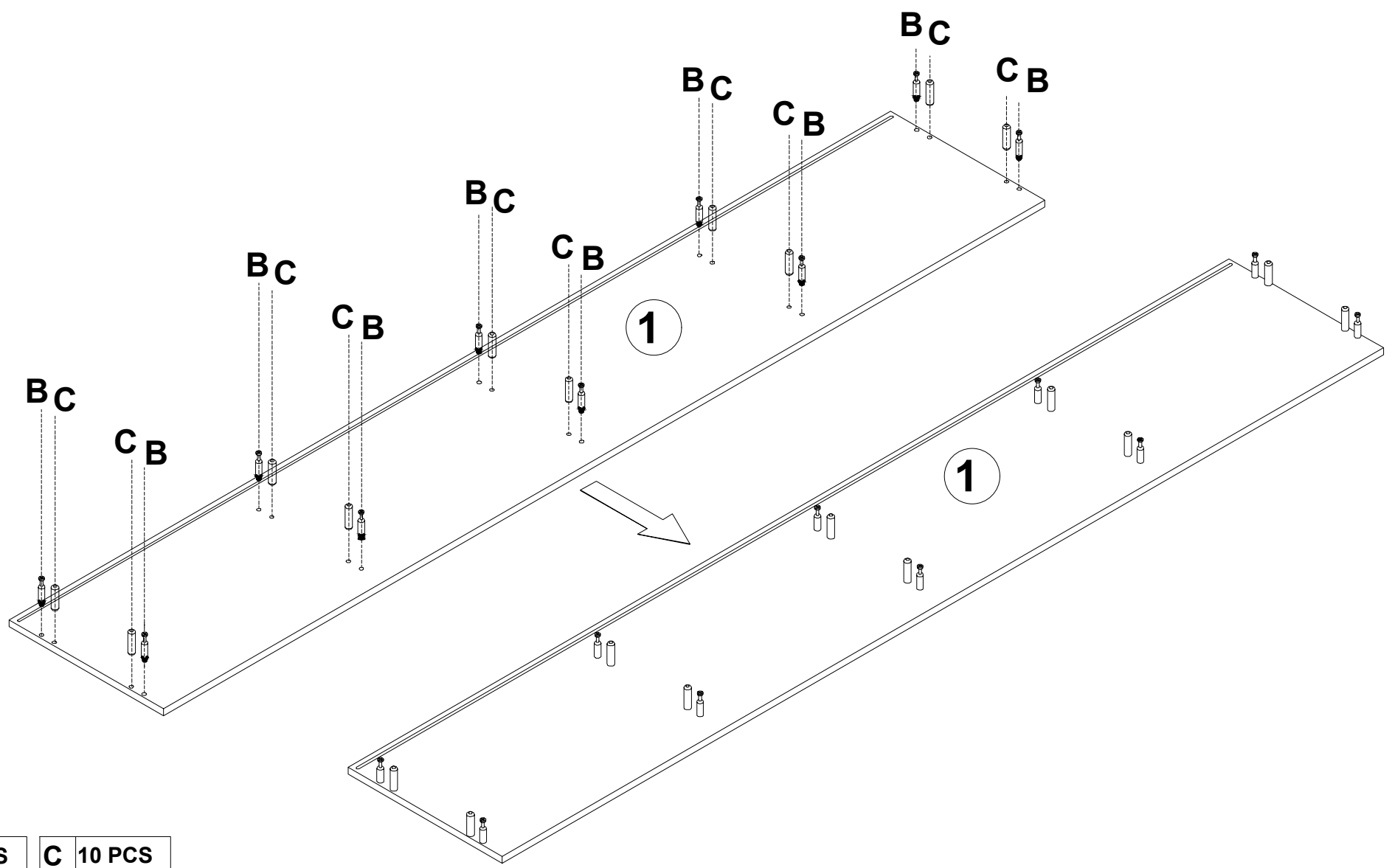
First, install accessory **D** on board **9**, and then install board **9** into the groove



<b>D</b>	4 PCS
Ø60	

**Step 10**

Install accessories **B** and **C** on board **1**

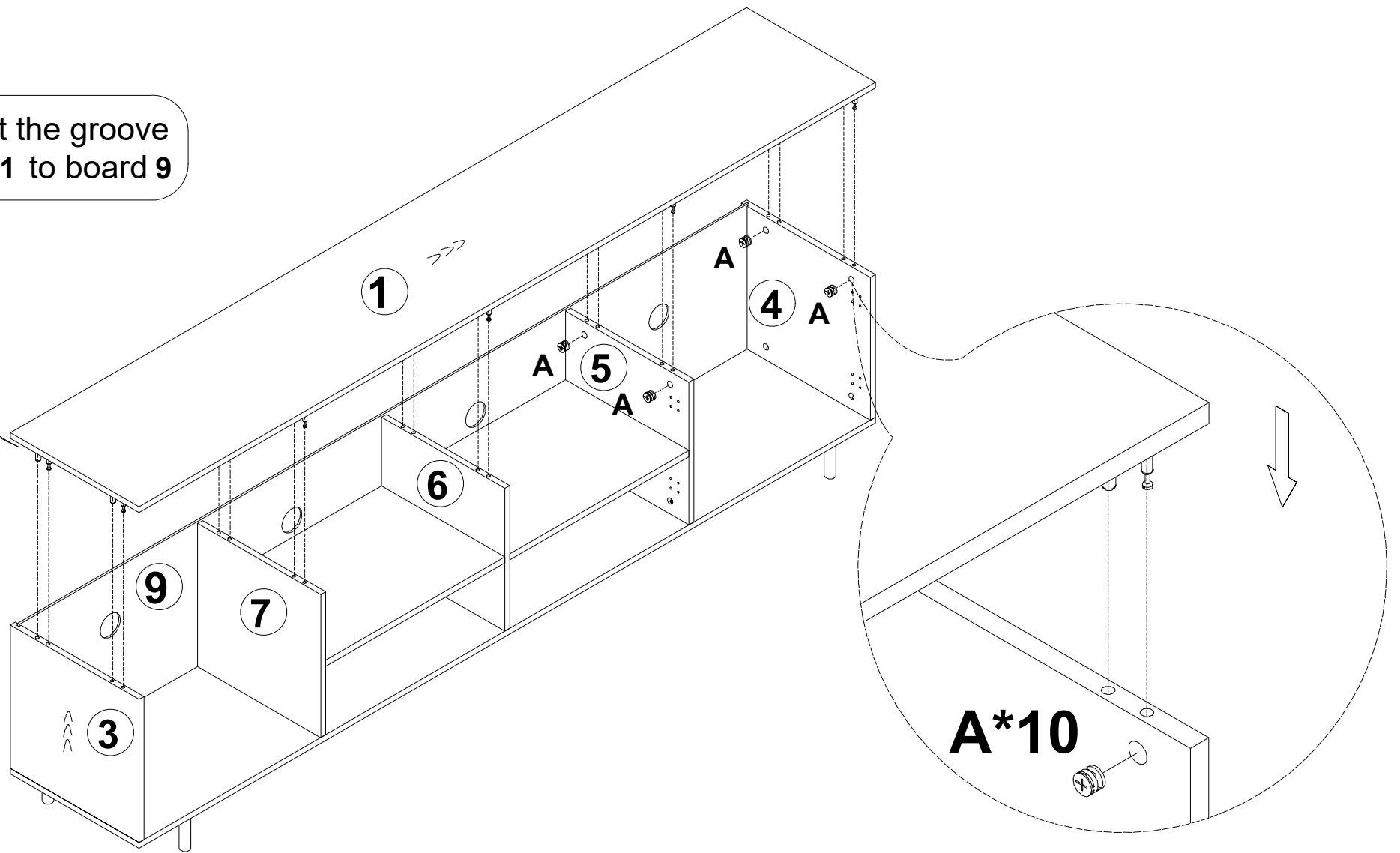


<b>B</b>	10 PCS	<b>C</b>	10 PCS
Ø6*25mm		Ø8*30mm	

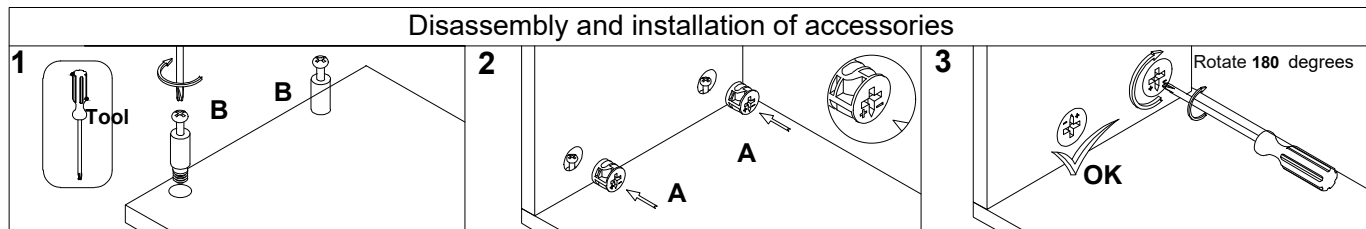
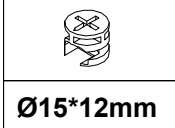
**Step 11**

**Install board 1 first, then fix it with accessory A**

**Tip:** Connect the groove of board 1 to board 9

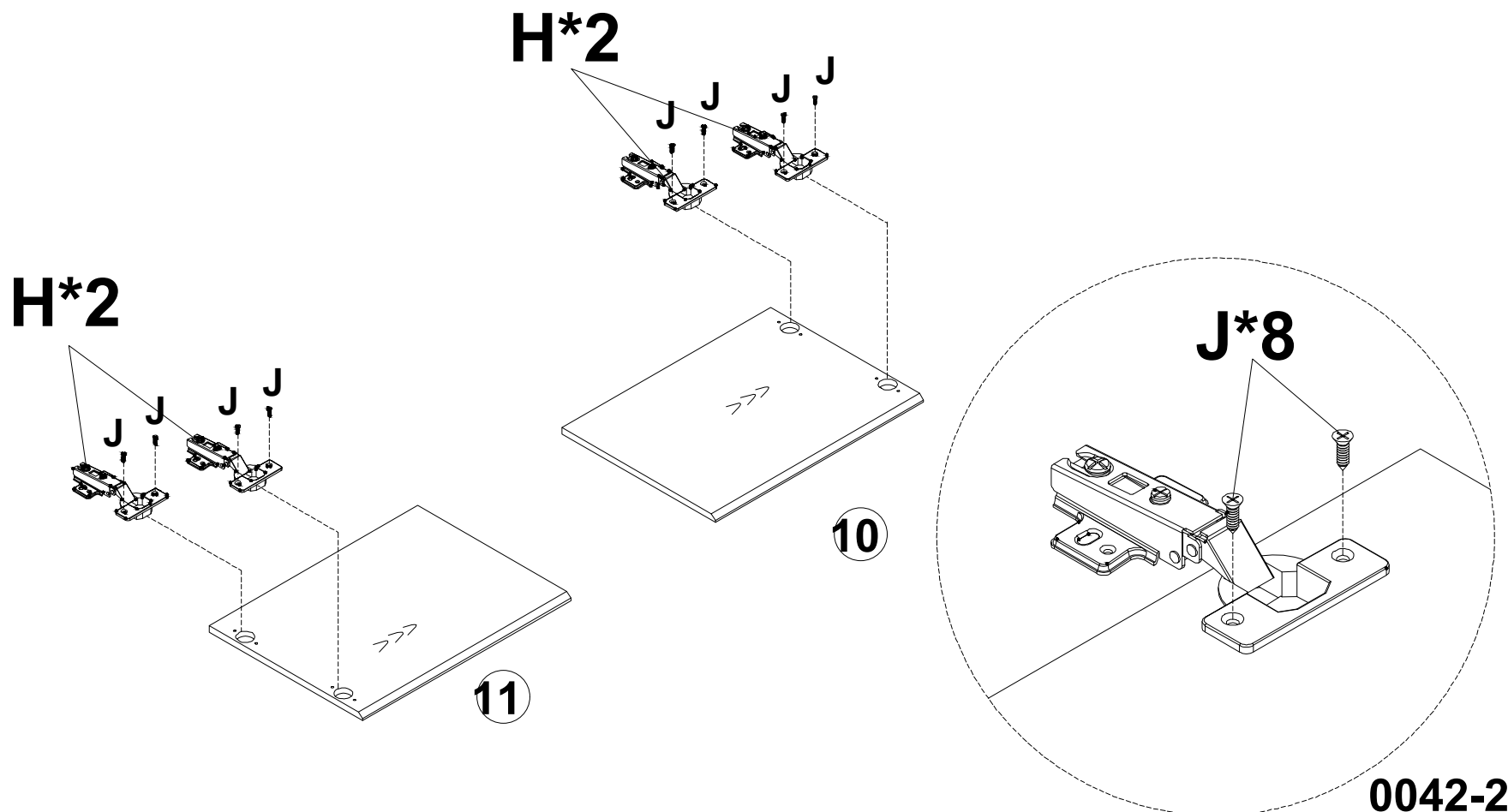


**A 10 PCS**

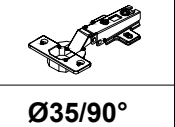


**Step 12** Take one **No.10** board and one **No.11** board, install accessory **H** on the cabinet door, and fix it with accessory **J**

**Important:** Doors 10 and 11, and hinges H and I, must be installed in their designated positions. Please follow the installation instructions carefully to avoid door misalignment.



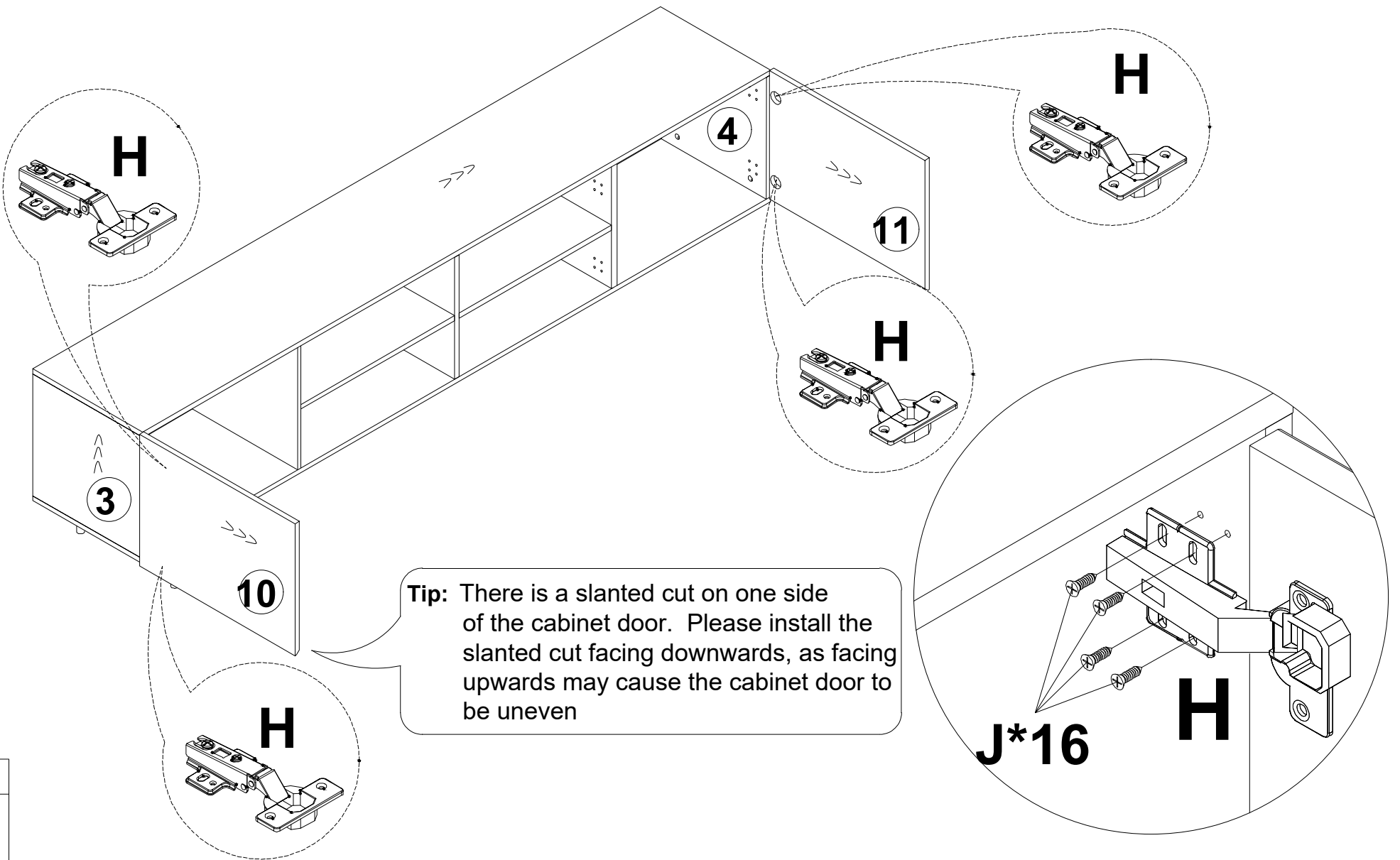
**H 4 PCS**




**J 8 PCS**



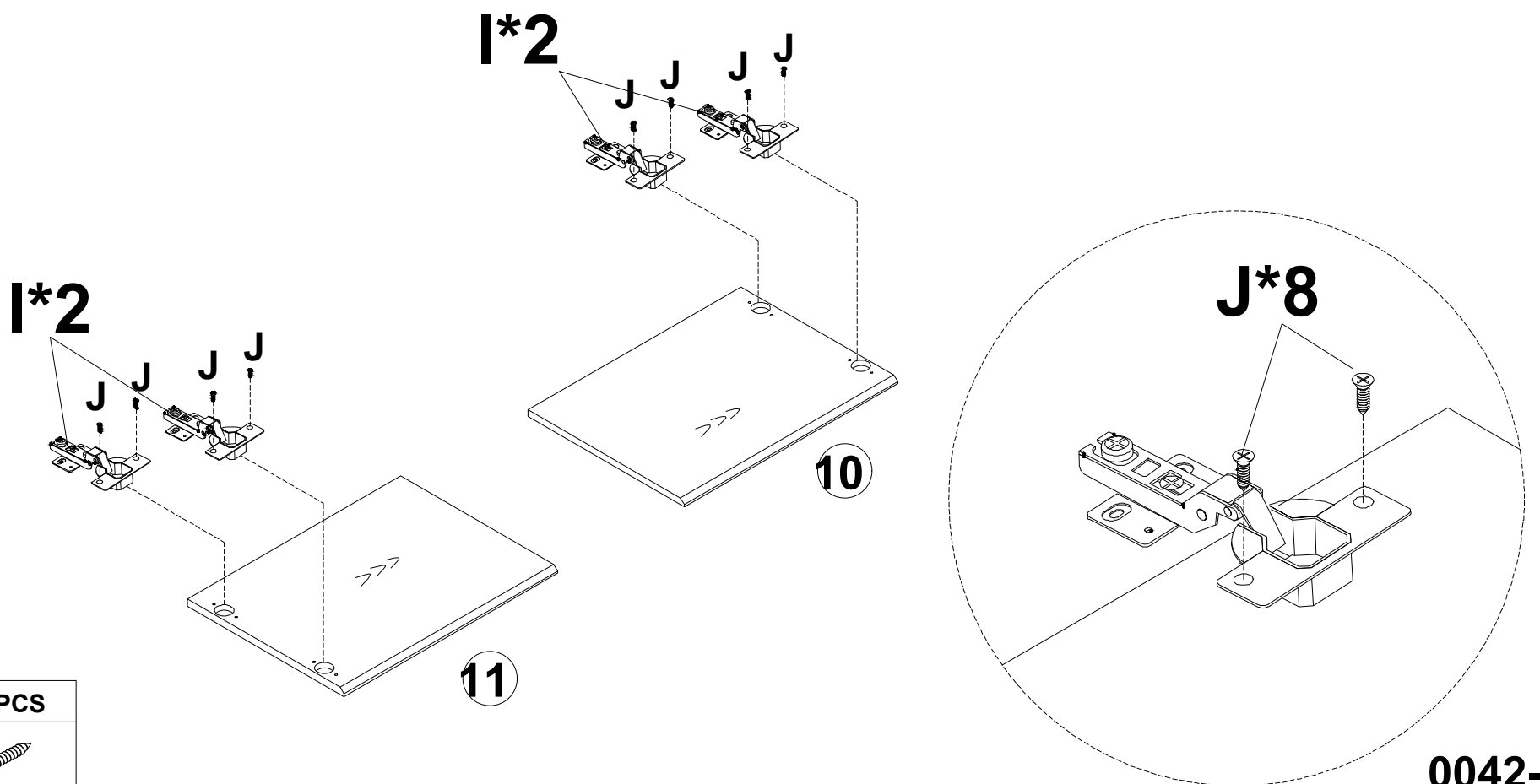
**Step 13** Install board **10** onto board **3**, and install board **11** onto board **4**.  
Secure with accessory **J**





<b>J</b>	16 PCS
	
	M4*14

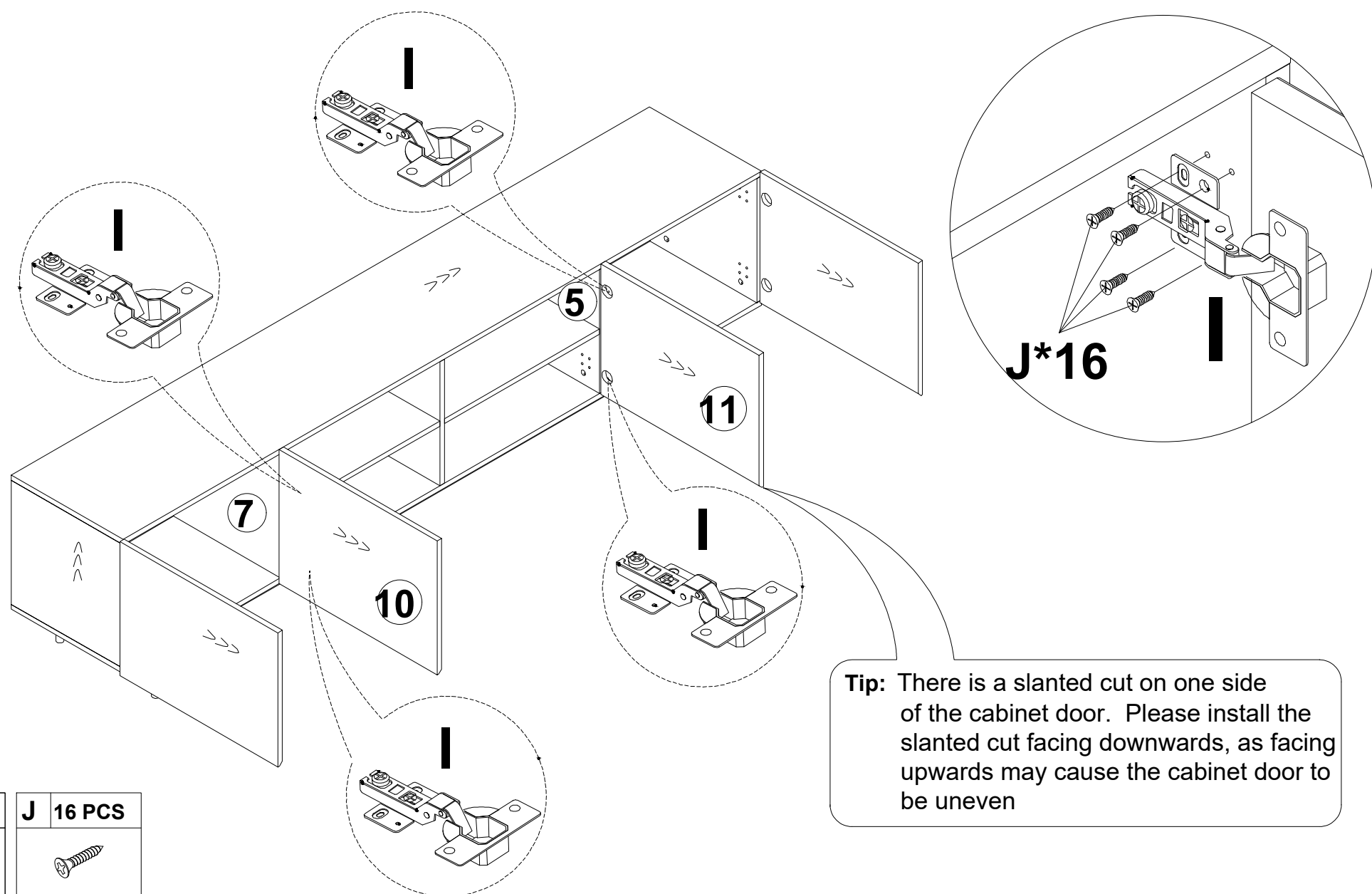
**Step 14** Take one **No.10** board and one **No.11** board, install accessory **I** on the cabinet door and fix it with accessory **J**

**Important:** Doors 10 and 11, and hinges H and I, must be installed in their designated positions. Please follow the installation instructions carefully to avoid door misalignment.



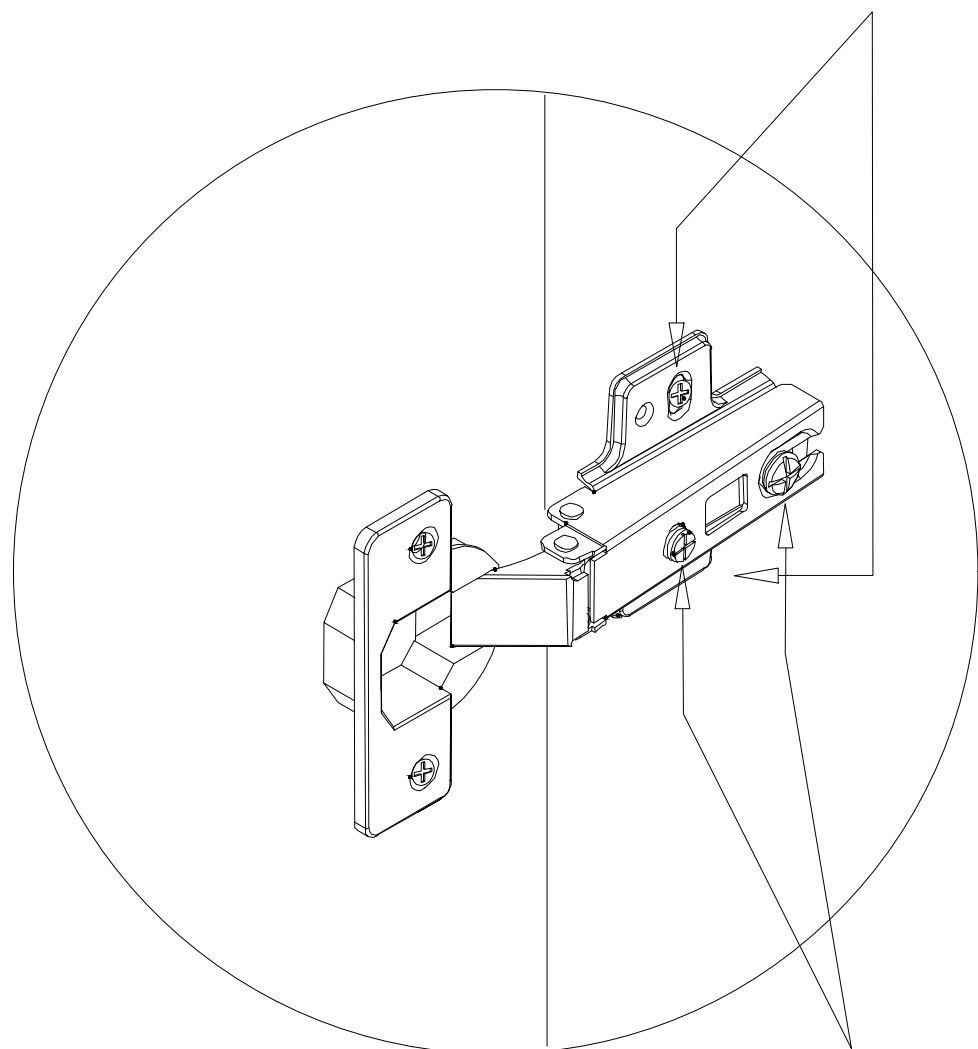
<b>I</b>	4 PCS	<b>J</b>	8 PCS
			
Ø35/90°		M4*14	

**Step 15** Install board **10** onto board **7**, and install board **11** onto board **5**.  
Secure with accessory **J**



**Step 16** The door panel can be adjusted by adjusting the screws on the accessories **H** and **I**

**Tip:** The top and bottom screws can adjust the door height



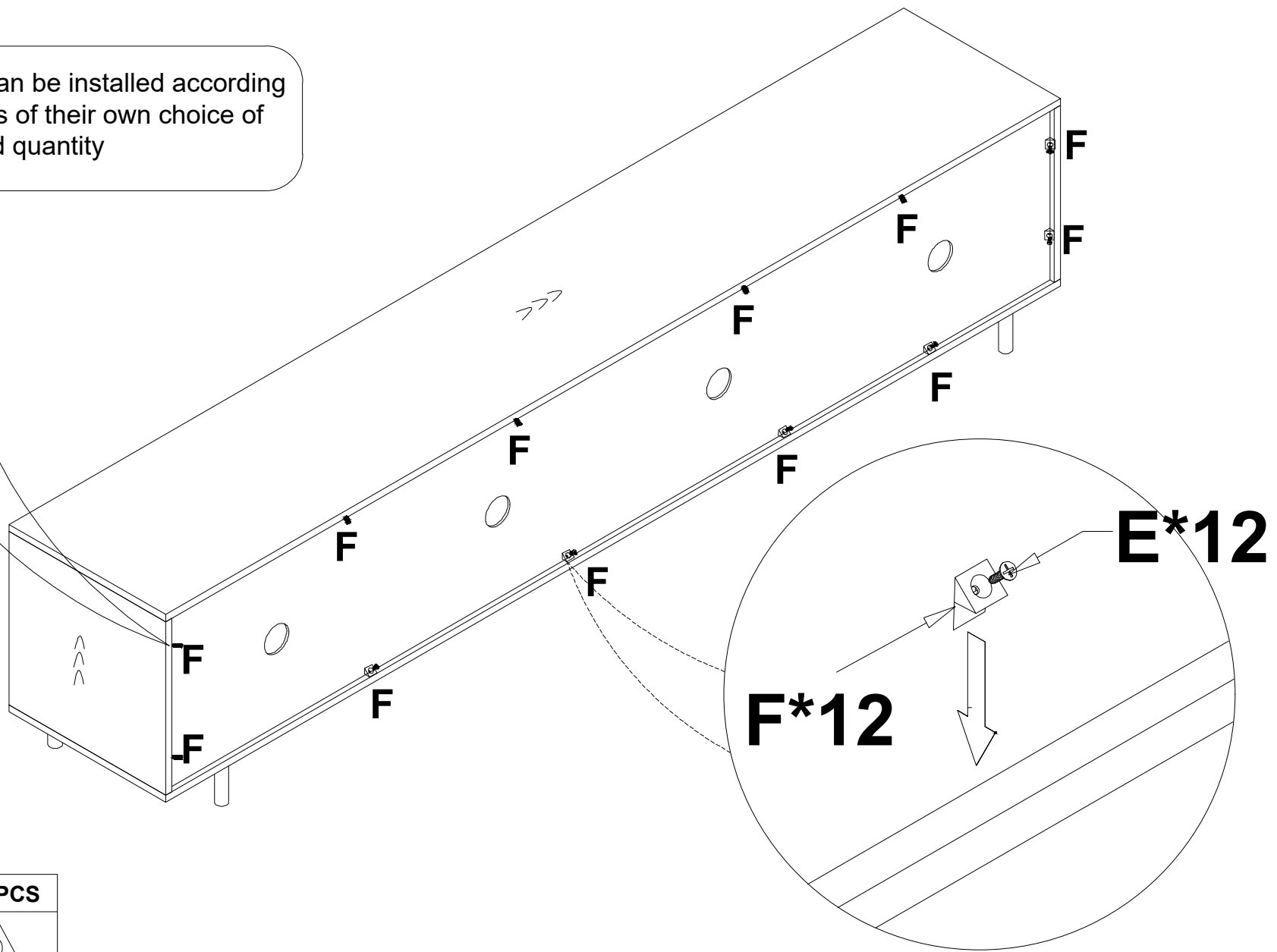
**Tip:** The last page of the manual contains detailed instructions for adjusting the door hinges



**Tip:** The two screws at the front and back can adjust the gap between the door panel

Step 17

# Install accessory F on the back of the TV cabinet and fix it with accessory E

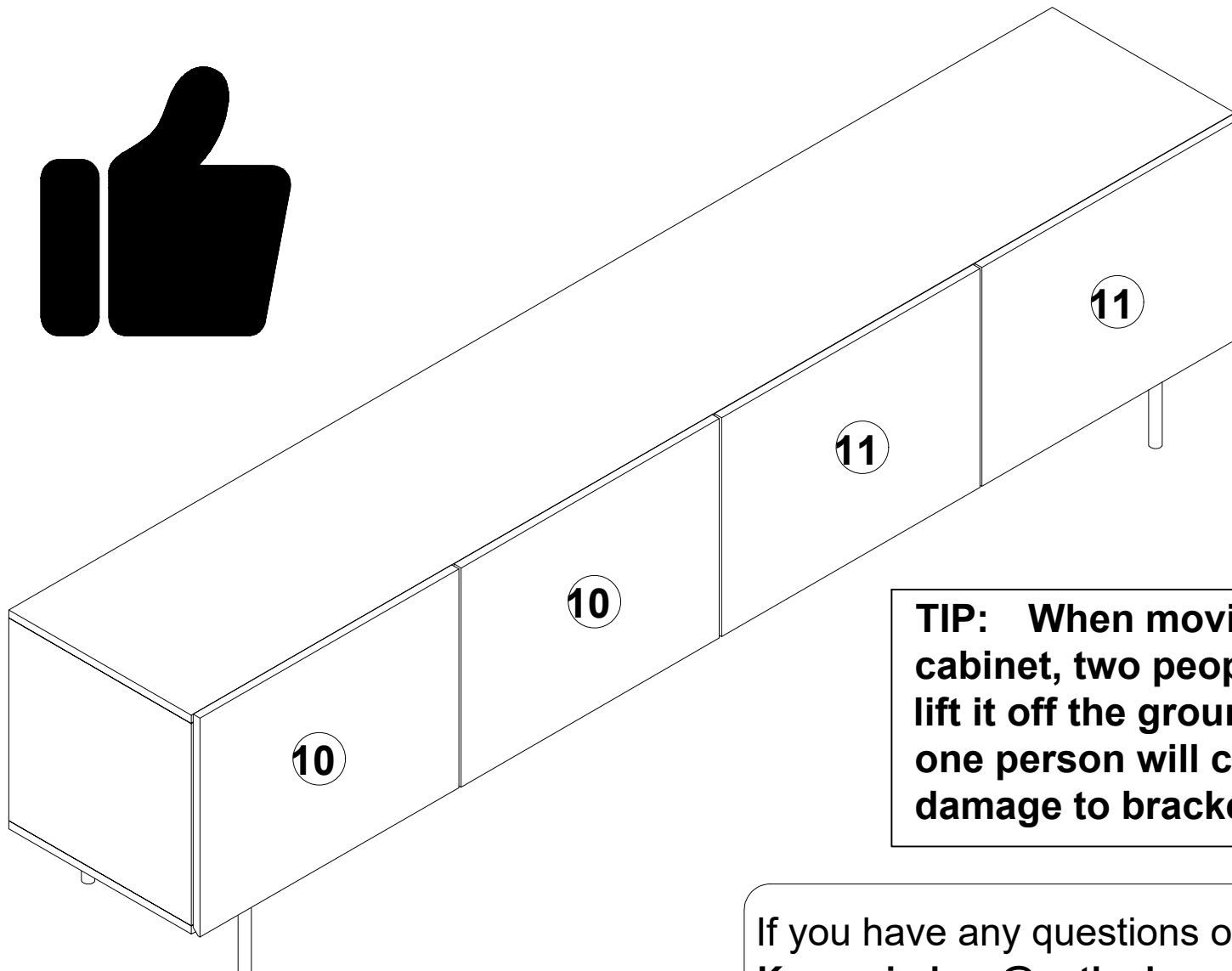
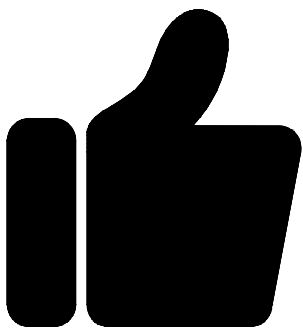
**Tip:** Fittings F can be installed according to the needs of their own choice of location and quantity



<b>E</b> 12 PCS	<b>F</b> 12 PCS
	
M3.5*14	12*10mm

Step 18

**Congratulations! the installation is complete.  
You are great. Thank you for your hard work**

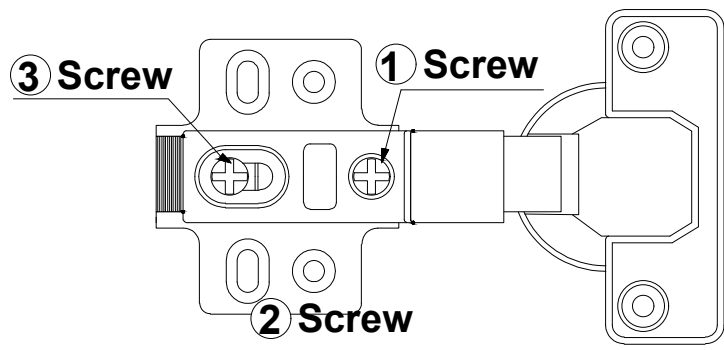


**TIP:** When moving the TV cabinet, two people are required to lift it off the ground. Dragging it by one person will cause irreparable damage to brackets 12 and 13.

If you have any questions or concerns, please contact us!  
[Kevencindy@outlook.com](mailto:Kevencindy@outlook.com)

# TV Cabinet Door Hinge Adjustment Guide

## 1. Hinge Structure Overview



- ① Left-Right Adjustment  
(align door gaps)
- ② Up-Down Adjustment  
(level door heights)
- ③ In-Out Adjustment  
(move door closer to or farther from the cabinet)

## 2. Common Issues & Adjustment Methods

### A. One door is higher than the other

What to Do: Use the up/down adjustment screw ② on the hinge base.

Slowly adjust one side at a time until both doors are level.

It's best to make small changes and check frequently.

### B. The gap between the two doors is uneven

What to Do: Turn the left/right adjustment screw ① on the hinge arm to move the door left or right. This helps even out the center gap between the two doors.

### C. The door won't close properly or pops open

What to Do: Use the depth adjustment screw ③ to move the door in or out.

This helps the door close smoothly and stay shut.

## 3. Suggested Adjustment Steps

1. Make sure the cabinet is placed on a level surface to avoid visual misalignment caused by uneven flooring.
2. Adjust the doors one by one—start with height, then fine-tune the gap spacing.
3. After adjustment, gently open and close the doors to ensure they move smoothly without sticking.

## 4. Helpful Tips

1. Use a Phillips screwdriver for easier and more precise adjustments.
2. Adjust both doors together for a more balanced and symmetrical look.
3. If the doors are warped or misaligned beyond hinge adjustment, please check the door panels or cabinet structure first.