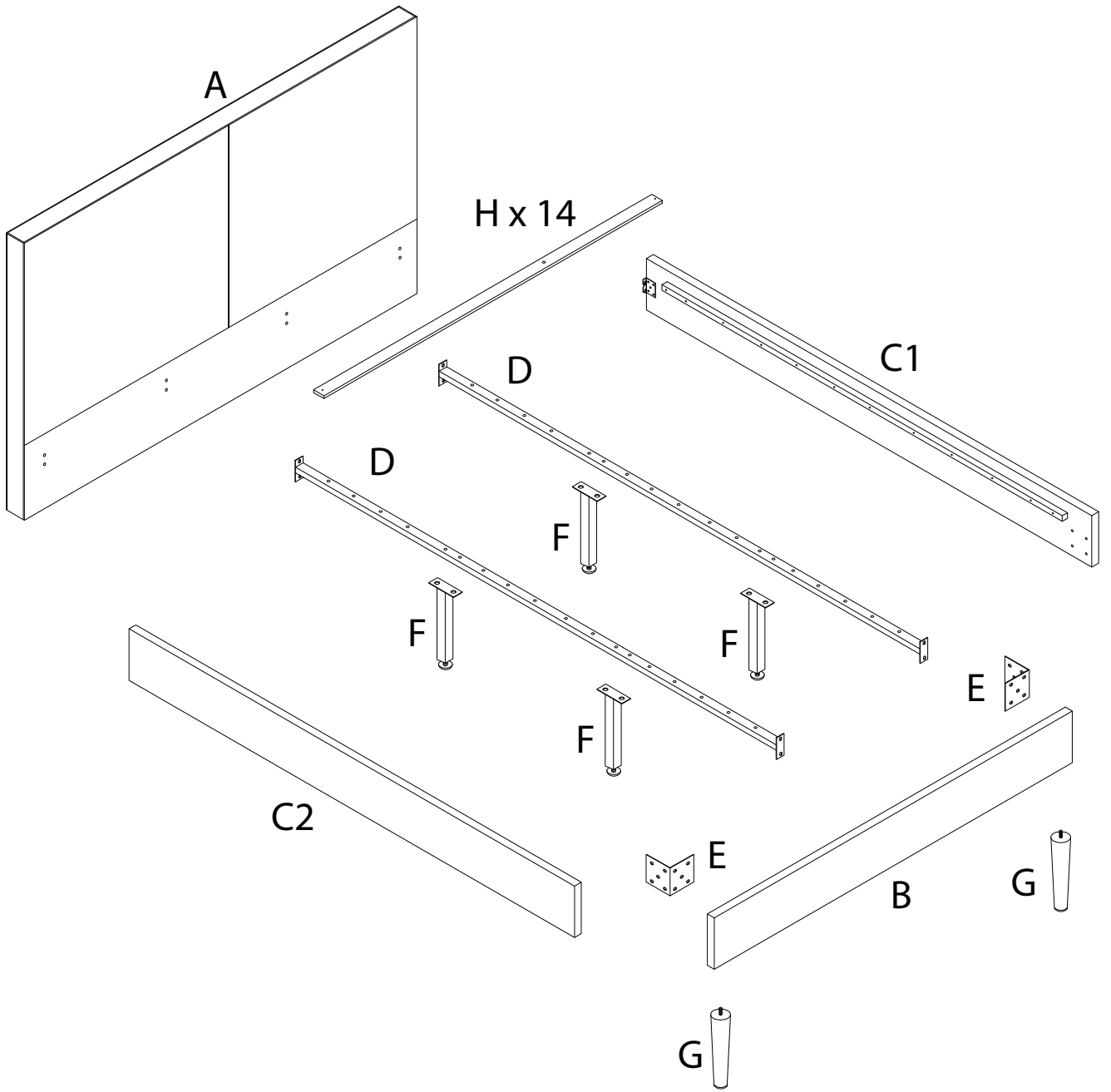
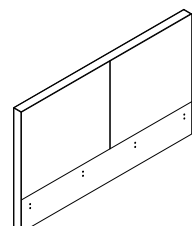
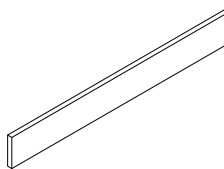
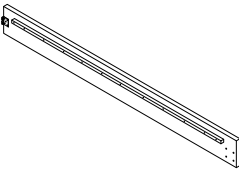
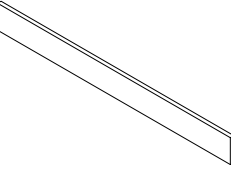
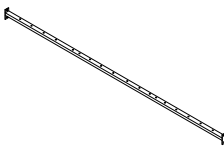


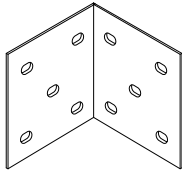
Assembly instructions for step 1/7:

- Tools:** A circle containing an Allen key, a screwdriver, and a wrench. A power drill is shown with a diagonal line through it, indicating it is not to be used.
- Warning:** A triangle with an exclamation mark.
- Time:** A clock icon with the text "40'" below it, indicating an estimated assembly time of 40 minutes.
- Personnel:** A stick figure icon with the number "2" below it, indicating that two people are required for assembly.



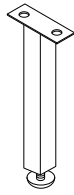
| | | | | |
|---|---|--|---|---|
| <p>A</p>  <p>x 1</p> | <p>B</p>  <p>x 1</p> | <p>C1</p>  <p>x 1</p> | <p>C2</p>  <p>x 1</p> | <p>D</p>  <p>x 2</p> |
|---|---|--|---|---|

E



x 2

F



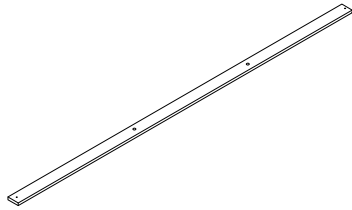
x 4

G



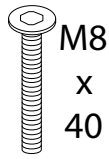
x 2

H



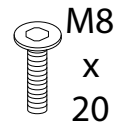
x 14

J



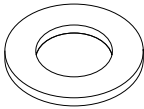
x 44

K



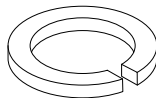
x 20

L



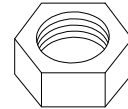
x 66

M



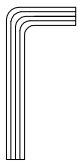
x 38

N



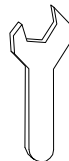
x 38

O



x 1

P




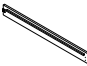

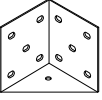

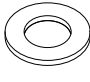
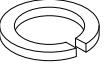

x 1

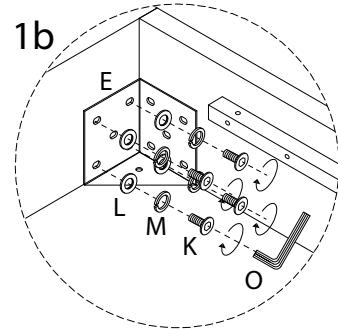
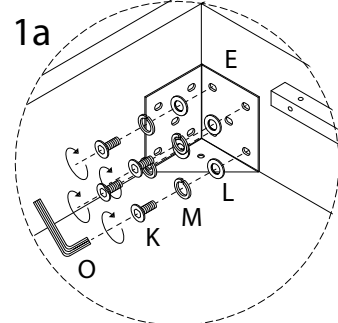
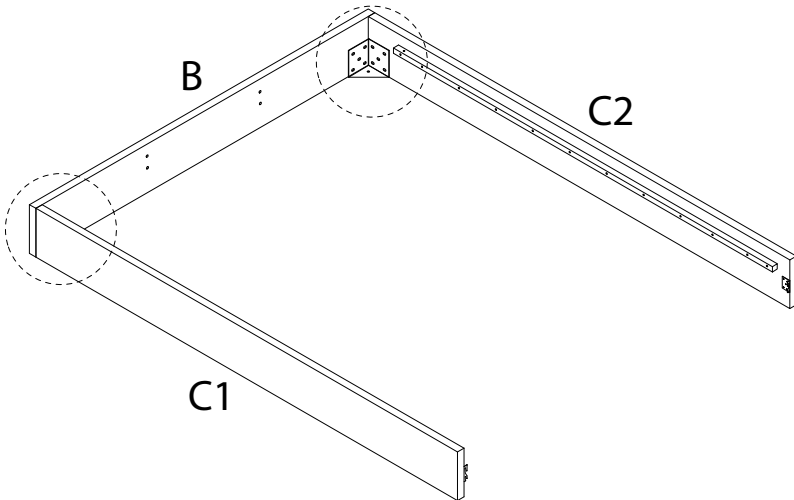
Q




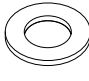
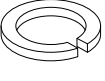
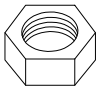

x 28

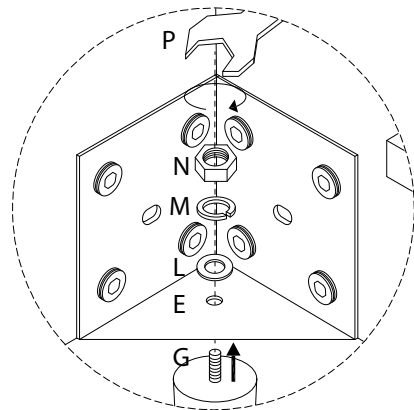
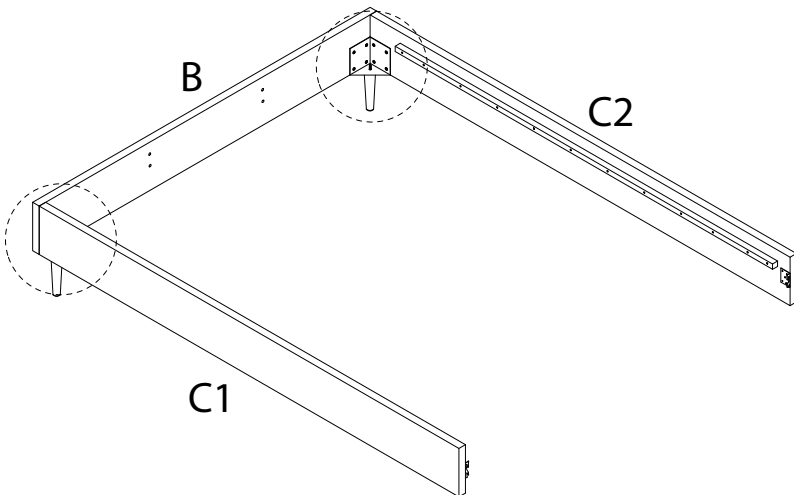
1

| | | | | | | | |
|--|---|---|--|---|---|---|--|
| B  x 1 | C1  x 1 | C2  x 1 | E  x 2 | K  x 16 | L  x 16 | M  x 16 | O  x 1 |
|--|---|---|--|---|---|---|--|

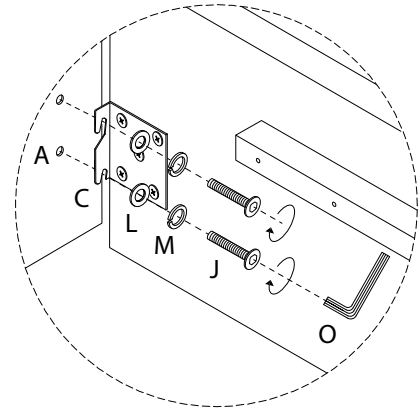
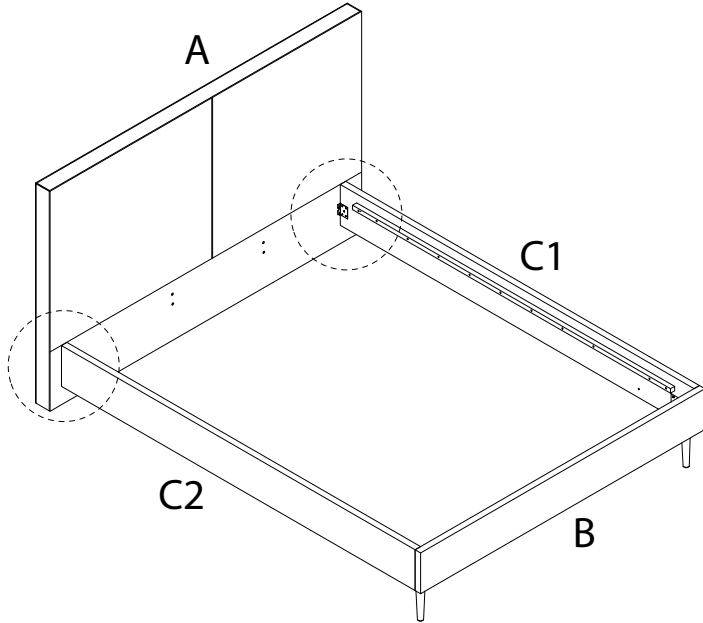
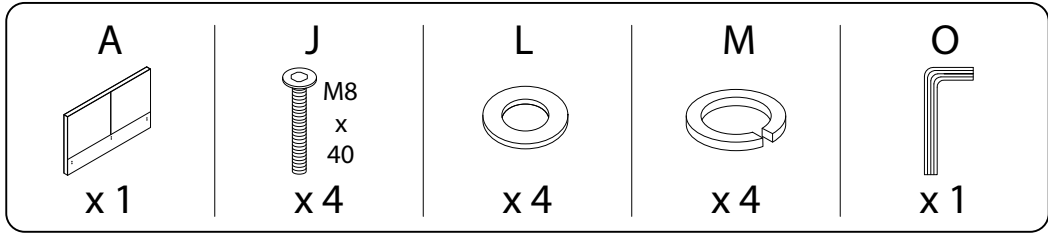


2

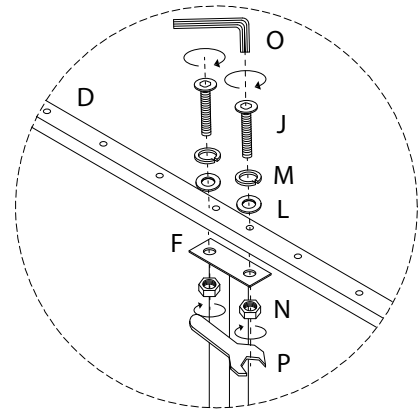
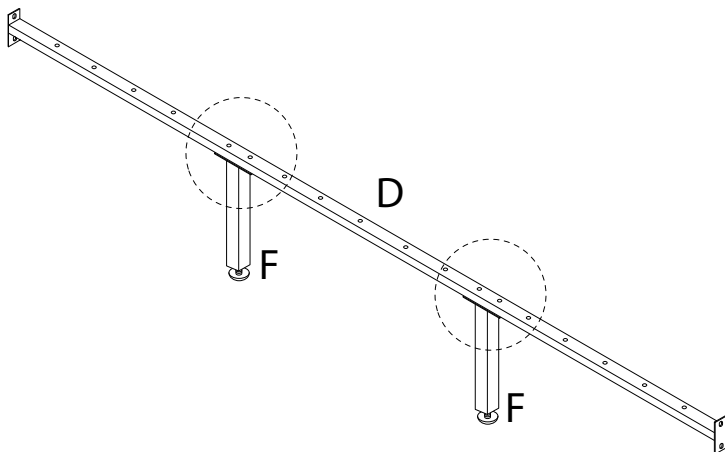
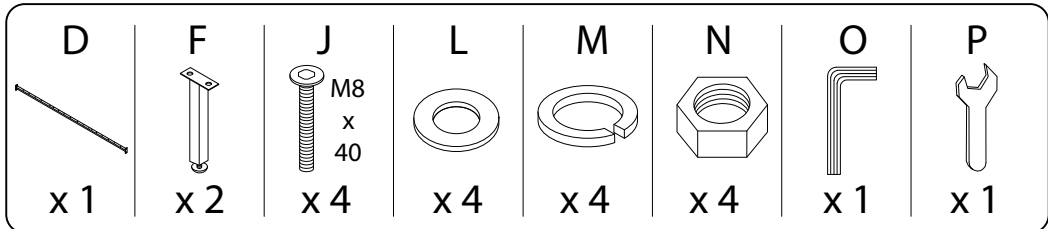
| | | | | |
|--|--|--|--|--|
| G  x 2 | L  x 2 | M  x 2 | N  x 2 | P  x 1 |
|--|--|--|--|--|



3



4 x 2



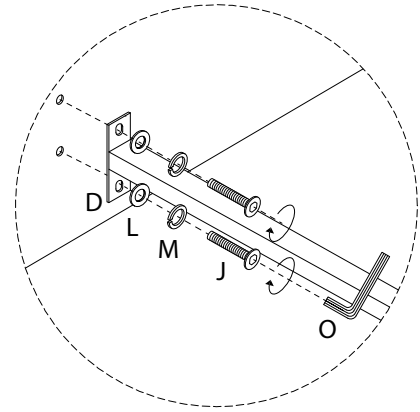
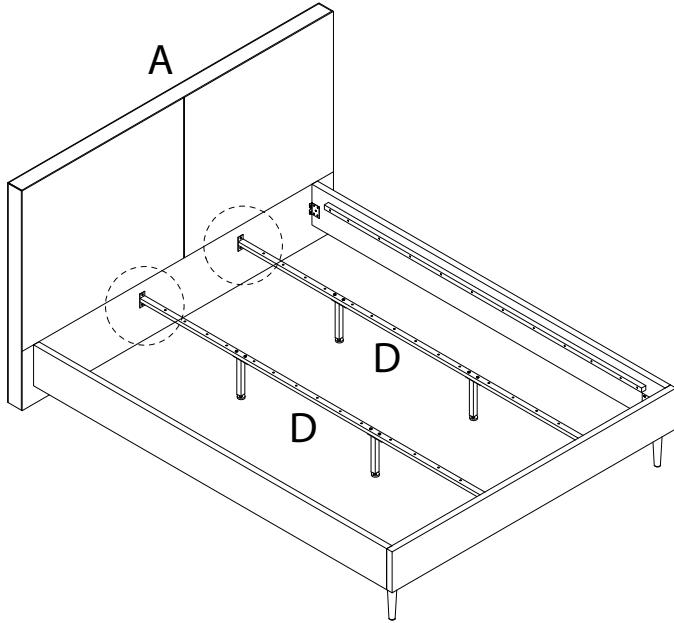
5

J
M8
x
40
x 4

L
x 4

M
x 4

O
x 1



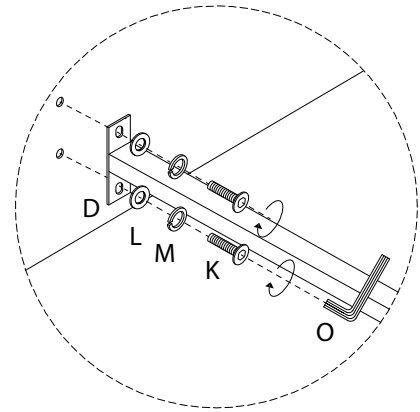
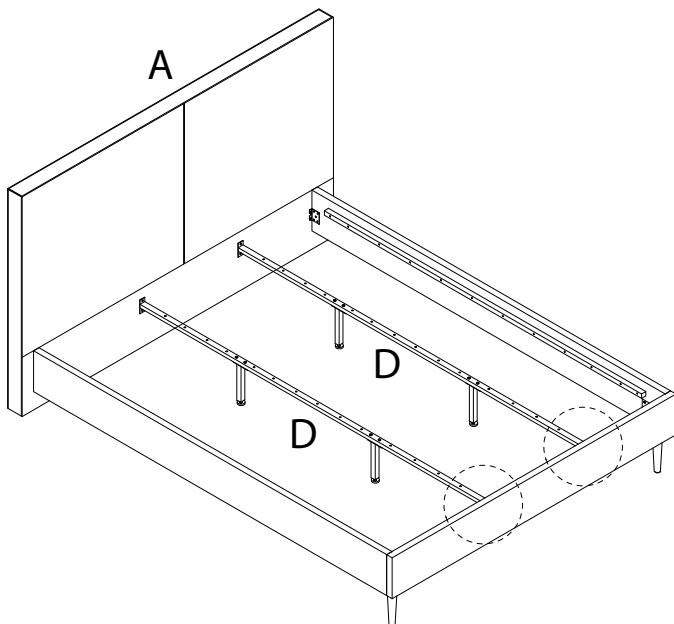
6

K
M8
x
20
x 4

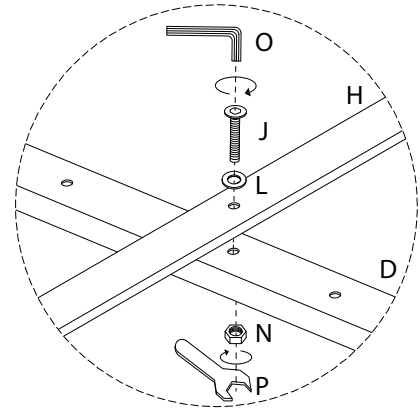
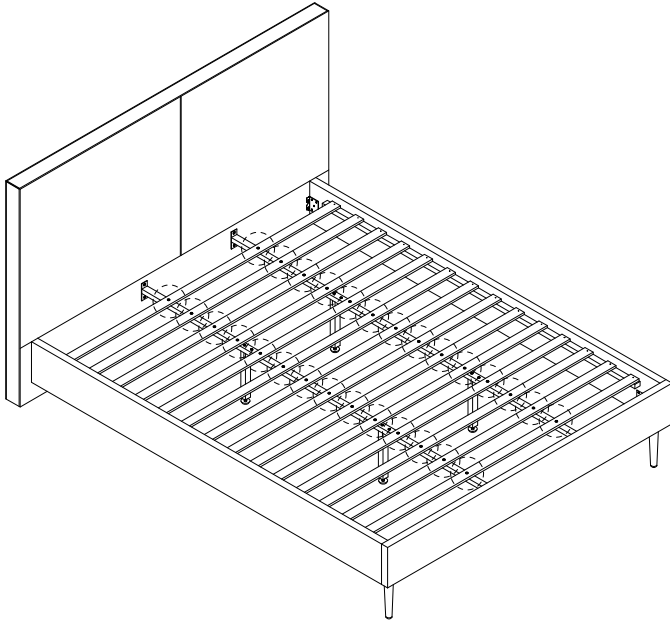
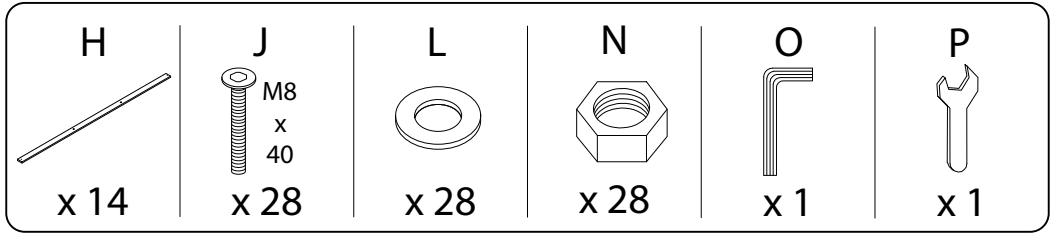
L
x 4

M
x 4

O
x 1



7



8

