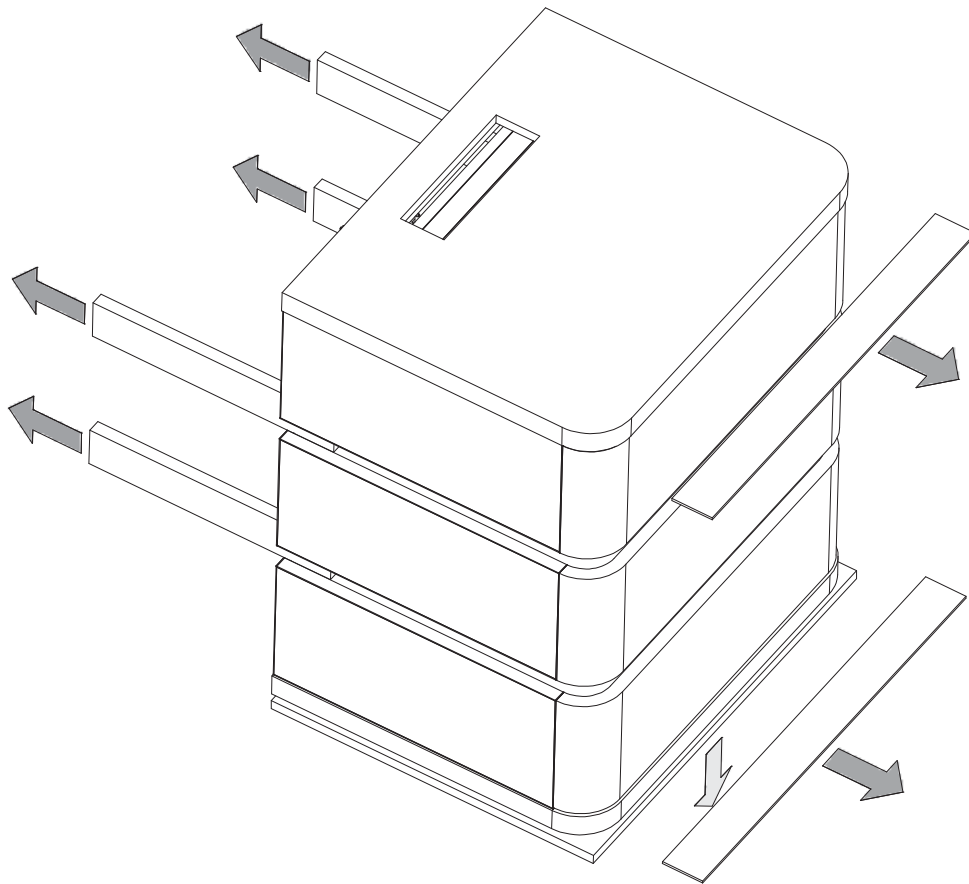


Product structure decomposition

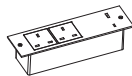
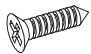


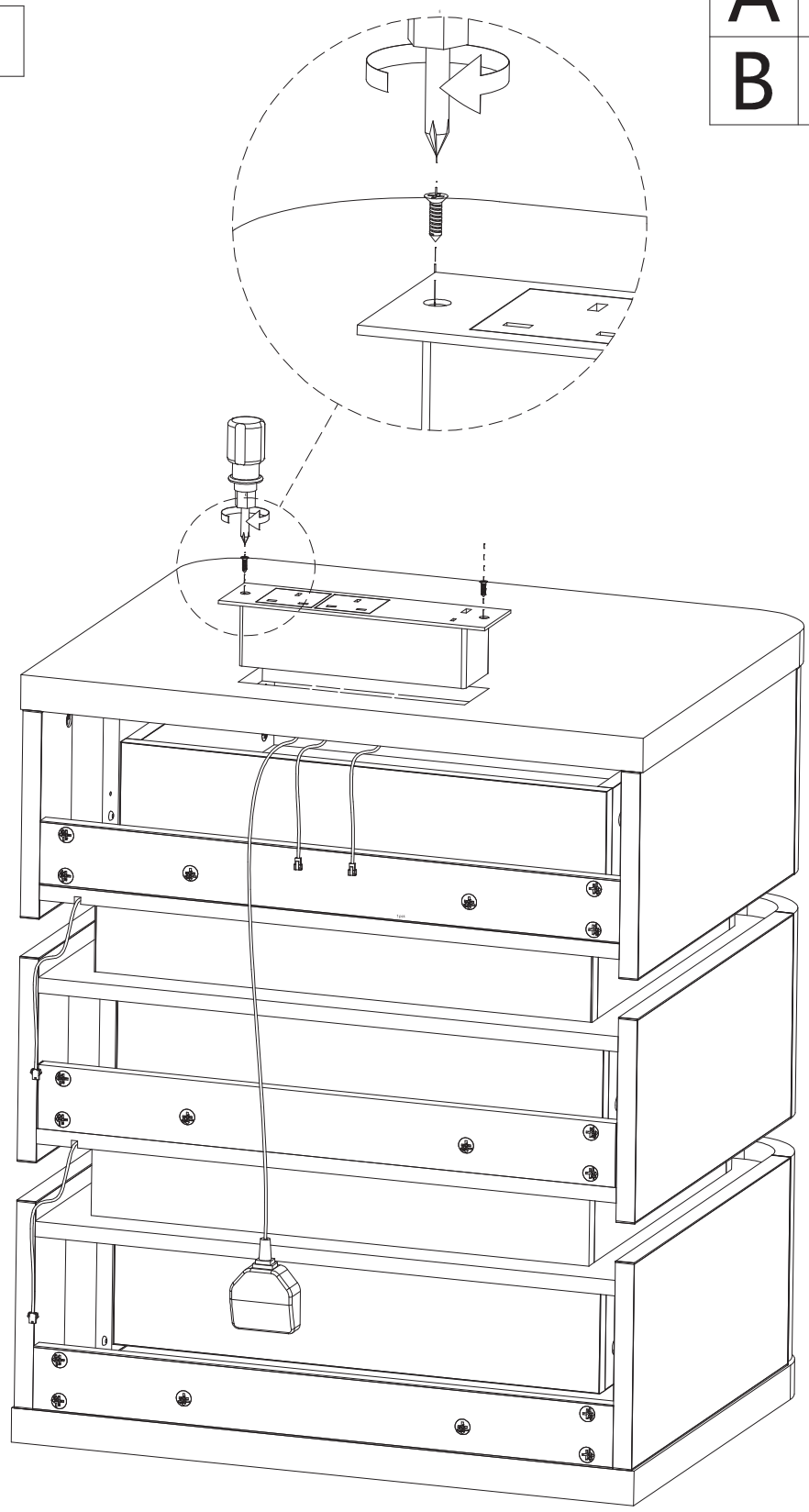
Step1

Remove the protection board,
The power adapter is in the bottom drawer.

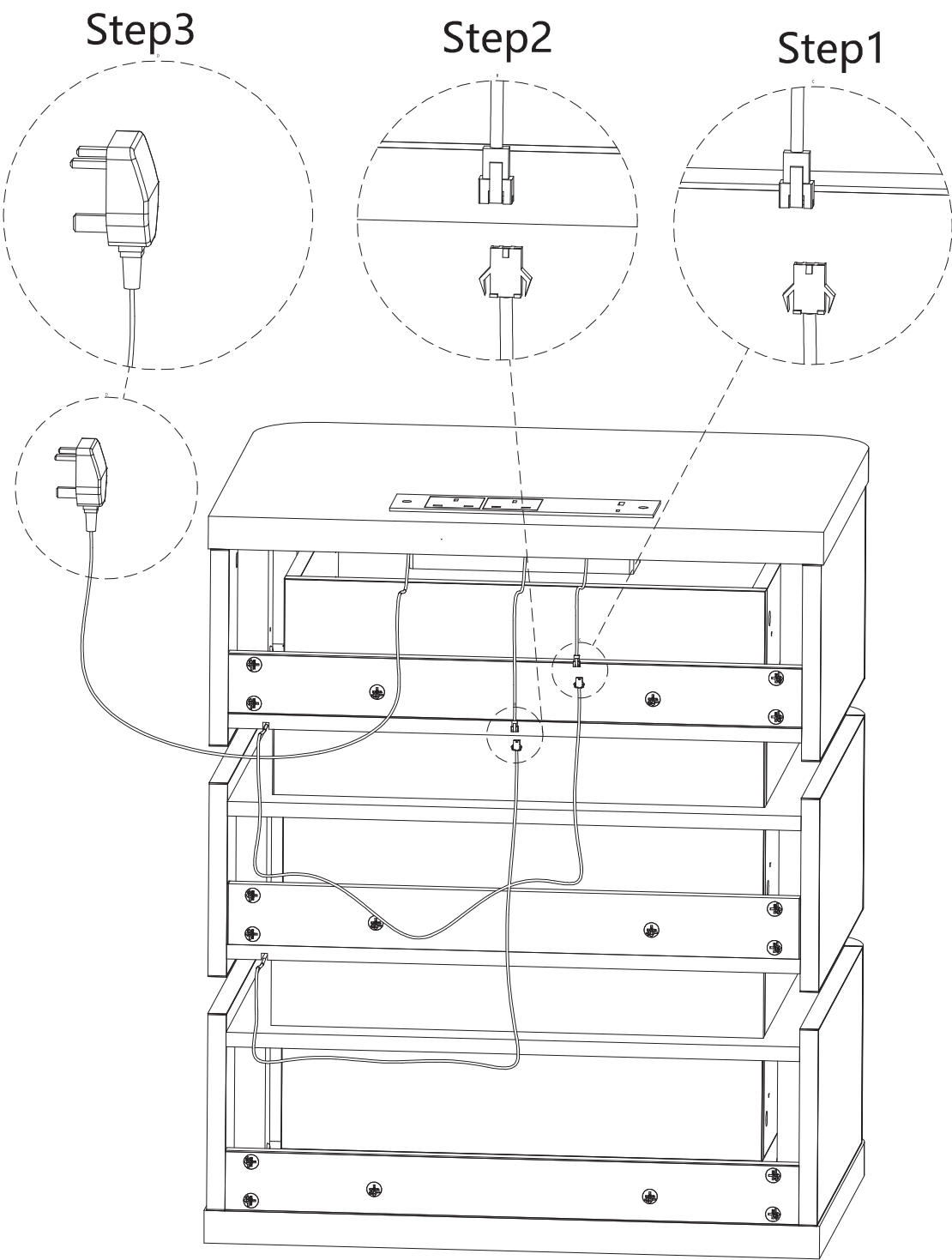


Step2

code	diagram	count
A		1
B		2



Step3





User's Guide

Thank you for purchasing this product.

To use this product, please connect it to a power source.

Please use if the product works normally after connecting to power.

Introduction

The box is an intelligent controller.

It has 1 USB output port 1 Type-c port, and 2 socket outlets.

With 2 touch buttons, it can and turn ON/OFF the induction function, turn ON/OFF the light, adjust the light luminance, and change light colors.

The lights can be controlled through both the touch buttons and a dedicated app.

Operation



This touch button is used to turn the light on/off, adjust brightness, and switch the color of the lights.

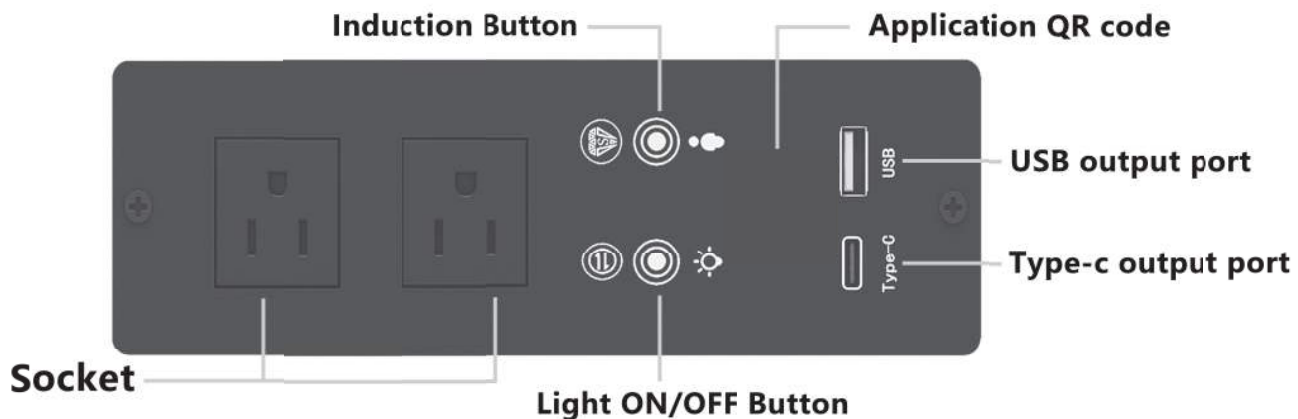
- i. Single Click: Turn the light on/off.
- ii. Quick Double-Click: Switch between 7 static RGB colors.
- iii. Long Press (2+ seconds): Adjust the light luminance.



This touch button is used to switch dynamic phantom colors and turn ON/OFF the induction function.

- i. Single Click: Switch to Phantom Mode, with 5 magical color transformations available.
- ii. Human Body Sensing Control: Long Press (3+ seconds): Turn on The key press indicator light is on.)
Long Press (3+ seconds): Turn off (The key press indicator light is off.)

By default, the human body sensing is enabled upon initial power-on, and the indicator light is on.



⚠ ATTENTION PLEASE

1. If there is no touch response suddenly, Re-plug the power to reset the touch static electricity.
2. If you have any questions when installing, please feel free to contact us. Thank you.

Socket styles differ by region,
but their overall functions remain unchanged.

American socket



British Socket

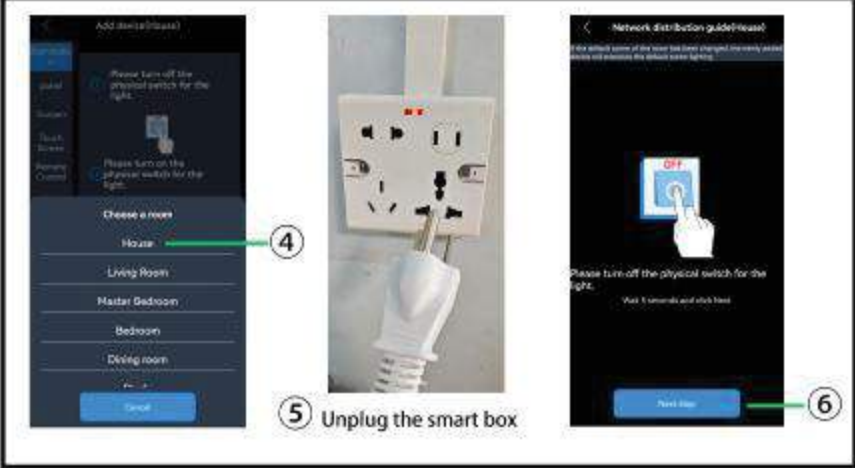
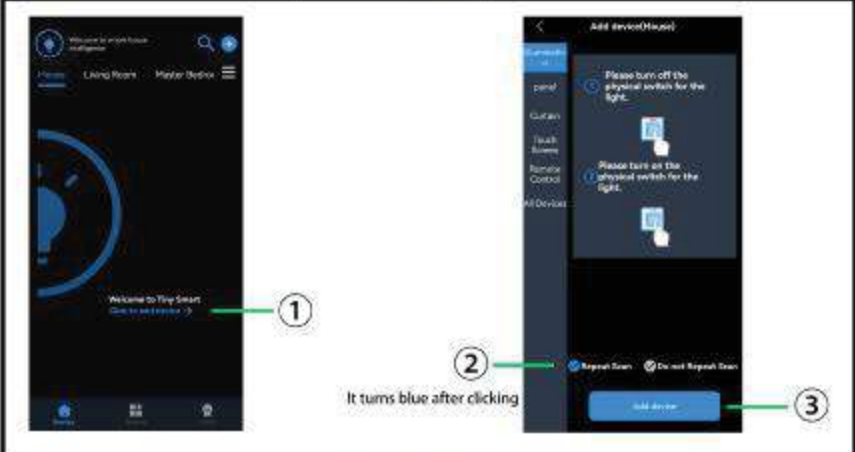


European socket



Australian socket





7 Plug in the smart box power plug.

The appearance of this program icon indicates that the matching is complete



8



9



10



Now you can freely adjust the lighting according to your preferences