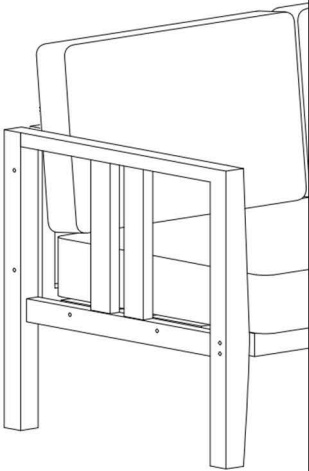


# Owner Manual



# WARRANTY

We strive to offer high quality product and we also try our best to satisfy each customer that order from us, no matter on products or services as needed. Each customer receives a record of their order, such as the order number or item receipt. For any items that are out of warranty period, you may still be able to purchase the replacement parts from our company if they are available.



# MAINTENANCE AND WARNING

Please read the manual thoroughly  
before you start installing.

Please keep the product away from  
sharp object.

Packaging and small parts may have  
chocking hazard, please keep them away  
from children and pets.

Please clean the product according to each  
clean code, check the product description  
for more information.

Please keep the product away from  
fire.

If you have any other questions, please  
contact us, we will be glad to help you out.

If the product is placed under direct  
sunlight, the pattern or color might fade  
away overtime.

Check the product periodically to make  
sure everything is secured and tightened.

Always use proper tools for installation.

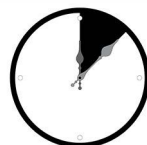
Do not jump on the product.



Two people



0-3



Around 35 min

# PRODUCT DESCRIPTION

**Weatherproof Fabric:** Upholstered in a waterproof cotton-blend, this loveseat resists rain, moisture, and UV rays. It stays dry and clean with minimal upkeep.

**Solid Teak Frame:** Made from 100% teak wood, the frame is built to endure outdoor exposure while offering timeless, natural warmth.

**Strong Weight Capacity:** Designed to hold up to 400 lbs, the structure is sturdy and secure for daily outdoor use.

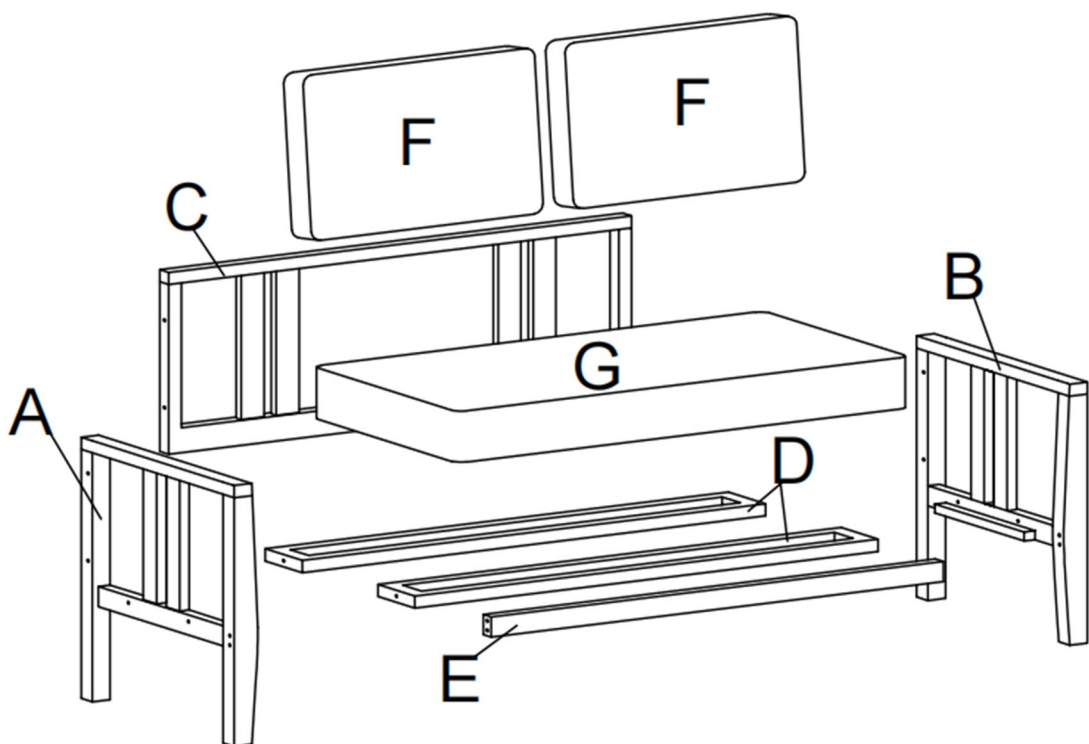
**Spacious & Supportive Seating:** With a wide seat and tall backrest, this loveseat encourages extended lounging with ergonomic comfort.

**Designer Armrests:** Open-square teak arms add a sculptural, contemporary detail while keeping the silhouette airy and elegant.

# EXPLODED VIEW



The product's left and right are determined by sitting posture



# PARTS

Ax1



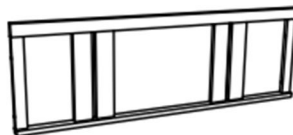
Right arm

Bx1



Left arm

Cx1



Backrest

Dx2



Seat frame

Ex1



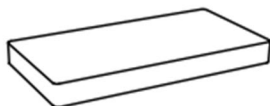
Seat rail

Fx2



Back cushion

Gx1



Seat cushion

# HARDWARE

## TOOL LIST

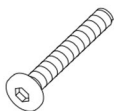
NOTE: Designated with (★) We provide additional spare parts in the hardware package

①\*8



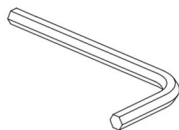
★ M6\*50mm  
Bolts

②\*4



★ M6\*60mm  
Bolts

③\*1



Allen key

④\*4



Ø10\*13mm  
Vertical nut

⑤\*12



★ Hole cover

⑥\*12



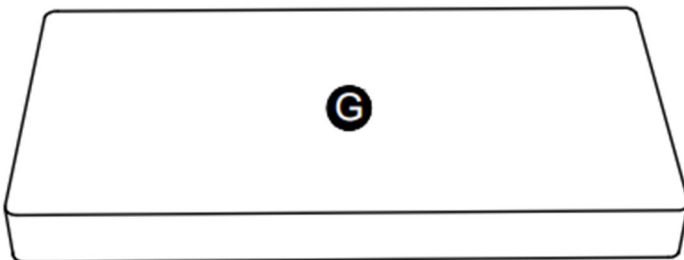
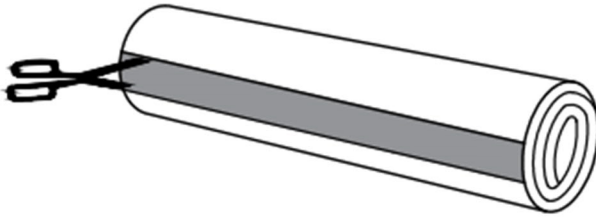
★ Ø6\*14mm  
Flat washer

Please make sure all hardware&packing material fitting the list.

Especially some small accessories may be missing during transportation. Please contact us if you have any question.

# step 1

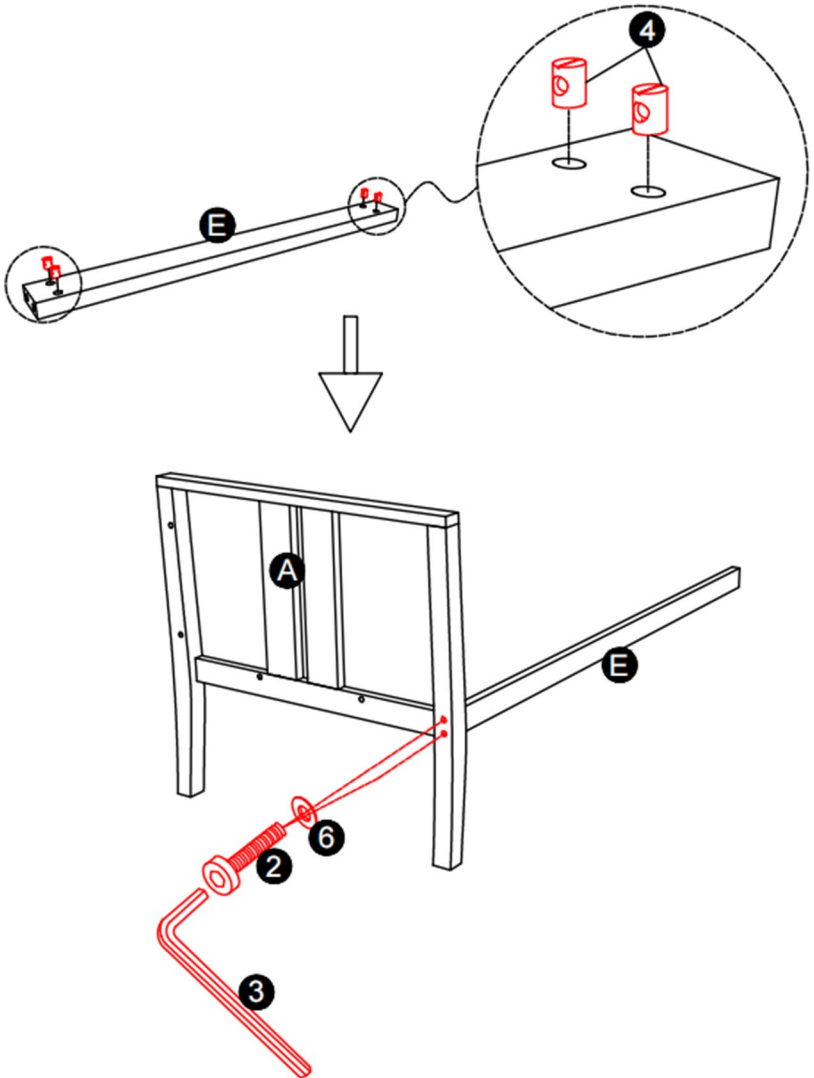
After taking out the cushions (G) from the air compression bags, please allow them to recover for a period of time. It may take up to 48 hours to fully recover. You can gently slap them to speed up the process.



# step 2

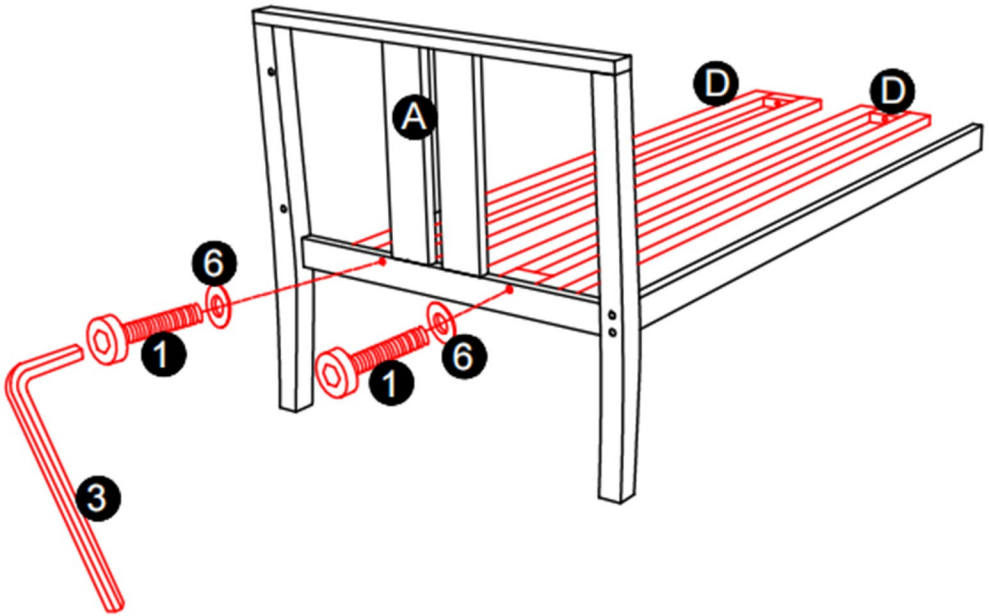
Place the nuts (4) into the designated holes on the Seat Rail (E) as shown, make sure the holes on the nuts are aligned with the holes on both sides of the Seat Rail (E).

Attach the Seat Rail (E) to the Right Armrest (A), use the allen wrench (3) provided to tighten the bolts (2) and flat washers (6).



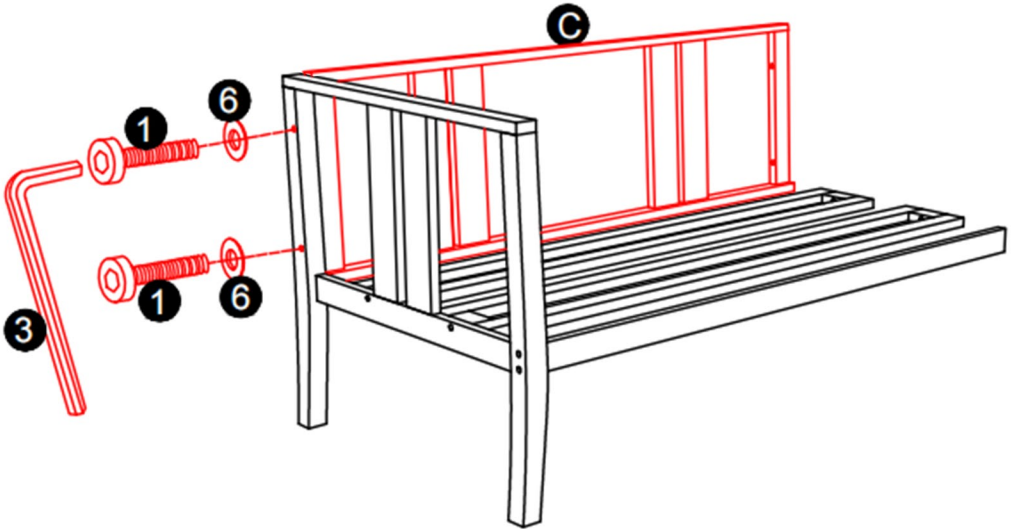
# step 3

Place one flat washer (6) on each bolt (1), and use the allen wrench (3) provided to tighten the Seat Frame (D) to the Right Armrest (A) as shown.



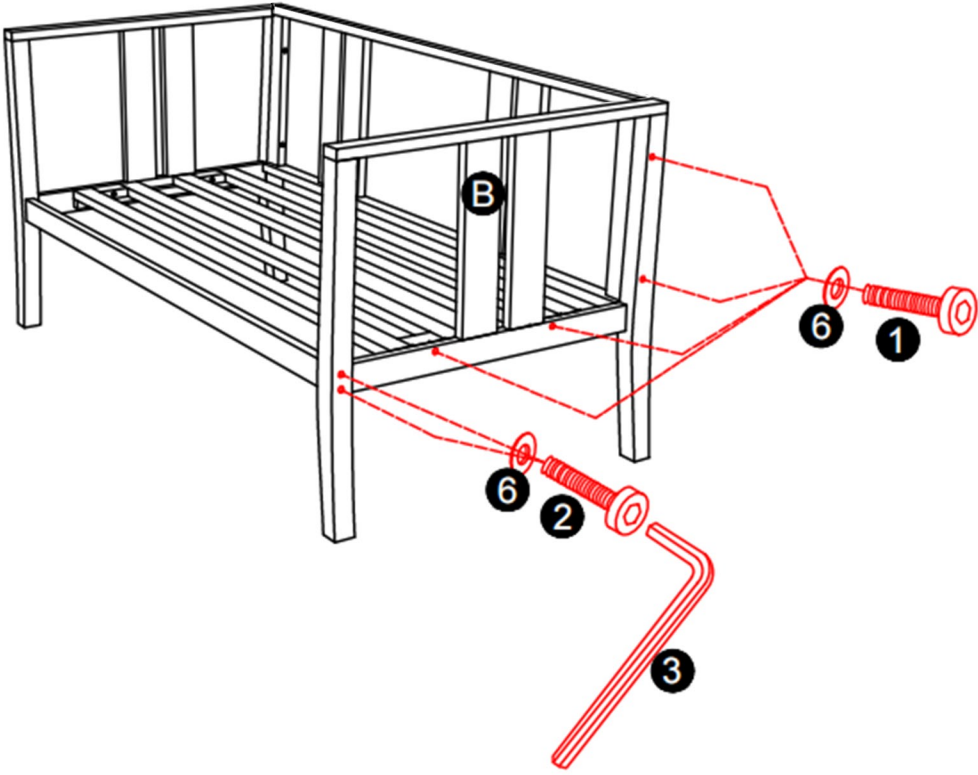
# step 4

Connect the Backrest (C) to the Right Armrest (A) as shown, then use the allen wrench (3) provided to tighten the bolts (1) and flat washers (6).



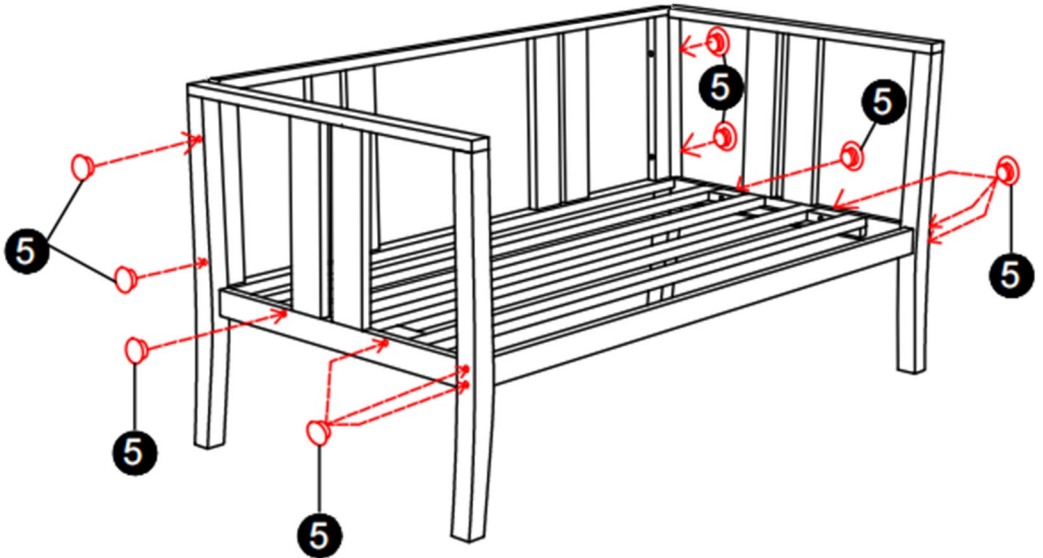
# step 5

Install the Left Armrest (B) using the same method from previous steps.



# step 6

Cover all bolt holes on both legs with the Plastic Caps (5) as shown



# step 7

Place the Back Cushion (F) and Seat Cushion (G) on the chair. Back Cushion (F) against the backrest with the tag facing front as shown.

