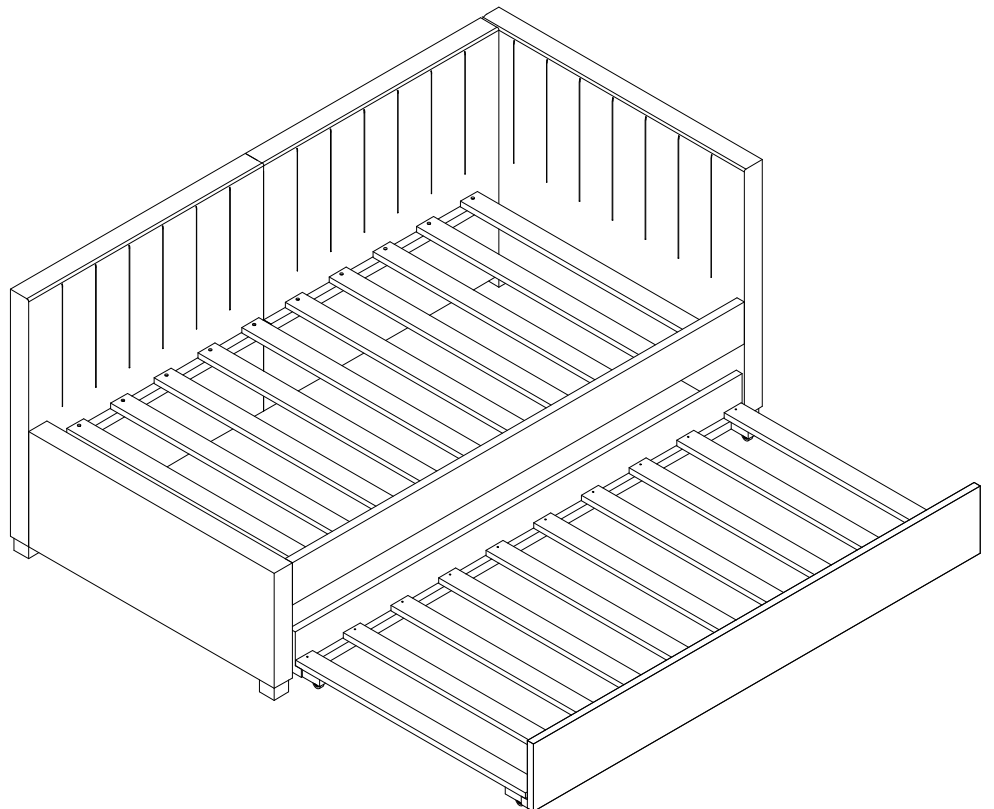
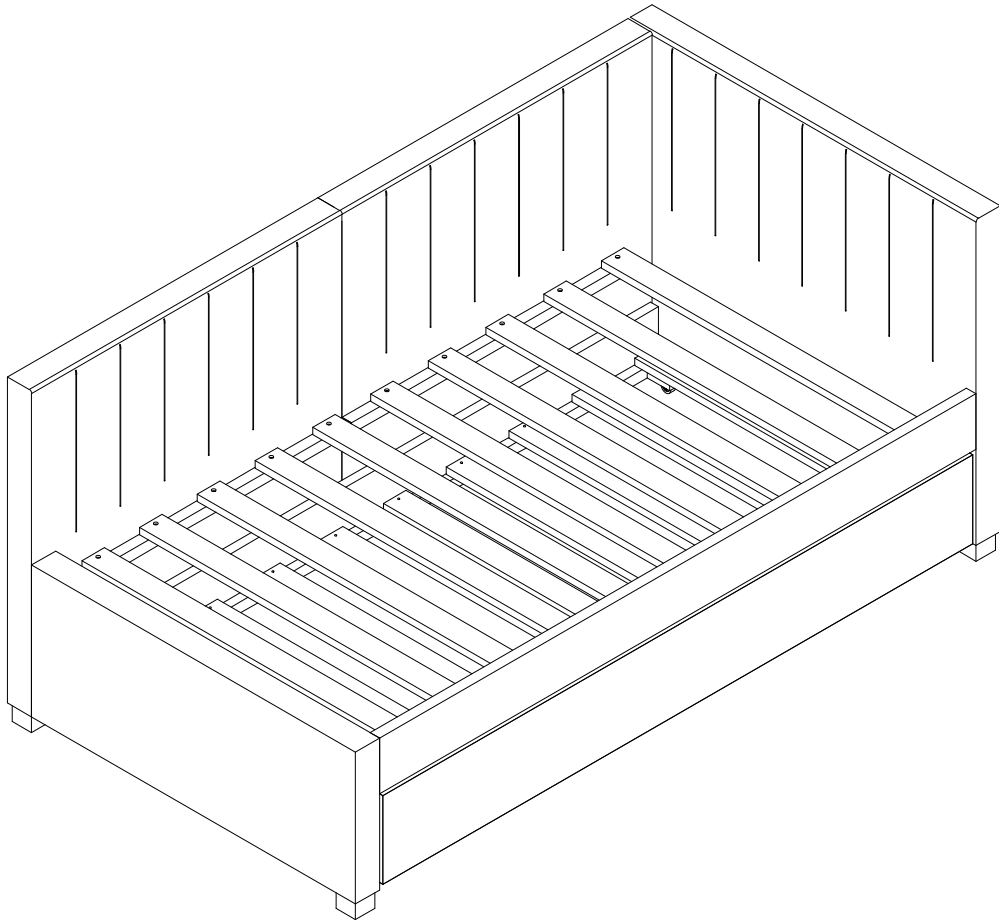
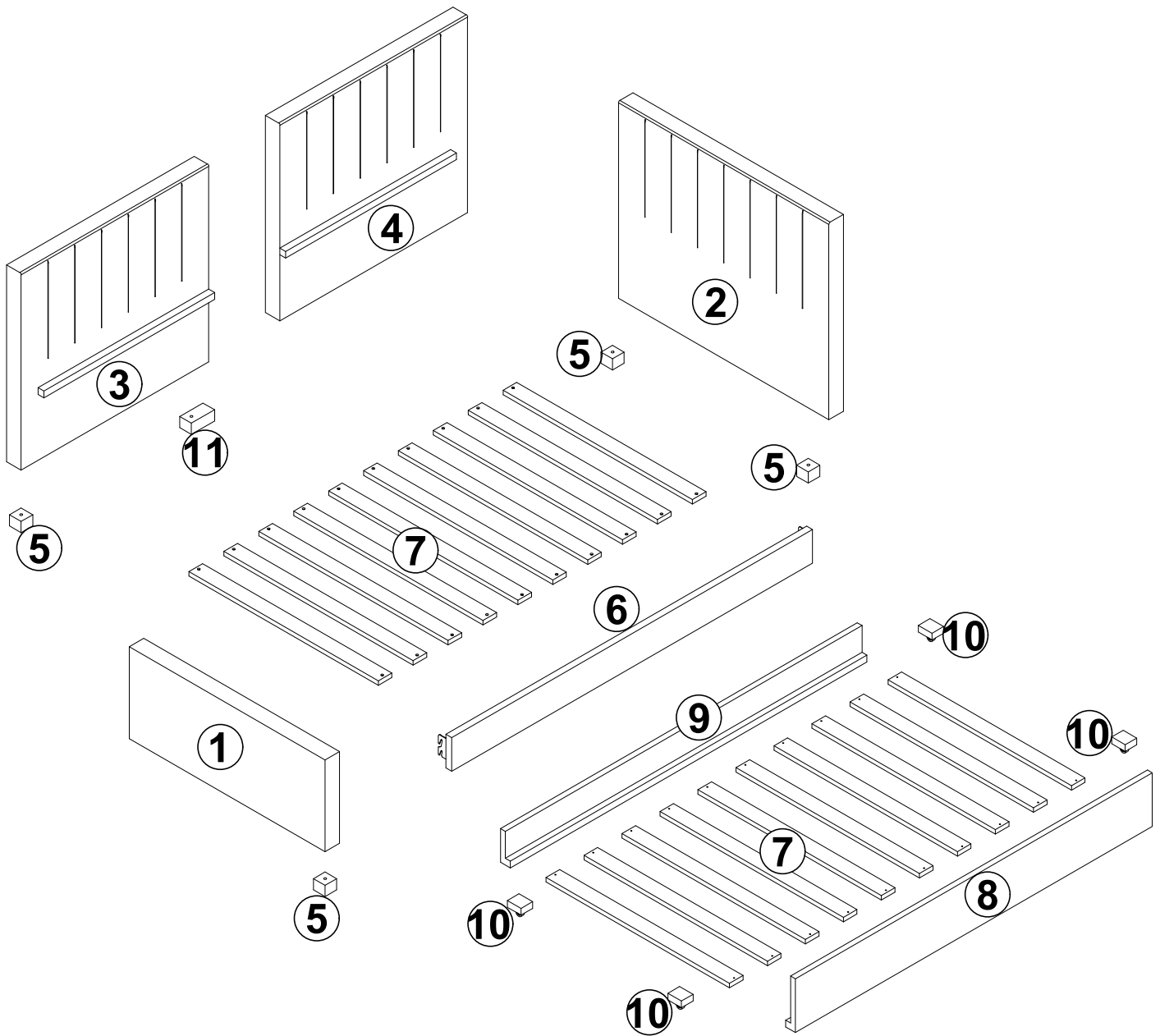


ASSEMBLY INSTRUCTION

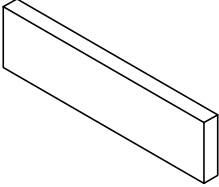
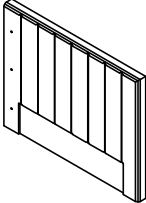
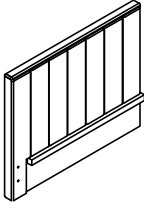
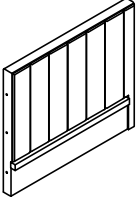
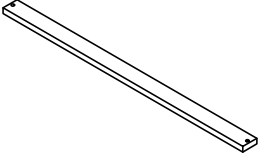


Detail View - TWIN BED WITH TRUNDLE

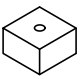
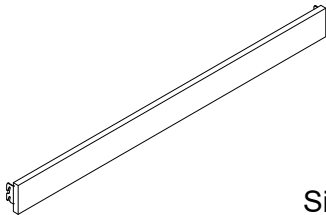
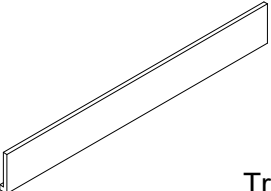
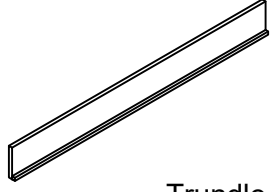



Identifying the Hardware - Identify the hardware using the illustrations below.


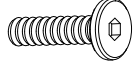
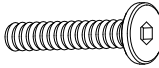
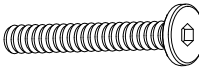






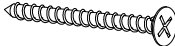

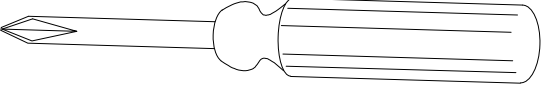
Part Lists:

<p>1</p>  <p>Footboard-1pc</p>	<p>2</p>  <p>Headboard-1pc</p>
<p>3</p>  <p>Back panel 1 - 1pc</p>	<p>4</p>  <p>Back panel 2 - 1pc</p>
<p>7</p>  <p>Bed slat - 20pcs</p>	

Part Lists:

5  Bed leg - 5pcs	6  Side rail -1pc
8  Trundle front panel -1pc	9  Trundle back panel -1pc
10  Wheel support -4pcs	

HARDWARE LISTS:

A  4mm Allen key (1pc)	B  Ø5/16" x 20mm Hex-head bolt (4pcs)
C  Ø5/16" x 40mm Hex-head bolt (6pcs)	D  Ø5/16" x 50mm Hex-head bolt (5pcs)
E  Ø5/16" Spring washer (15pcs)	F  Ø5/16" Flat washer (15pcs)
G  Ø5/16" x 70mm Hanger bolt (2pcs)	H  Half moon (2pcs)
I  Ø5/16" Nut (2pcs)	J  Wrench (1pc)
K  Ø4 x 30mm Wood screw (40pcs)	L  Ø4 x 40mm Wood screw (8pcs)
 ASSEMBLY TOOLS REQUIRED (NOT INCLUDED)	

Read this instruction carefully. See hardware and furniture part list for guidance. Be sure all parts are complete, before you assemble. Place all wooden furniture parts on a clean and flat soft surface to prevent from being scratched.



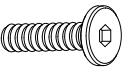
Follow the figure to start assembling.

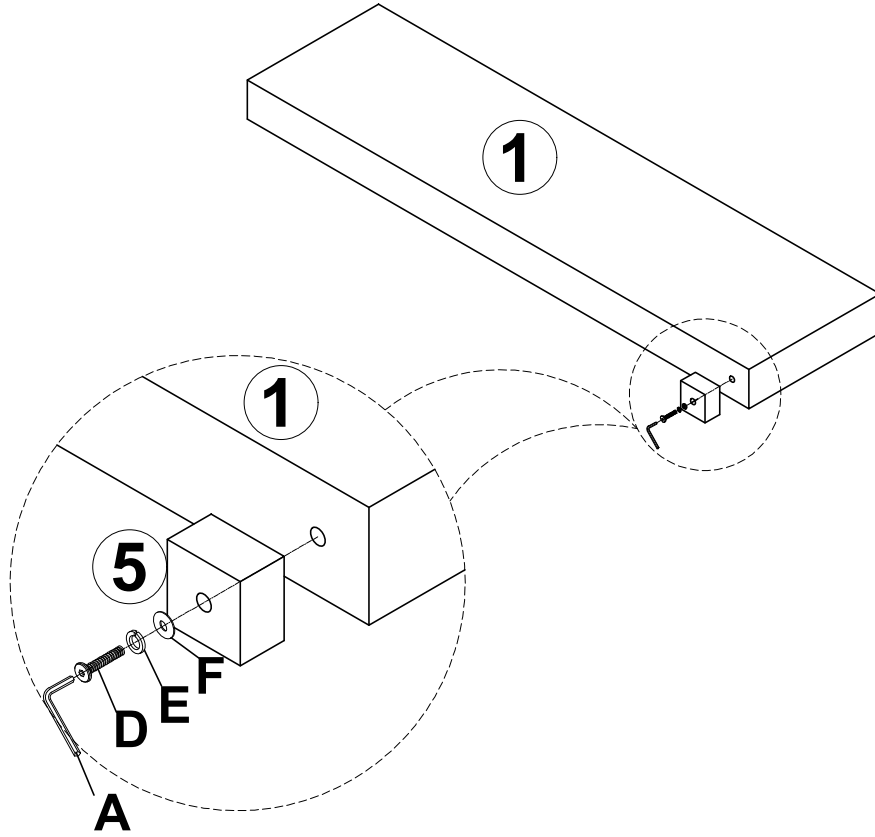
CAUTIONS :

1. Do not FULLY - TIGHTEN the nut or nut bolt until all nut or bolt is ready assembled.
2. Do not OVER - TIGHTEN the nut or bolt to avoid causing damages to the thread.
3. Keep all hardware parts out of reach of children.




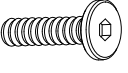
NOTE : THE LIST AND QUANTITY SHOWN ARE FOR 1 UNIT ASSEMBLY.

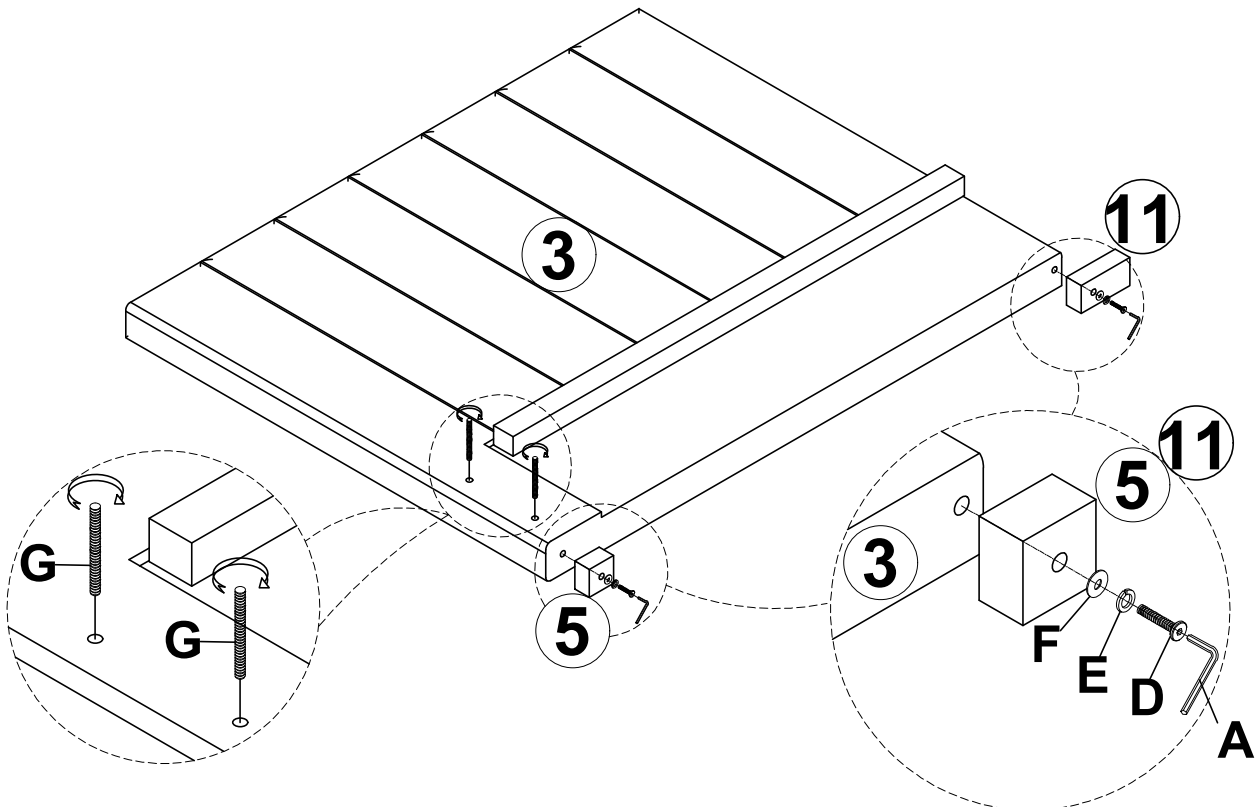
STEP 1

F		E		D	
	1PC		1PC		1PC



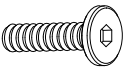


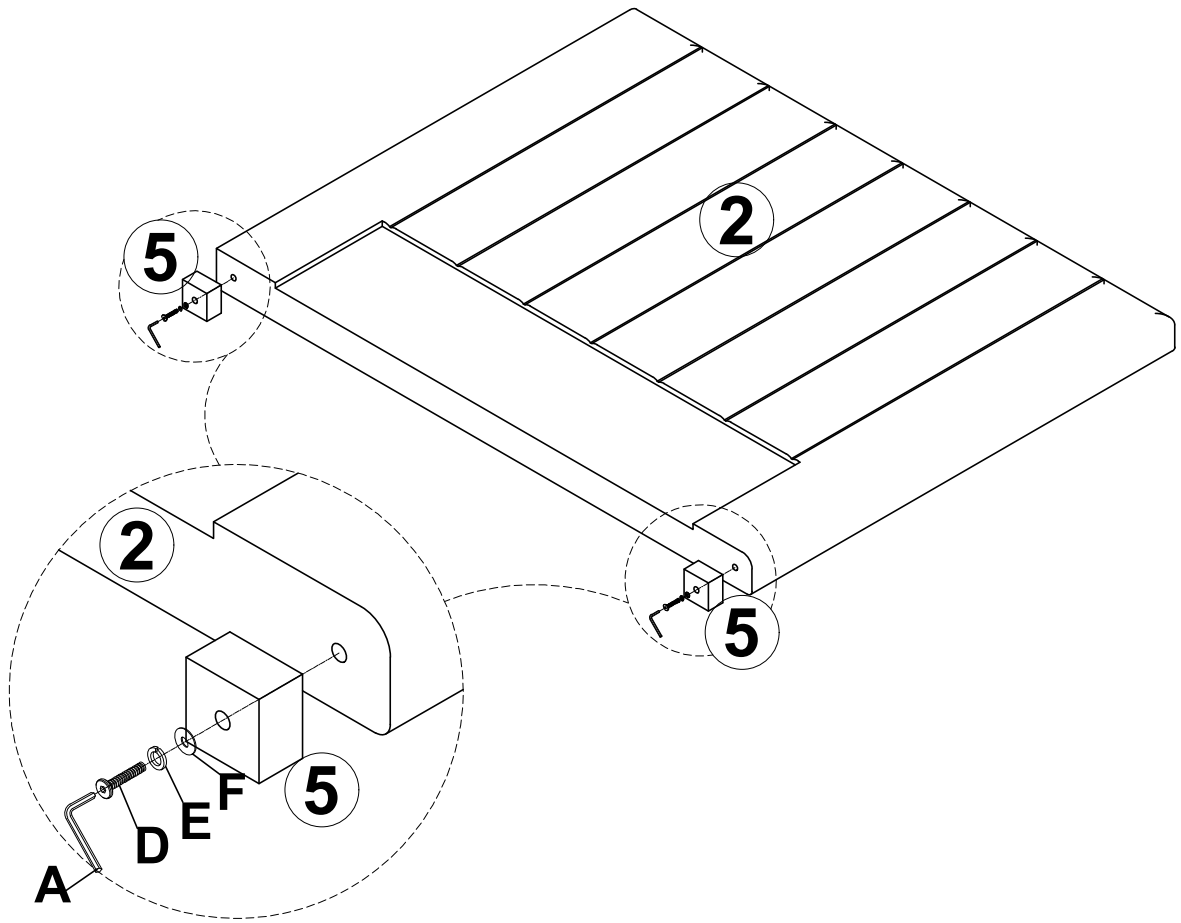
STEP 2

G		F		E		D	
	2PCS		2PCS		2PCS		2PCS



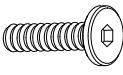


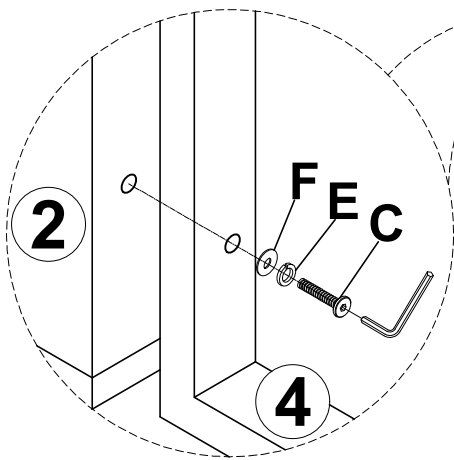
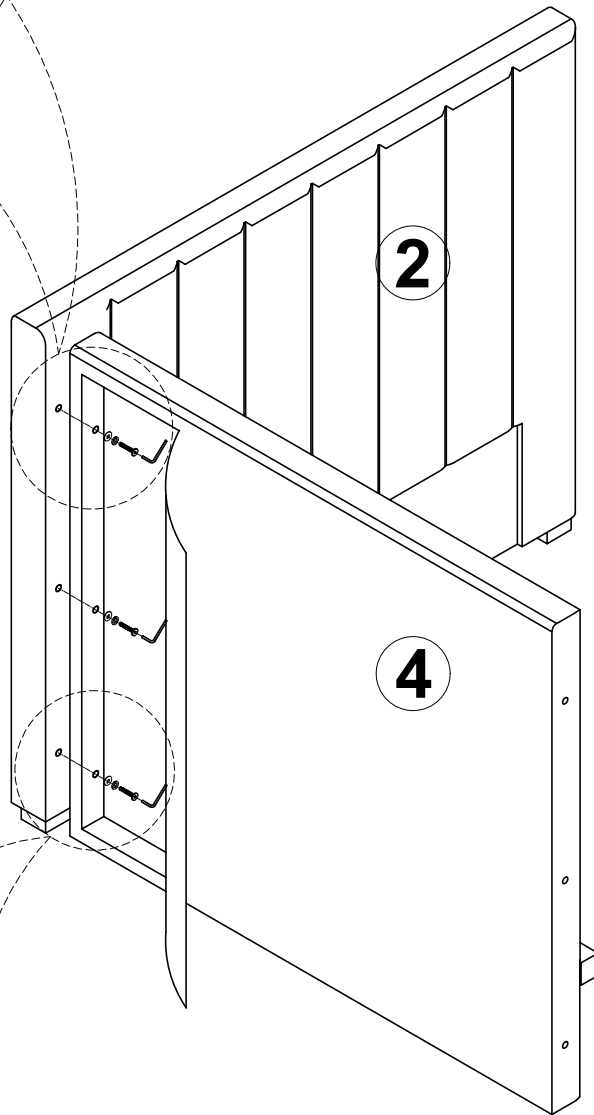
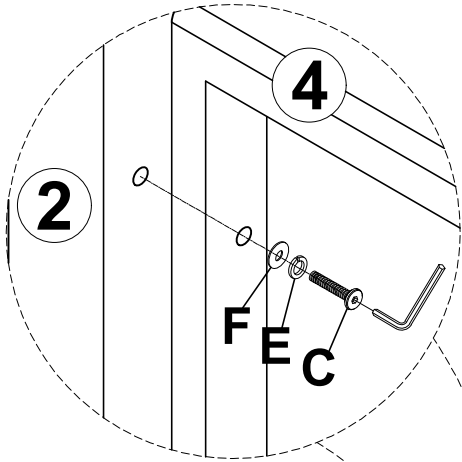
STEP 3

F		E		D	
2PCS		2PCS		2PCS	



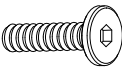


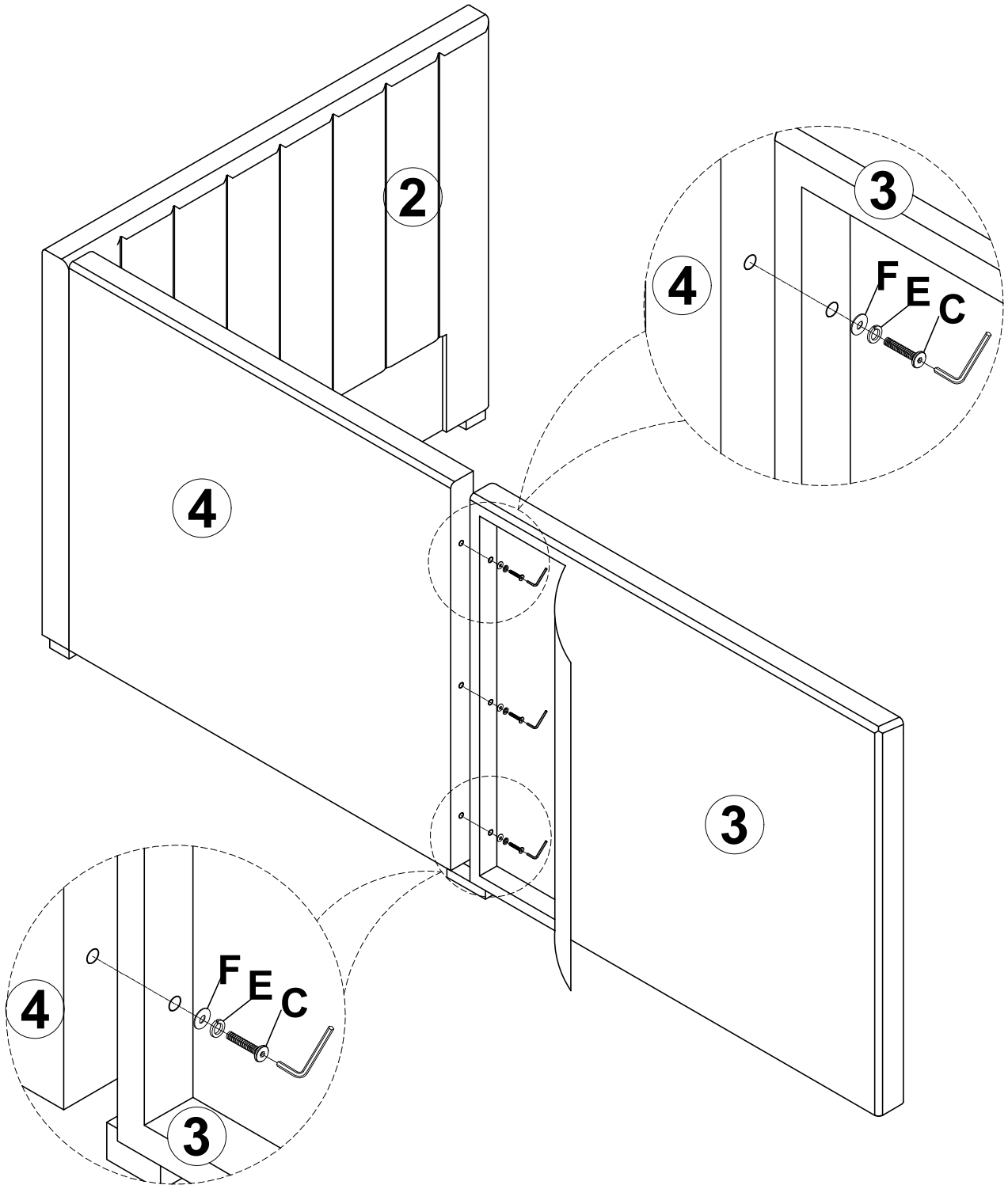
STEP 4

F		E		C	
3PCS		3PCS		3PCS	



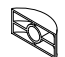


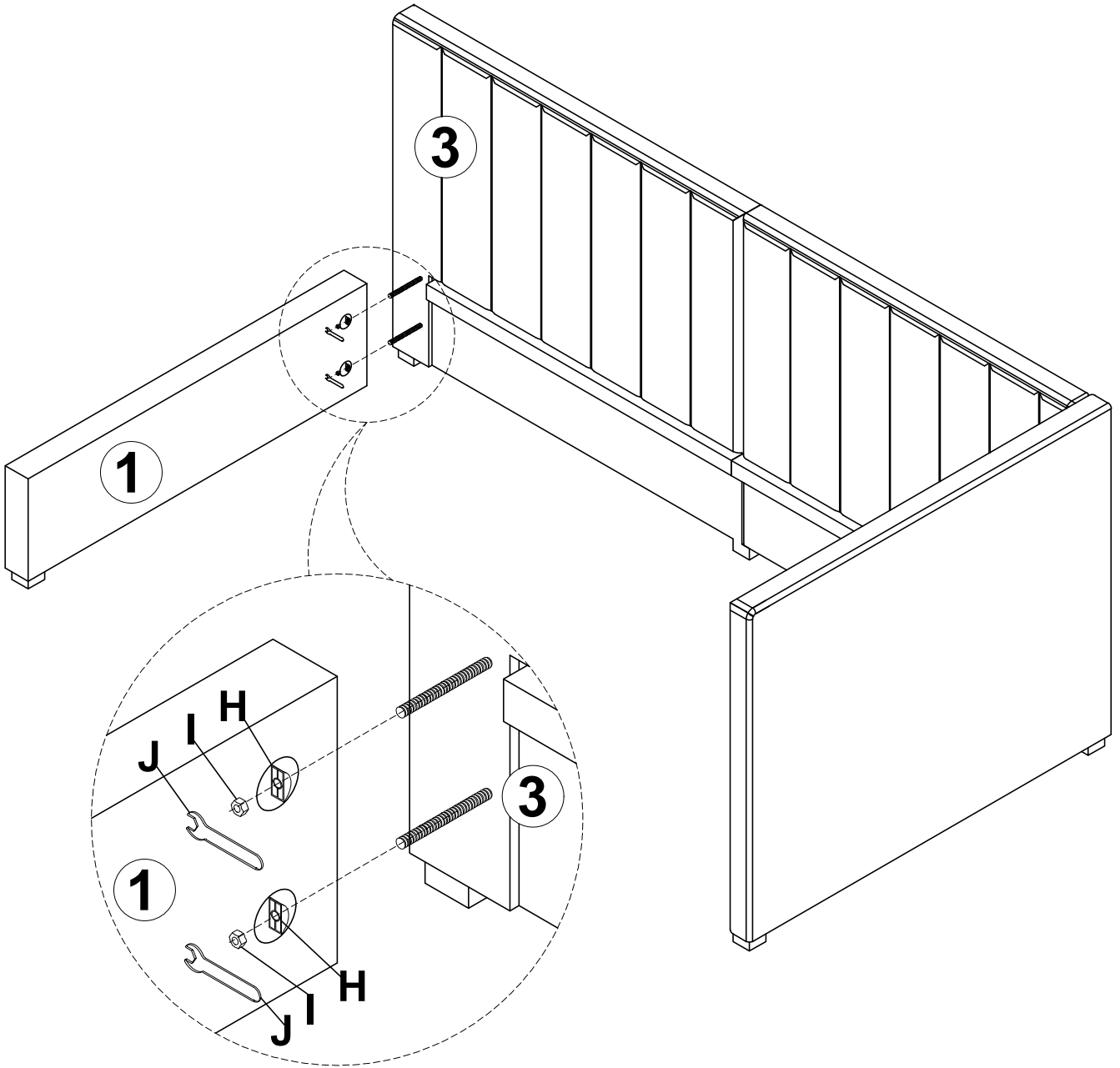
STEP 5

F 	E 	C 
3PCS	3PCS	3PCS



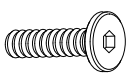


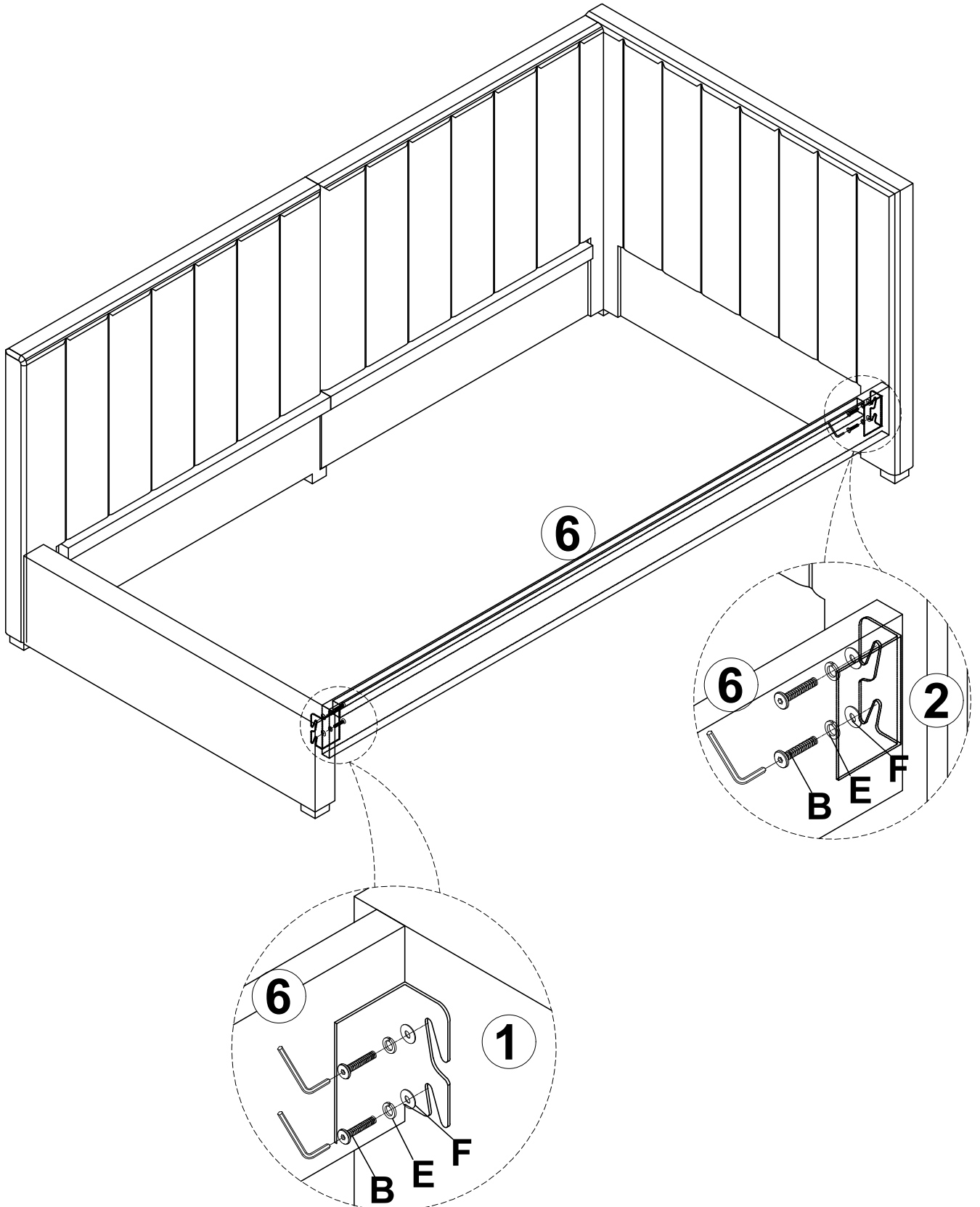
STEP 6

J		I		H	
1PC		2PCS		2PCS	



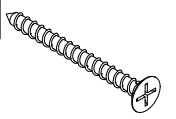
STEP 7

F 	E 	B 
4PCS	4PCS	4PCS

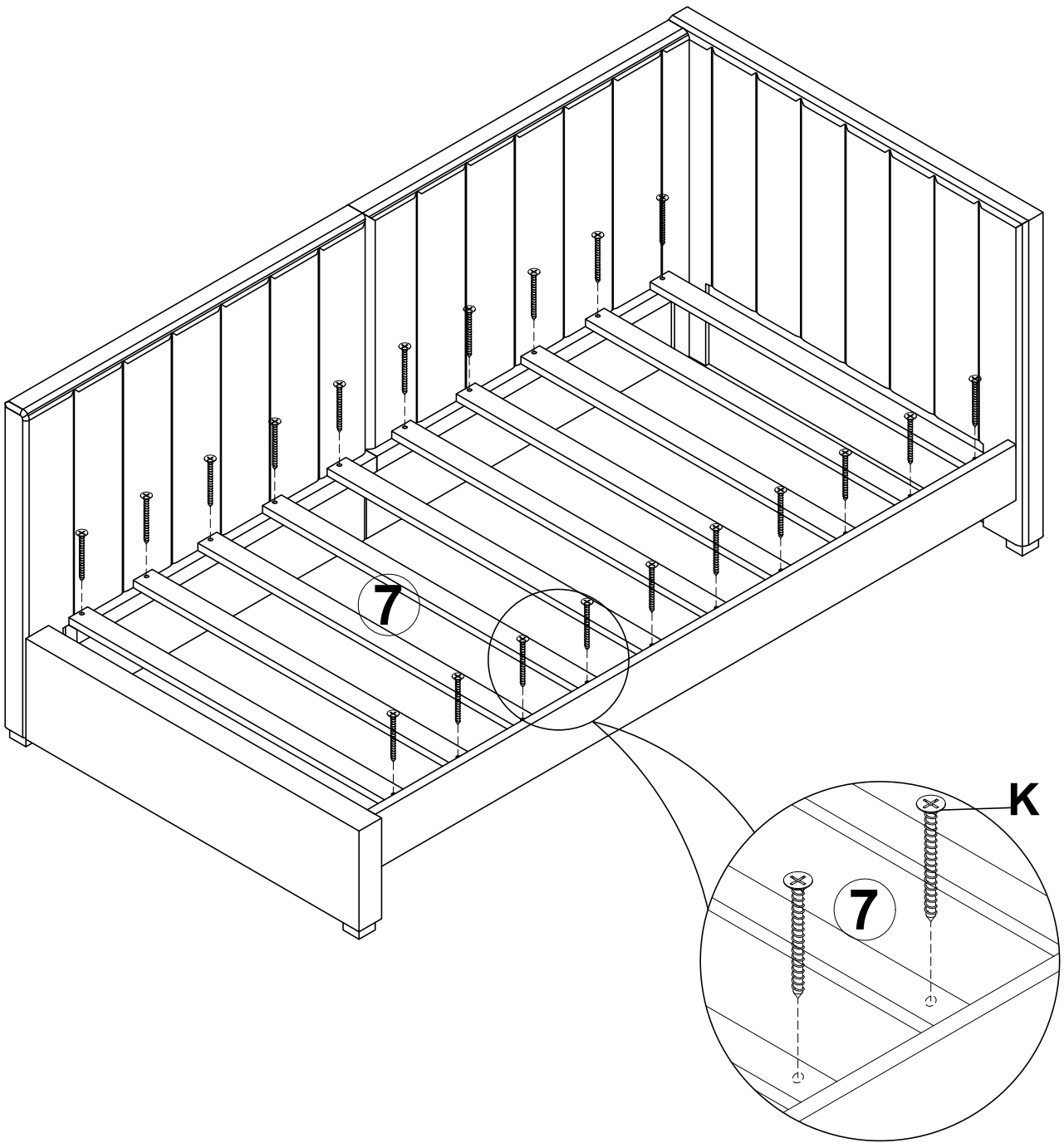


STEP 8

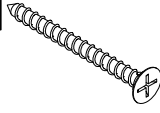
K

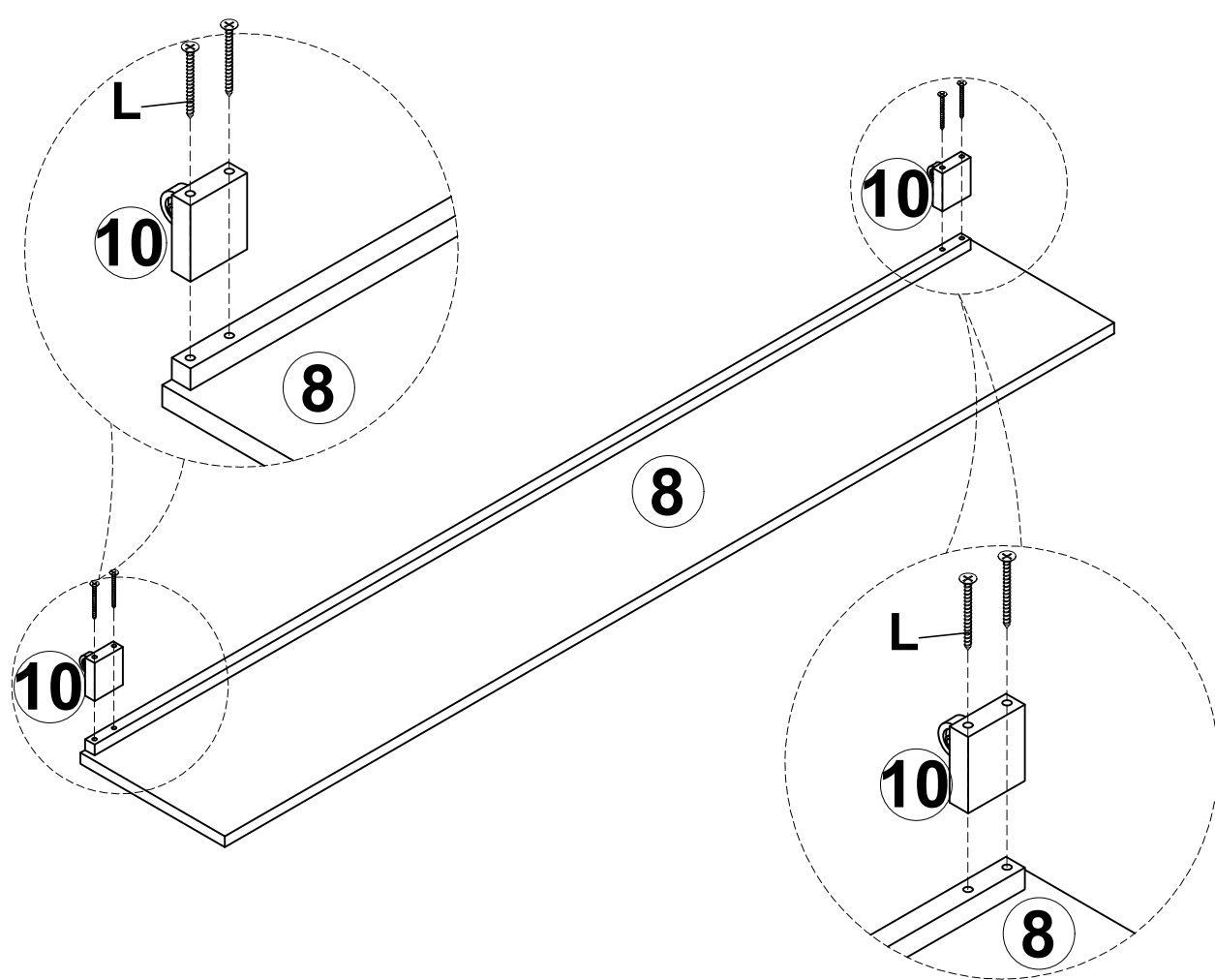
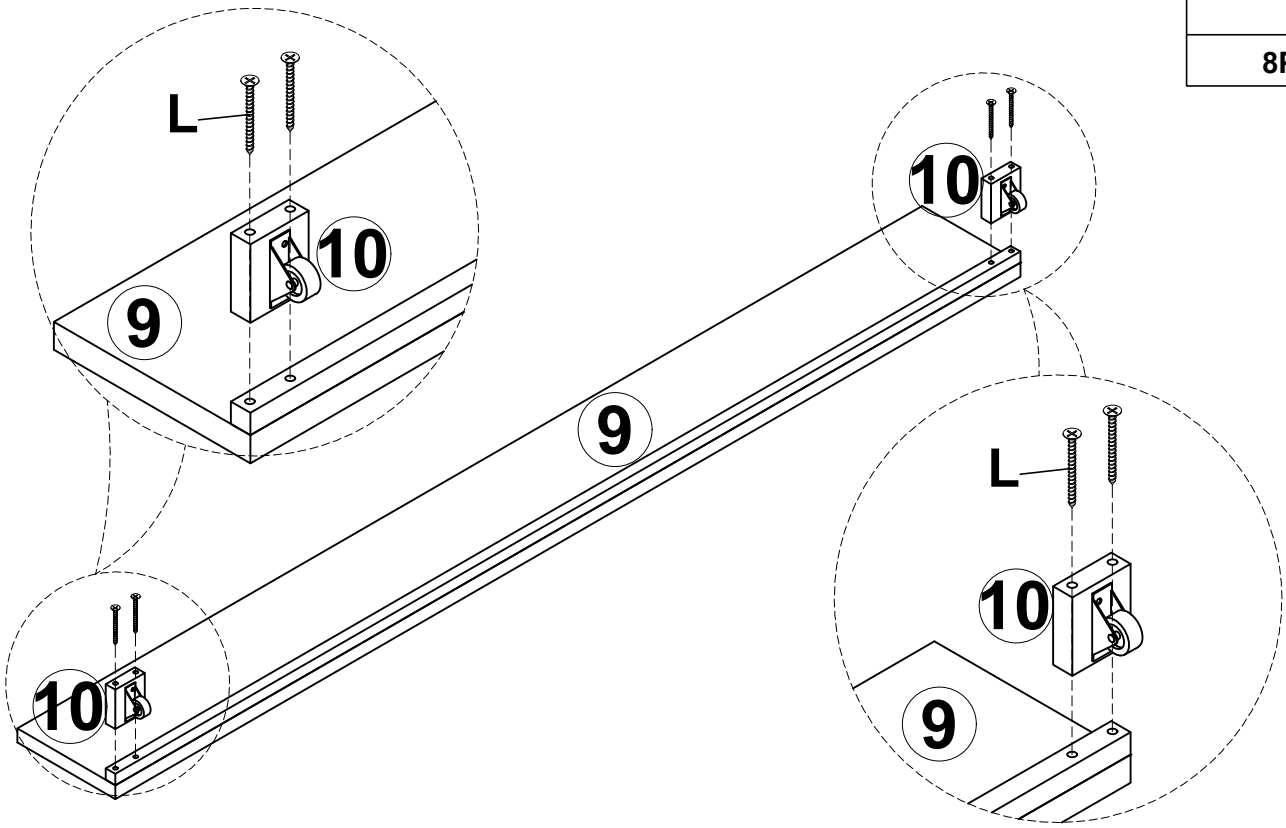


20PCS

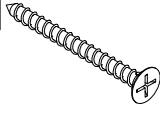


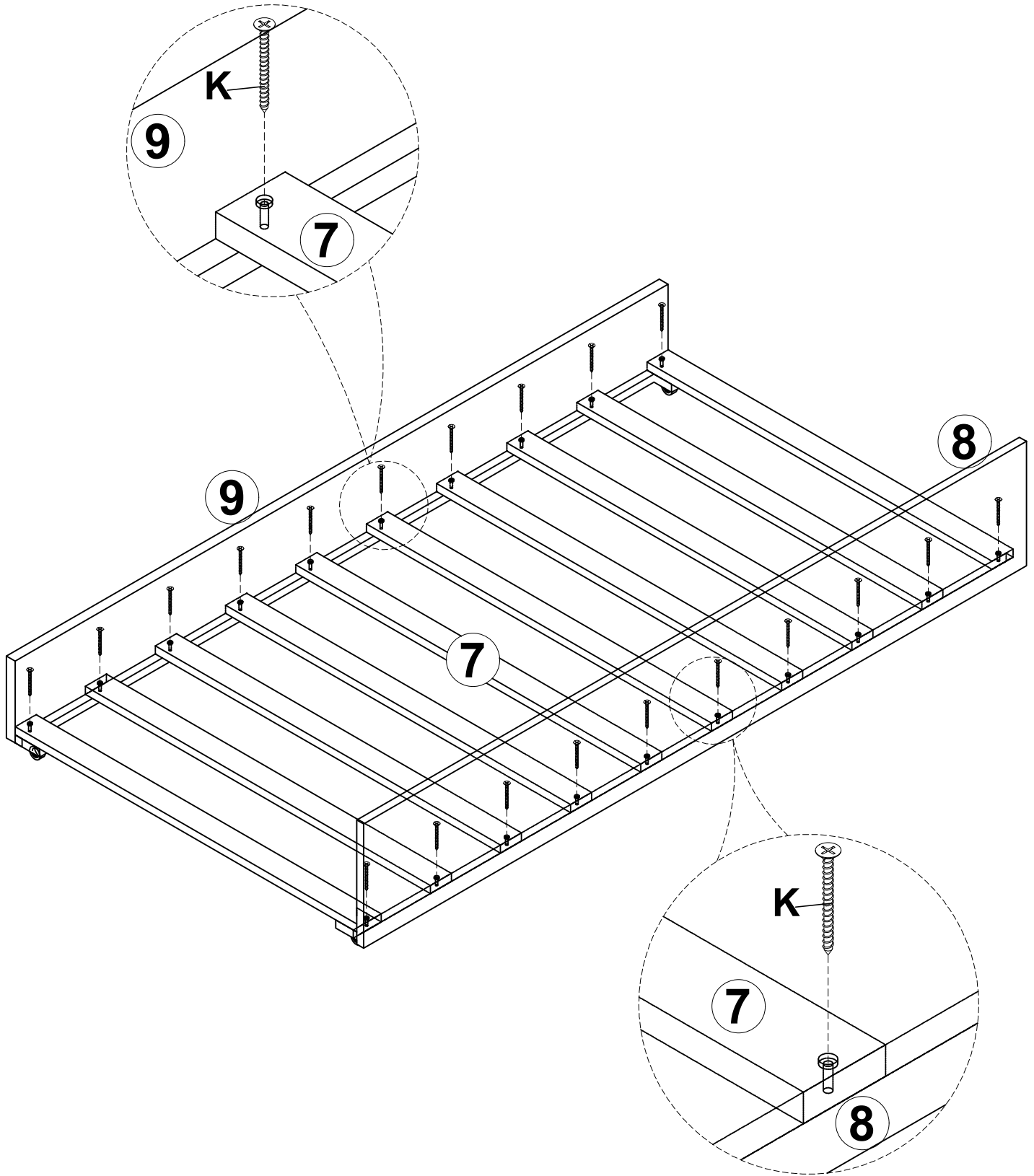
STEP 9

L 
8PCS

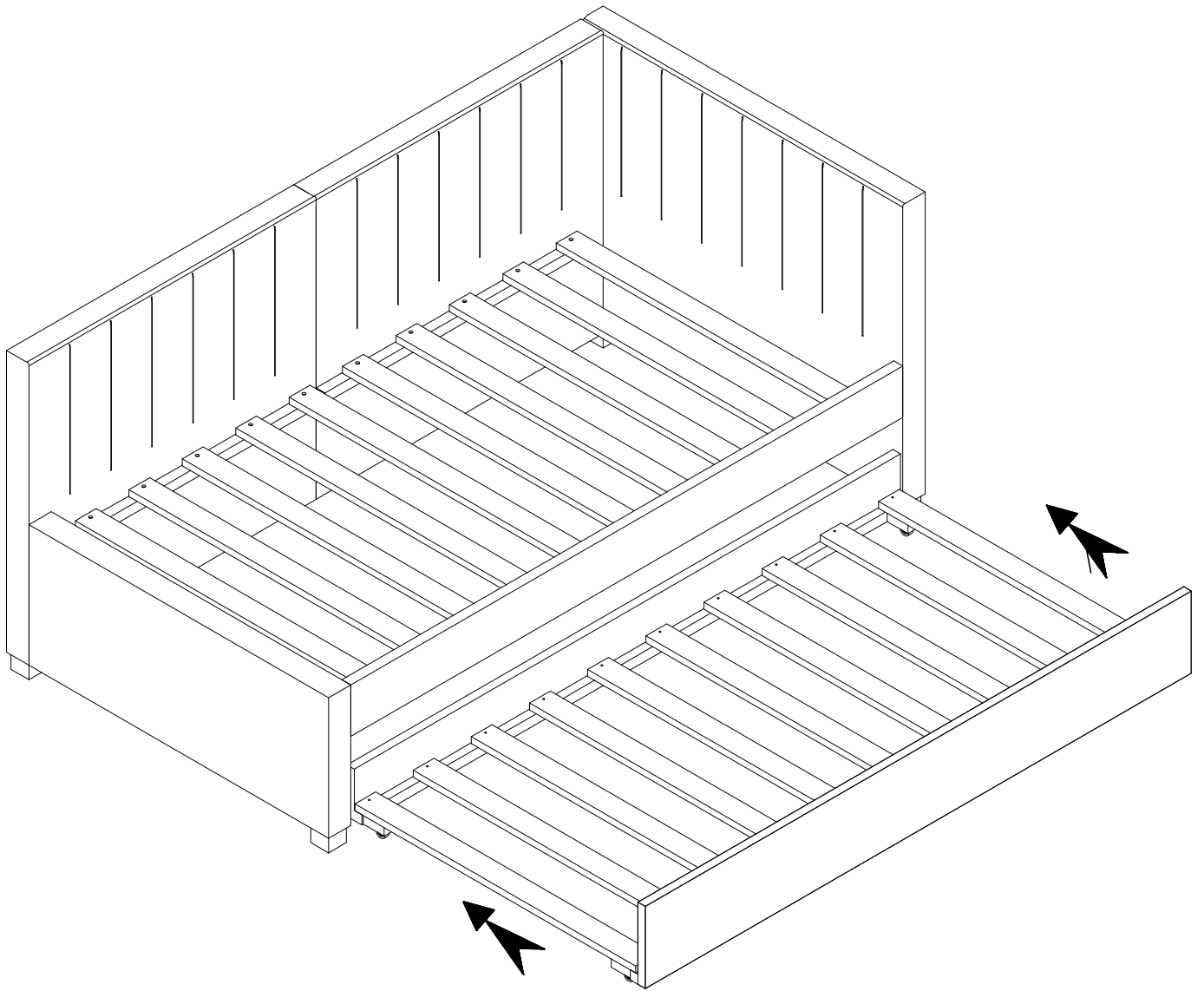


STEP 10

K	
20PCS	



STEP 11



STEP 12

