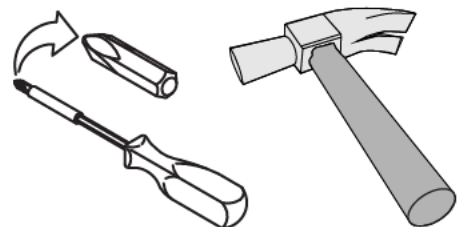
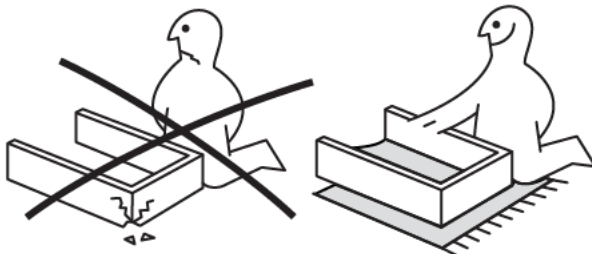
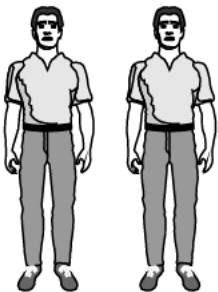
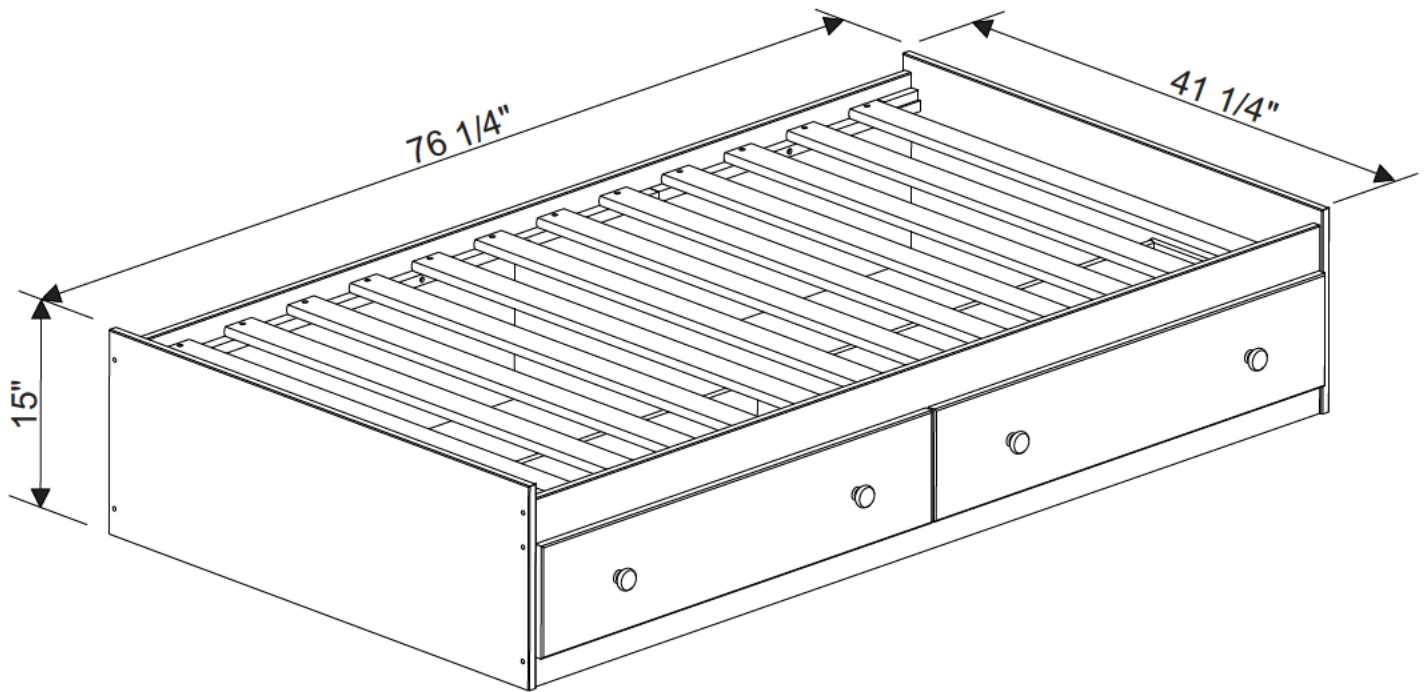


# ASSEMBLY INSTRUCTIONS

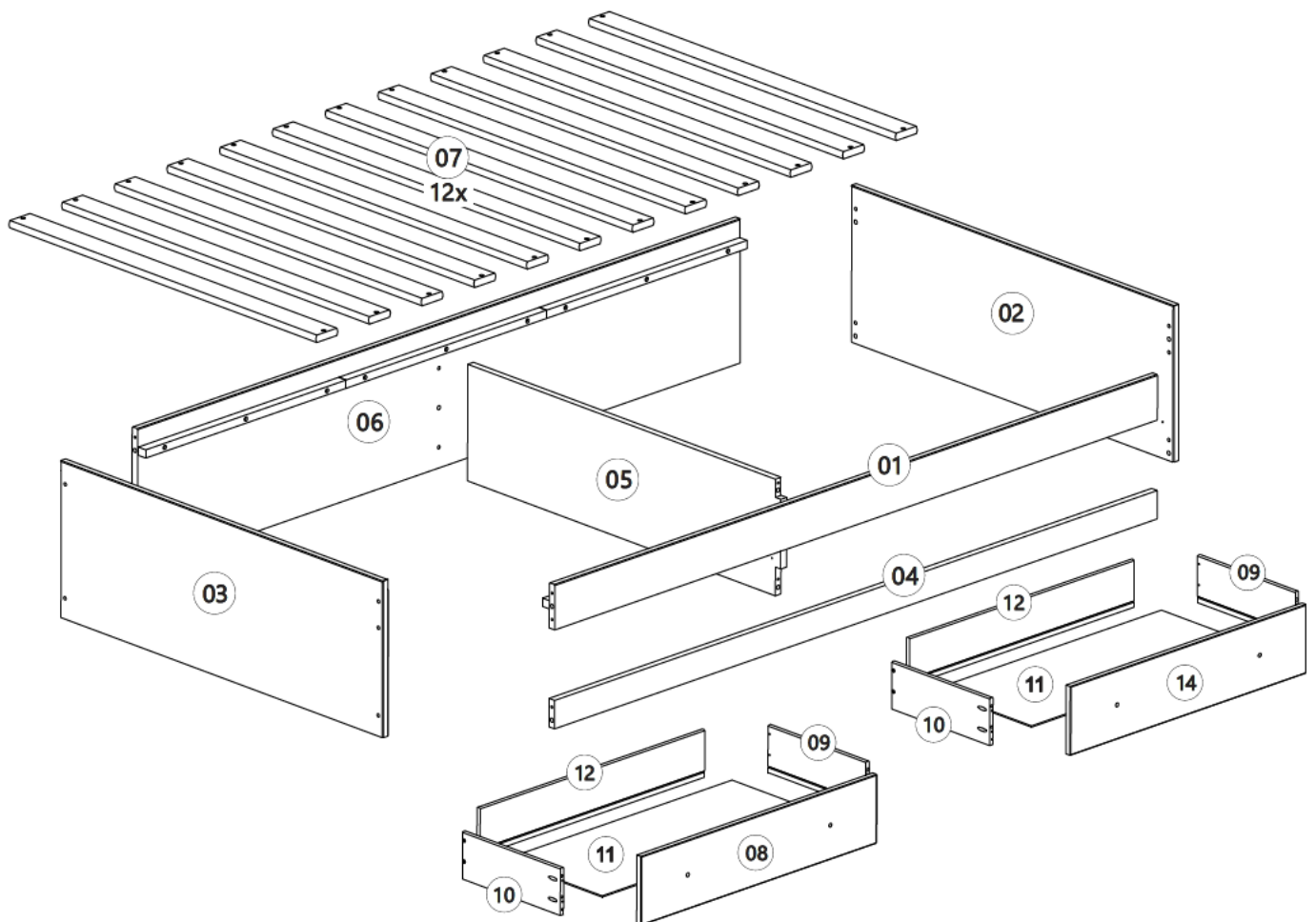
## TWIN MATE'S BED






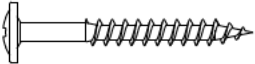

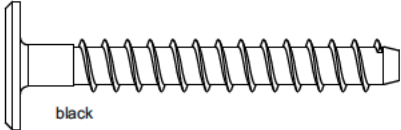
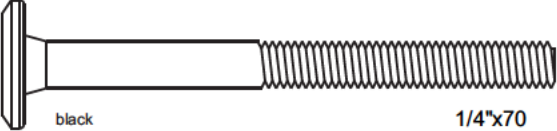
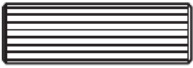

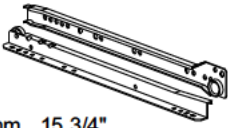




## IMPORTANT:

READ THESE INSTRUCTIONS CAREFULLY BEFORE ATTEMPTING TO ASSEMBLE OR USE YOUR FURNITURE.

- Please keep these instructions for future reference.
- Always check that the product is free from damage before use. Do not use your product if any damage is present.
- On unpacking the item you may notice an odour due to the production process. However, this will disappear after a period of time.
- Before you to assemble your product, first check if there are any missing or damaged parts.
- Do Not throw away packaging material until assembly is complete.
- If you organize the items by parts, you'll find it much easier to grab each piece as you build.
- It is best to use any tools the kit provides, such as a hex key, because they may be specially sized for that piece of furniture. We do not recommend the use of power drill, it can damage your furniture if not used correctly.
- This product it should be assembled as near as possible to the point of use. Take care when lifting to avoid personal injury and (or) damage to the product.
- To avoid damages assemble the item on a soft, clean surface.
- Always use on a level, even surface It is recommended that two people handle and assemble the item.
- Do not place the item next to a radiator or direct sunlight – this item is manufactured in pine but is susceptible to temperature change. It is recommended an even room temperature be maintained with no sudden fluctuations.

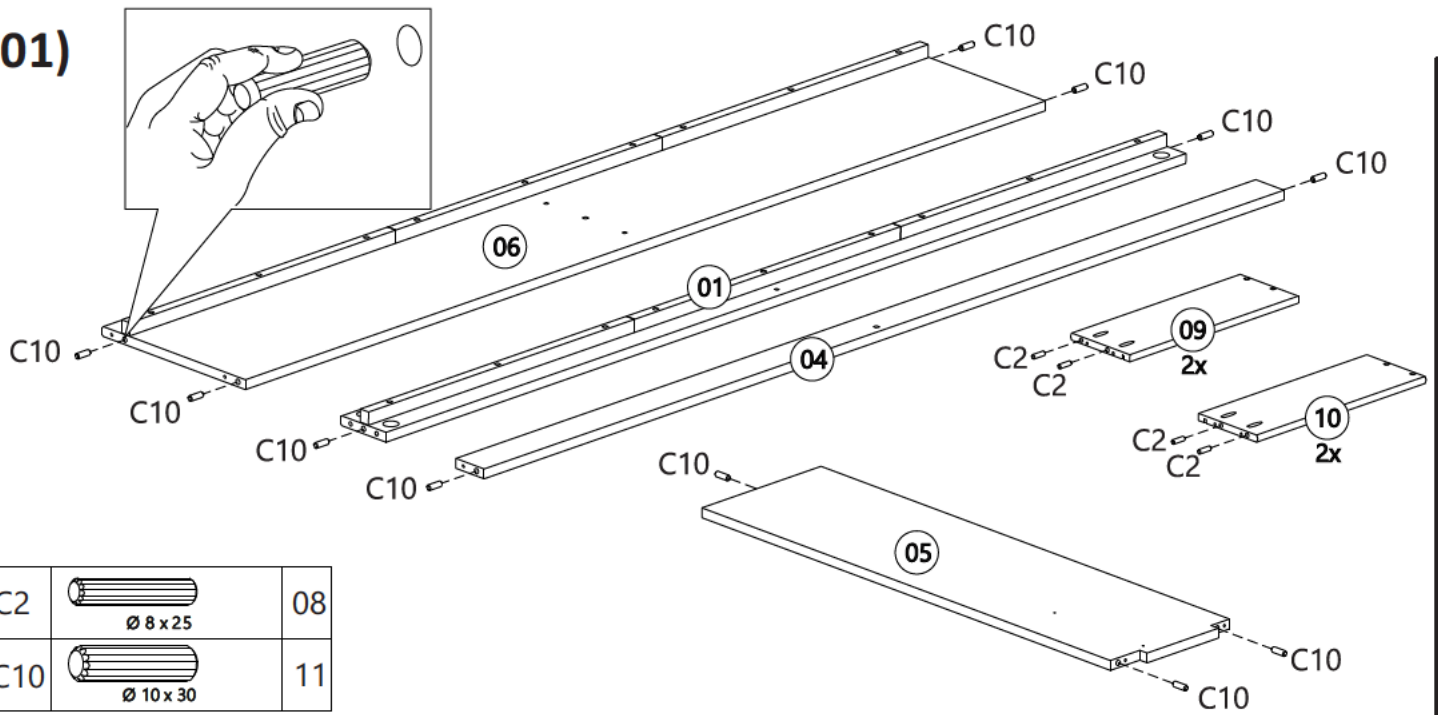



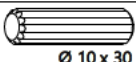
SCREWS ARE SHOWN IN ACTUAL SIZE

A1		4,0x30	18+1
A4		3,5x14	20+1
A10		3,5x30	24+1
A41		4,0x30	04+1
B5		1/4"	04+1
B8	 black	7,0x50	08
B18	 black	1/4"x70	04
C2		8,0x25	08+1
C10		10x30	11+1
E3	 400mm 15 3/4"		02
E4	 400mm 15 3/4"		02
G3			01
G4	 space block		02
H1			04

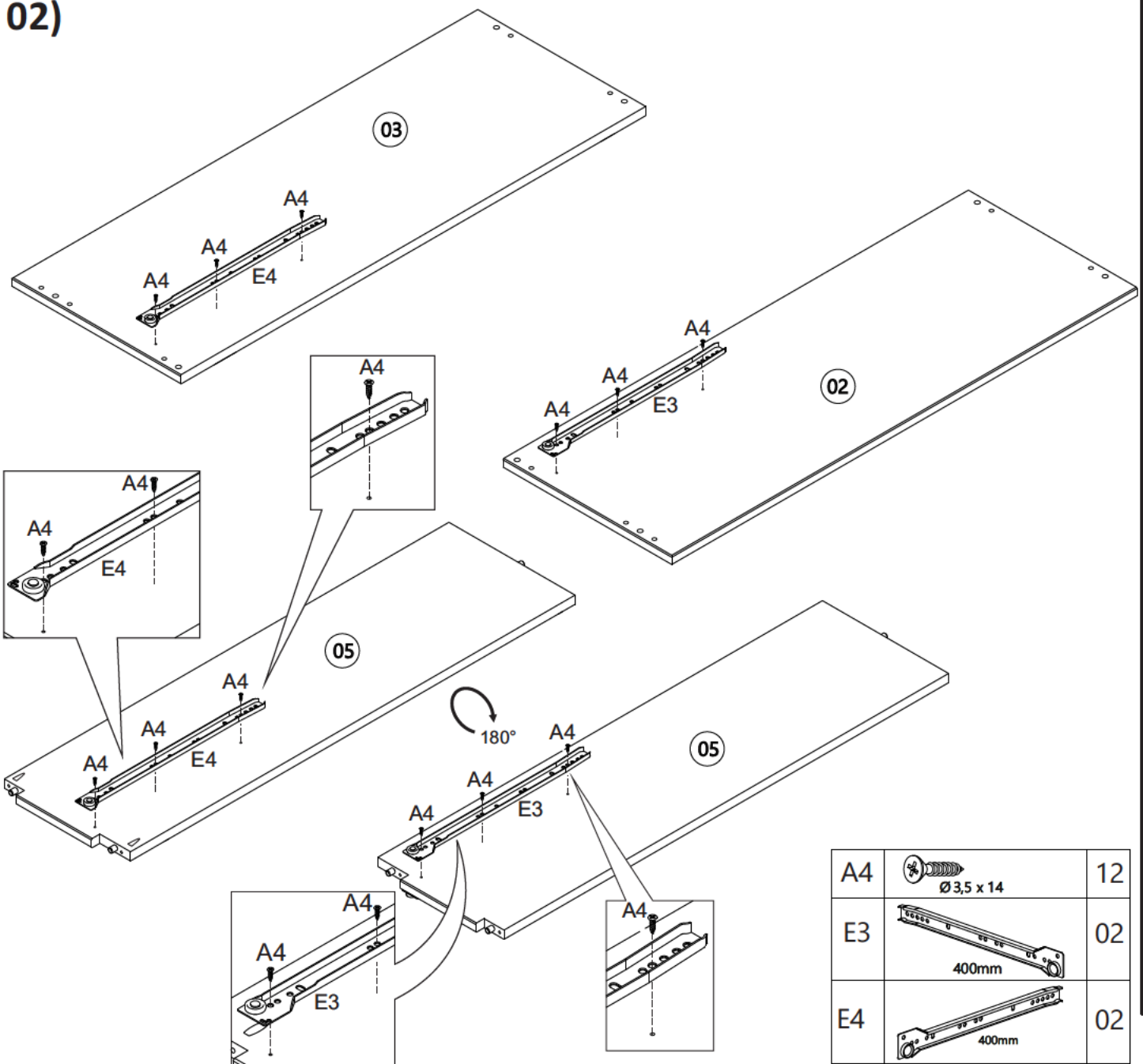
**WARNING:**  
 **CHOKING HAZARD**  
 - Small Parts, not for Children.  
 To be Assembled by an Adult.


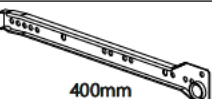
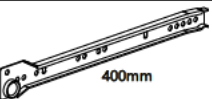
01)



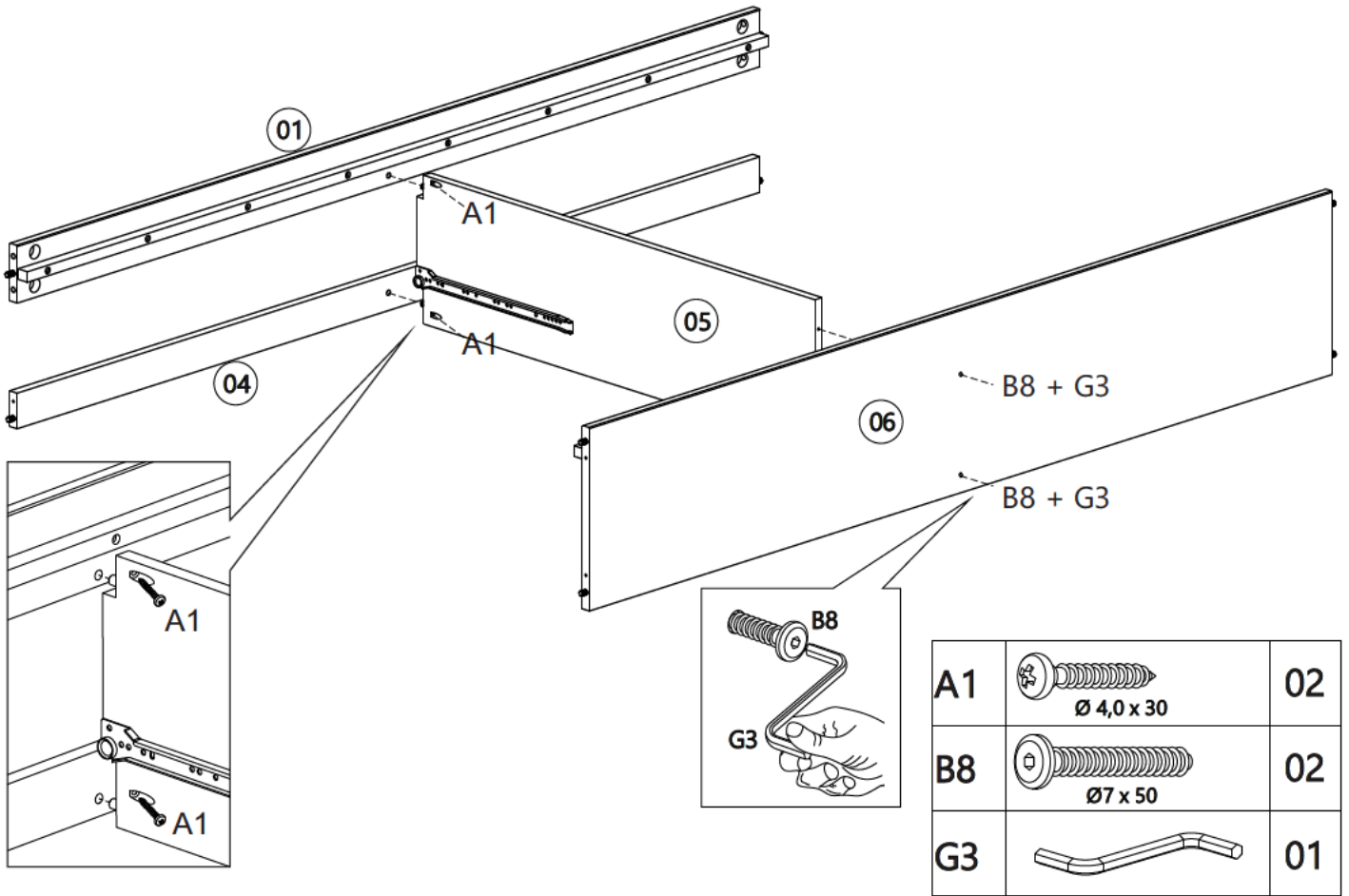
C2		08
C10		11

02)

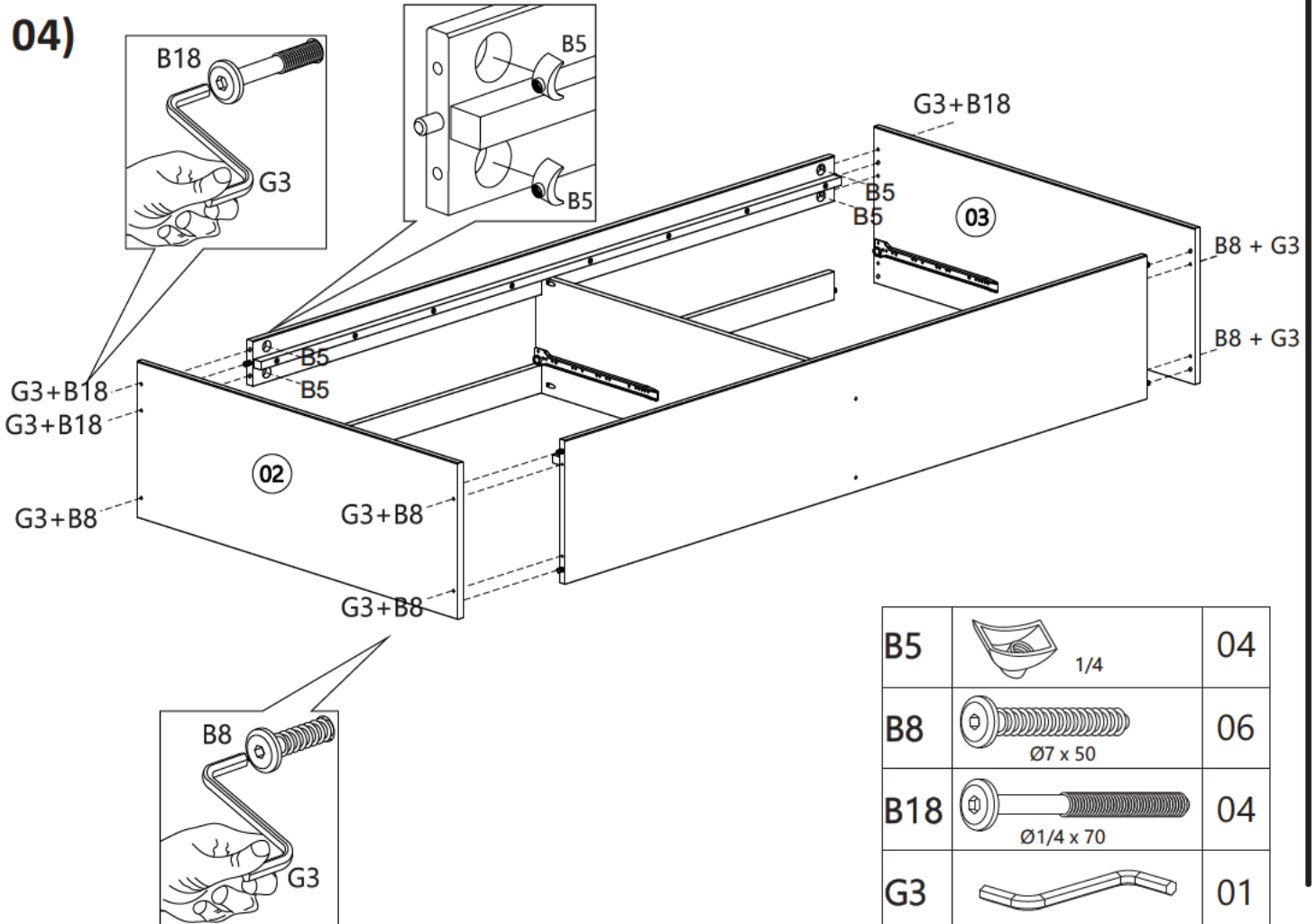


A4		12
E3		02
E4		02

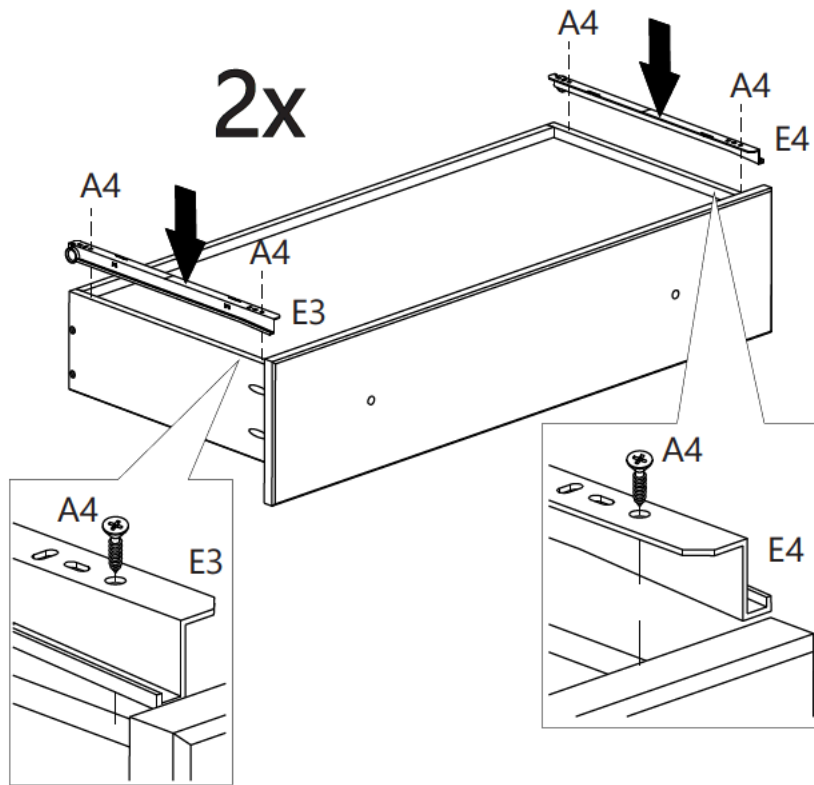
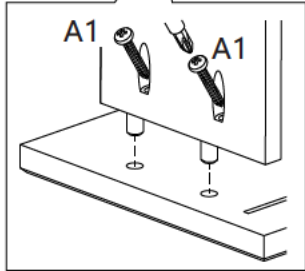
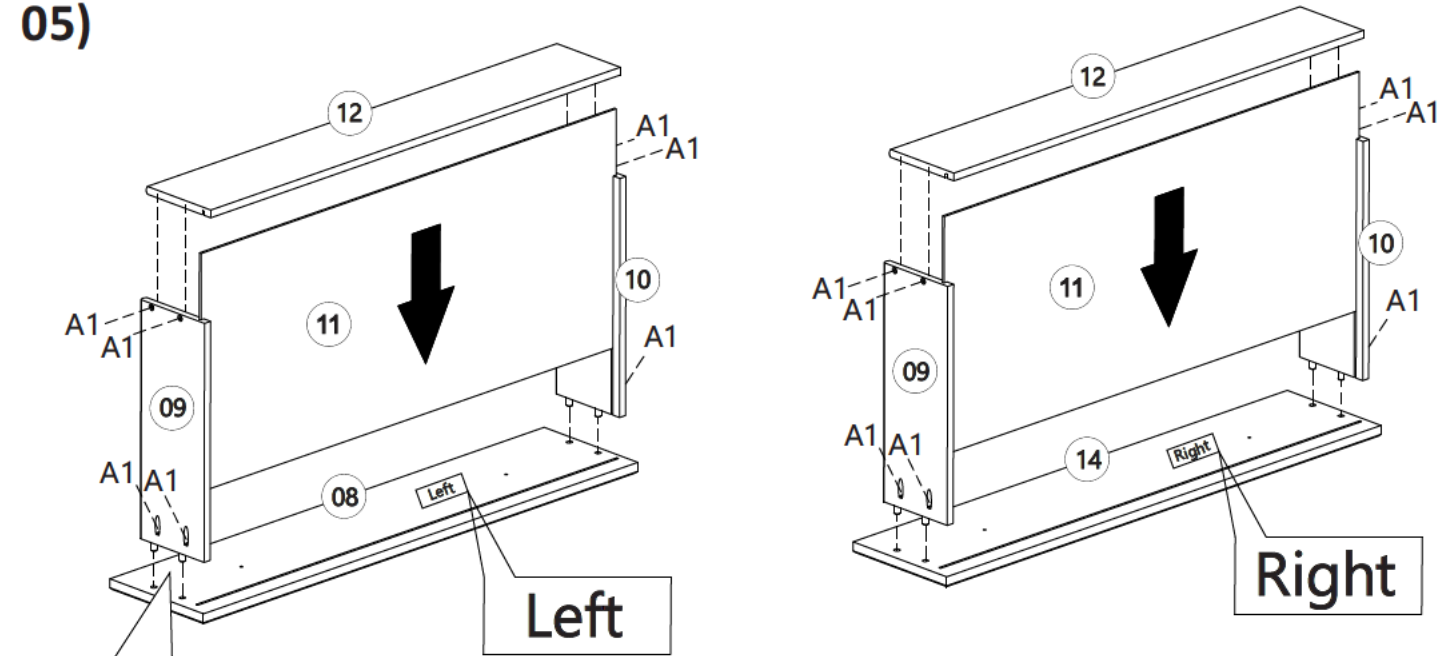
### 03)


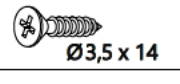
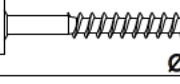
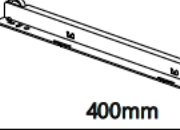
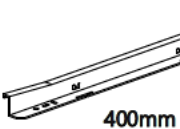
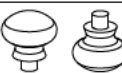


### 04)



05)



A1	 Ø 4,0 x 30	16
A4	 Ø 3,5 x 14	08
A41	 Ø 4,0 x 30	04
E3	 400mm	02
E4	 400mm	02
H1		04

