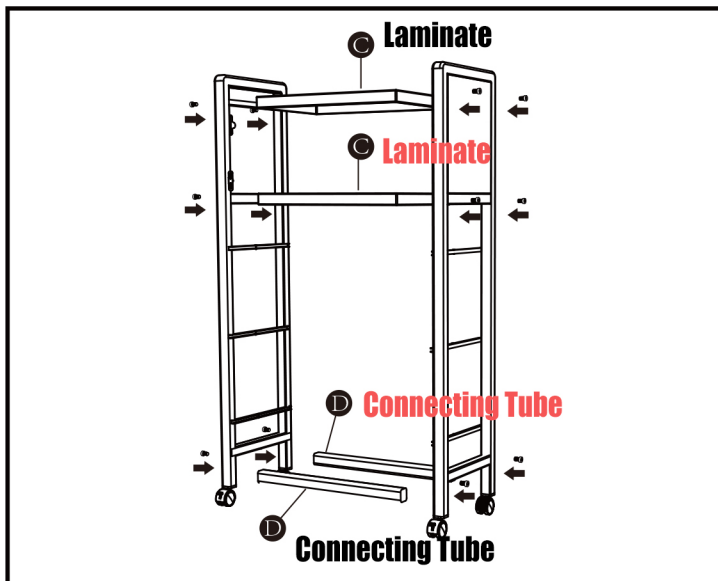
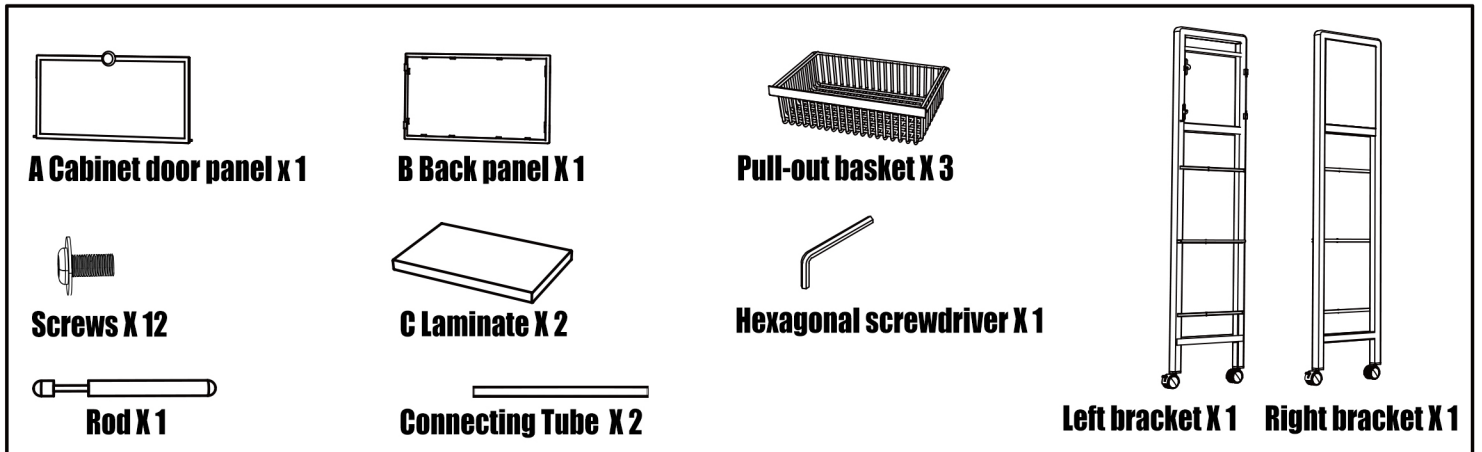
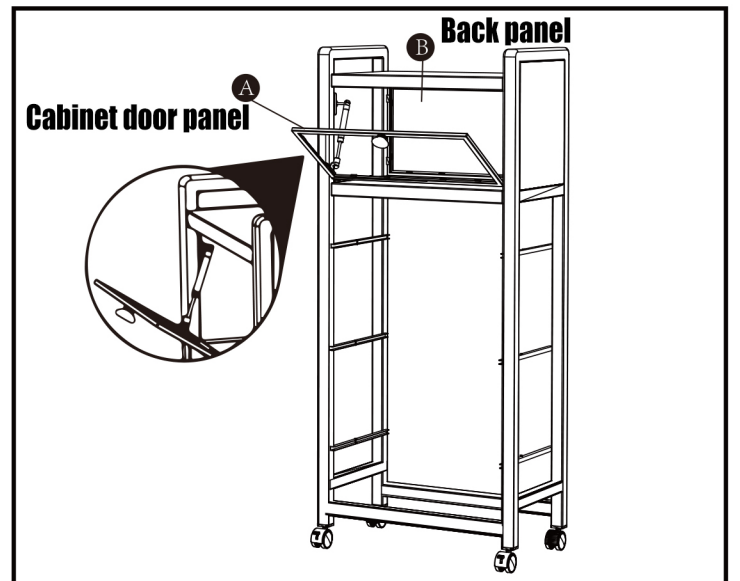


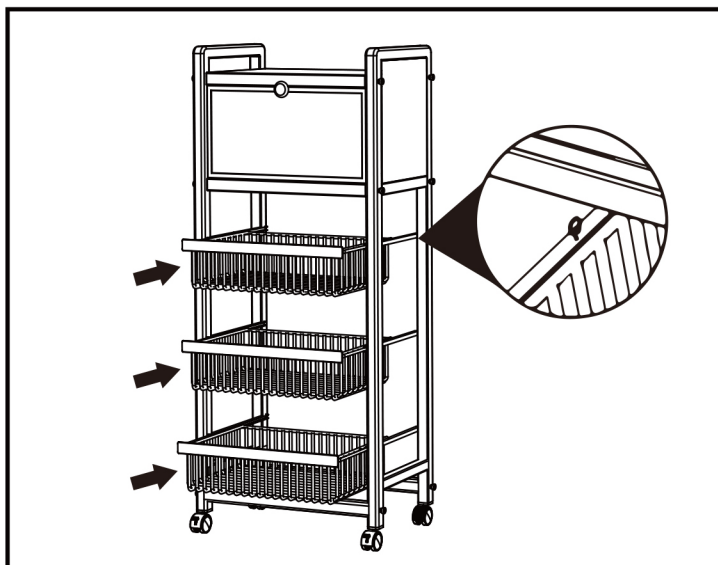
INSTALLATION MANUAL



1. Install two C-layer boards and two D-connecting pipes on the bracket in sequence, and tighten the screws



2. Fix the holes on the left and right side net door A, install the back panel of cabinet B in a snap in manner, and fix the cabinet door support rod



3. Install the pull-out basket and locate it with pins



4. Installation completed