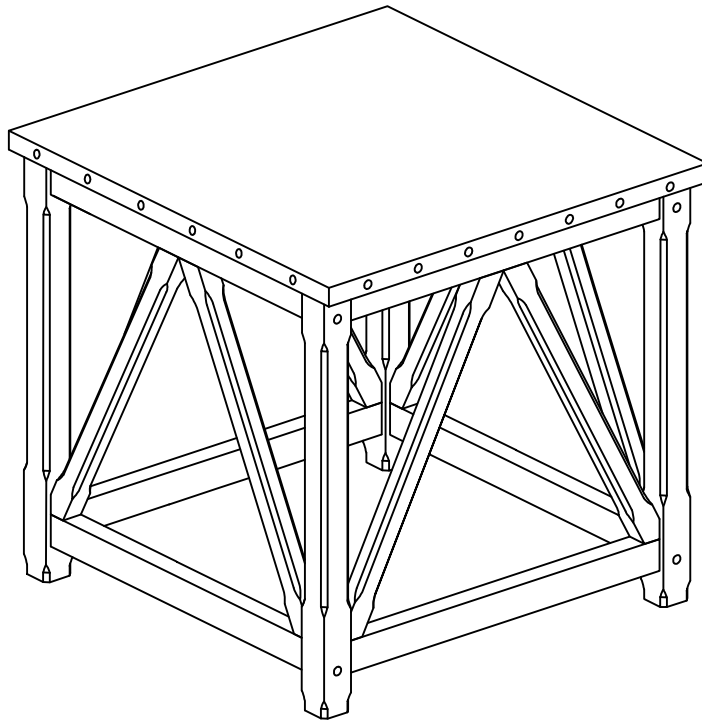


Furniture of America™

Assembly Instructions

CM4533E

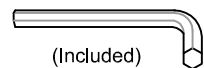


ASSEMBLY RATING

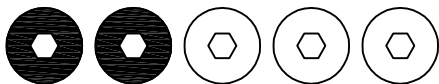
The Assembly Rating is a 5-point system that shows the degree of effort needed in assembling a specific product (with 1 being easy and 5 being difficult). For some products, two persons are recommended.

Tools Required For Assembly:

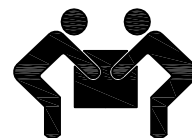
Allen Wrench



EASY



DIFFICULT



2 PERSONS RECOMMENDED

ASSEMBLY & CARE ADVICE

FOR YOUR FURNITURE TO LAST, CORRECT ASSEMBLY AND PROPER MAINTENANCE ARE NECESSARY. PLEASE FOLLOW THE INFORMATION PROVIDED BELOW TO FULLY ENJOY YOUR FURNITURE.

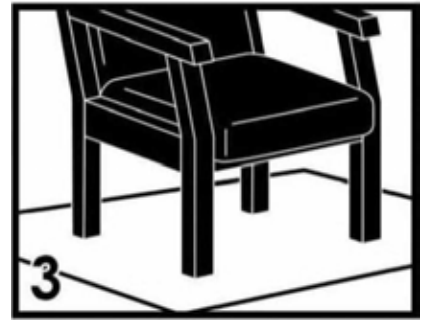
BASIC ASSEMBLY TECHNIQUES



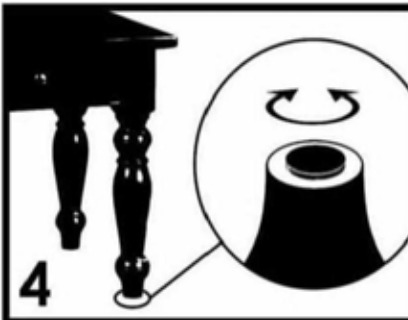
When lock or spring washer is used in an assembly, please make sure the lock or spring washer is placed between the larger flat washer and the head of the screw or bolt.



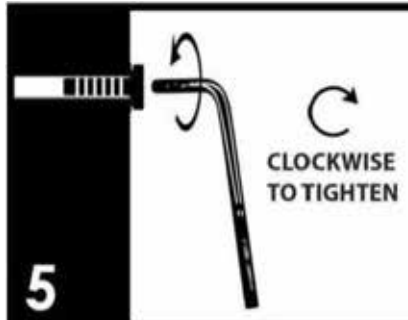
Position each part correctly and insert screws or bolts into their respective holes by hand tighten or using the proper hand tool. Only tighten when step is completed or when instructed to do so.



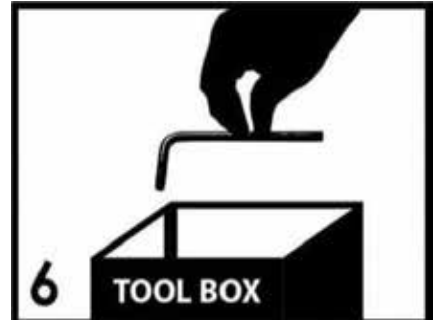
Use cardboard or carpet area when assembling furniture to prevent scratches. Make sure the furniture rests on a flat and level surface with each leg evenly touching the floor.



Some furniture comes with height adjustment knobs underneath each leg. To lower or to raise each leg, you need to turn clockwise or counterclockwise, respectively.

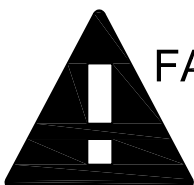


Make sure all parts are properly aligned, then use the appropriate hand tool to completely tighten the bolts or screws. Do not use power tools and do not overtighten.



Save the instructions and store the Allen wrench or any supplied tool for later maintenance. After two weeks, check and tighten any loose hardware and repeat again every six months thereafter.

IT IS THE USER'S RESPONSIBILITY TO MAINTAIN THE FURNITURE. THE HARDWARE MAY LOOSEN OVER TIME AND MAY CAUSE THE FURNITURE TO BE WOBBLY AND UNABLE TO SUPPORT ITS INTENDED WEIGHT CAPACITY. THIS MAY LEAD TO COLLAPSE AND MAY CAUSE SERIOUS INJURY.



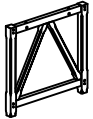
FAILURE TO FOLLOW THE GUIDELINES ABOVE MAY RESULT IN INJURY AND/OR PROPERTY DAMAGE.



Before you begin, please read Page 2 of "Assembly and Care Advice".

And remember, do not tighten until each step is completed or instructed.

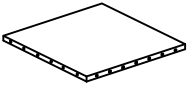
Parts List



#1 x 2pcs
Front and rear frame



#2 x 2pcs
Side Panel



#3 x 1pc
Top Panel

Hardware List



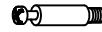
#A x 8pcs
Bolt with Washers



#B x 8pcs
Wood Cap



#C x 1pc
Allen Wrench



#D x 8pcs
Cam bolts

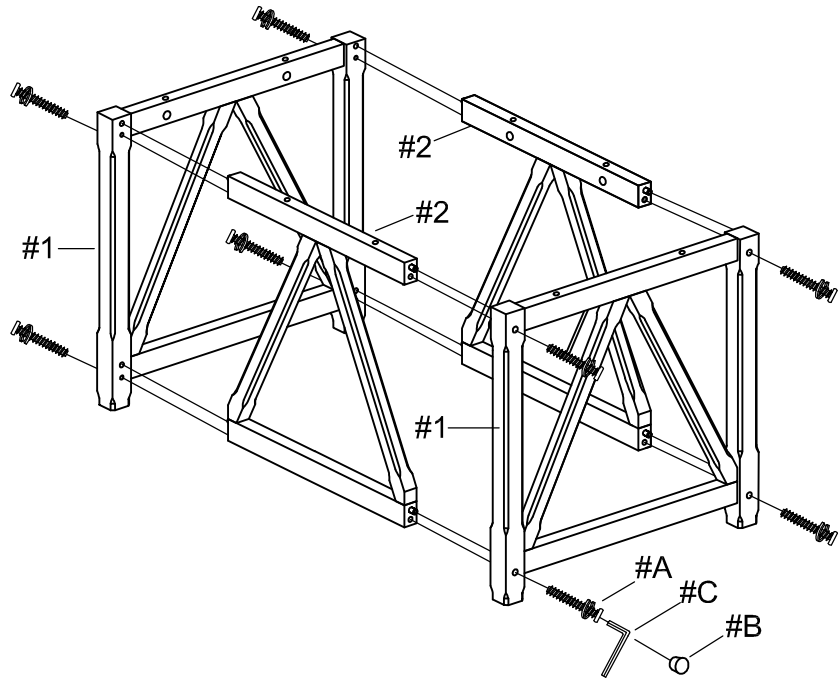


#E x 8pcs
Cam lock



#A x 8pcs
#B x 8pcs

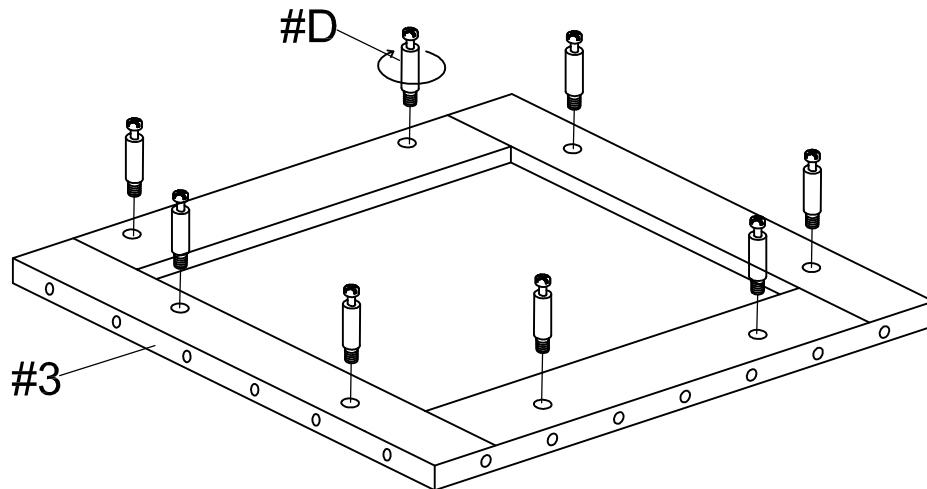
- I. Align the pre-drilled holes on the front and rear frame (#1) with the two side panels (#2).
- II. Insert bolt with washers (#A) into the pre-drilled holes along the sides to connect the front and rear frame (#1) to the two side panels (#2). Secure using the Allen wrench (#C). Repeat process on the remaining bolts with washers (#A).
- III. Apply wood caps (#B) on all the bolts with washers (#A).



Apply 8 cam bolts (#D) onto the pre-drilled holes located under the top panel (#3).

#D x 8pcs

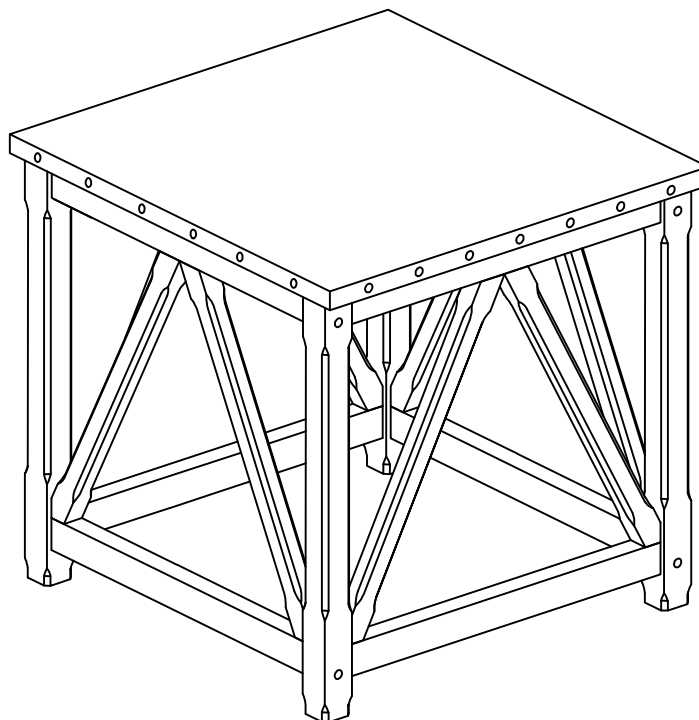
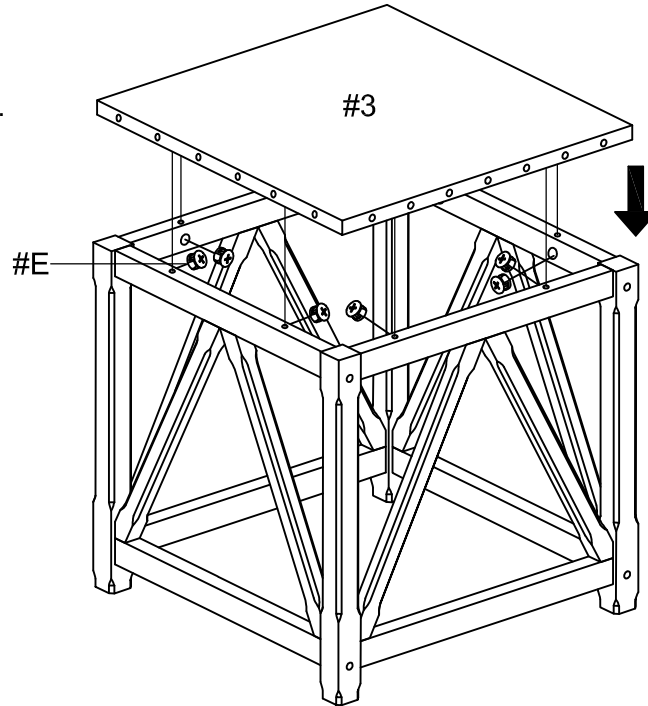
Turn right (clockwise) to tighten





#E x 8pcs

- I. Insert cam locks (#E) into the pre-drilled holes located in the inner part of the frame.
- II. Insert the cam bolts (#D) located on the top panel (#3) into the pre-drilled holes connected to the cam lock (#E). Secure cam lock (#E) using a Phillips screwdriver.



ASSEMBLY IS COMPLETED