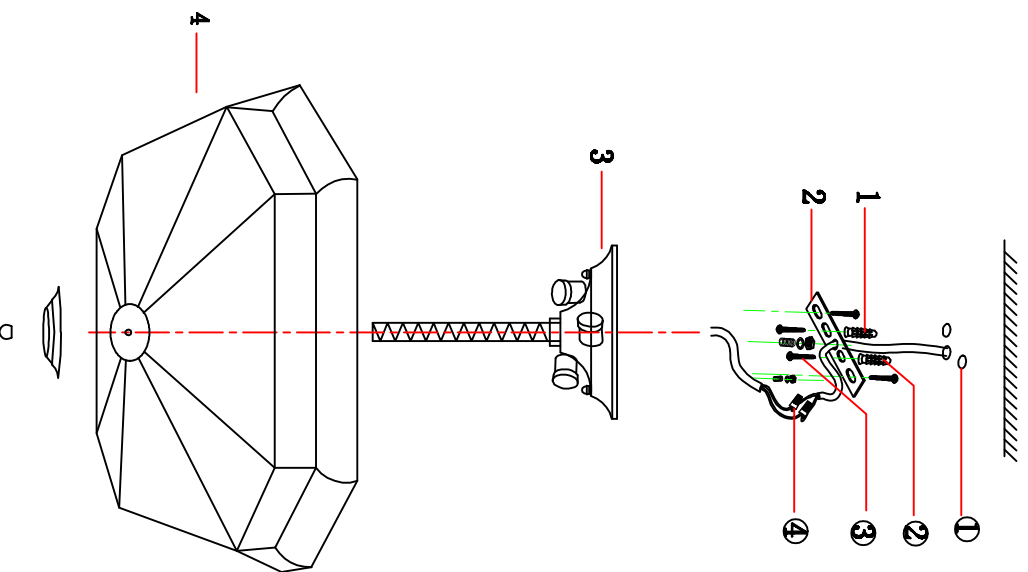


INSTALLATION



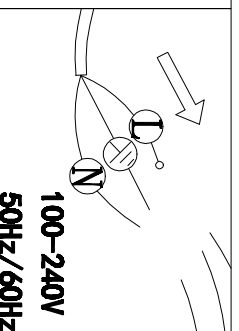
- Installation:**
- ① Drill a hole in the ceiling.
 - ② Insert the expansion bolt in the ceiling.
 - ③ Mount the crissbar by screws.
 - ④ Connect the cable.
 - ⑤ Mount the bracket.
 - ⑥ Put the lamp shade and light source.
- Cautions:**
- ❖ Should be installed by professional person
 - ❖ After the cleaning and installation remember to cut the power off
 - ❖ Keep the lamps away from corrosive chemical and air such as acid and alkali.
 - ❖ Do not wash it with water, but wipe it clean with a soft cloth.

Accessory List

No	Part Name	Photo	QTY
1	Screw		1
2	hanging board		1
3	Light Source		1
4	The lampshade		1

Ceiling Lamp

100-240V
50Hz/60Hz
MAX: 60W



100-240V
50Hz/60Hz

