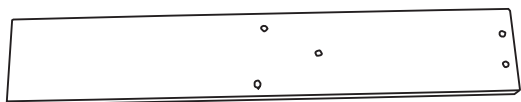


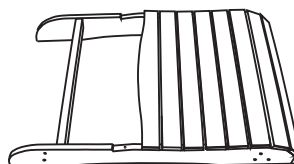
READ AND SAVE THIS INSTRUCTIONS FOR FUTURE USE

ASSEMBLY & INSTRUCTION MANUAL

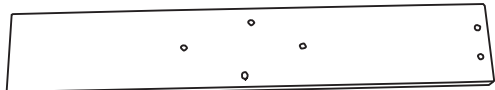
A X2



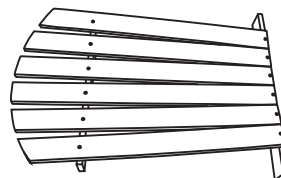
H X1



B X2



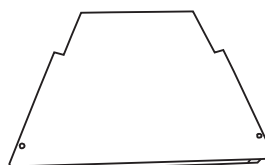
I X2



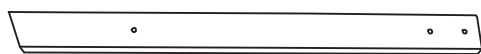
C X2



J X1



D X4

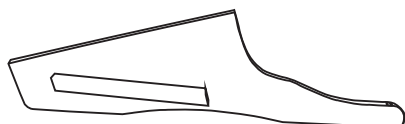


M6*80

K X4



E X2

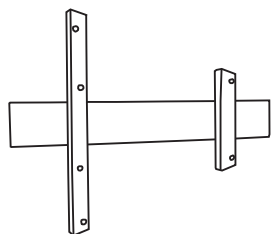


M6*50

L X30



F X1

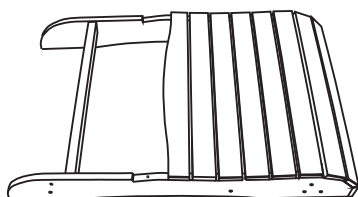


M6*60

M X2

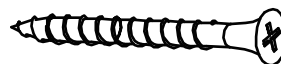


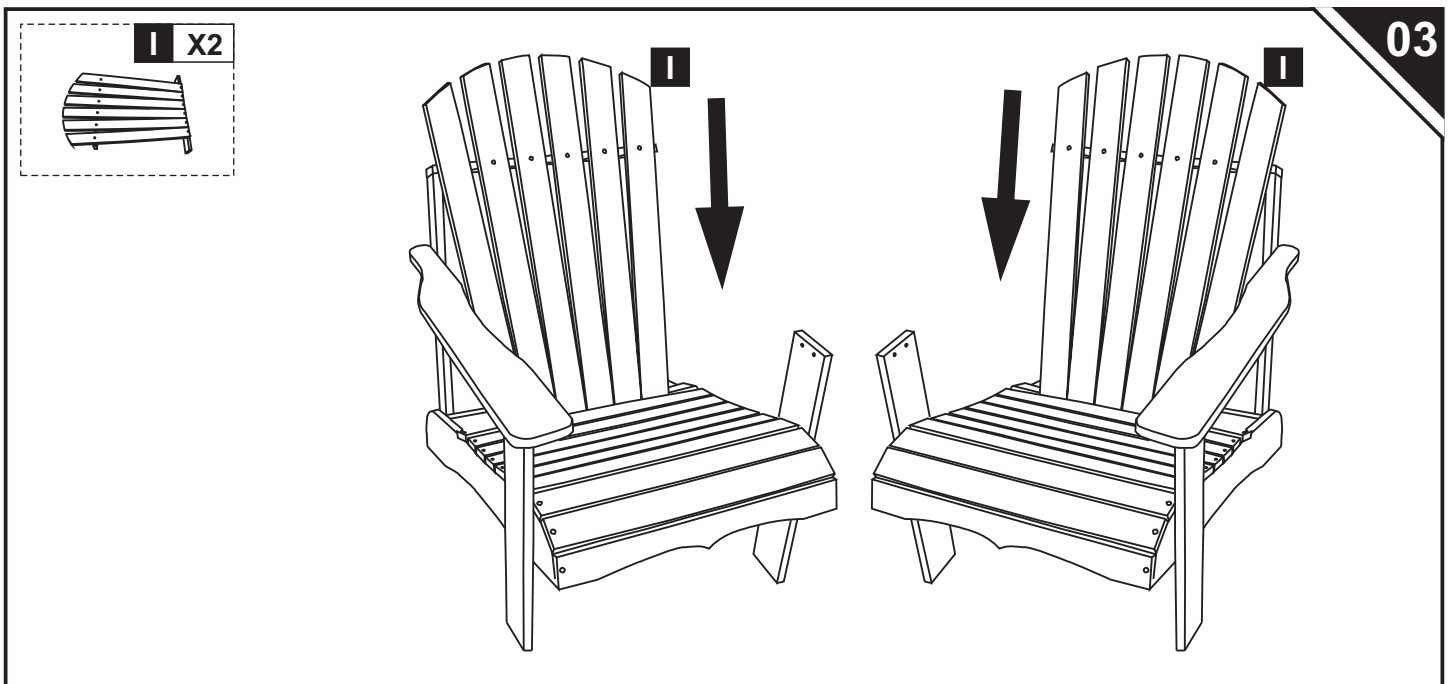
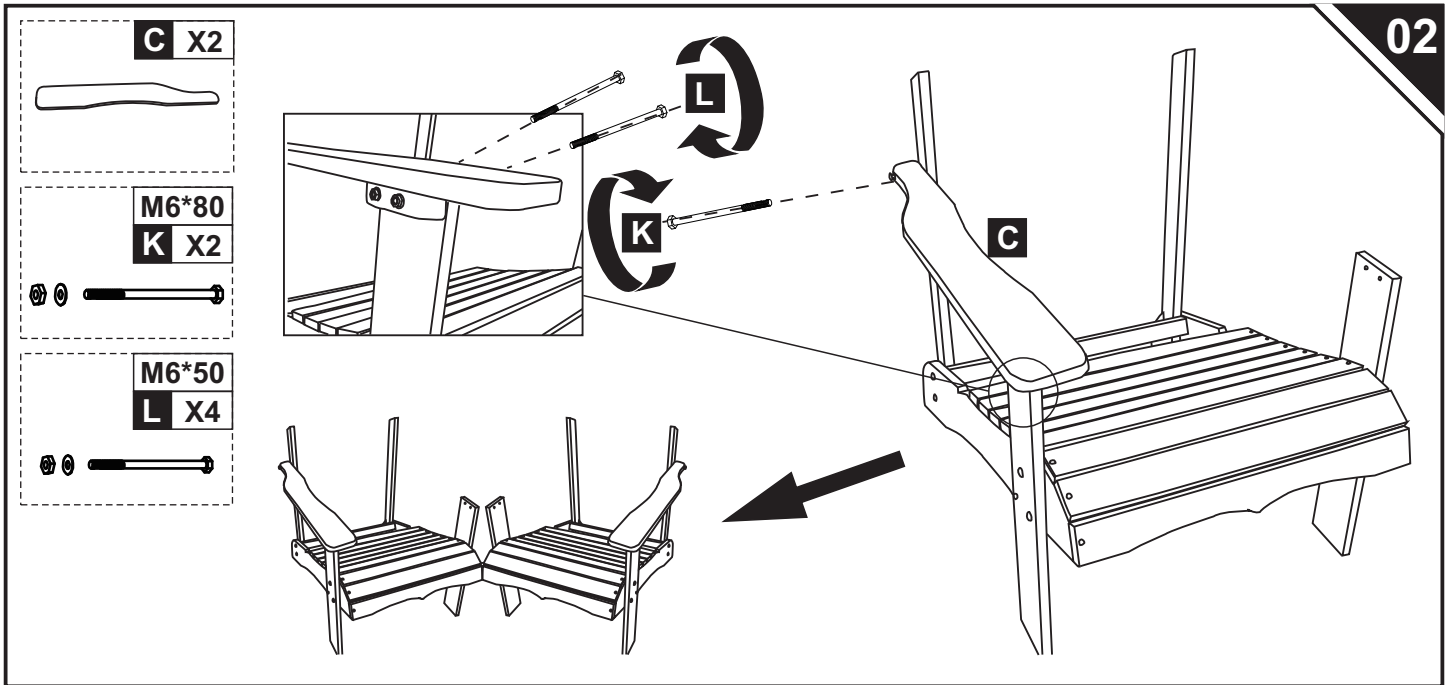
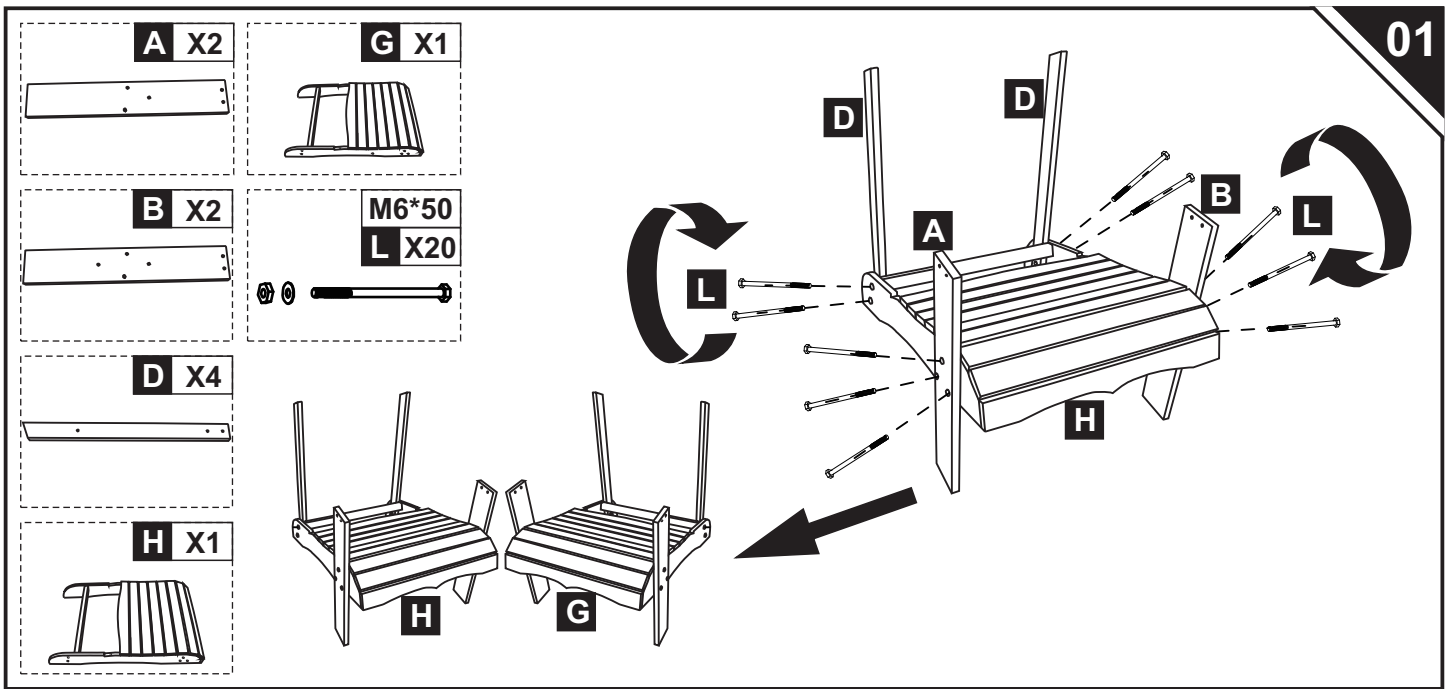
G X1



M4*40

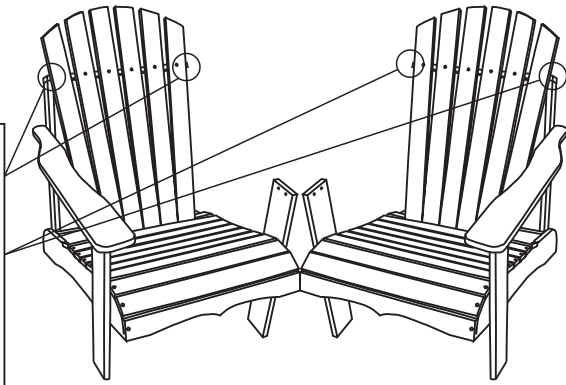
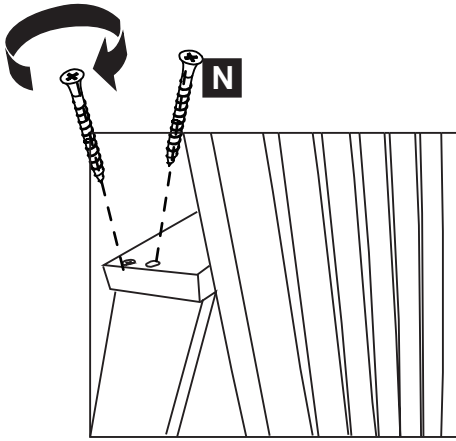
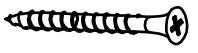
N X26





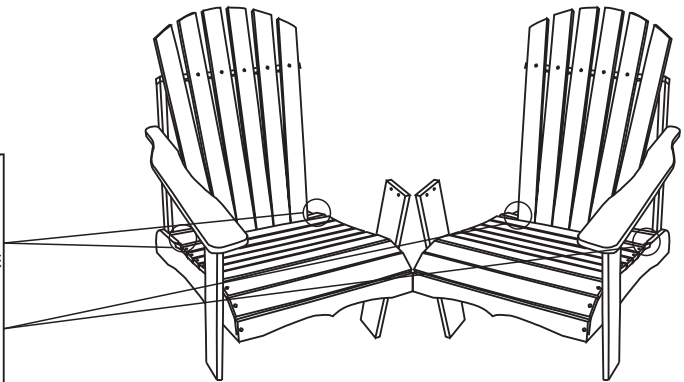
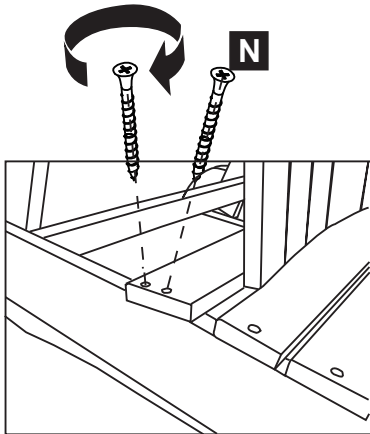
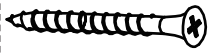
04

M4*40
N X8



05

M4*40
N X8

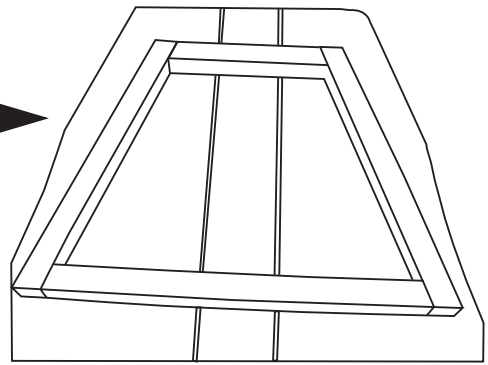
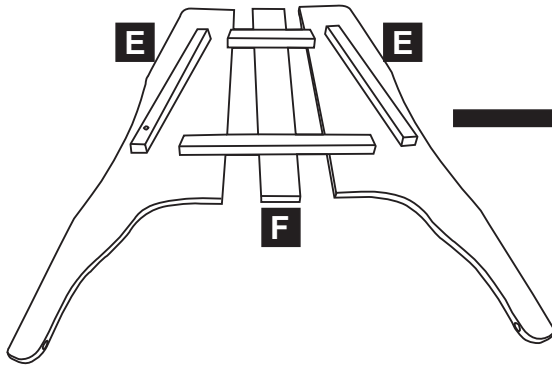
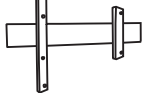


06

E X2

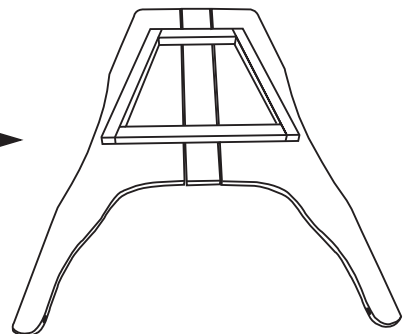
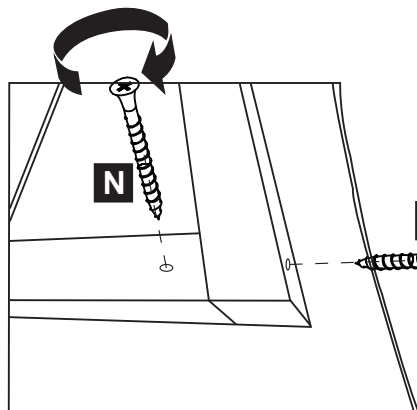
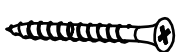


F X1



07

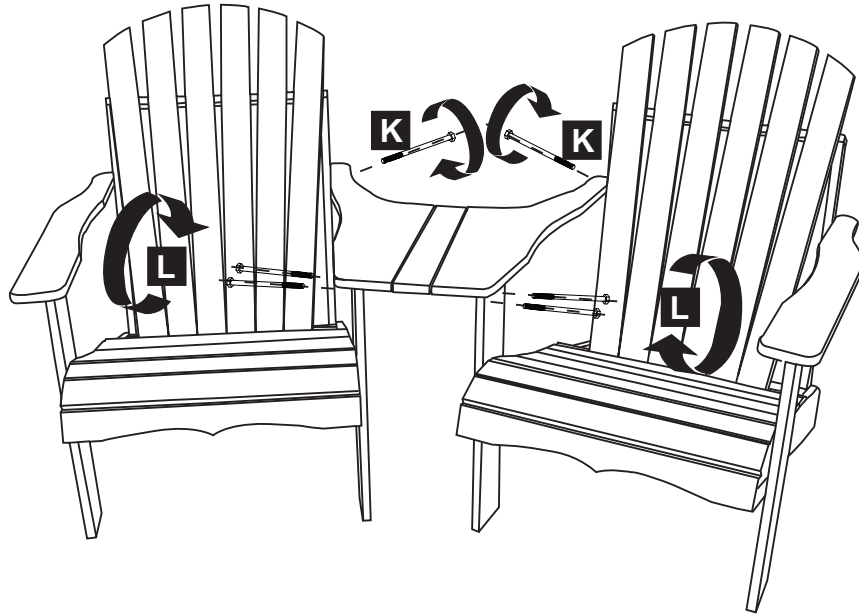
M4*40
N X10



M6*80
K X2



M6*50
L X4



M6*50
L X2



M6*60
M X2



J X1

