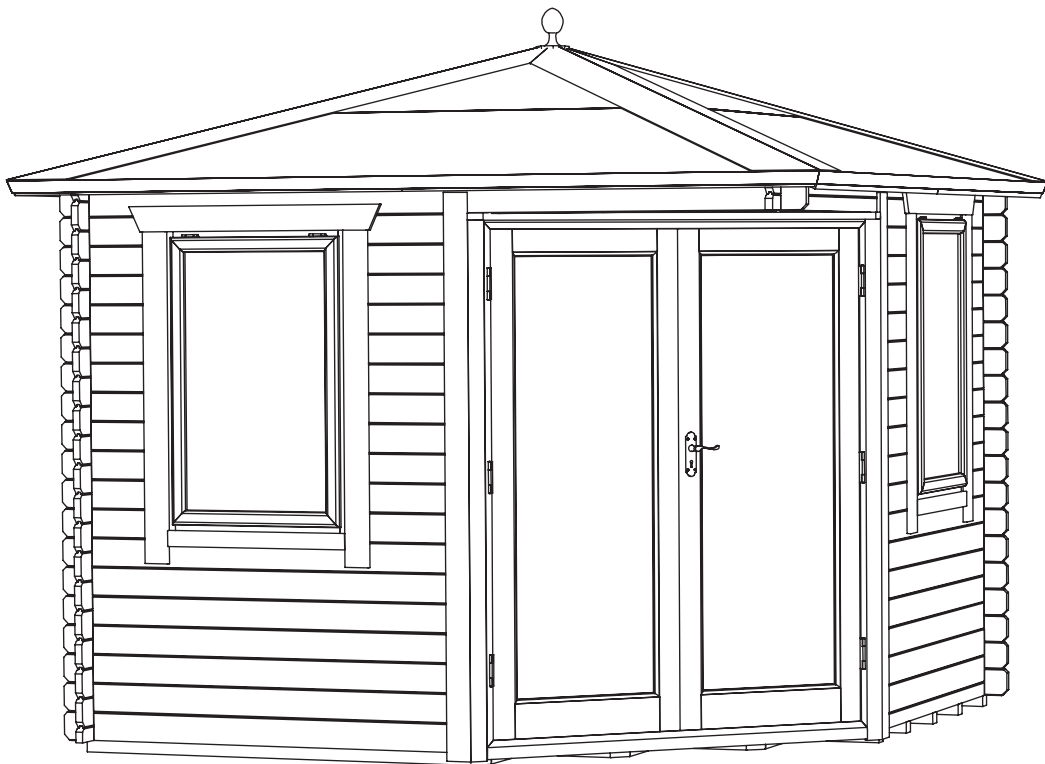


TIGER BENGAL LOG CABIN

GENERAL ASSEMBLY INSTRUCTIONS



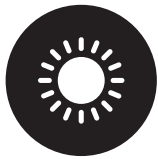
BEFORE YOU GET STARTED

PLEASE READ INSTRUCTIONS CAREFULLY

- Check the pack and make sure you have all the parts listed.
- When you are ready to start, make sure you have the right tools at hand (not supplied).
- Ensure there is plenty of space and a clean dry area for assembly.

TIMBER

As with all natural materials, timber can be affected during various weather conditions. For the duration of heavy or extended periods of rain, swelling of the wood logs may occur. Warping of the wood may also occur during excessive dry spells due to an interior moisture loss. Unfortunately, these processes cannot be avoided but can be mitigated. It is suggested that the outdoor building is sprayed with water during extended periods of warm sunshine and sheltered as much as possible during rain or snow.



SUMMER
CONTRACTION



WINTER
EXPANSION



WOOD WARPING
MAY OCCUR

Please do not paint or treat your cabin timbers before assembly as they must stay dry for a snug tongue and groove fit. To validate your guarantee and ensure longevity of the product, it is ESSENTIAL that your building is treated with an appropriate high-quality oil or solvent based preservative AFTER assembly, both internally and externally, then annually thereafter.

BUILDING A BASE

Care must be taken to ensure the product is placed on a suitable base. When thinking about where the building and base is going to be constructed, ensure that there will be access to all sides for maintenance work and annual treatment.

Ensure the base is firm and level and is built on firm ground, to prevent distortion.

The constructed base must be at least the size of tanalised floor bearers as referenced in supplied construct diagram. It is also recommended that the floor be at least 25mm above the surrounding ground level to avoid flooding.

TYPES OF BASE

- Durable plastic grid*
- Concrete 75mm laid on top of 75mm hard-core.
- Slabs laid on 50mm of sharp sand.
- Timber base - Self constructed/Buy pre-made.



PLASTIC BASE



CONCRETE BASE



SLAB BASE



TIMBER BASE



BROKEN SLABS



BARE SOIL



LOOSE GRAVEL

**We recommend a Fastfit EcoBase for your building. It is durable, lightweight, flexible, and easy to put in place. Please see [tigersheds.com](https://www.tigersheds.com) for details.*

CAUTION:

All buildings should be erected by two competent adults.



CAUTION:

It is advisable to wear safety gloves during building installation.



Whilst all products manufactured are made to the highest standards of safety, we cannot accept responsibility for your safety whilst erecting or using this product.



The mark of responsible forestry

FSC® C125286



MADE IN THE UK SINCE 1913.

We have been making our high quality, great value garden buildings here in Britain for decades.

GO WITH THE PRO!

We understand how busy life can be. Our Pro-Installation service can take the stress and strain out of assembling your quality Tiger building for you. We recommend using professional and dedicated installers to erect your building. With their knowledge and experience, they will ensure that your cabin is put properly in place ready for you to enjoy your space for years to come.

If you have not booked our Pro-Installation service and would like to arrange an installation, please contact our friendly customer support team on **0113 205 4189** (Mon – Fri 9am-5pm) or email **sales@tigersheds.com**.

- The pro-install team will contact you to arrange a suitable time and date for the fitting.
- Sit back, relax and let our professional home installation service do all the hard work for you!
- Please view the Pro Installation page on tigersheds.com for full terms & conditions and to see if your postcode area is covered by our Pro-Install teams.

BEFORE YOU GET STARTED

TOOLS REQUIRED

We recommend using the following tools (not supplied):



HAMMER



RUBBER Mallet



DRILL



LADDER



TAPE MEASURE



SHARP KNIFE



SPIRIT LEVEL



SCREWDRIVER +



WOOD SAW



SPANNER

FIXING KIT CONTENTS:



Clout Nails (20mm Galvanised - QTY 300)



Screws (40mm - QTY 30)



Nails (40mm Galvanised - QTY 30)



Screws (60mm - QTY 8)



Nails (65mm Galvanised - QTY 300)



Screws (80mm - QTY 16)



Nails (40mm Bright Annular - QTY 400)



M6 Coach Bolts (40mm - QTY 8)

Unpacking supplied cabin.

- Remove all wrapping from delivery. From top to bottom, cut banding holding all components together and remove the cabin components.

NOTE: PARTS MAY HAVE BECOME LOOSE OR MOVED DURING TRANSPORTATION.

- Lay components on a dry, horizontal surface.

BUILDING PACK CONTENTS:

For full details of what should be included please see the Product Construct Diagram and itemised cutting list that is supplied with the delivery. They are also available on request in pdf form from our helpful Customer Support team – please call **0113 205 4189** or use the Items Delivered Query form at **[tigersheds.com/contact](https://www.tigersheds.com/contact)**.

ASSEMBLY

- Assembly is straightforward if you follow these step-by-step instructions.
- We recommend getting everything aligned properly before screwing together and that screw holes should be pre-drilled to avoid splitting the timber. (Do not come pre-drilled).

IMPORTANT

- Before assembly, please make sure you have a suitable base ready to erect your building on.
- Your base **MUST** be firm and level to ensure that the building is assembled properly and is square.
- Please carefully remove the packaging and unpack the components in your delivery.
NOTE: ADDITIONAL TIMBER MAY BE INCLUDED AS PACKING MATERIALS.
- **DO NOT** start your build until you have checked that all the parts of your building are present and in a suitable condition.
- If you are organising a third party to install your building, it is best practice not to schedule this immediately on receipt of your order, to give you time to check your delivery.

TIGER BENGAL LOG CABIN GENERAL INSTRUCTIONS

Step 1:

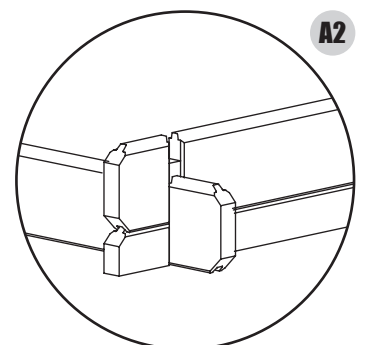
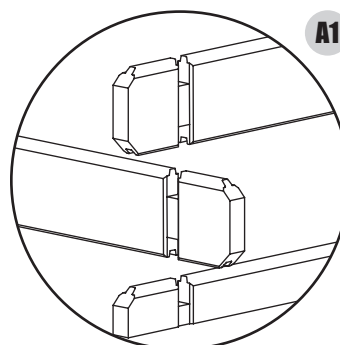
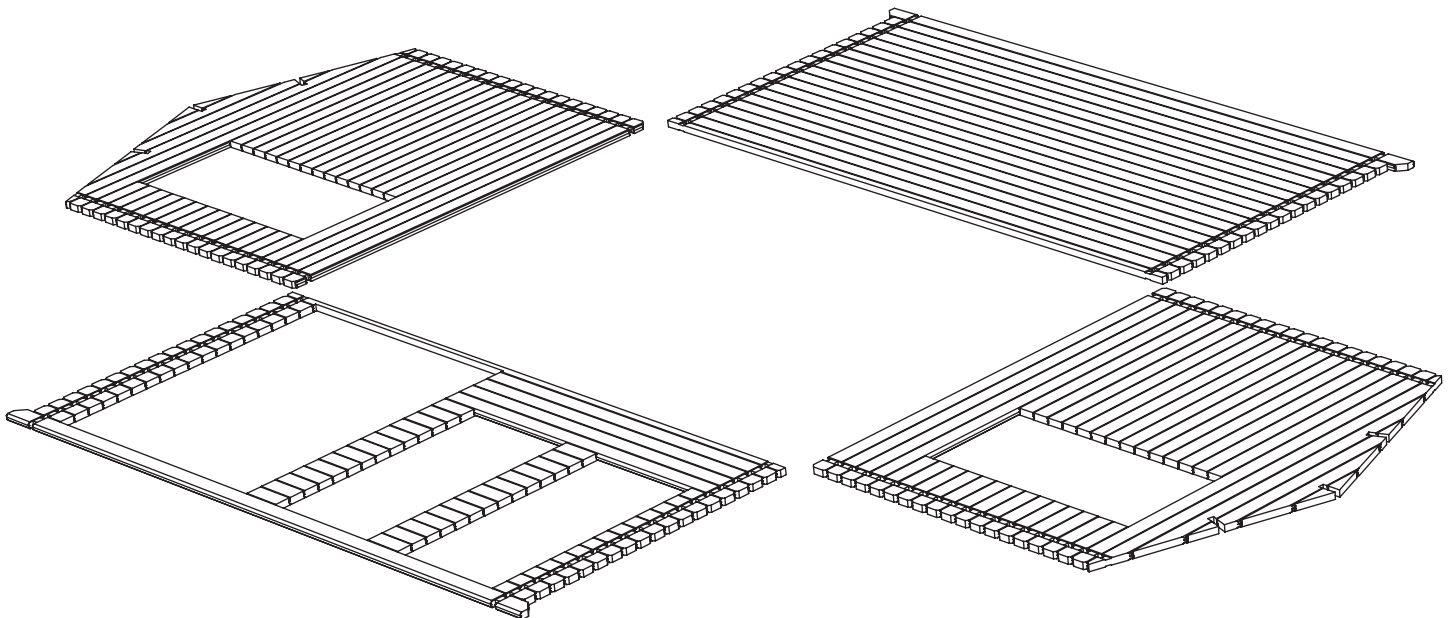
UNPACKING CABIN COMPONENTS:

- Unpack all components from your supplied cabin pack(s) and place each individual component in the correct order using the supplied construct diagram and parts list as a guide. Ensure all components are present and in the correct position before beginning assembly.

- Each log interlocks in a staggered pattern.

NOTE: SOME LOGS FEATURE ADDITIONAL FULL NOTCHES & HALF NOTCHES.

- Before securing, ensure that the logs are fitted properly in their respective tongue and grooves, gently tapping down with a mallet. *(Detail A1 & A2)*



TOP TIP

Use packing materials to protect when tapping logs into place.

Step 2:

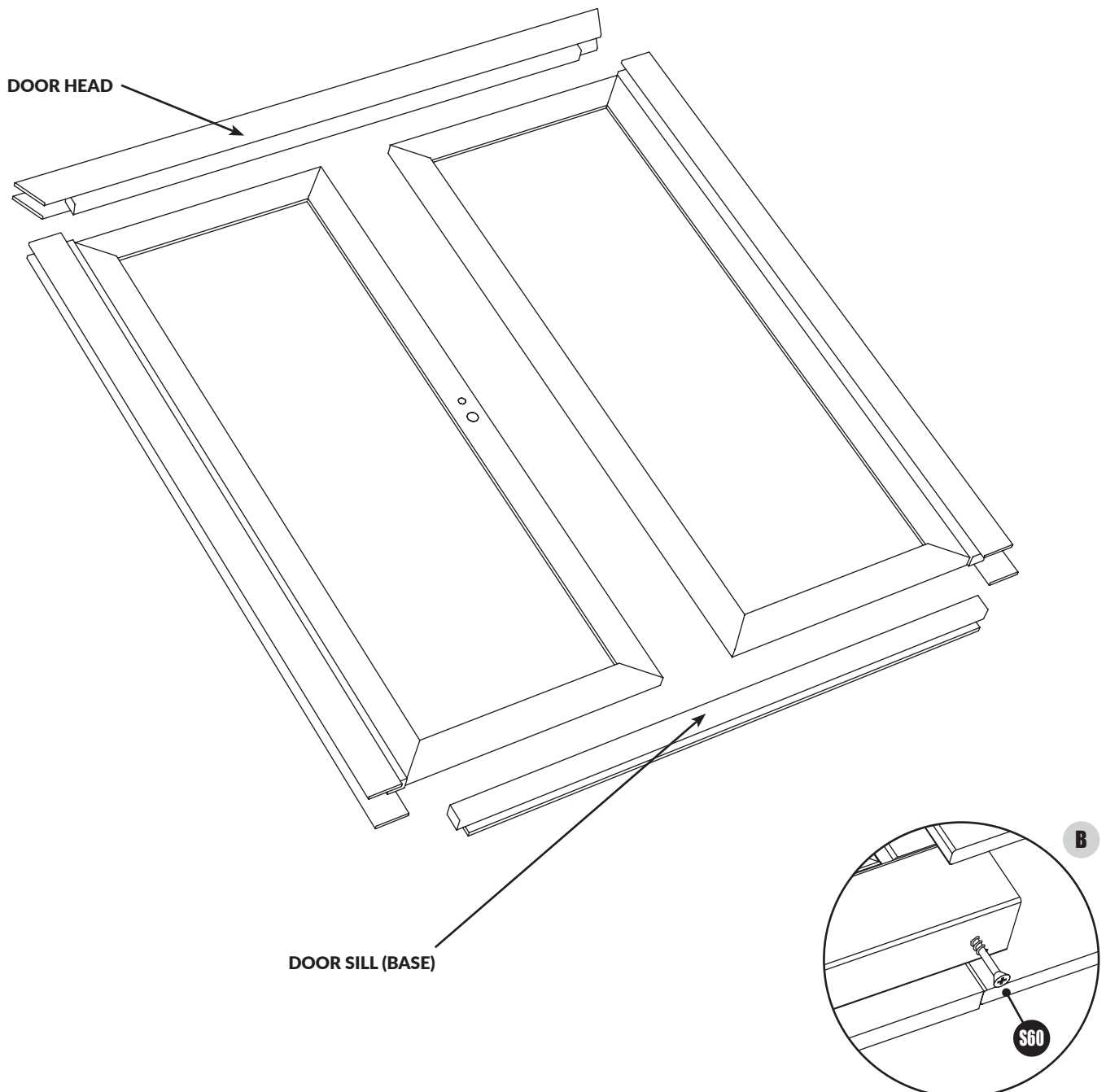
DOUBLE DOOR ASSEMBLY

- For cabins with double doors, build up door frame using the four door components provided. Remove supplied key. This is usually stapled over keyhole.
- Arrange the door framing onto a firm and level surface, with hinges to the ground. Slot the door sill (base) then the door head into place. Secure the 4 sections together through the joints using 1x S60 per corner.

(Detail B)

NOTE: HOLES FOR FRAMING ARE PRE-DRILLED IN THE FACTORY.

NOTE: THIS IMAGE IS FOR ILLUSTRATIVE PURPOSES AND DOOR STYLE MAY DIFFER FROM YOUR SUPPLIED PRODUCT.

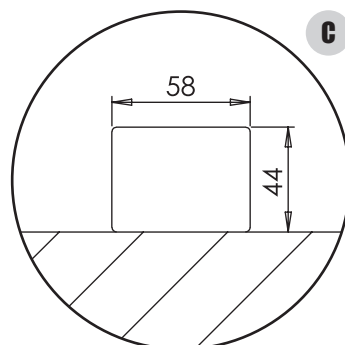
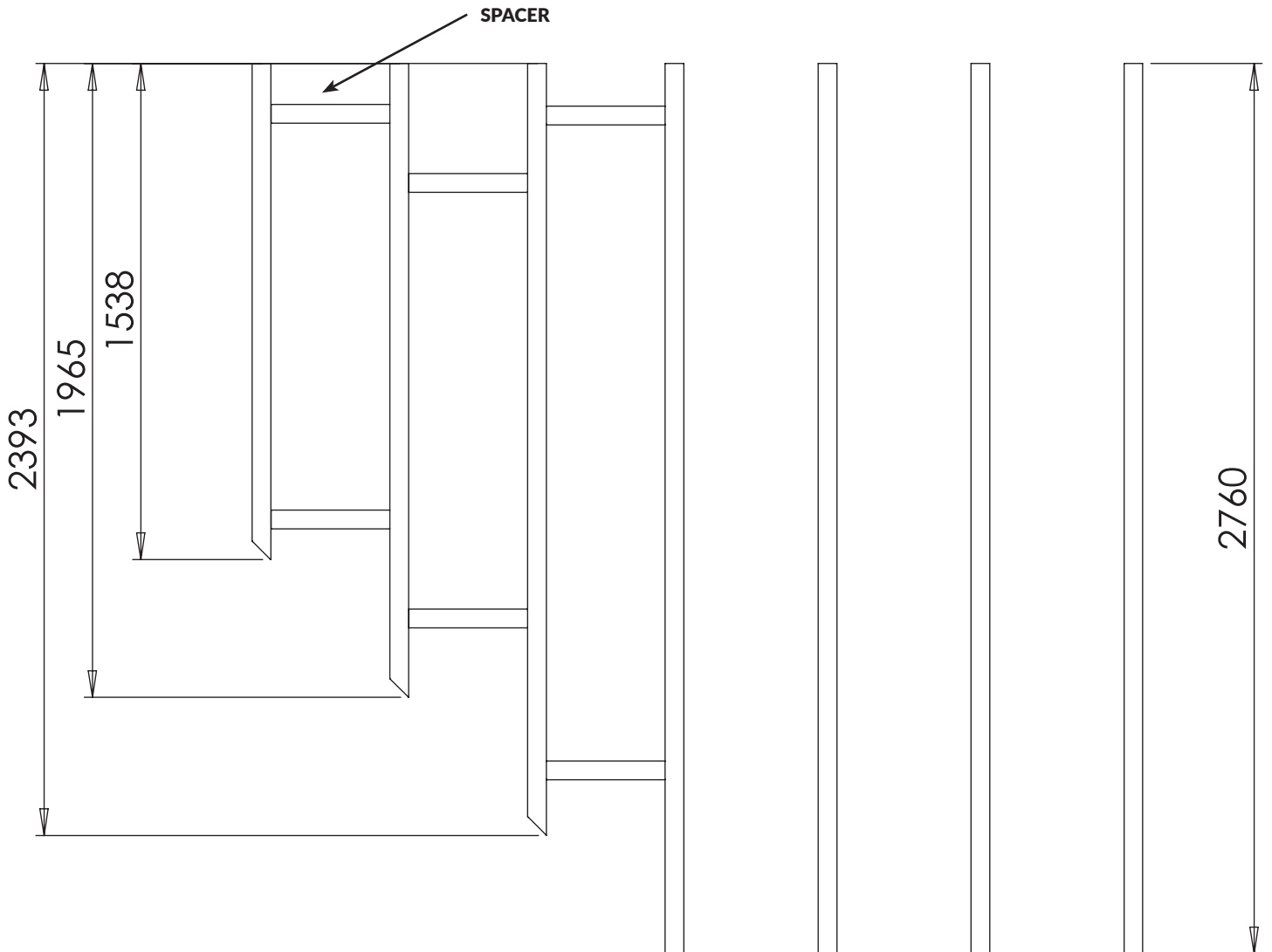


TIGER BENGAL LOG CABIN GENERAL INSTRUCTIONS

Step 3:

LAY DOWN TANALISED BEARERS

- Refer to the floor plan of your construct diagram, position the tanalised bearers on prepared base.
- Spread out the tanalised bearers equally at approx. 400mm centres. **(Detail C For Orientation)**



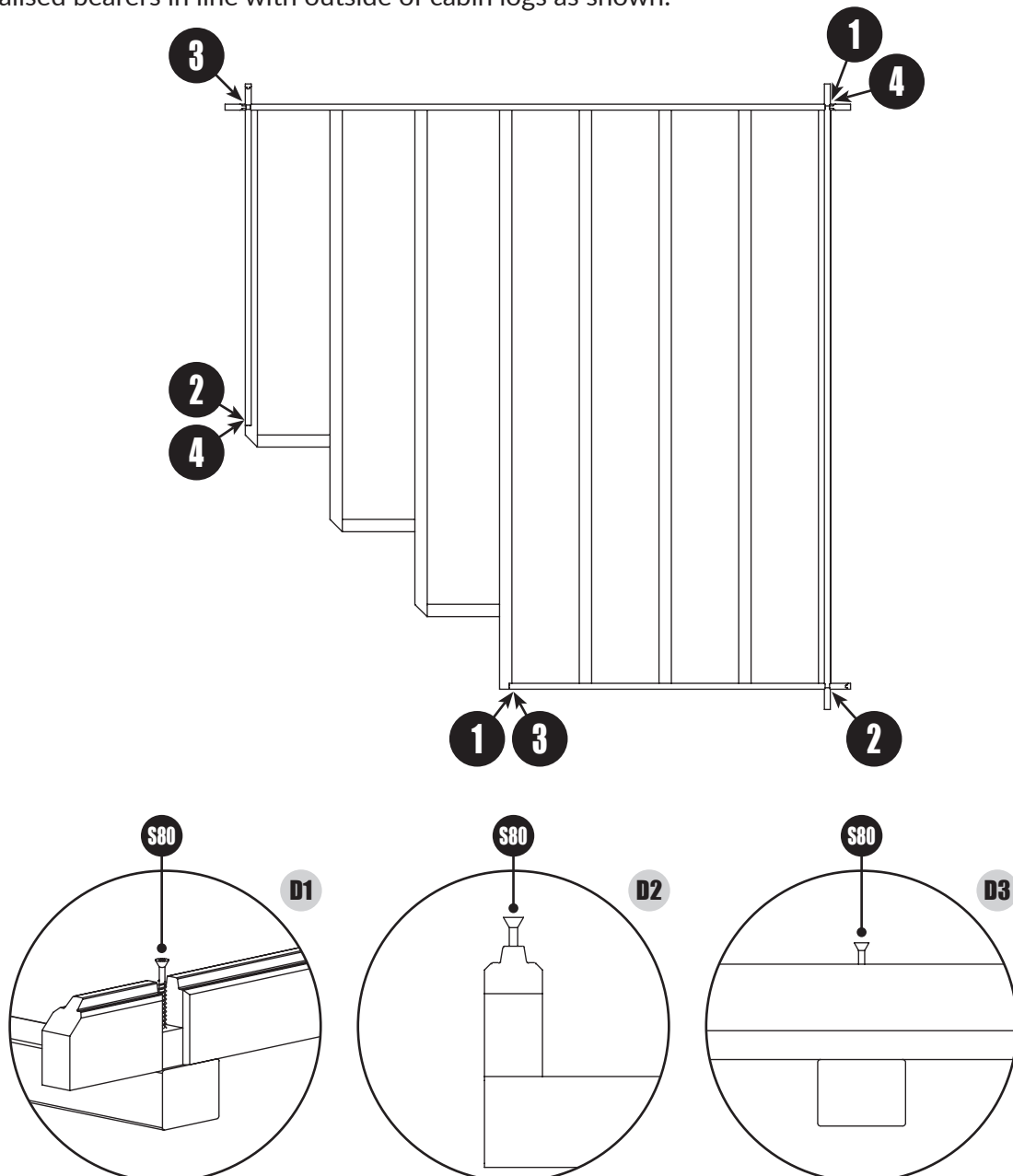
Step 4:

BEGIN BUILDING WALLS

- Place 1st layer of logs on the edges of the bearers. Ensure half logs are put down first. See construct diagram for build order.

NOTE: ADJUST TANALISED BEARERS TO SIT UNDER LOG JOINS.

- Measure to check the floor is square by measuring the points shown. If all measurements are equal, then your building is square. If not, manually adjust until both measurements are equal.
- Screw logs into tanalised bearers using 3x S80 per log. (1x S80 in center, 1x S80 per end notch)
- For fixing through notches. **(Detail D1)**
- For fixing through half log. **(Detail D2 & D3)**
- Check that floor is level using a spirit level.
- Cut tanalised bearers in line with outside of cabin logs as shown.



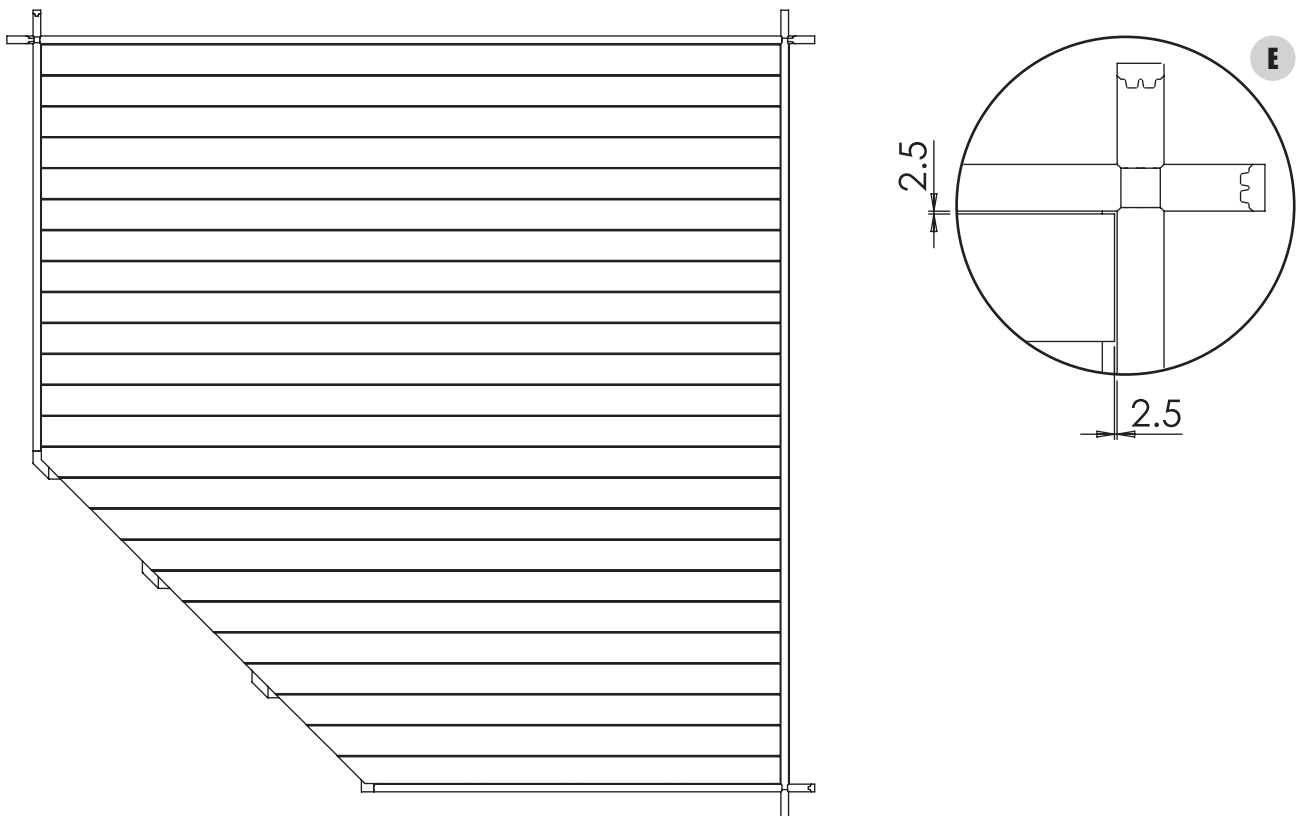
TIGER BENGAL LOG CABIN GENERAL INSTRUCTIONS

Step 5:

SECURING FLOOR

- Start to lay the floorboards. There should be a 2.5mm gap between the edge of the floorboards and the outer logs to allow for expansion and contraction. See Detail E.
- Nail the floorboards to the tanalised bearers below with 2x BA40 evenly spaced per floorboard per tanalised bearer.
- Angle cut the floorboards. Measure from inside of door logs.

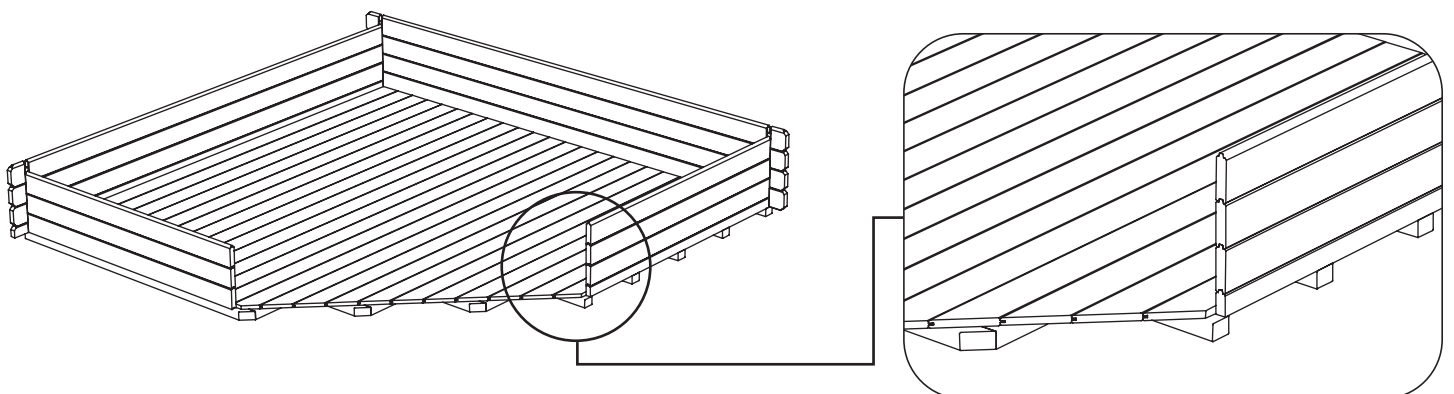
NOTE: DO NOT CUT THROUGH TANALISED BEARERS.



Step 6:

CONTINUE TO BUILD WALLS

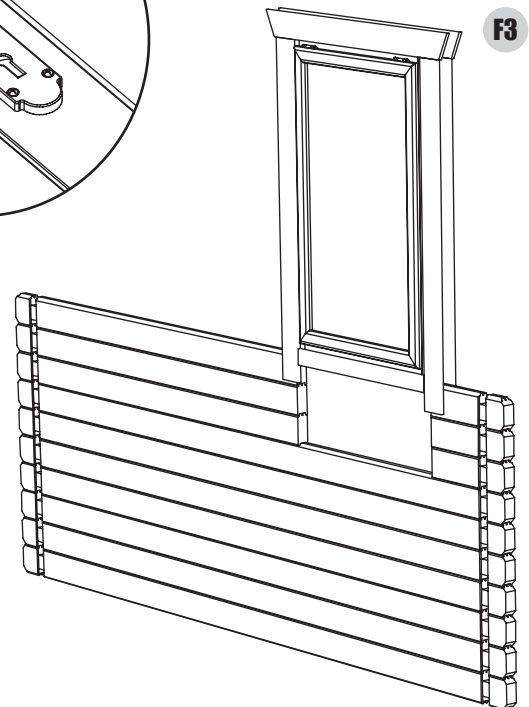
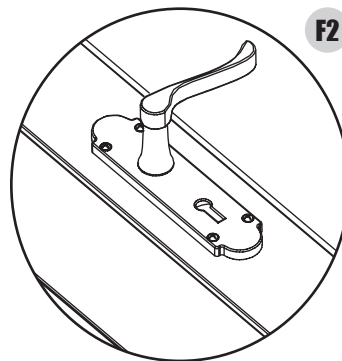
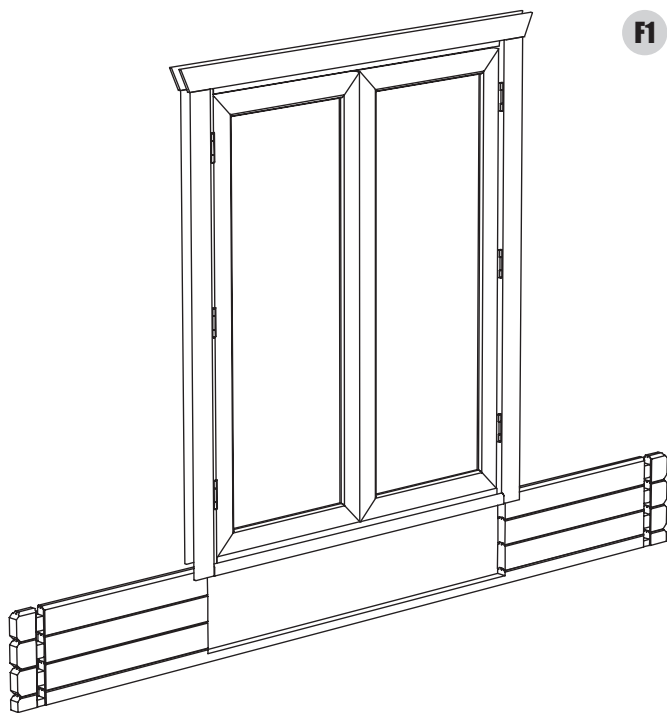
- Using construct diagram as a guide, begin to build up the walls by interlocking the logs layer by layer until 3 logs high.



Step 7:

INSTALL DOORS & WINDOWS

- Take the assembled doors and frame and slide over the logs until fully inserted.
- Position centrally within opening. This will leave a gap either side for settling. **(Detail F1)**
NOTE: DOORS ARE VERY HEAVY, PLEASE TAKE CARE WHEN LIFTING INTO PLACE.
- Fix supplied door handle to enable access to the cabin. **(Detail F2)**



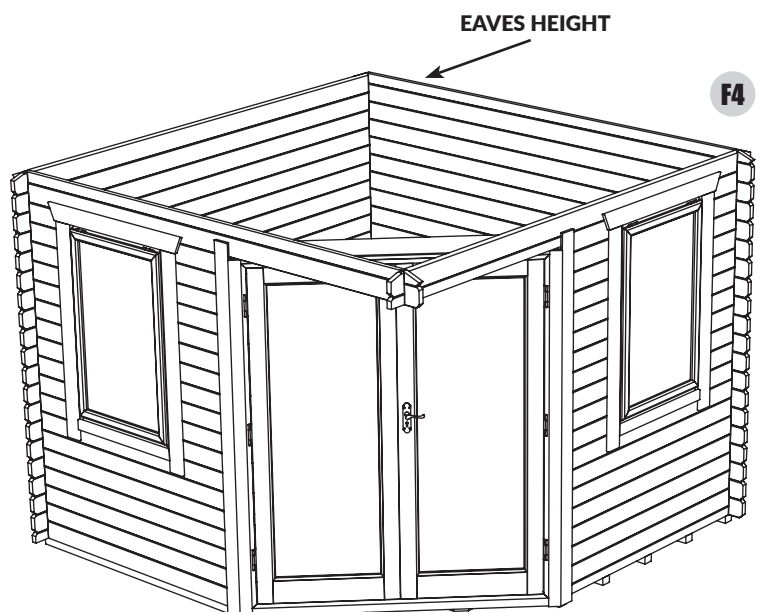
- Continue adding more layers of logs until you reach 3 logs past window height, before slotting the windows into position. **(Detail F3)**

- Position centrally within opening. This will leave a gap either side for settling.
NOTE: WINDOWS CAN BE VERY HEAVY, PLEASE TAKE CARE WHEN LIFTING INTO PLACE.

NOTE: IF YOUR BASE IS NOT FIRM AND LEVEL THEN THIS CAN CAUSE THE DOORS AND WINDOWS TO TWIST OR TO GO OUT OF SQUARE. USE A SPIRIT LEVEL TO CHECK.

NOTE: DO NOT FIX THE DOORS OR WINDOWS IN PLACE AT THIS STAGE

- Continue to build up your cabin to eaves height. **(Detail F4)**



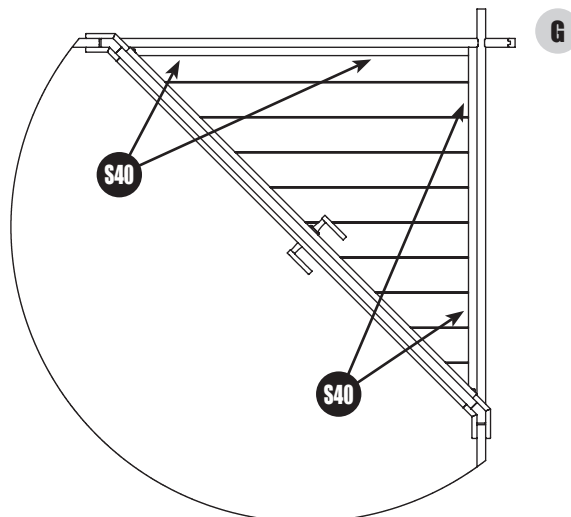
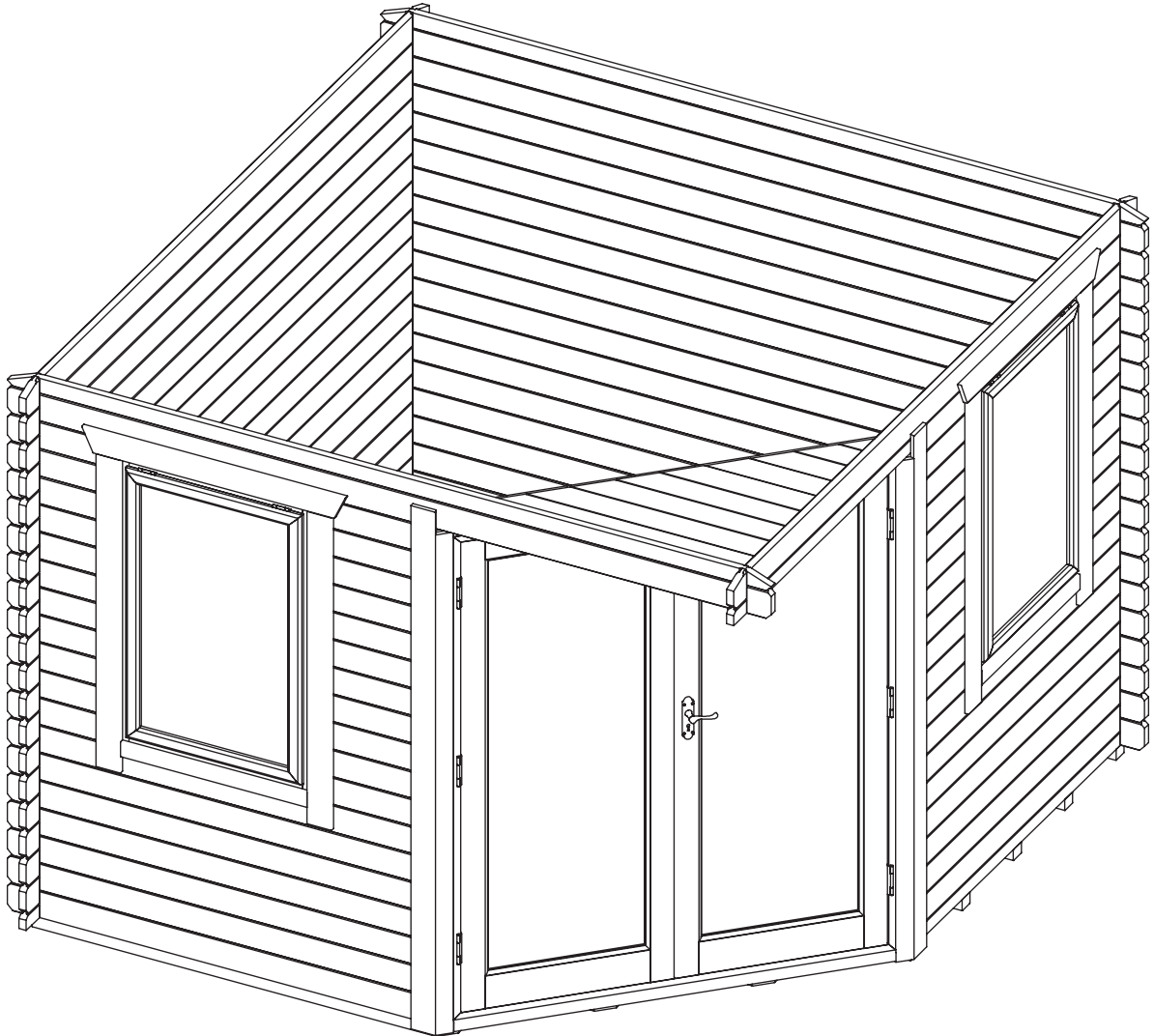
TIGER BENGAL LOG CABIN GENERAL INSTRUCTIONS

Step 8:

FIT DOOR CANOPY (ROOF REMOVED FOR CLARITY)

- Fix internal shelf to the top side logs at front of cabin using 2x S40 evenly spaced per side. *(Detail G)*

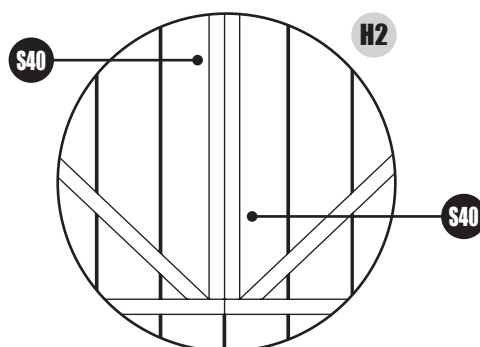
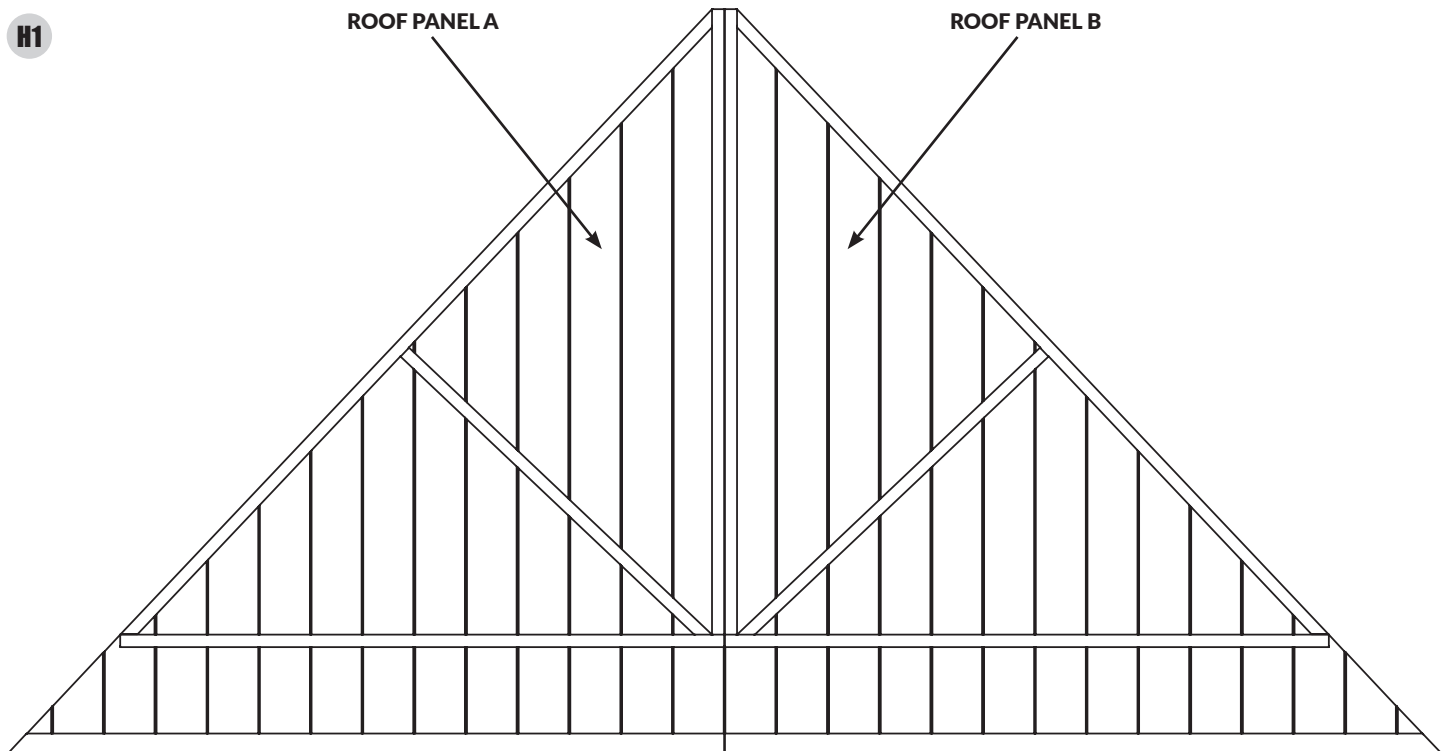
TOP TIP
Get someone to hold the canopy in place while securing to logs.



Step 9:

ASSEMBLING ROOF PANELS

- Fix 1x A & 1x B roof panels together using 2x S40 equally spaced per section. **(Detail H1)**
- For extra strength, we recommend securing through both sides of the framing of each panel. **(Detail H2)**



TIGER BENGAL LOG CABIN GENERAL INSTRUCTIONS

Step 10:

PREPARING THE ROOF FELT

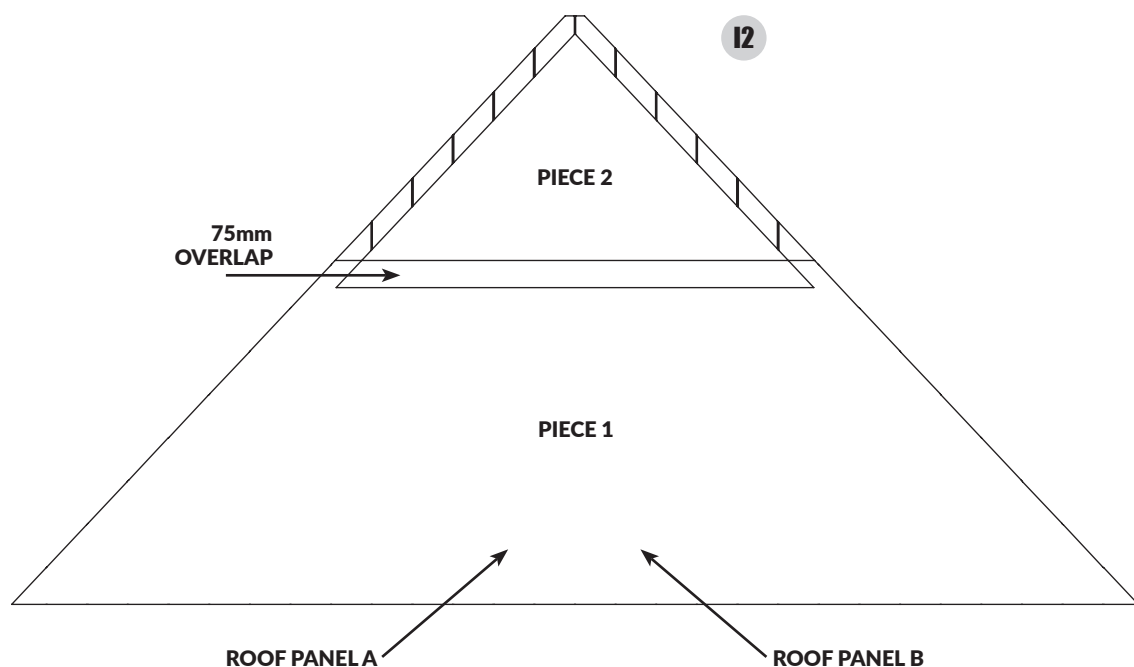
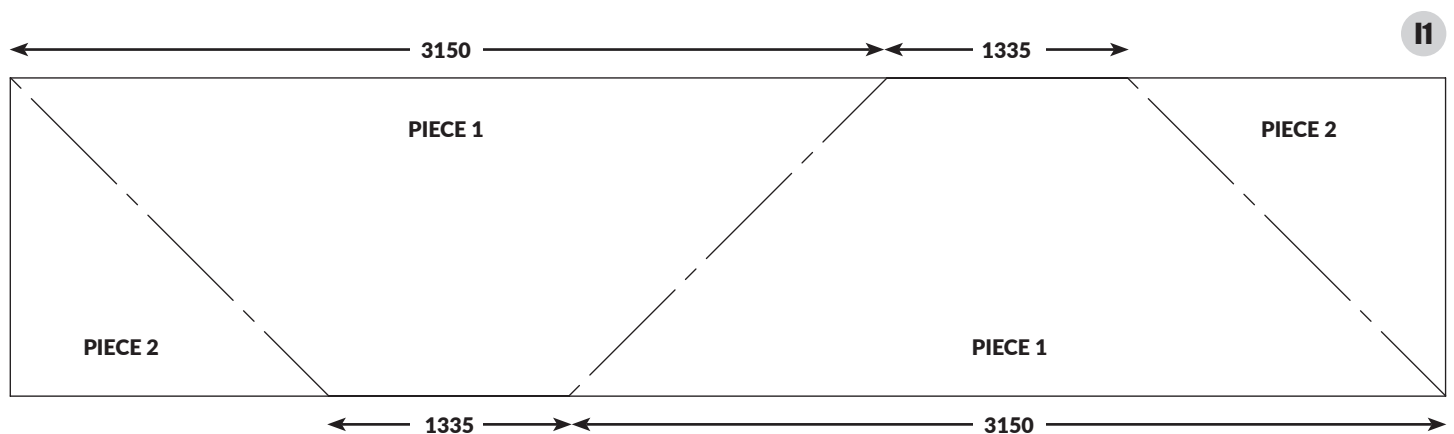
- Roll felt out onto a clean flat surface 30 minutes before you need it so it has a chance to flatten out.
- Take 1x 12x6 roll of felt. Measure length of roof and cut 2 lower strips of felt to size. (Piece 1). Use a straight edge to guide cutting. The offcut (Piece 2) will be used in Step 11.

NOTE: USE THE SAME ANGLE CUT FOR BOTH PIECES. (Detail I1)

NOTE: THE EDGE OF THE FELT (PIECE 2) WILL NOT BE FLUSH WITH THE RIDGE. THIS WILL BE COVERED BY CUT FELT IN STEP 9.4. (Detail I2)

- Repeat for second 12x6 roll of felt.
- Cut 10m roll into 4 equal lengths. (2.5m)

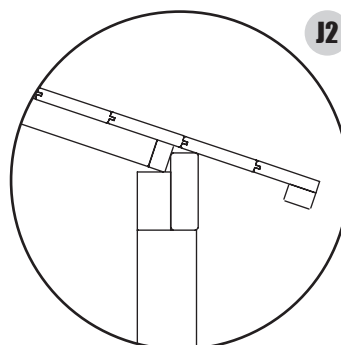
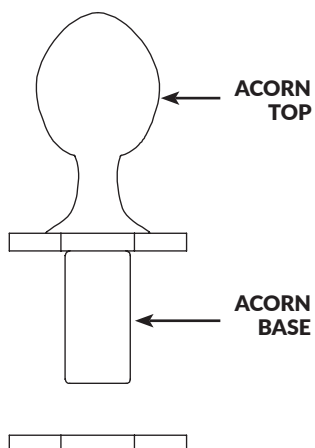
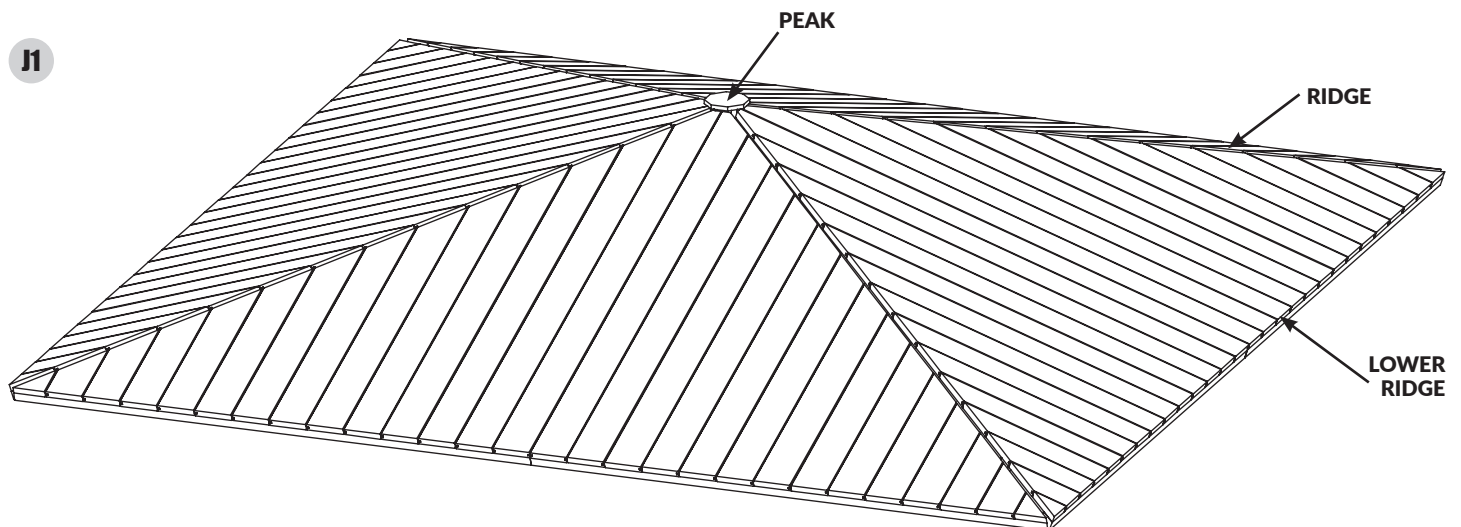
NOTE: DO NOT FELT THE ROOF PANELS AT THIS STAGE.



Step 11:

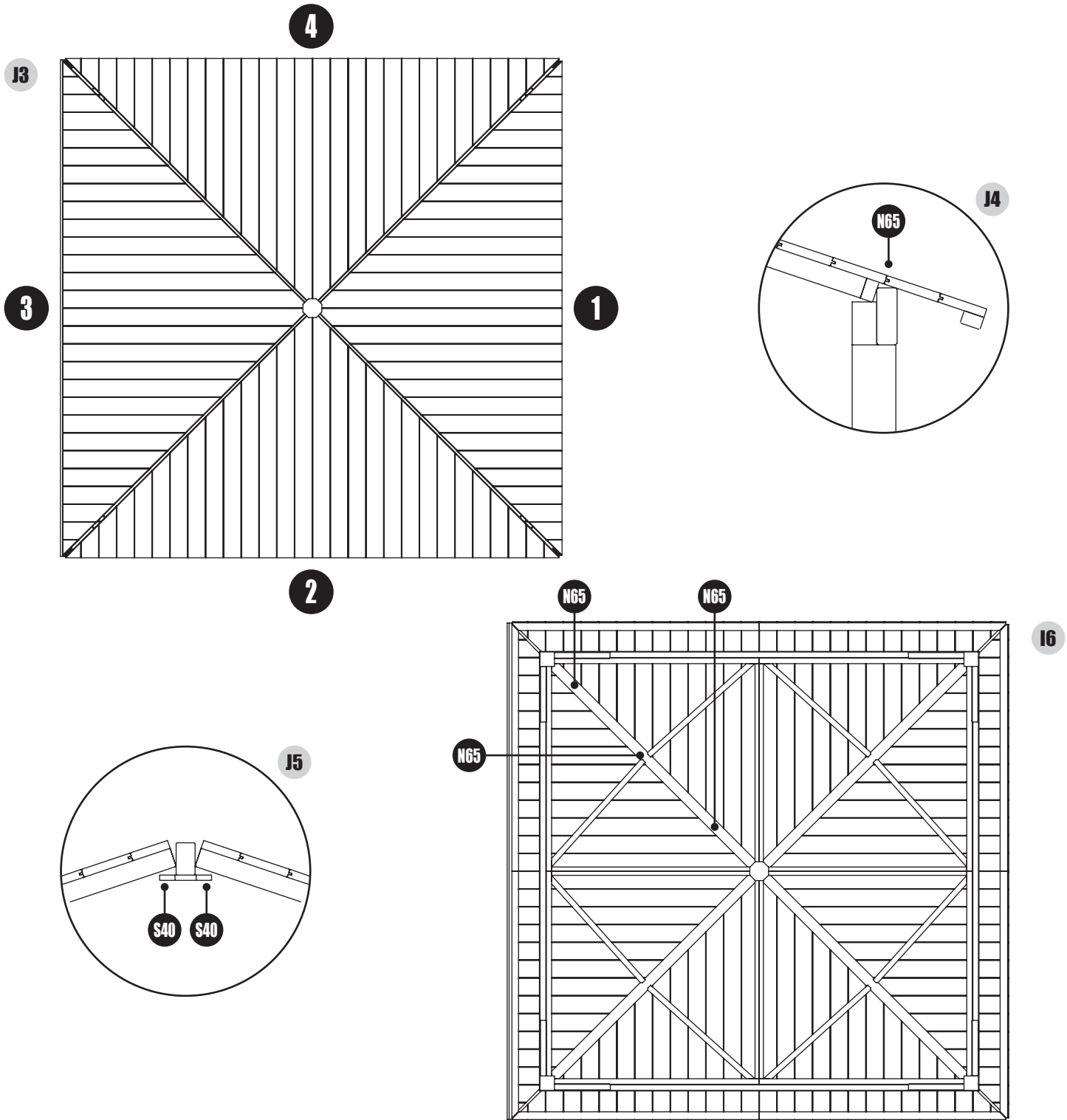
INSTALL ROOF PANELS

- Unscrew top piece of acorn. **(Detail J1)**
- Hook the joined roof panels onto the horizontal rails. **(Detail J2)**
- Guide top of joined roof panels into acorn base and lower until panels are “locked in”.
- For remaining roof panels, push acorn base upward, slightly loosening the roof and catch the new panel edge then lower to “lock in”. For order of panel installation. **(Detail J3)**
- Secure through acorn base using 2x S40 per joined roof panel. **(Detail J4)**
- Secure roof panels to horizontal rails using 6x N65 equally spaced per joined roof panel. **(Detail J5)**
- Secure roof panels to each other internally using 3x S40 evenly spaced per ridge. **(Detail J6)**



CONTINUES ON
THE NEXT PAGE

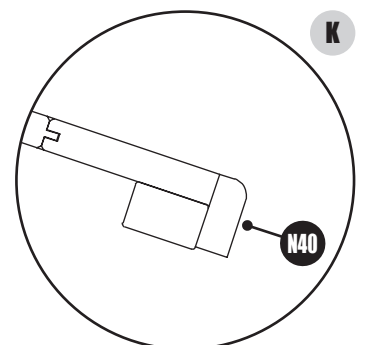
TIGER BENGAL LOG CABIN GENERAL INSTRUCTIONS



Step 12:

INSTALL ROOF BATTEN AND SKIRTING

- Secure skirting to bottom of roof panels using 6x N40 evenly spaced per skirting. *(Detail K)*
- Repeat for remaining roof panels. 4 roof sections in total.



Step 13:

FELT THE ROOF FELTING THE ROOF

- **13.1** Roll large angle cut felt piece along low side of roof (Piece 1) leaving sufficient overhang to fold down onto lower edge. Do not fold underneath roof. **(Detail L1 & L2)**

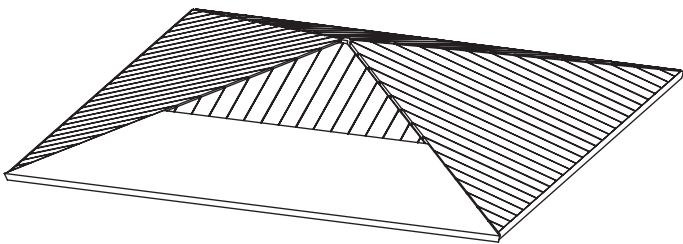
Secure to roof skirting using CN20 at approx. 100mm intervals. **(Detail L2)**

Ensure the felt is tight, then secure the top edge of felt using CN20 at approx. 100mm intervals along the full length. Secure along ridges using 5x CN20.

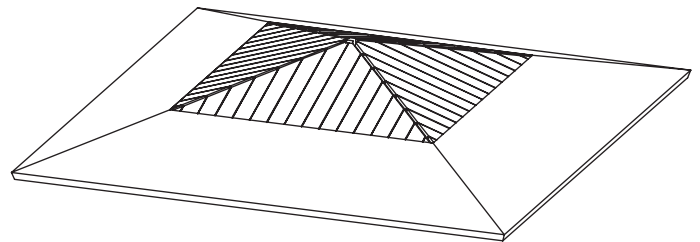
- **13.2** Repeat process for all lower sections of felt.
- **13.3** Place smaller angle cut felt piece (Piece 2) as shown. Overlap the top piece of felt with the bottom piece by approx. 75mm. **(Detail L3)**

NOTE: THE EDGE OF THE FELT WILL NOT BE FLUSH WITH THE RIDGE. THIS WILL BE COVERED BY CUT FELT IN STEP 13.4.

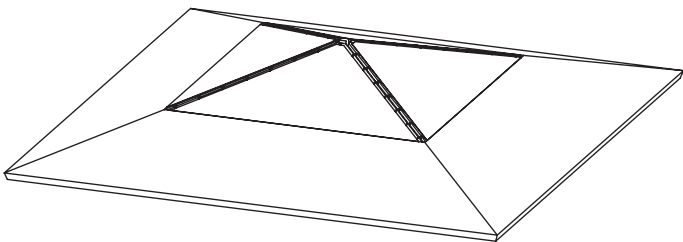
- **13.4** Use 2.5m cut pieces of felt cover the ridges where the felt overlaps. Secure using CN20 along edges of felt at 100mm intervals.
- Reattach acorn top, trapping felt at peak in between the acorn top and roof board.



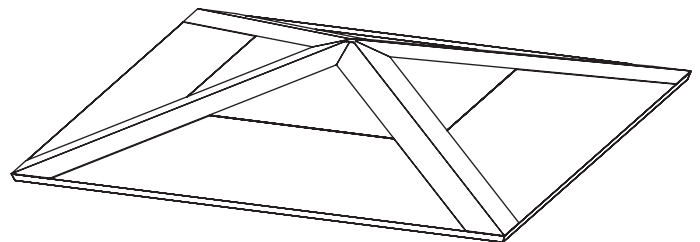
13.1



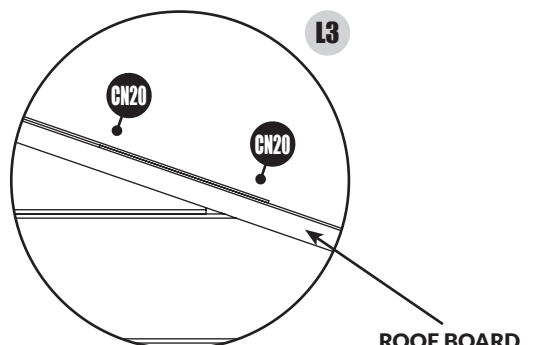
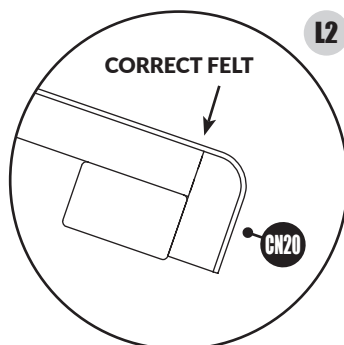
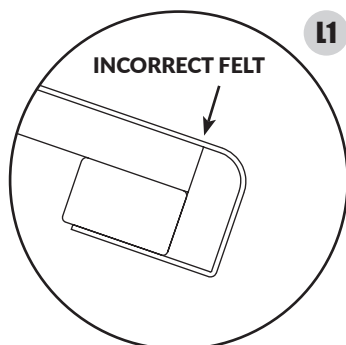
13.2



13.3



13.4



TIGER BENGAL LOG CABIN GENERAL INSTRUCTIONS

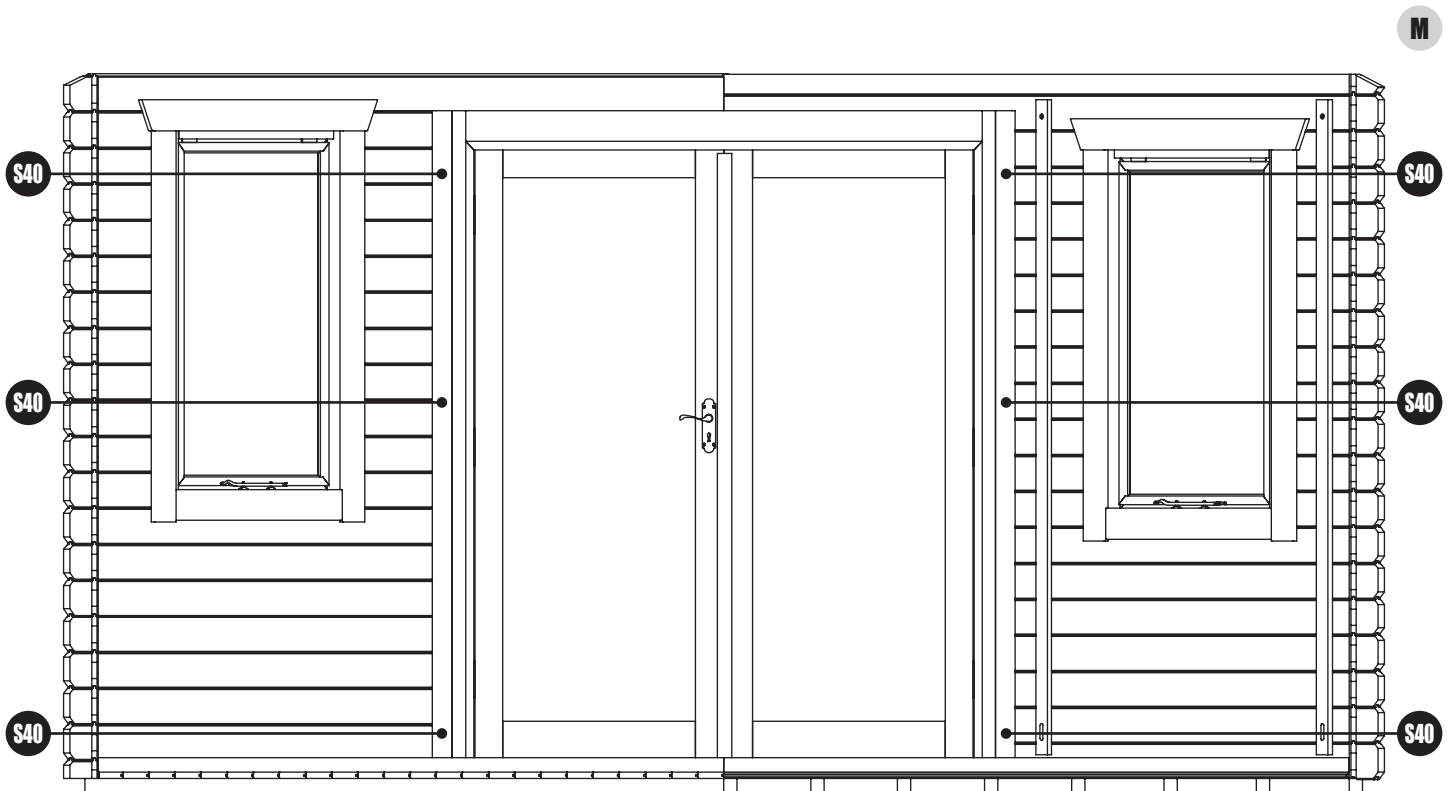
Step 14:

FIXING DOORS AND WINDOWS

- Check the doors are square and screw the fascia boards, both internally and externally, into the logs behind with 6x S40 evenly spaced as shown. *(Detail M)*

NOTE: INTERNAL VIEW. BLANK WALLS REMOVED FOR CLARITY.

- Repeat process for all remaining doors and windows in your cabin.

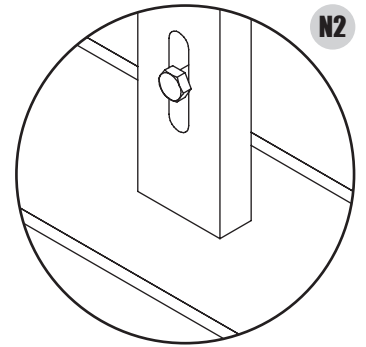
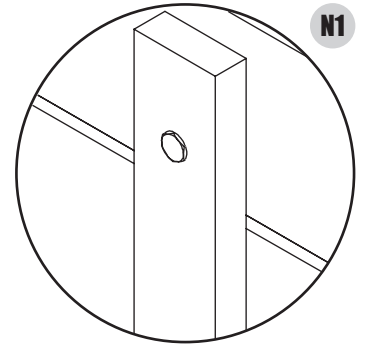
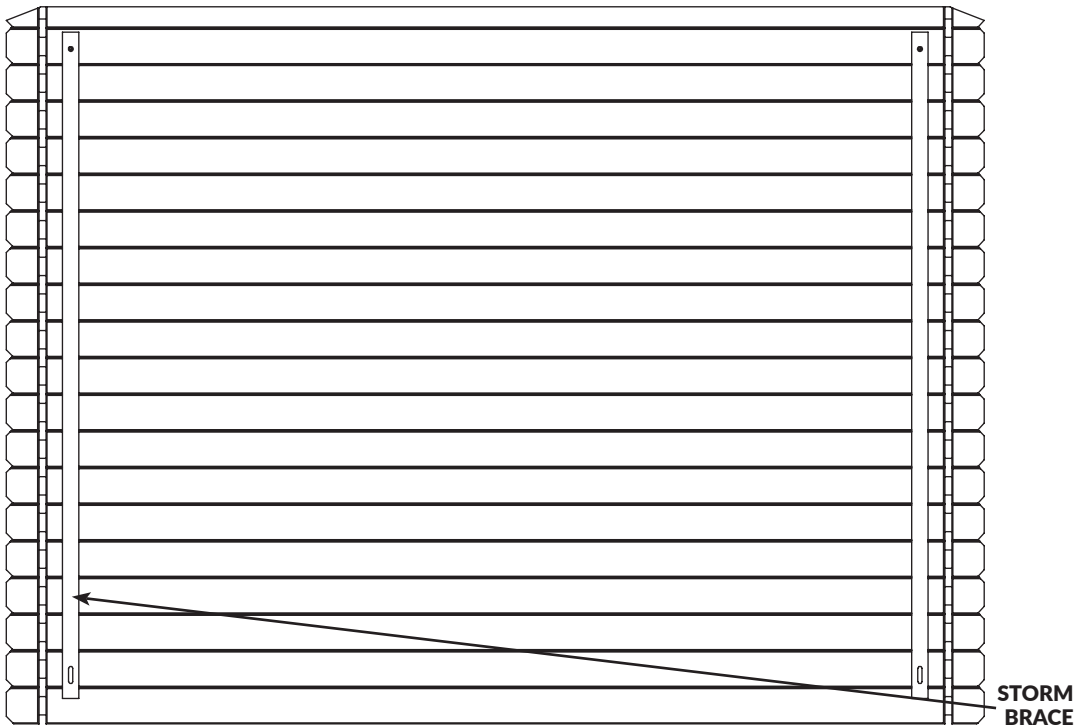


Timber is a natural product; any log or board can expand and contract. This may cause slight gapping in the log cabin which can be rectified by un-screwing and re-screwing fascia boards over the course of the year.

Step 15:

ATTACH STORM BRACES

- Fix storm braces to the inside of gables with 2x CB40 provided. Always leave the bottom CB40 slack enough to let the storm brace move as the cabin expands and contracts. **(Detail N1 & N2)**

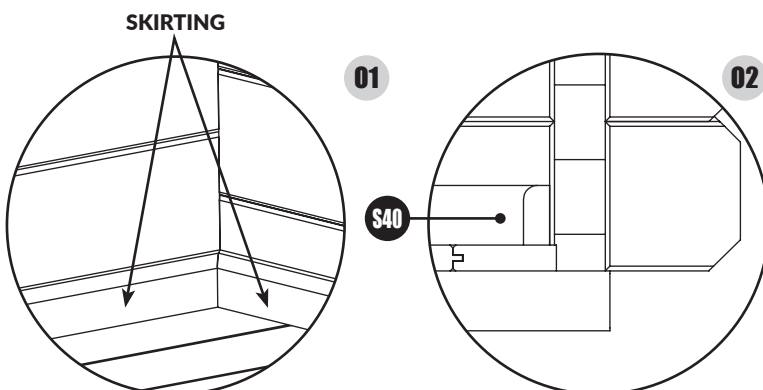


Step 16:

FIT INTERNAL SKIRTING

- Arrange the skirting around the outside edge of floor (internally), measure and cut down if required to best match the internal space.
- Secure each skirting section into place using 3x S40 evenly spaced along the length. **(Detail O1 & O2)**

NOTE: DO NOT FIX THE SKIRTING TO THE FLOORBOARDS.





Head Office

Calverley Lane,
Rodley,
Leeds,
West Yorkshire,
LS13 1NP

Telephone: 0113 205 4189
Website: tigersheds.com
Email: customersupport@tigersheds.com



SCAN CODE!
TO SEE GENERAL ACCESSORY &
INSTALLATION VIDEO LIBRARY

