

# Assembly Instruction

**Tools Required:** Flathead screwdriver, Phillips screwdriver, pliers, wire cutters, wire strippers, electrical tape, safety glasses.

**Bulb Recommended:** (3) Candelabra Base 60W Maximum

**Estimated Assembly Time:** 30-45 minutes

**Preparation:** Identify and inspect all parts before beginning installation. Check package content list and diagrams below to be sure all parts are present. If any parts are missing or damaged, do not attempt to assemble, install, or operate the fixture. Contact customer service for replacement parts.



## Warnings and Cautions

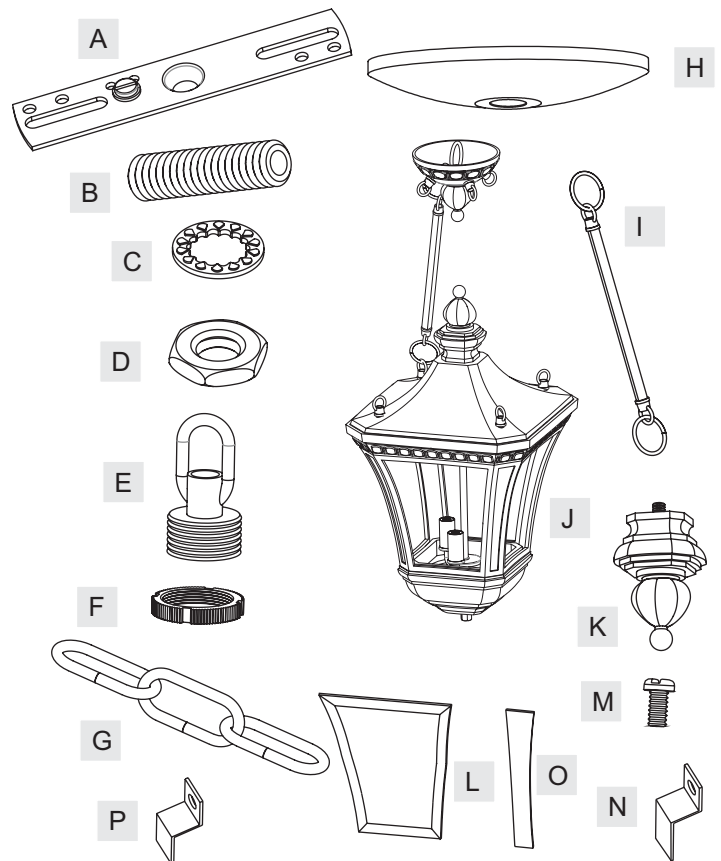
Turn off electricity at circuit breaker or main fuse box before installation. Consult a licensed electrician if in doubt.

These instructions are provided for your safety. It is very important you read them completely before installing the fixture. We strongly recommend that a licensed, professional electrician perform the installation.

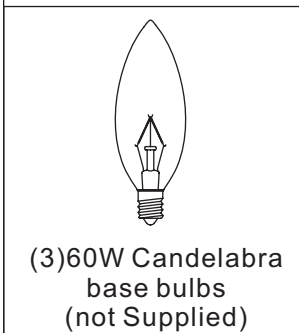
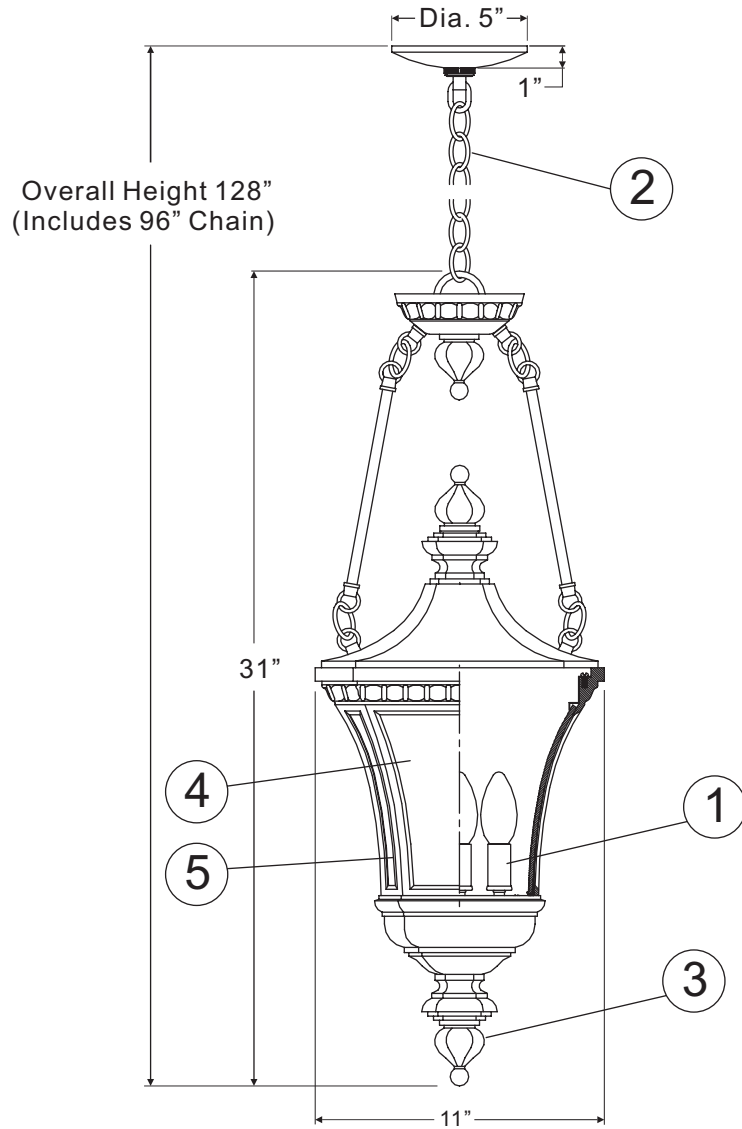
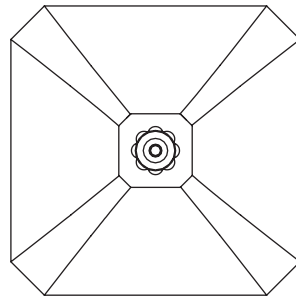
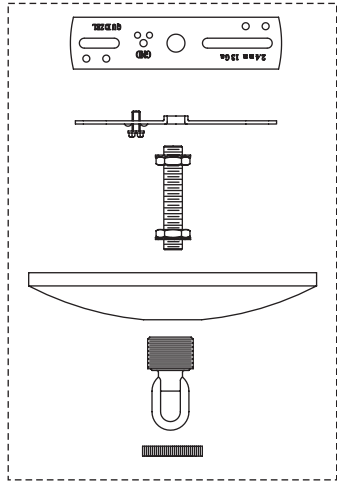
Disconnect fixture from power source before replacing bulbs. Make sure bulbs are given sufficient time to cool before removal. Do not subject glass parts to any shock while in operation or shattering may result.

## Package Contents

Part	Description	Quantity
A	Crossbar	1 pc.
B	Nipple	1 pc.
C	Lock Washer	2 pcs.
D	Hex Nut	2 pcs.
E	Canopy Chain Loop	1 pc.
F	Canopy Lock Ring	1 pc.
G	Fixture Chain	1 pc.
H	Ceiling Canopy	1 pc.
I	Side Arm	3 pcs.
J	Frame Assembly	1 pc.
K	Finial Assembly	1 pc.
L	Large Glass Panel	4 pcs.
M	Lock Screw	8 pcs.
N	Loog Tab	4 pcs.
O	Small Glass Panel	4 pcs.
N	Short Tab	4 pcs.



FINISH: IMPERIAL BRONZE



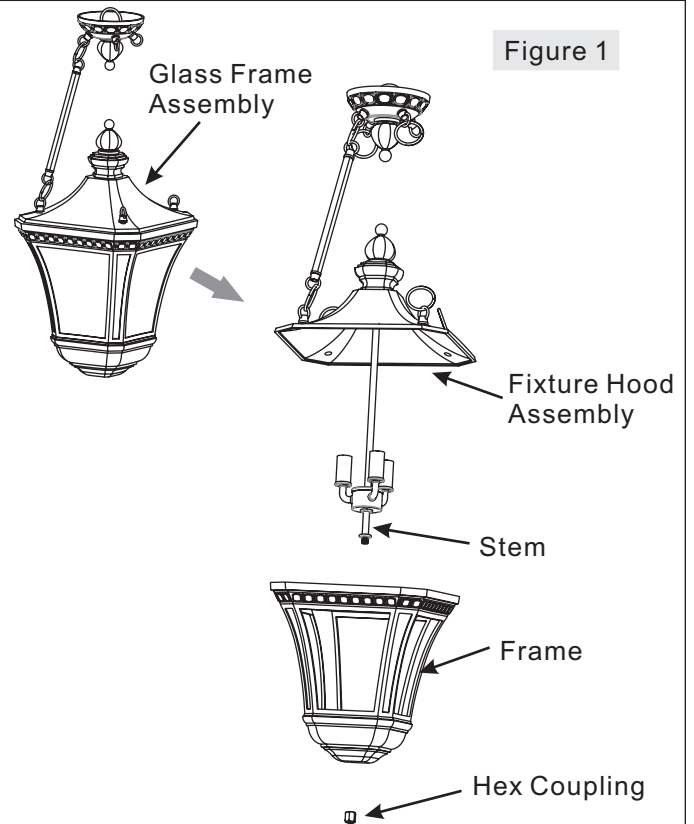
NOTE: ALL DIMENSIONS ARE ROUNDED UP TO THE NEAREST 1/2"

NO.	PART NUMBER	REPLACEMENT PART DESCRIPTION	REQ.
1		CDCV IMPBRZ REPL CANDLE COVER	3
2		CHAIN IMPR BRNZ 3.8MM X 4'	0
3		FINL IMPBRZ REPL	1
4		PANL LRG CLR BEV REPL	4
5		PANL SML CLR BEV REPL	4

# Assembly Instruction

## STEP 1 – Remove Glass Frame from Fixture Hood Assembly

- A. Prior to assembly, remove the Frame from the Fixture Hood Assembly by unscrewing the Hex Coupling.



## STEP 2 – Attach Glass

- A. Slip Large Glass Panels (L) and Small Glass Panels (O) inside of the Fixture Frame as shown. Locate Long Tabs (N) onto the top edge of the Large Glass Panels (L) and locate Short Tabs (N) onto the top edge of the Small Glass Panels (O). Line up holes on Tabs onto Mounting Holes in the Fixture Frame. Thread Lock Screws (M) into mounting holes and hand tighten until snug to secure the Glass Panels.

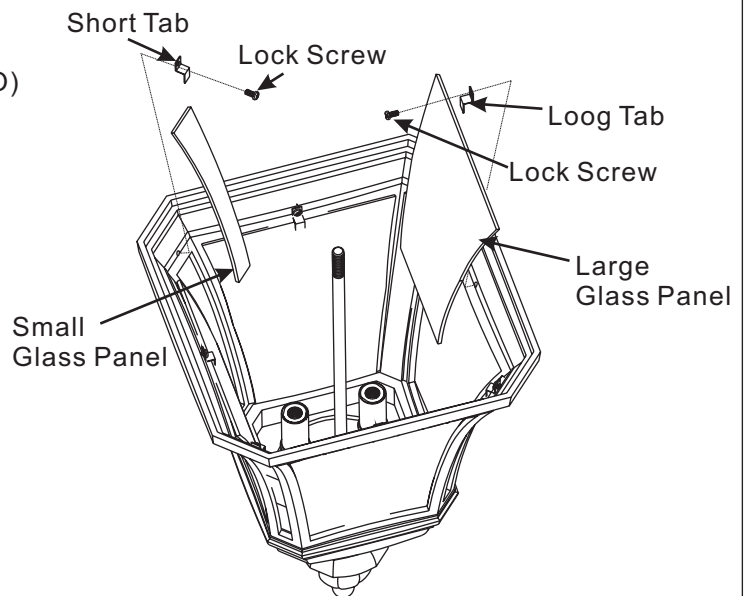


Figure 2

# Assembly Instruction

## STEP 3 – Install Bulb

- A. This fixture uses standard bulb with a candelabra screw base. Maximum 60 watts.
- B. Insert bulb and screw snugly into place.

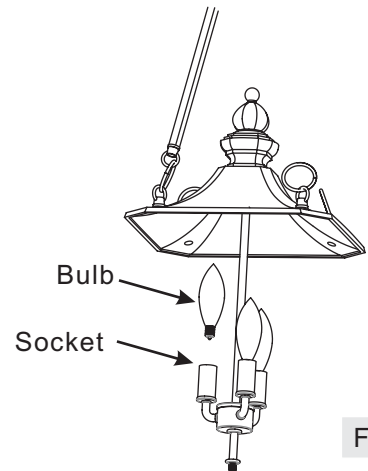
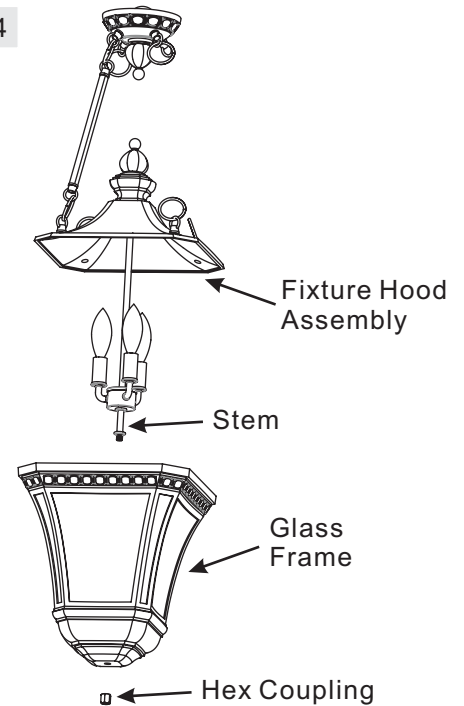


Figure 3

## STEP 4 – Attach Glass Frame to Fixture Hood Assembly

- A. Place the Glass Frame over the Stem on the bottom center of the Fixture Hood Assembly. Secure by threading the Hex Coupling onto the Stem. Hand tighten until snug.

Figure 4



# Assembly Instruction

## STEP 5 – Attach Side Arms to Small Loops on Fixture Canopy and Fixture Hood

- A. Using pliers with a cloth, open the Loops on the ends of the Side Arm (I). Attach the ends of the Side Arm (I) to the Small Loops on the side of the Fixture Canopy and the Fixture Hood. Close the Loops on the ends of the Side Arm (I).

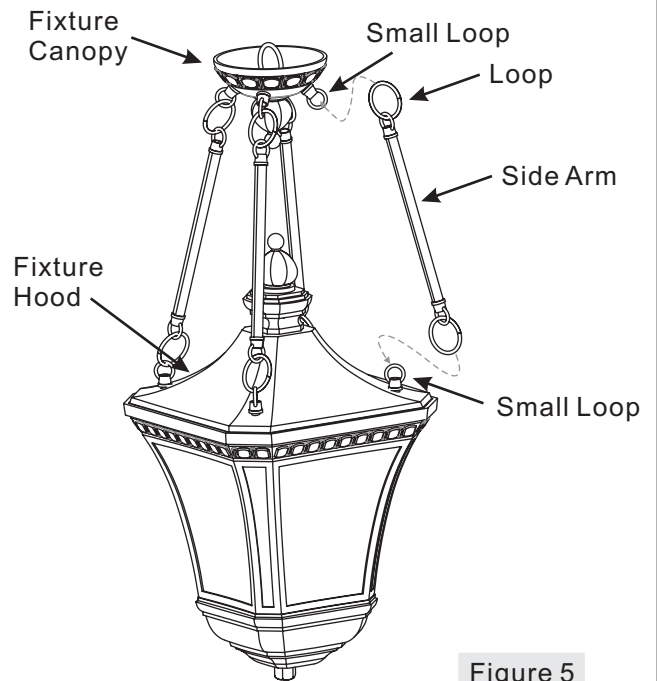


Figure 5

## STEP 6 – Attach Crossbar to Outlet Box

- A. Secure the Crossbar (A) to the outlet box with outlet box screws (not supplied). Tighten until snug.

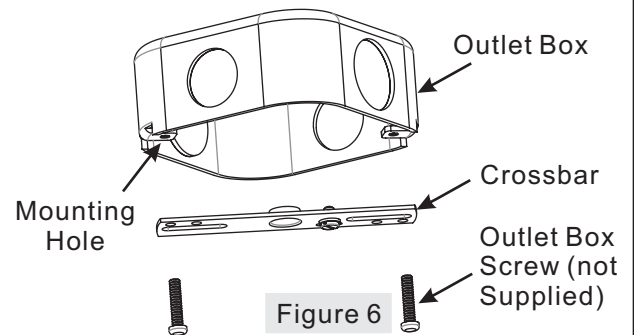


Figure 6

## STEP 7 – Attach Nipple to Crossbar

- A. Thread one Hex Nut (D) onto the top end of the Nipple (B).  
B. Place one Lock Washer (C) over the top end of the Nipple (B) and then thread the Nipple (B) into the center lock hole of the Crossbar (A).  
C. Using pliers, thread the hex Nut (D) against the Crossbar (A) and hand tighten until snug.

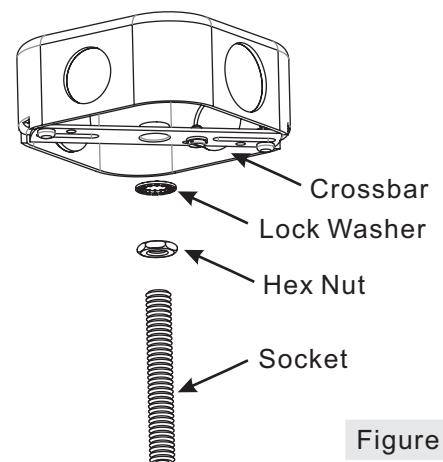


Figure 7

# Assembly Instruction

## STEP 8 – Attach Canopy Chain Loop to Nipple

- A. Thread another Hex Nut (D) onto the end of the Nipple (B).
- B. Place the Lock Washer (C) over the end of the Nipple (B) and then thread the Canopy Chain Loop (E) onto the end of the Nipple (B).
- C. Using pliers, thread the Hex Nut (D) against the Canopy Chain Loop (E) and hand tighten until snug.

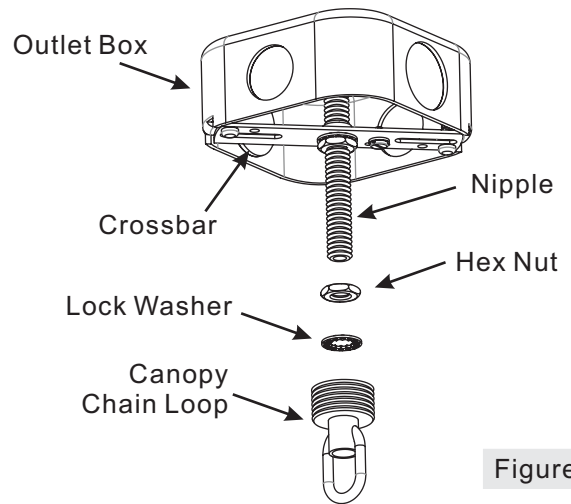


Figure 8

## STEP 9 – Assemble Ceiling Canopy

- A. Push the Ceiling Canopy (H) upward over the Outlet Box. Thread the Canopy Lock Ring (F) onto the Canopy Chain Loop (E) and tighten until snug to secure the Ceiling Canopy (H).

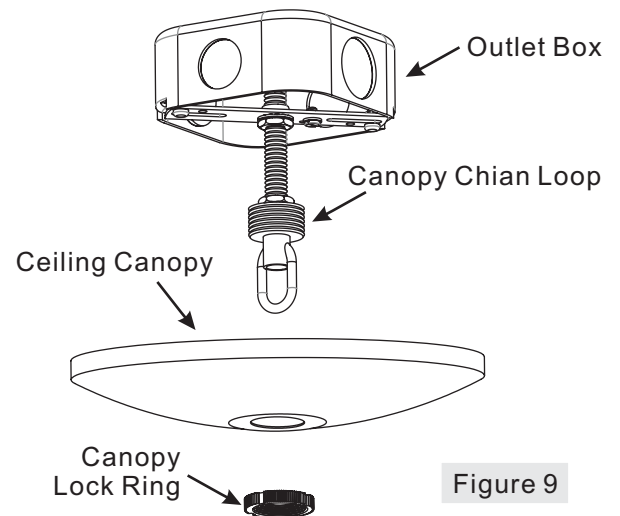
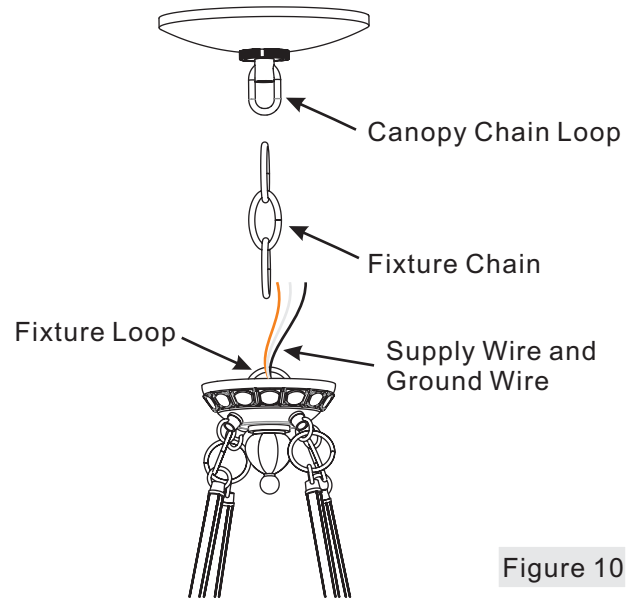


Figure 9

# Assembly Instruction

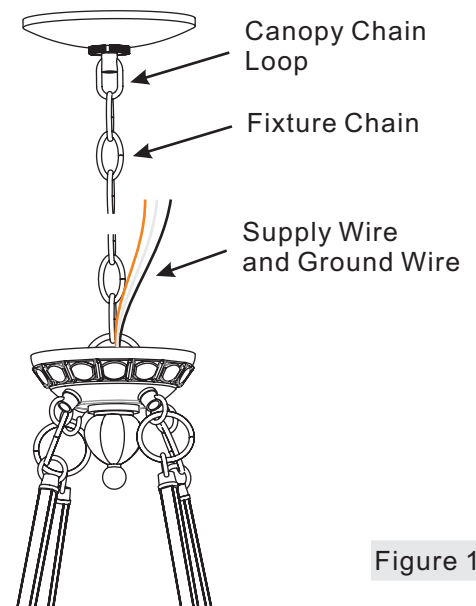
## STEP 10 – Attach Fixture Chain to Canopy Chain Loop and Fixture Loop

- A. Adjust the Fixture Chain (G) to your desired length by removing the links if needed. You may need to use plier to open the chain links. If so, put a cloth over the chain to protect the finish from the pliers.
- B. Attach one end of the Fixture Chain (G) onto the Canopy Chain Loop (E) and then attach the other end of the Fixture Chain (G) onto the Fixture Loop on the top of the fixture.



## STEP 11 – Pass Supply Wires through Fixture Chain

- A. Pull the Supply Wires and Ground Wire up through the Fixture Chain (G) alternating links. Push the wires up through the Canopy Chain Loop (E) into the outlet box.



# Assembly Instruction

## STEP 12 – Make Wire Connections

- A. Un-thread the Canopy Lock Ring (F) and slide Canopy Lock Ring (F) and Ceiling Canopy (H) down the Fixture Chain (G).
- B. Push all slack fixture wire through Canopy Chain Loop (E) into Outlet Box. Trim excess fixture wire leaving a minimum of 6 inch. Hanging out of the Outlet Box.
- C. Use standard wire connectors to make all wire connections. (Connectors are not included with fixture.) Strip and prepare wire ends according to instructions supplied with connectors.
- D. Connect White Supply Wire from the Outlet Box to White Wire from fixture.
- E. Connect Black (or Red) Supply Wire from the Outlet Box to Black Wire from fixture.
- F. Connect Ground Wire from the Outlet Box to Ground Wire from fixture.
- G. Twist connectors until wires are tightly joined together.
- H. Wrap each connection with approved electrical tape and carefully stuff all the connected wires into the Outlet Box.
- G. Re-attach the Ceiling Canopy (H) as shown in Step 8.

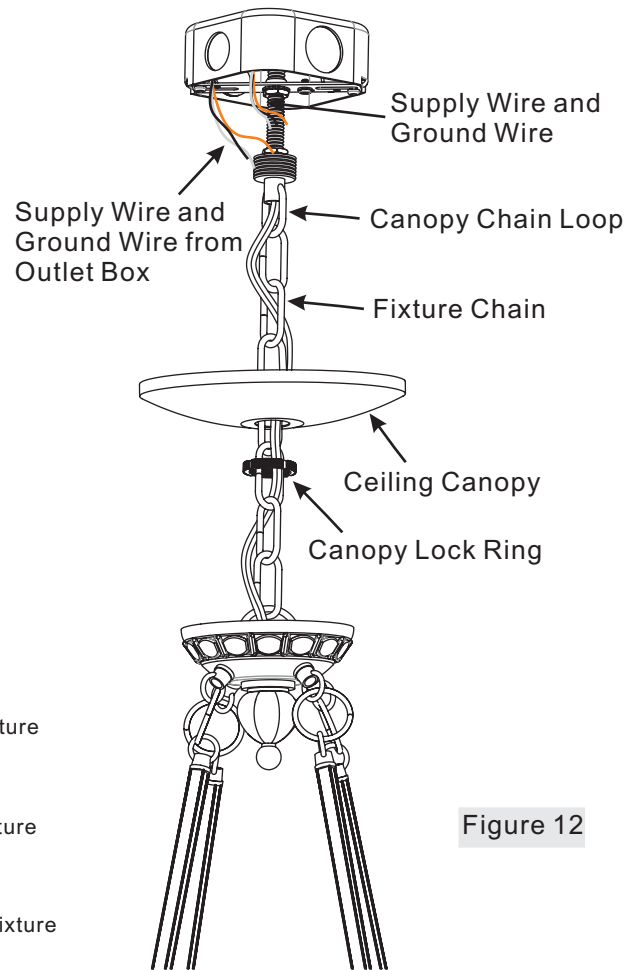


Figure 12

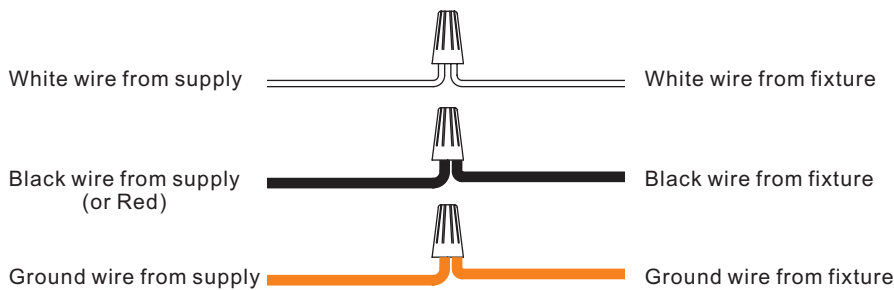


Figure 13

## STEP 13 – Attach Finial Assembly to Glass Frame

- A. Remove the Strut Member and the Nipple from the Finial.
- B. Screw one end of the Nipple into the Hex Coupling on the bottom center of the Glass Frame. Hand tighten until snug.
- C. Pass the Strut Member over the top end of the Nipple and secure with the Finial. Hand tighten until snug.

Your fixture hanging lamp is now assembled and ready to use. Enjoy!

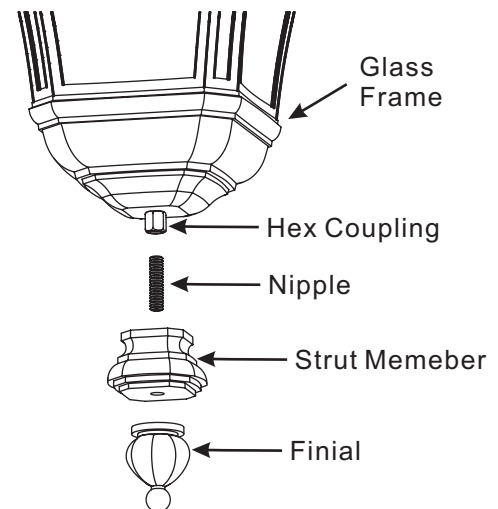


Figure 14