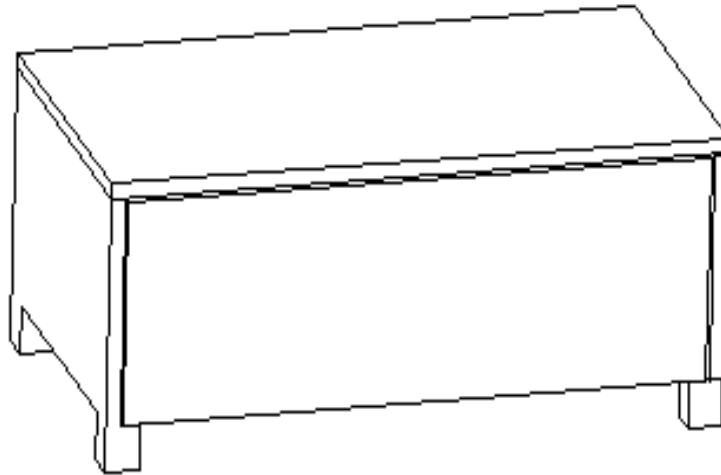


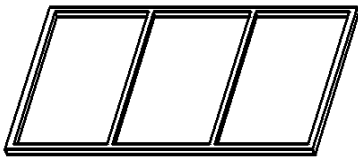

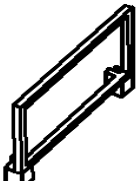
Assembly Instructions

Caution : You must read this before you proceed




Coffee Table



Parts List

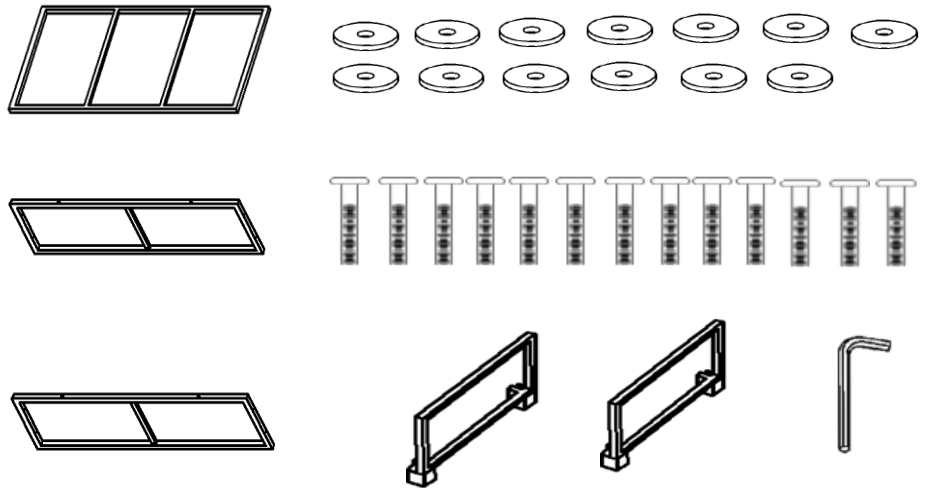
Label	Picture	Description	QTY
A		Top Panel	1
B		Front & Back Panel	2
C		Side Panel	2

Hardware

Label	Picture	Description	QTY
①		Bolt (M6*40mm)	13
②		Washer	13
③		Allen Key	1

Assembly Preparation

Before Beginning Assembly:



- Read instructions, cover to cover-



- Have 2 adults on hand for assembly-



- Do not assemble on flooring or carpet-



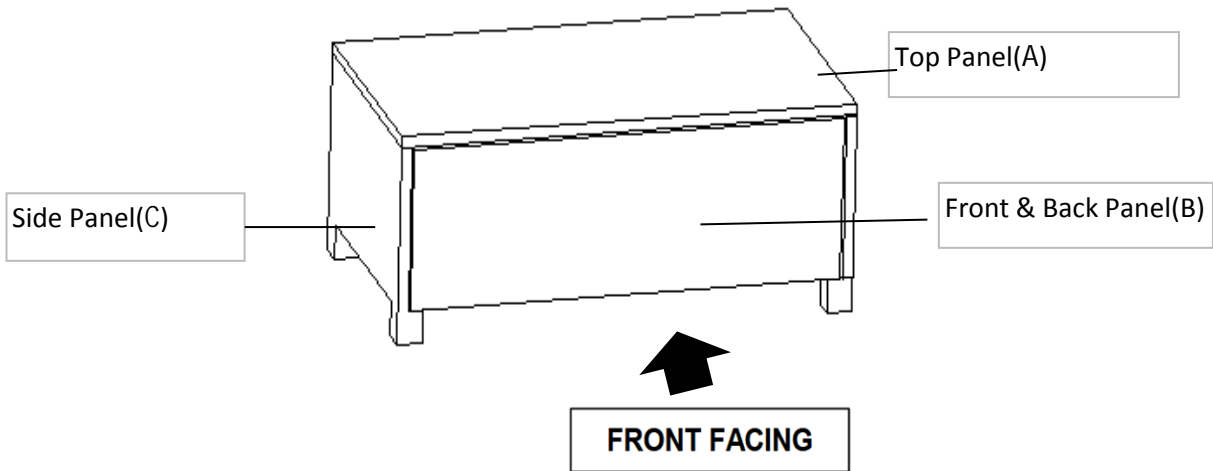
- Assemble on a clean non-marring surface (packing foam)-



- Save all packaging until finished-

Assembly Steps

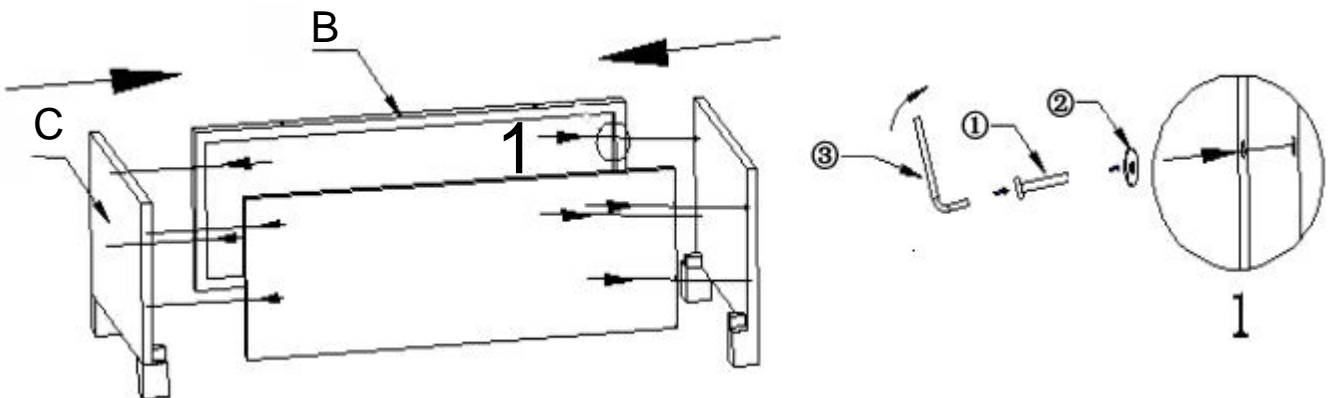
Overview



This Coffee Table has multiple parts and may require up to some 30 minutes to assemble. To give you an overview of Coffee Table parts, the above picture is to help you put the various parts into perspective. Please read through the instructions here below to familiarise yourself with the parts and steps before assembly.

Assembly Steps

Step 1

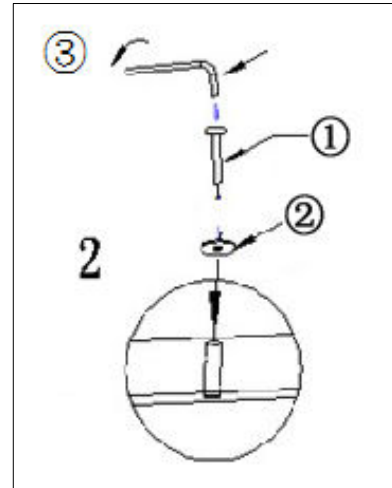
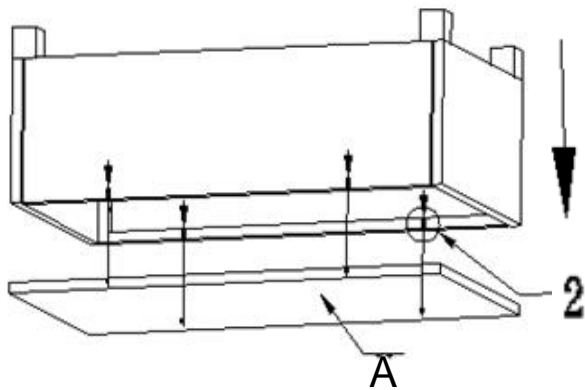


Open the carton and place all the parts onto a clean and soft surface, compare the real parts with the list above to make sure every parts is available.

Get total 4 panels in their upright positions, attach each Side Panel(C) to Front & Back Panle(B) with Washer(②) and Bolt(②) by using the Allen Key(③) to form a body base.

Do not fully tighten the bolts at this stage.

Step 2

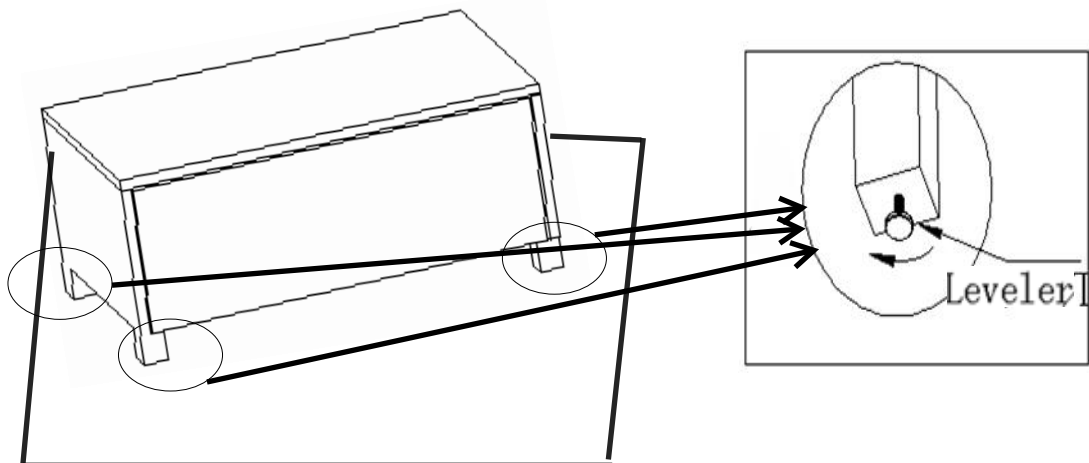


Put the Top Panel(A) with its face down onto a soft and clean surface, turn the body base upside down and place it onto the Top Panel(A).

Attach the Top Panel(A) with Washer(2) Bolt() by using the the Allen Key(3) to make a whole body.

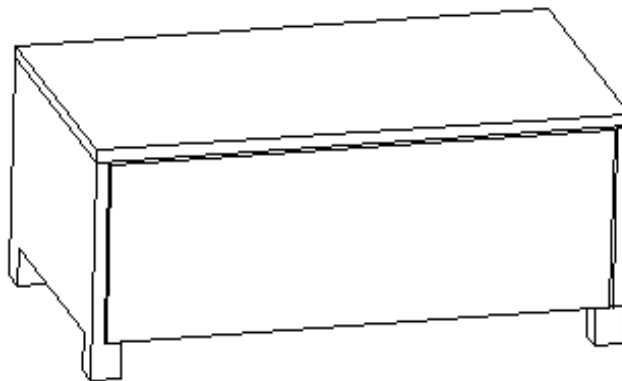
Do not fully tighten the bolts.

Step 3



Adjust the Leveler to ensure good stability.





















Step 4



Your table is ready for use.

This Table can only be used on a flat, level surface.

Care & Maintenance

-   ● Do not put hot items directly on furniture surface
 -   ● Do not clean furniture with harsh cleansers or polish.
 -   ● To obtain the longest lifespan of your outdoor products, minimizing exposure to direct sunlight is recommended.
 -   ● Children should not climb or jump on the furniture.
 -   ● Do not write on furniture without a padded barrier to protect the surface.
 -   ● To obtain the longest lifespan of your outdoor products, avoid extended and lengthy exposure to rain, snow, and direct sunshine. Whenever possible cover the product and /or place under patio or awnings.
 -   ● Not for commercial use. For residential use only .
 -   ● Stains may be removed with mild soap solution and damp cloth.
 -   ● Keep away from sources of ignition.
-
-   ● Dust and pick-up spills using a clean, non-colored, lint-free cloth.

Questions & Answers about Proposition 65

• What is Proposition 65?

Proposition 65 requires businesses to provide warnings to Californians about significant exposures to chemicals that cause cancer, birth defects or other reproductive harm. These chemicals can be in the products that Californians purchase, in their homes or workplaces, or that are released into the environment. By requiring that this information be provided, Proposition 65 enables Californians to make informed decisions about their exposures to these chemicals.

Proposition 65 also prohibits California businesses from knowingly discharging significant amounts of listed chemicals into sources of drinking water.

Proposition 65 requires California to publish a list of chemicals known to cause cancer, birth defects or other reproductive harm. This list, which must be updated at least once a year, has grown to include approximately 900 chemicals since it was first published in 1987.

• What types of chemicals are on the Proposition 65 list?

The list contains a wide range of naturally occurring and synthetic chemicals that include additives or ingredients in pesticides, common household products, food, drugs, dyes, or solvents. Listed chemicals may also be used in manufacturing and construction, or they may be byproducts of chemical processes, such as motor vehicle exhaust.

• What does a warning mean?

If a warning is placed on a product label or posted or distributed at a workplace, a business, or in rental housing, the business issuing the warning is aware or believes that it is exposing individuals to one or more listed chemicals.

By law, a warning must be given for listed chemicals unless the exposure is low enough to pose no significant risk of cancer or is significantly below levels observed to cause birth defects or other reproductive harm.

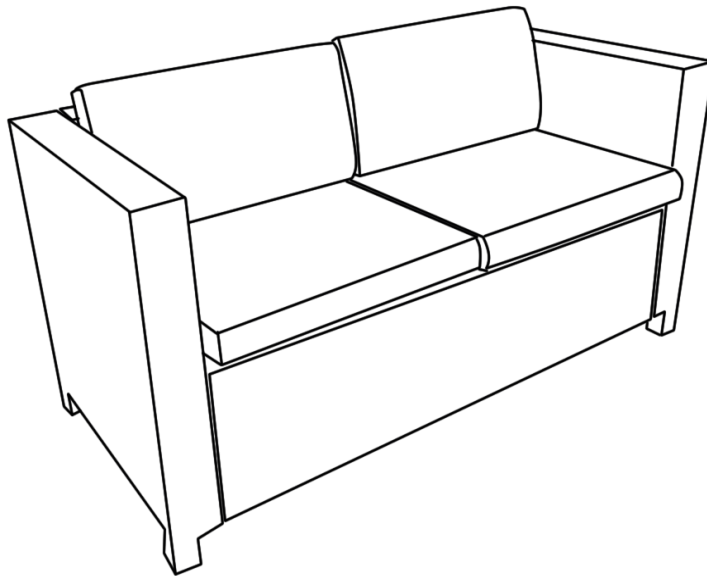
• Where can I get more information on Proposition 65?

If you have specific questions on the administration or implementation of Proposition 65, you can contact OEHHA's Proposition 65 program at P65.Questions@oehha.ca.gov, or by phone at (916) 445-6900.


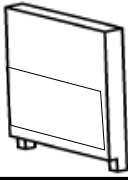
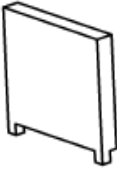
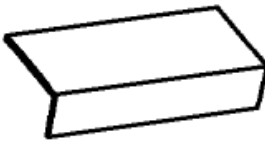
Assembly Instructions

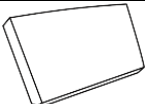
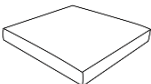
Caution : You must read this before you proceed

Loveseat






Parts List

Label	Picture	Description	QTY
D		Loveseat - Backrest	1
E		Right Armrest	1
F		Left Armrest	1
G		Seat	1

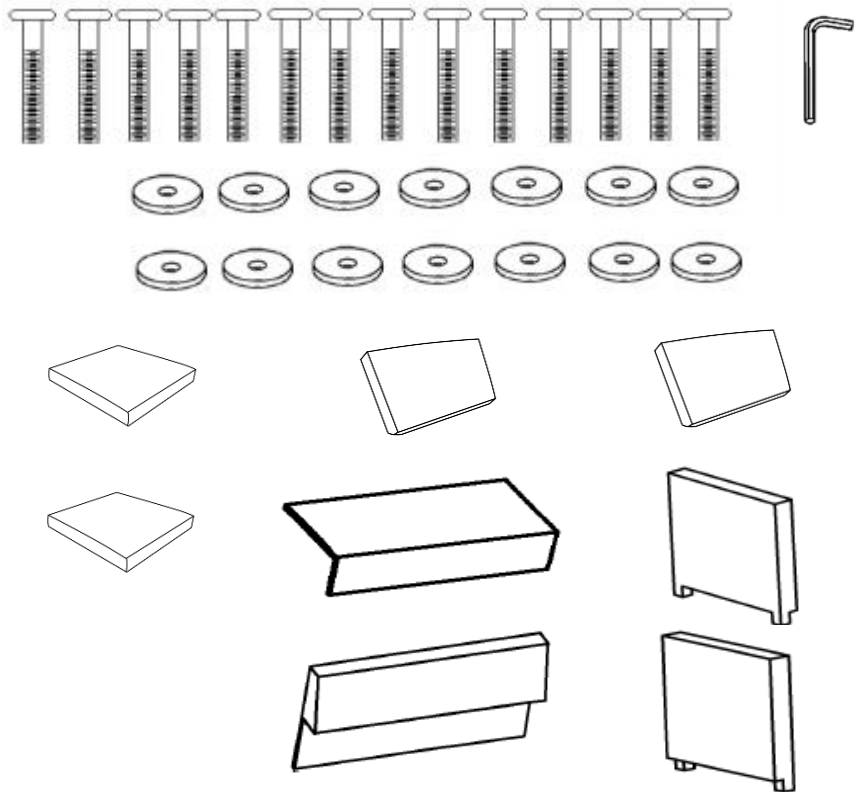
H1		Back Cushion	2
H2		Seat Cushion	2

Hardware

Label	Picture	Description	QTY
①		Bolt (M6*40mm)	14
②		Washer	14
③		Allen Key	1

Assembly Preparation

Before Beginning Assembly:



- Read instructions, cover to cover-



- Have 2 adults on hand for assembly-



- Do not assemble on flooring or carpet-



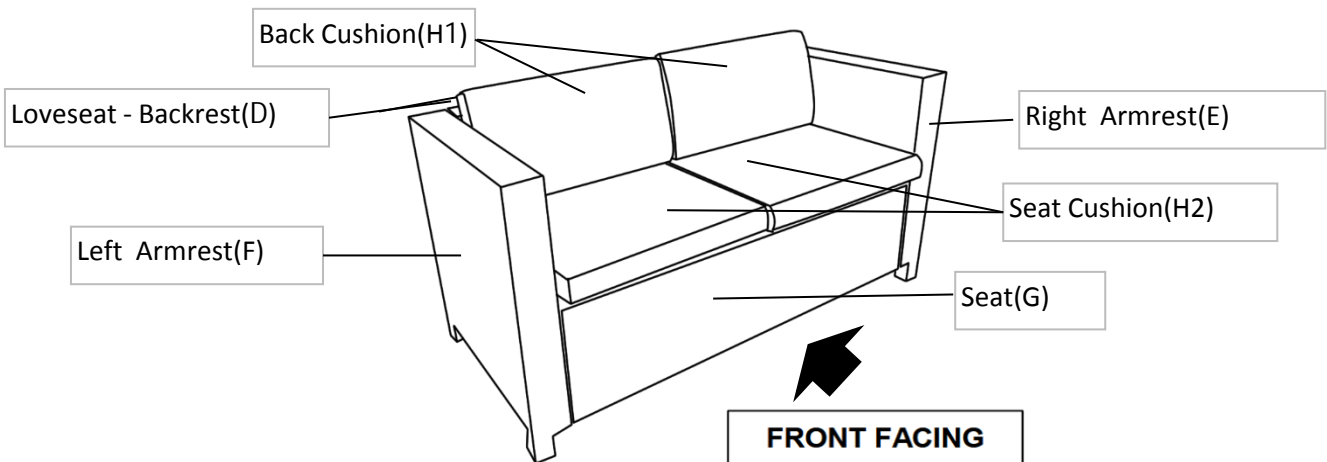
- Assemble on a clean non-marring surface (packing foam)-



- Save all packaging until finished-

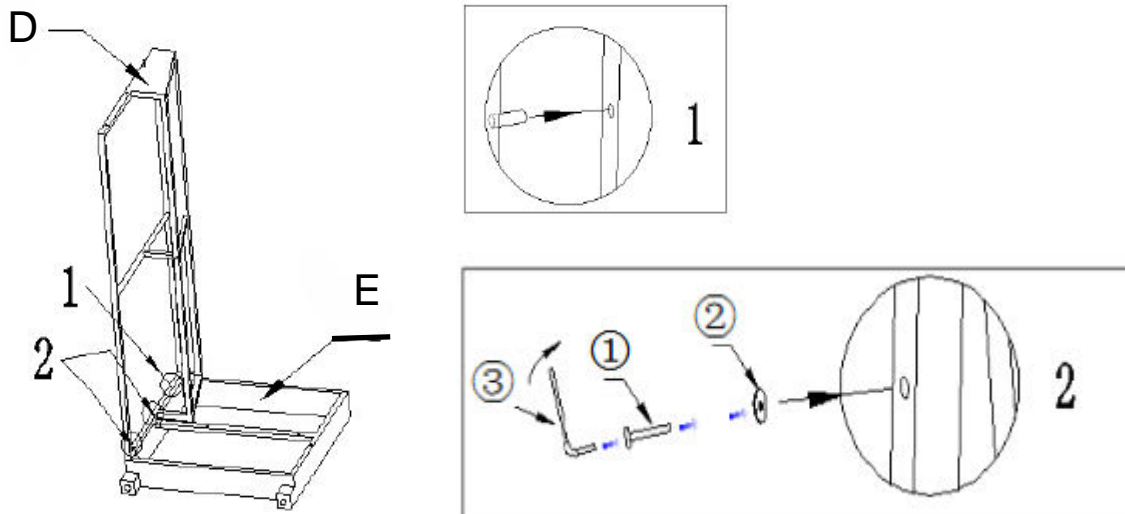
Assembly Steps

Overview



This Loveseat has multiple parts and may require up to some 30 minutes to assemble. To give you an overview of the Loveseat parts, the above picture is to help you put the various parts into perspective. Please read through the instructions here below to familiarise yourself with the parts and steps before assembly.

Step 1



Open the carton and place all the parts onto a clean and soft surface.

Unpack all packages of hardware.

Place the Right Armrest(B) with its inner side, facing skywards .

Put the Backrest(D) against the Right Armrest(E), make the metal rod on the Backrest(A) insert into the MOUNTING POSITIONS of Right Armrest(E) as picture 1 shows.

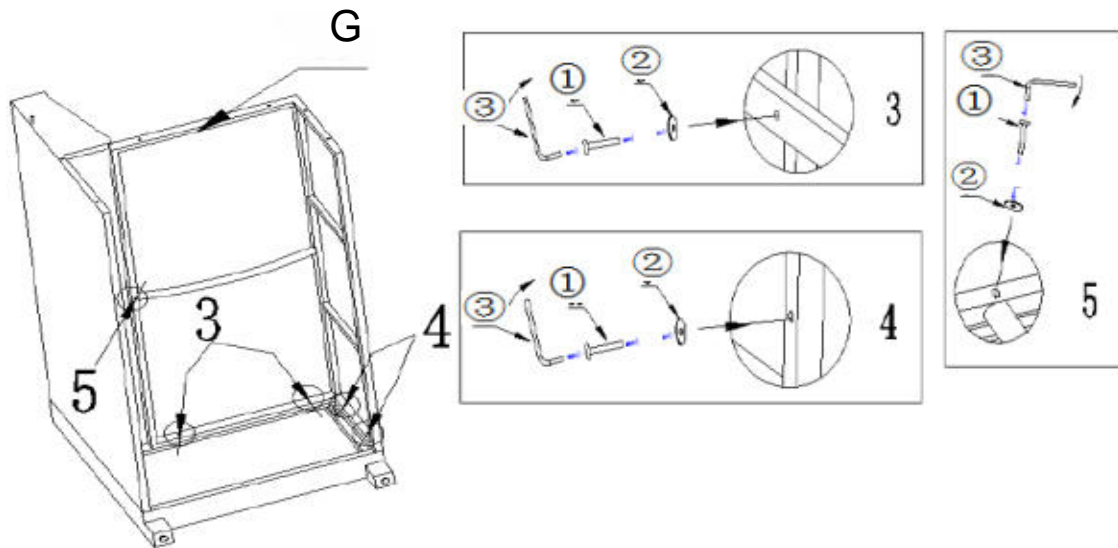
Attach Backrest(G) and Right Armrest(B) together with hardware as picture 2 shows.

Use an Allen Key() to partially tighten these.

Do not Fully Tighten at this stage.

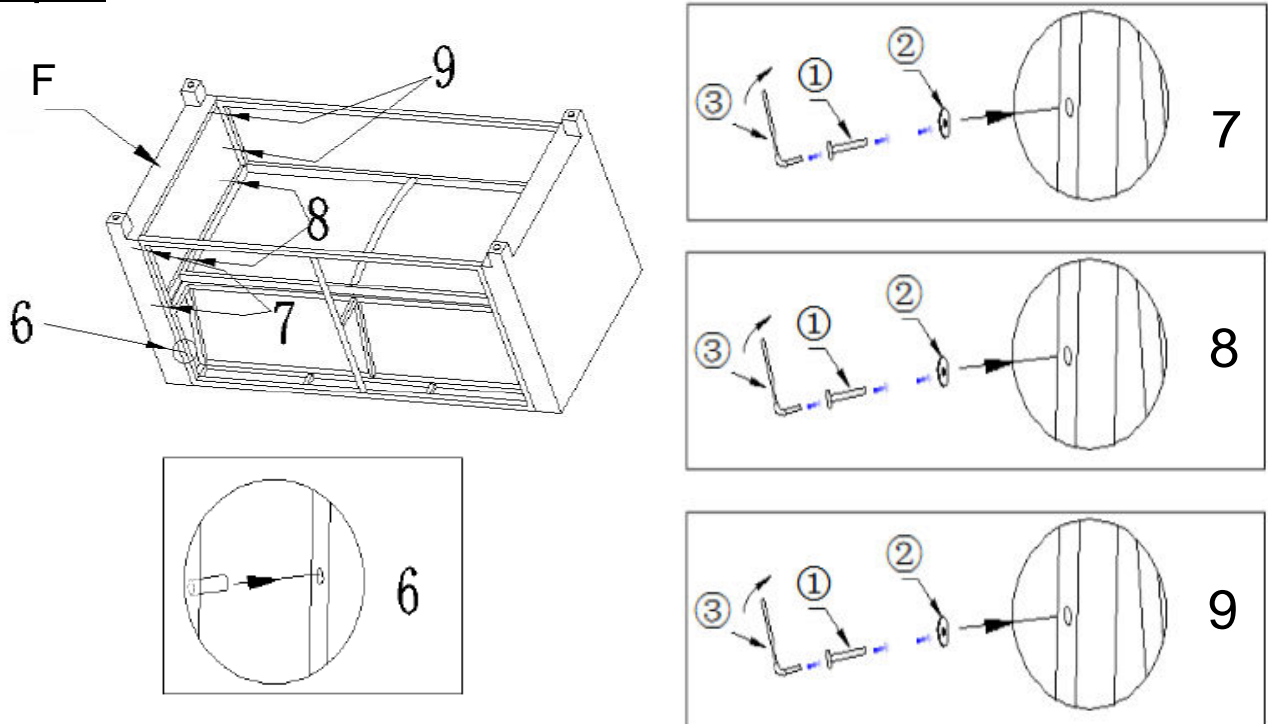
There may be some PE wicker that may have covered the bolt points. To ease assembly, guide and slide the PE wicker away from the mounting positions. DO NOT CUT AWAY any PE WICKER as this would cause the wicker to unravel !

Step 2



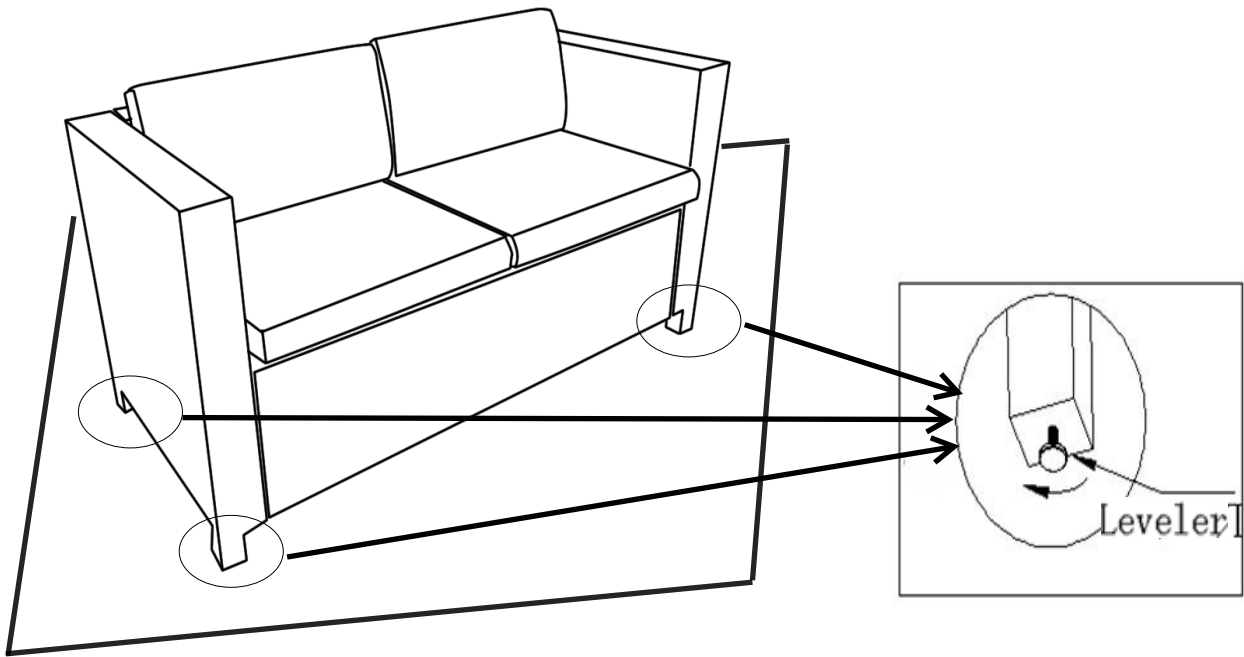
Place the Seat (G) between the Right Armrest(E) and Backrest(D).
Attach the Seat(G) to the Right Armrest(E) with hardware as picture 3 and 4 shows.
Attach Seat(G) to the Backrest(D) with hardware as picture 5 shows.
Use an Allen Key(③) to partially tighten these.
Do not Fully Tighten at this stage.

Step 3



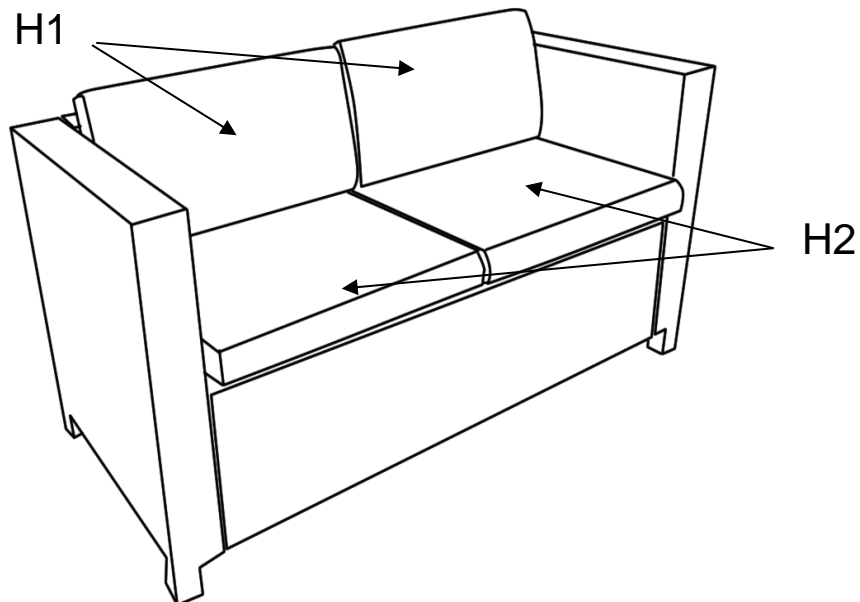
Place the Left Armrest (F) against the Backrest(D) and the Seat(G).
Make the metal rod on Backrest(D) insert into the MOUNTING POSITIONS of Left Armrest(F) as picture 6 shows.
Attach the Backrest (D) to the Left Armrest(F) with hardware as picture 7 shows.
Attach the Seat(G) to the Left Armrest(F) with hardware as picture 8 and 9 shows.
Use an Allen Key(③) to partially tighten these.
Do not Fully Tighten at this stage.

Step 4



Adjust the Leveler to ensure good stability.





















Step 5



Put the Seat Cushion(H2) & Back Cushion(H1) on the Loveseat.
Your Loveseat is ready for use.

This Loveseat can only be used on a flat, level surface.

Care & Maintenance

-   ● Do not put hot items directly on furniture surface
 -   ● Do not clean furniture with harsh cleansers or polish.
 -   ● To obtain the longest lifespan of your outdoor products, minimizing exposure to direct sunlight is recommended.
 -   ● Children should not climb or jump on the furniture.
 -   ● Do not write on furniture without a padded barrier to protect the surface.
 -   ● To obtain the longest lifespan of your outdoor products, avoid extended and lengthy exposure to rain, snow, and direct sunshine. Whenever possible cover the product and /or place under patio or awnings.
 -   ● Not for commercial use. For residential use only .
 -   ● Stains may be removed with mild soap solution and damp cloth.
 -   ● Keep away from sources of ignition.
-
-   ● Dust and pick-up spills using a clean, non-colored, lint-free cloth.

Questions & Answers about Proposition 65

• What is Proposition 65?

Proposition 65 requires businesses to provide warnings to Californians about significant exposures to chemicals that cause cancer, birth defects or other reproductive harm. These chemicals can be in the products that Californians purchase, in their homes or workplaces, or that are released into the environment. By requiring that this information be provided, Proposition 65 enables Californians to make informed decisions about their exposures to these chemicals.

Proposition 65 also prohibits California businesses from knowingly discharging significant amounts of listed chemicals into sources of drinking water.

Proposition 65 requires California to publish a list of chemicals known to cause cancer, birth defects or other reproductive harm. This list, which must be updated at least once a year, has grown to include approximately 900 chemicals since it was first published in 1987.

• What types of chemicals are on the Proposition 65 list?

The list contains a wide range of naturally occurring and synthetic chemicals that include additives or ingredients in pesticides, common household products, food, drugs, dyes, or solvents. Listed chemicals may also be used in manufacturing and construction, or they may be byproducts of chemical processes, such as motor vehicle exhaust.

• What does a warning mean?

If a warning is placed on a product label or posted or distributed at a workplace, a business, or in rental housing, the business issuing the warning is aware or believes that it is exposing individuals to one or more listed chemicals.

By law, a warning must be given for listed chemicals unless the exposure is low enough to pose no significant risk of cancer or is significantly below levels observed to cause birth defects or other reproductive harm.

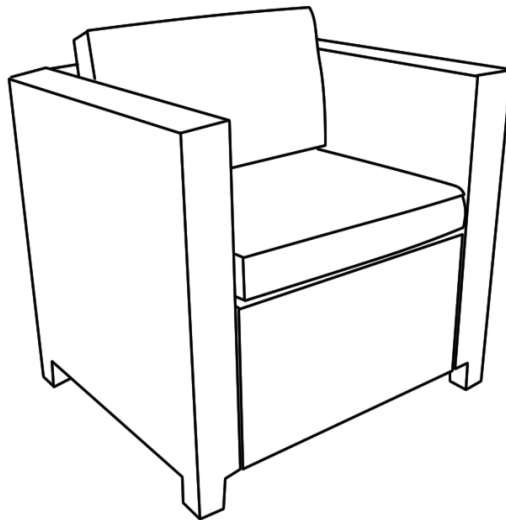
• Where can I get more information on Proposition 65?

If you have specific questions on the administration or implementation of Proposition 65, you can contact OEHHA's Proposition 65 program at P65.Questions@oehha.ca.gov, or by phone at (916) 445-6900.

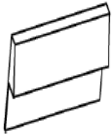
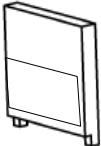
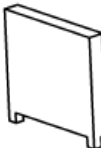
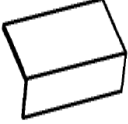

Assembly Instructions

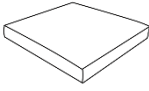
Caution : You must read this before you proceed

Chair






Parts List

Label	Picture	Description	QTY
I		Chair - Backrest	1
E		Right Armrest	1
F		Left Armrest	1
L		Seat	1
M1		Back Cushion	1

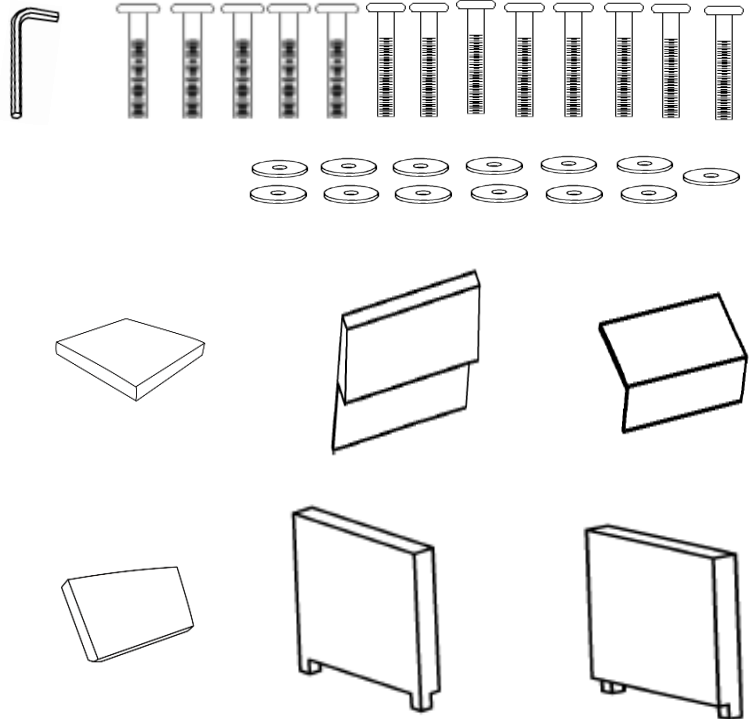
M2		Seat Cushion	1
----	---	--------------	---

Hardware

Label	Picture		QTY
①		Bolt M6*40mm	13
②		Washer	13
③		Allen Key	1

Assembly Preparation

Before Beginning Assembly:




- Read instructions, cover to cover-



- Have 2 adults on hand for assembly-



- Do not assemble on flooring or carpet-



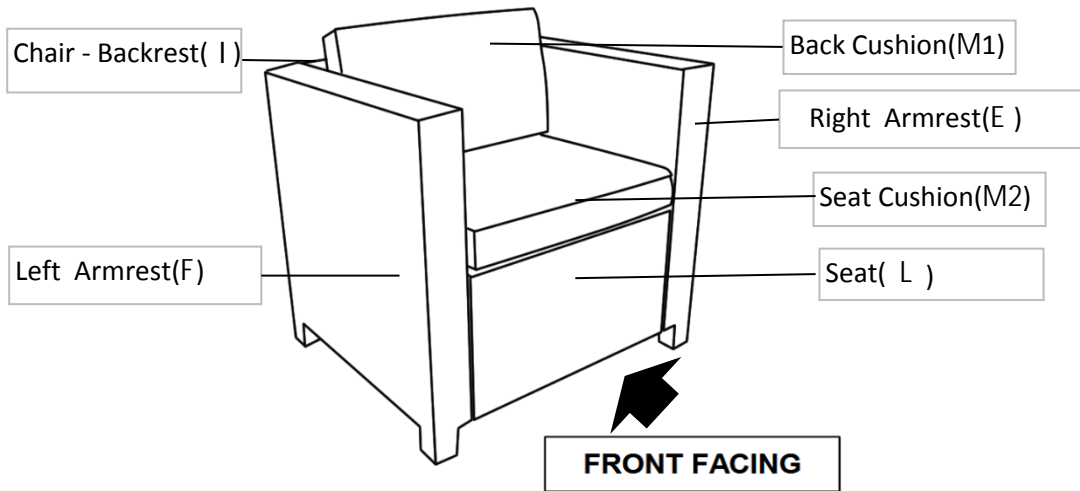
- Assemble on a clean non-marring surface (packing foam)-



- Save all packaging until finished-

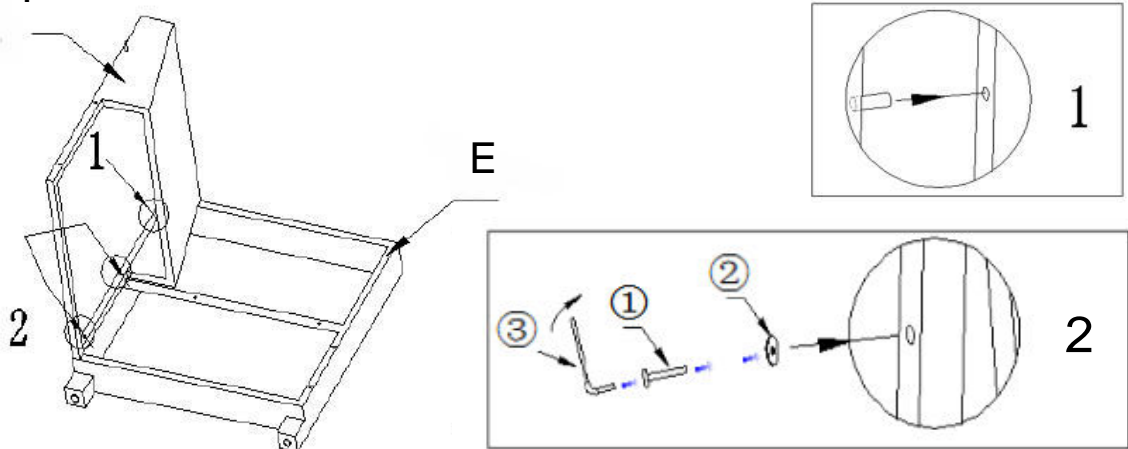
Assembly Steps

Overview



This Chair has multiple parts and may require up to some 30 minutes to assemble. To give you an overview of the Chair parts, the above picture is to help you put the various parts into perspective. Please read through the instructions herebelow to familiarise yourself with the parts and steps before assembly.

Step 1



Open the carton and place all the parts onto a clean and soft surface.

Unpack all packages of hardware.

Place the Right Armrest (E) with its inside facing skywards.

Put the Backrest(I) against the Right Armrest(E), make the metal rod on the Backrest(I) insert into the MOUNTING POSITIONS of the Right Armrest(E) as picture 1 shows.

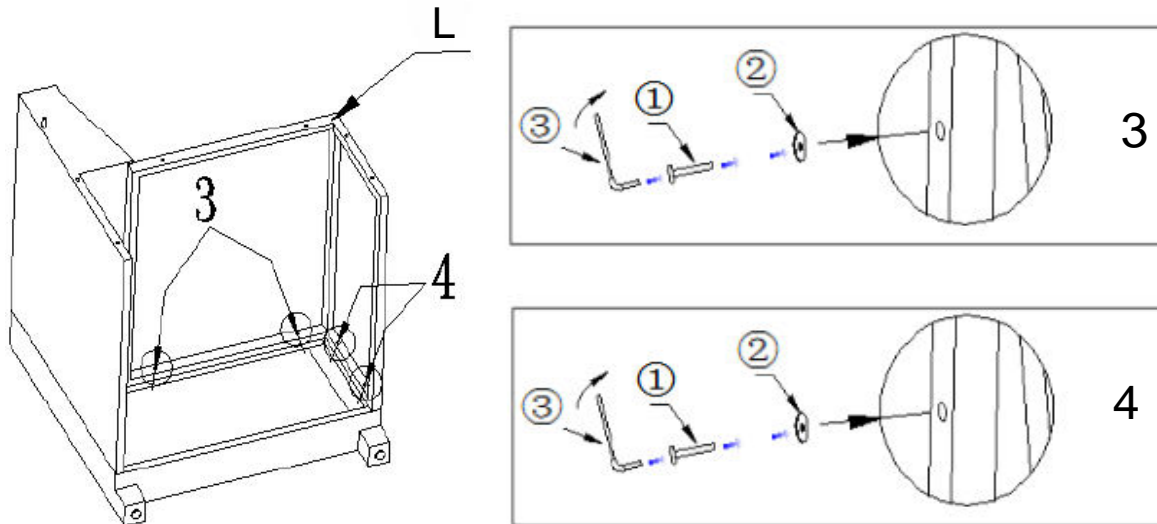
Then attach Backrest(I) and Right Armrest(E) together with hardware as picture 2 shows.

Use an Allen Key() to partially tighten these.

Do not fully tighten the bolts.

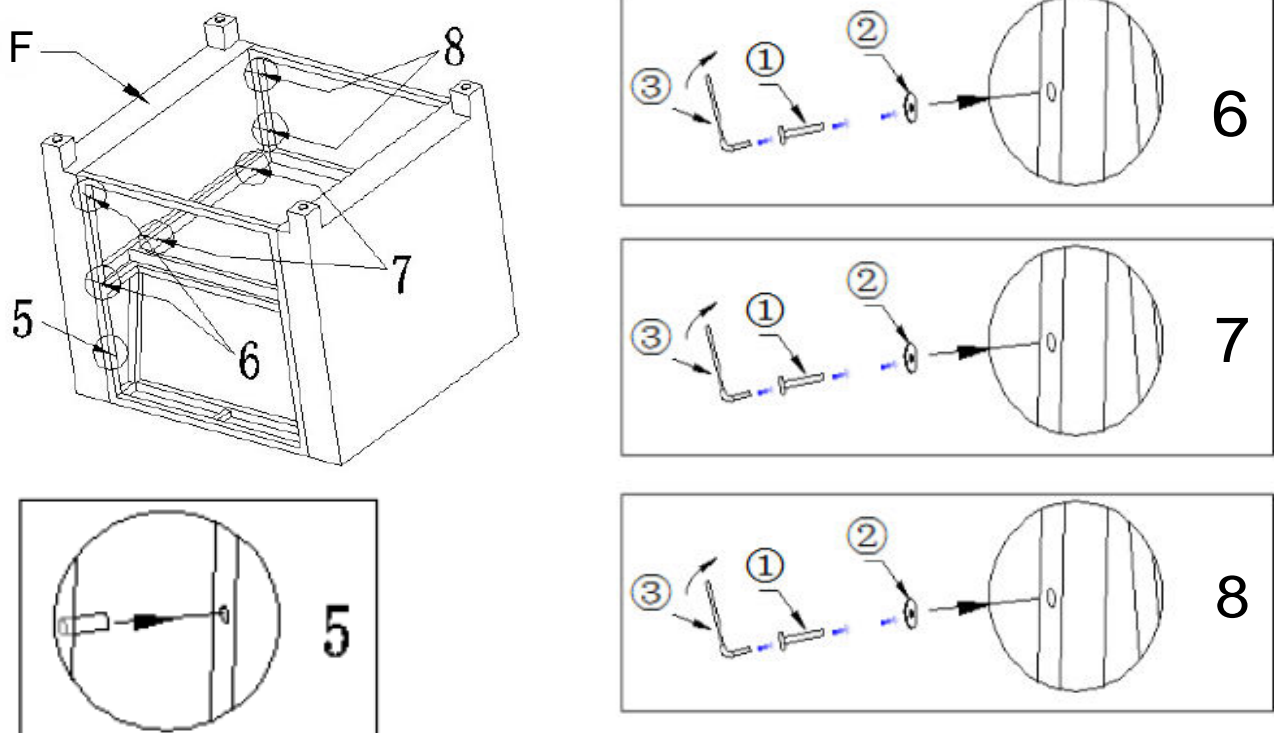
It can happen that some of the PE wicker covers the bolt points, preventing easy assembly the PE wicker should not be cut but only moved away from the mounting positions.

Step 2



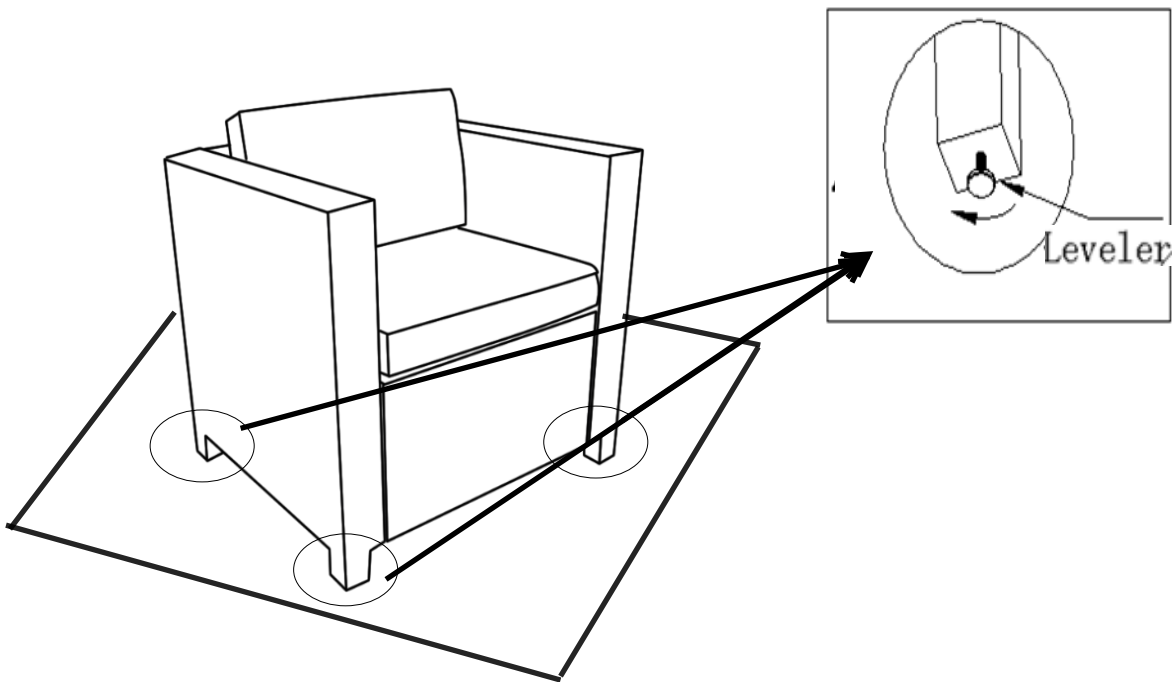
Place the Seat (L) between the Right Armrest(E) and Backrest(I).
Attach the Seat(L) to the Right Armrest(E) with hardware as picture 3 and 4 shows.
Use an Allen Key() to partially tighten these.
Do not fully tighten the bolts.

Step 3



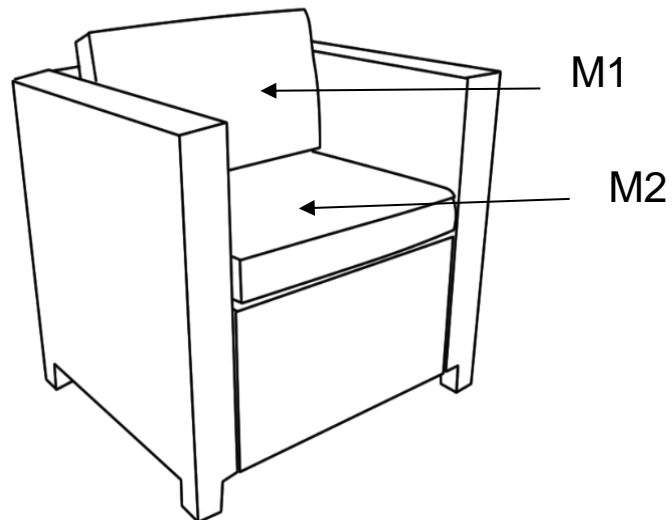
Place the Left Armrest (F) against the Backrest(I) and Seat(L).
Make the metal rod on the Backrest(I) insert into the MOUNTING POSITIONS of the Left Armrest(F) as picture 5 shows.
Attach the Left Armrest(F) to Backrest(I) with hardware as picture 6 shows.
Attach the Left Armrest(F) to Seat(L) with hardware as picture 7 and 8 shows.
Use an Allen Key(③) to partially tighten these.
Do not fully tighten the bolts.

Step 4



Tighten all bolts completely. adjust the Leveler to ensure good stability.





















Step 5



Put the Seat Cushion(M1) & Back Cushion(M2) on the Chair
It is ready for use.

This Chair can only be used on a flat, level surface.

Care & Maintenance

-   ● Do not put hot items directly on furniture surface
 -   ● Do not clean furniture with harsh cleansers or polish.
 -   ● To obtain the longest lifespan of your outdoor products, minimizing exposure to direct sunlight is recommended.
 -   ● Children should not climb or jump on the furniture.
 -   ● Do not write on furniture without a padded barrier to protect the surface.
 -   ● To obtain the longest lifespan of your outdoor products, avoid extended and lengthy exposure to rain, snow, and direct sunshine. Whenever possible cover the product and /or place under patio or awnings.
 -   ● Not for commercial use. For residential use only .
 -   ● Stains may be removed with mild soap solution and damp cloth.
 -   ● Keep away from sources of ignition.
-
-   ● Dust and pick-up spills using a clean, non-colored, lint-free cloth.

Questions & Answers about Proposition 65

• What is Proposition 65?

Proposition 65 requires businesses to provide warnings to Californians about significant exposures to chemicals that cause cancer, birth defects or other reproductive harm. These chemicals can be in the products that Californians purchase, in their homes or workplaces, or that are released into the environment. By requiring that this information be provided, Proposition 65 enables Californians to make informed decisions about their exposures to these chemicals.

Proposition 65 also prohibits California businesses from knowingly discharging significant amounts of listed chemicals into sources of drinking water.

Proposition 65 requires California to publish a list of chemicals known to cause cancer, birth defects or other reproductive harm. This list, which must be updated at least once a year, has grown to include approximately 900 chemicals since it was first published in 1987.

• What types of chemicals are on the Proposition 65 list?

The list contains a wide range of naturally occurring and synthetic chemicals that include additives or ingredients in pesticides, common household products, food, drugs, dyes, or solvents. Listed chemicals may also be used in manufacturing and construction, or they may be byproducts of chemical processes, such as motor vehicle exhaust.

• What does a warning mean?

If a warning is placed on a product label or posted or distributed at a workplace, a business, or in rental housing, the business issuing the warning is aware or believes that it is exposing individuals to one or more listed chemicals.

By law, a warning must be given for listed chemicals unless the exposure is low enough to pose no significant risk of cancer or is significantly below levels observed to cause birth defects or other reproductive harm.

• Where can I get more information on Proposition 65?

If you have specific questions on the administration or implementation of Proposition 65, you can contact OEHHA's Proposition 65 program at P65.Questions@oehha.ca.gov, or by phone at (916) 445-6900.