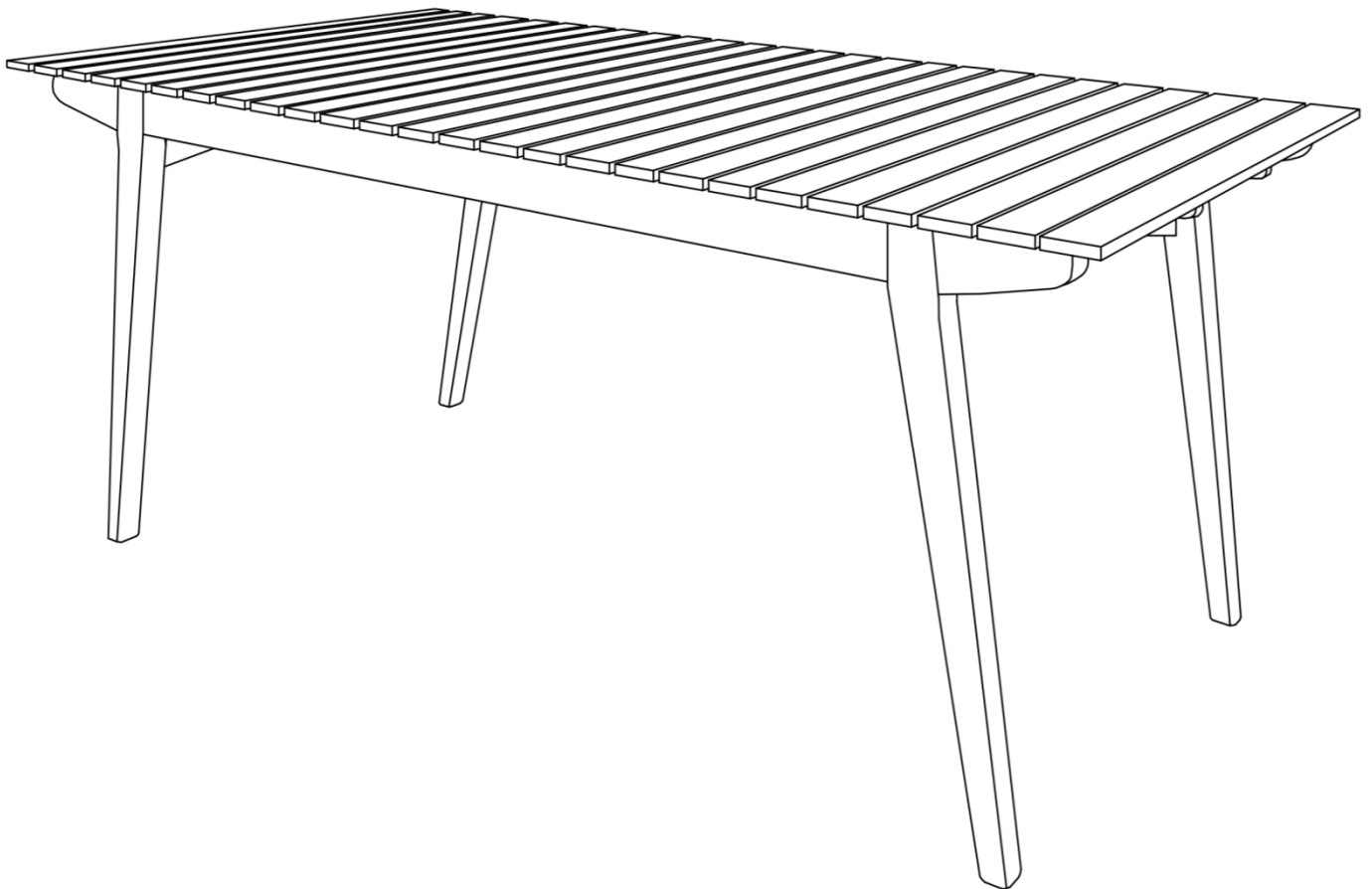


Assembly Instructions

TABLE

Caution : You must read this before you proceed

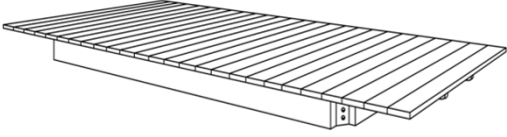
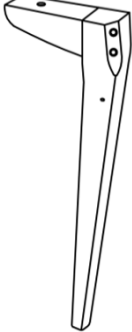
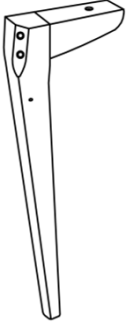
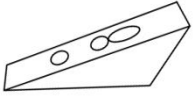


CAUTION : This Table is NOT a TOY.


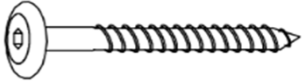
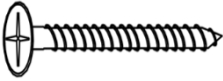



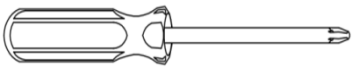
Keep your child / children at bay in the process of assembly.

For turning the Table and to prevent damage to the Table, 02 persons may be needed to execute this action.

Parts List

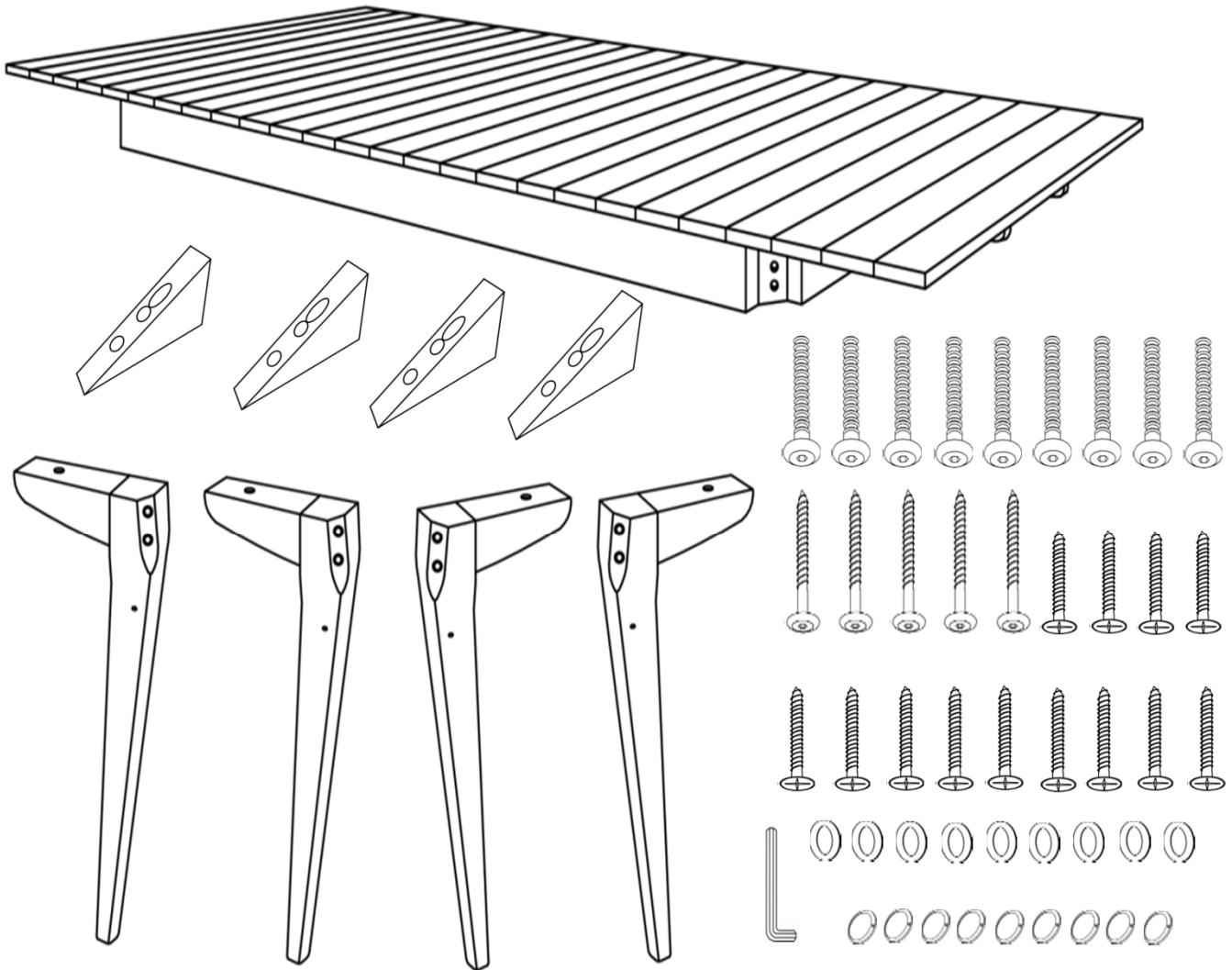
Label	Picture	Description	QTY
A		Table Top	1
B		First leg	2
C		Second leg	2
D		Wooden pad	4

Hardware

Label	Picture	Description	QTY
①		Bolt (M8x50mm)	9
②		Long Screw (M6x55mm)	5
③		Short Screw (M5x40mm)	13
④		Spring Washer (M8.5/14x2mm)	9
⑤		Flat Washer (M8.5/20x2mm)	9
⑥		Allen Key	1
⑦		Screw driver	Not provided

Assembly Preparation

Before Beginning Assembly:



- Read instructions, cover to cover-



- Have 2 adults on hand for assembly-



- Do not assemble on flooring or carpet-



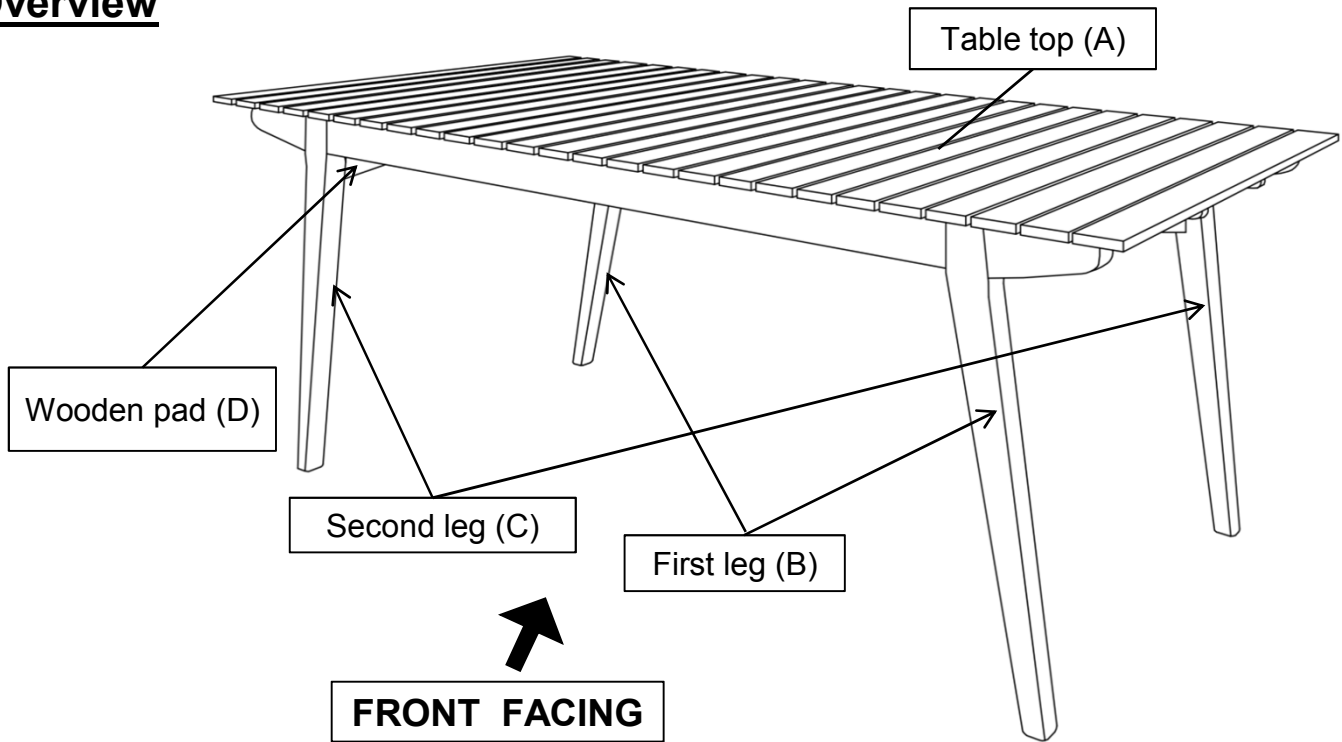
- Assemble on a clean non-marring surface (packing foam)-



- Save all packaging until finished-

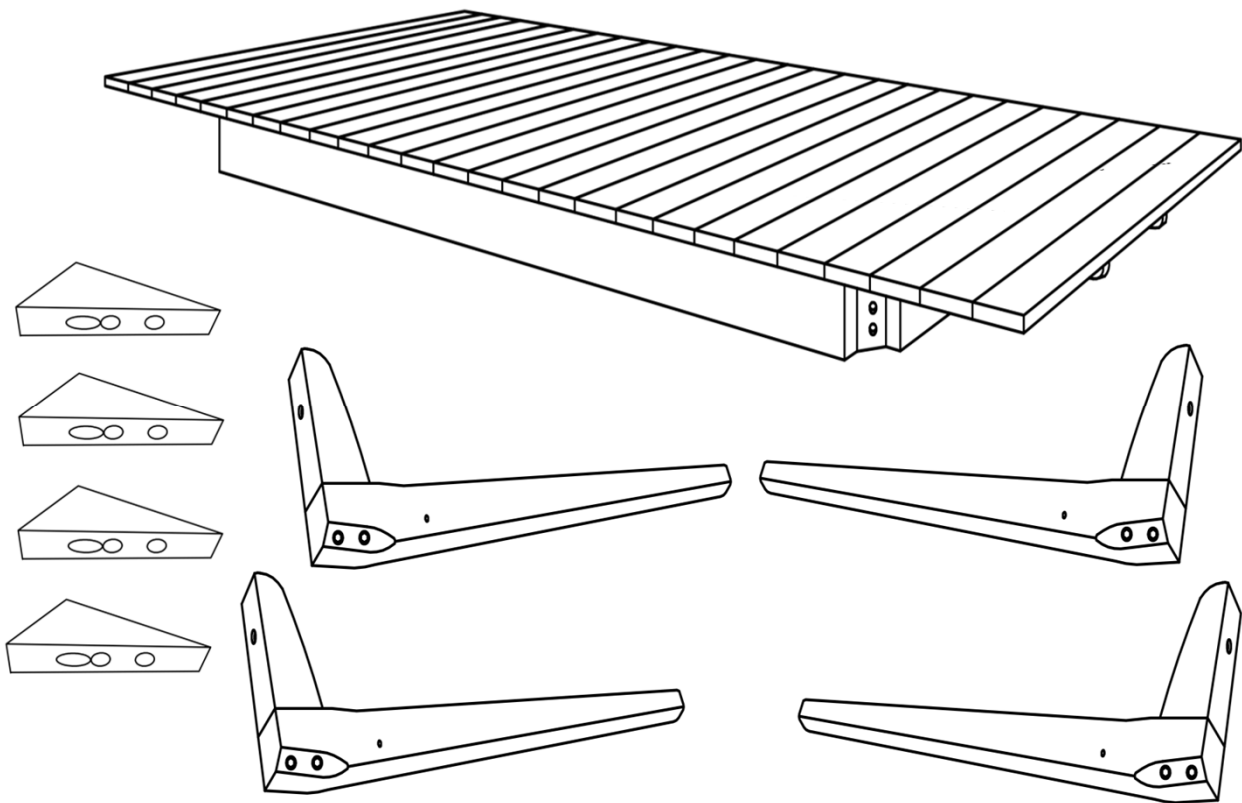
Assembly Steps

Overview



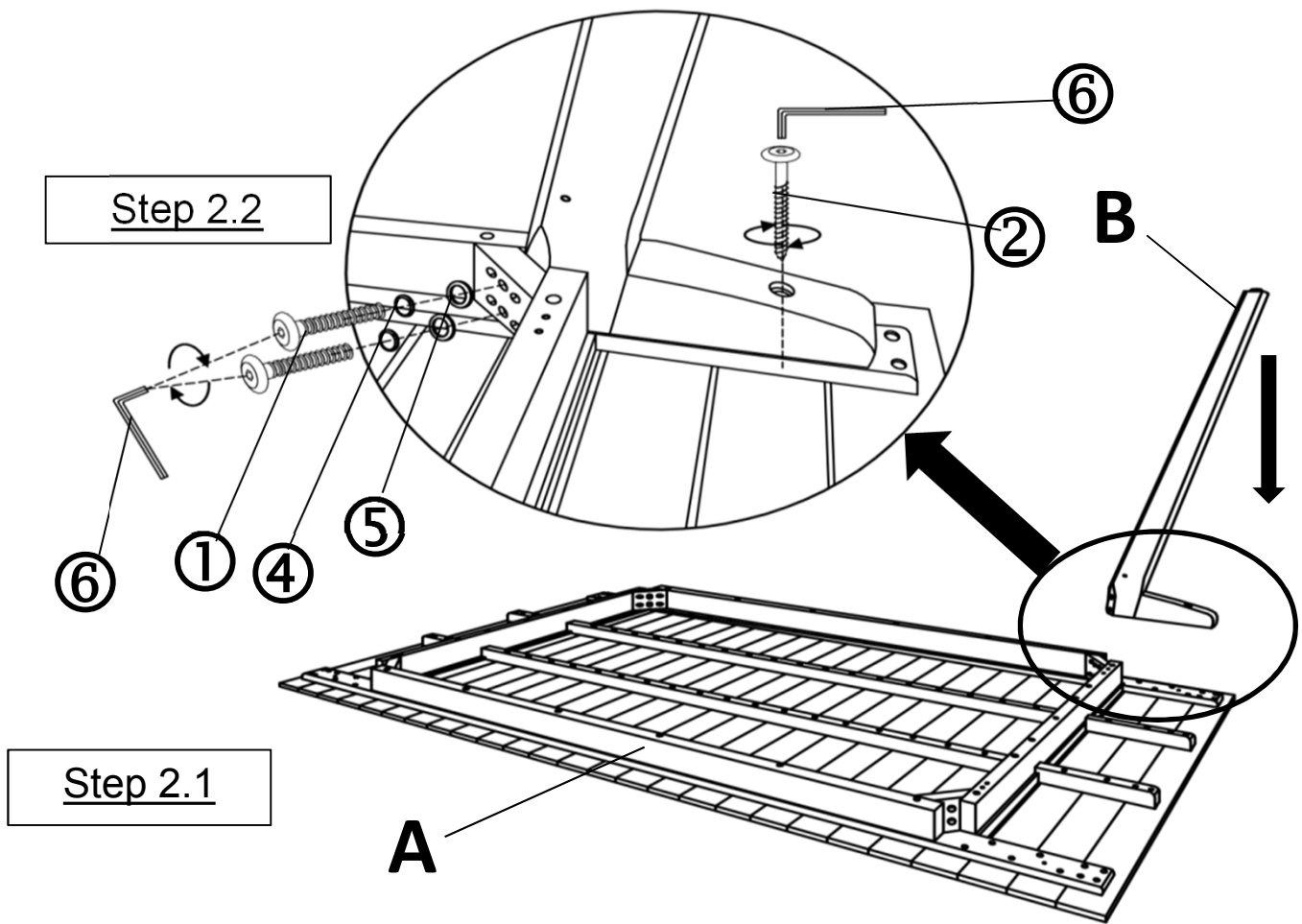
This Table has multiple parts and may require up to 30 minutes to assemble. To give you an overview of the Table parts, the above picture is to help you put the various parts into perspective. Please read through the instructions below to familiarise yourself with the parts and steps before assembly.

Step 1



Unpack and place all parts on a clean, non-marring surface.

Step 2



2.1) With assistance from your adult partners, turn the Table Top (A) up side down as picture shown
2.2) Attach First Leg (B) to Table Top (A) as shown in picture above.

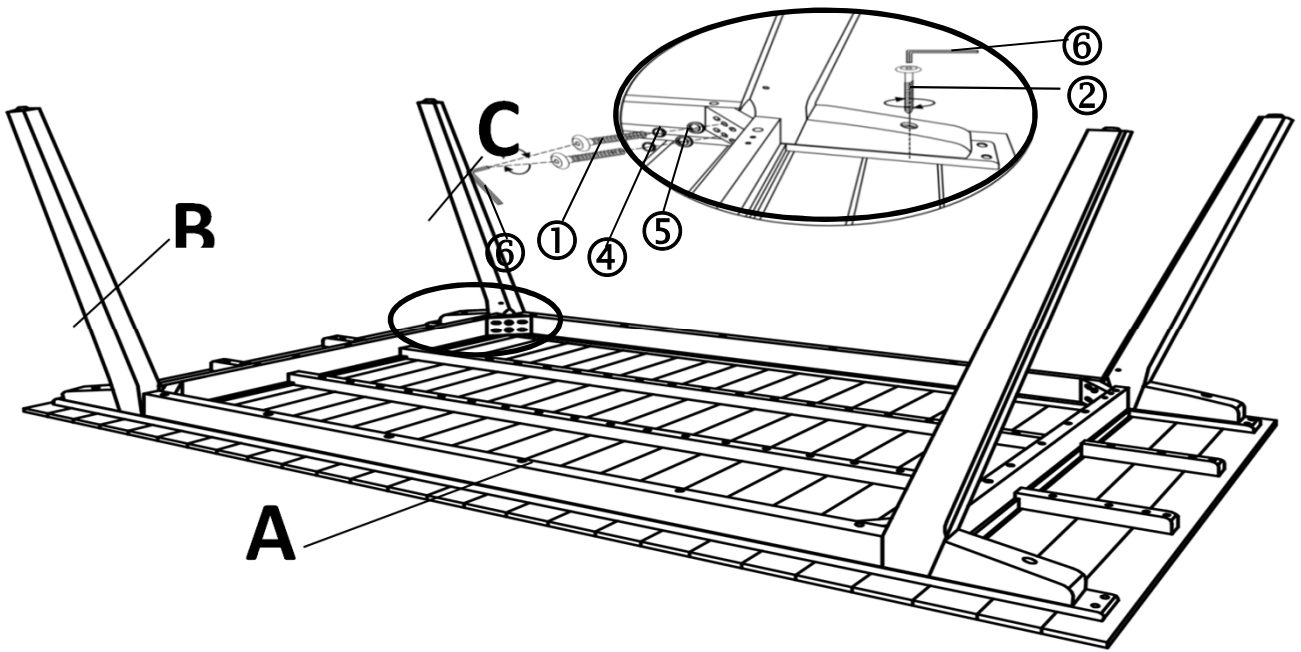
Affix the leg (B) with the block by using Bolts (1), Spring Washer (4), Flat Washer (5) and Allen Key (6) as shown in picture above.

Affix the leg (B) with the table top (A) by using Long Screw (2) and Allen Key (6) as shown in picture above.

Repeat the same process to attach the other 1 First Leg (B) into the opposite corner of the Tabe Top.

Do not fully tighten the Bolts/Screws.

Step 3



Attach Second Leg (C) to Table Top (A) as shown in picture above.

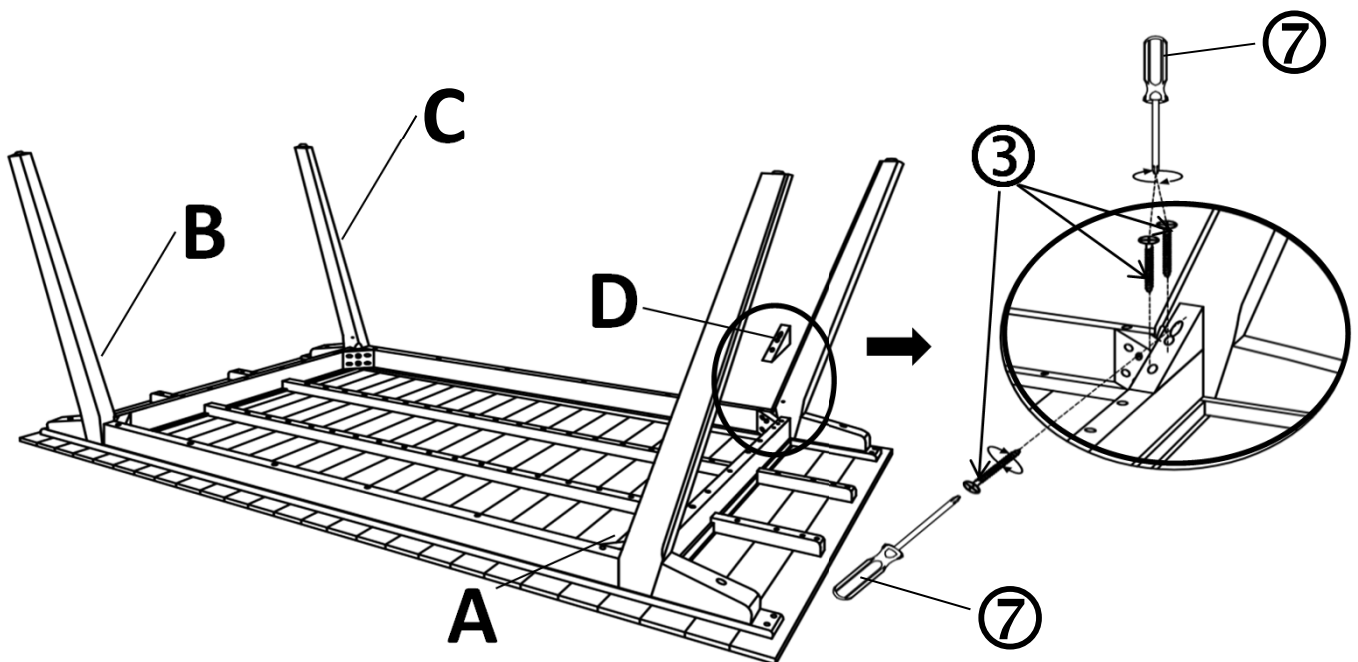
Affix the leg (C) with the block by using Bolts (①), Spring Washer (④), Flat Washer (⑤) and Allen Key (⑥) as shown in picture above.

Affix the leg (C) with the table top (A) by using Long Screw (②) and Allen Key (⑥) as shown in picture above.

Repeat the same process to attach the remaining Legs (C) into the Table Top (A).

Do not fully tighten the Bolts/Screws.

Step 4

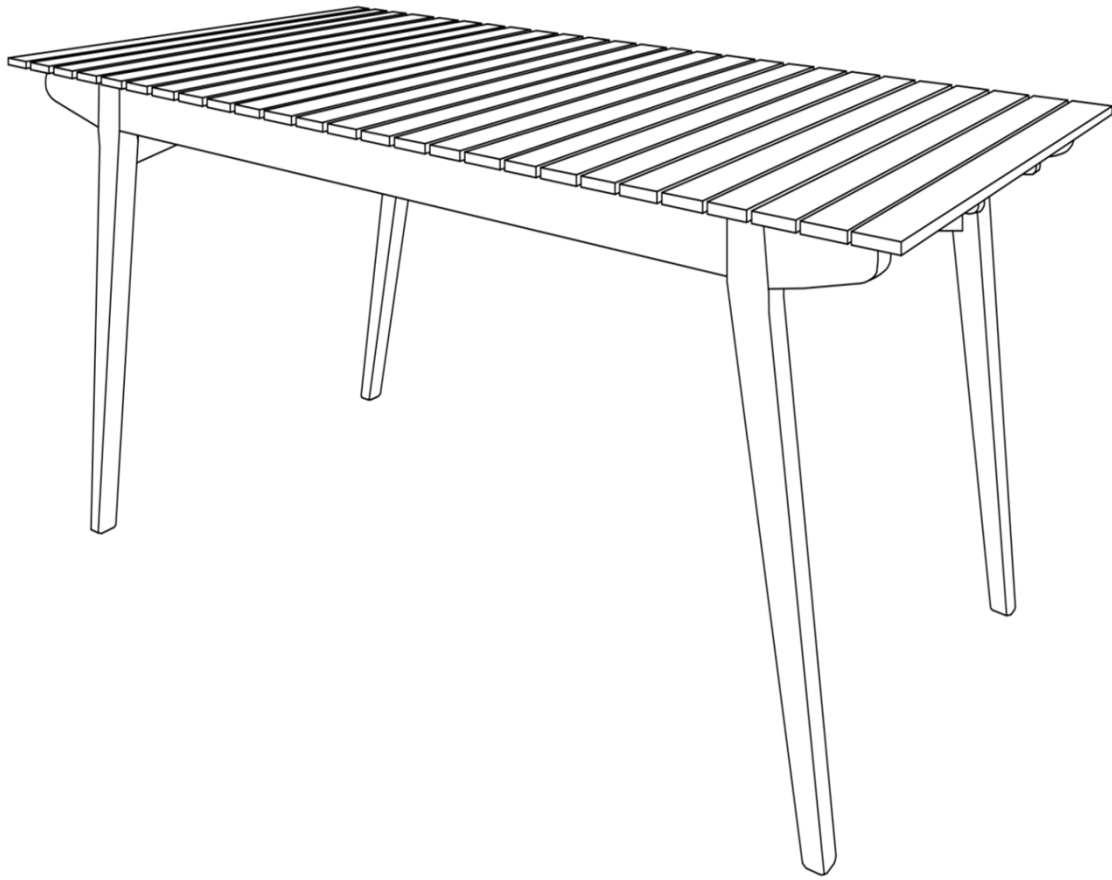


Attach the Wooden pad (D) to the table by using Short Screws (③) and Screw driver (⑦) as shown in picture below.

Repeat the same process to attach 3 remaining Wooden pads (D) to the table.

Do not fully tighten the Screws.

Step 5



With assistance from your adult partners, turn the Table back to normal flat ground
EXERT pressure, floorwards, onto the Table.

This pressure will help the Legs and Table Top reach alignment at all joints.
Check for wobbles.










In a sequential manner, gradually tighten all Bolts until evenly secured.

Inspect the Table and make sure all parts are adequately connected.

Your Table is ready for use.

This Table can only be used on a flat, level surface.

Care & Maintenance

- ⊘  ● Do not put hot items directly on furniture surface
 - ⊘  ● Do not clean furniture with harsh cleansers or polish.
 - ✓  ● To obtain the longest lifespan of your outdoor products, minimizing exposure to direct sunlight is recommended.
 - ⊘  ● Children should not climb or jump on the furniture.
 - ⊘  ● Do not write on furniture without a padded barrier to protect the surface.
 - ✓  ● To obtain the longest lifespan of your outdoor products, avoid extended and lengthy exposure to rain, snow, and direct sunshine. Whenever possible cover the product and /or place under patio or awnings.
 - ⊘  ● Not for commercial use. For residential use only .
 - ⊘  ● Stains may be removed with mild soap solution and damp cloth.
-
- ✓  ● Dust and pick-up spills using a clean, non-colored, lint-free cloth .