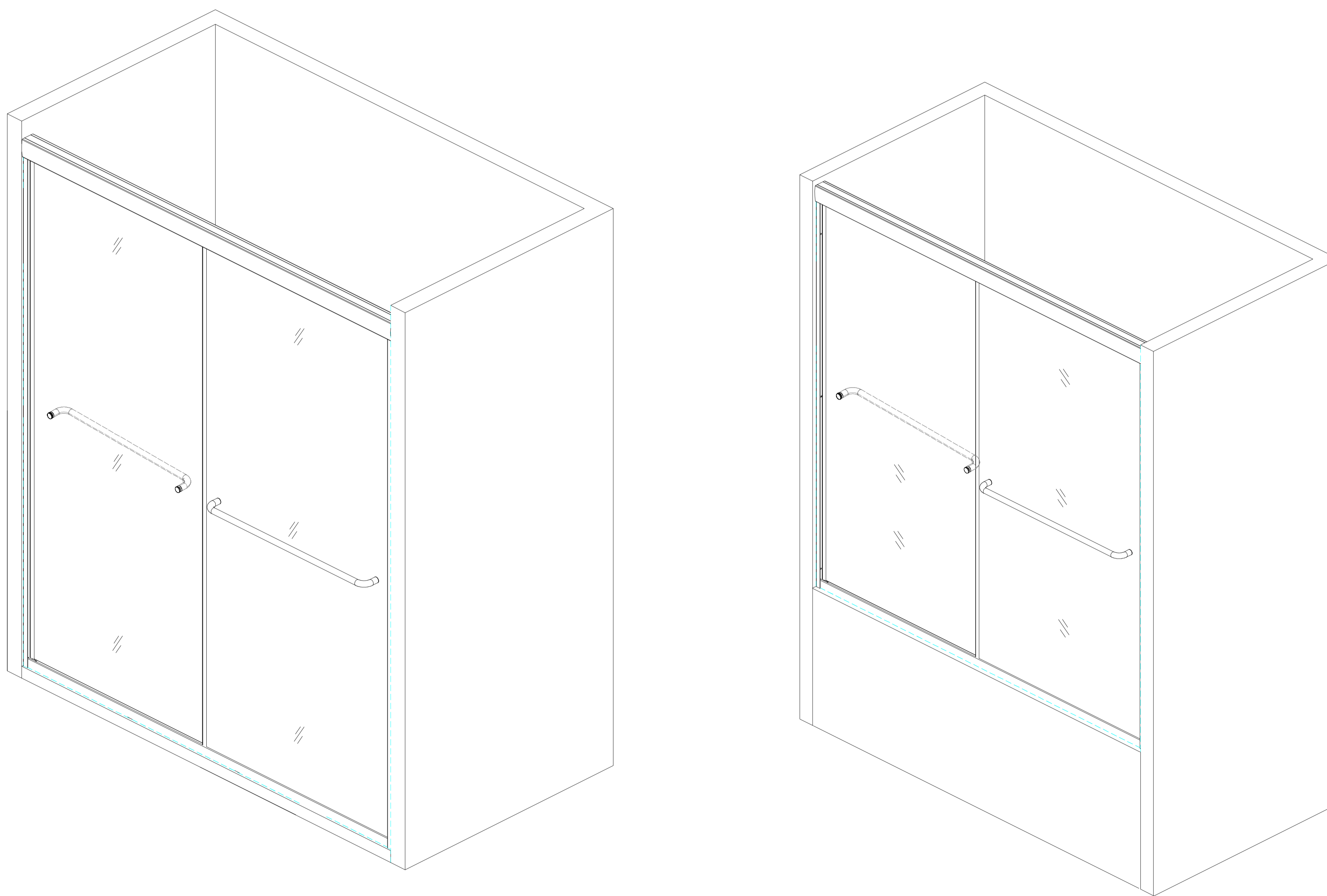


Shower Door
1/4" glass (6mm)

Y556072/H556072 INSTALLATION GUIDE

CAUTION: To reduce the risk of breakage, keep corner protectors on glass while installing. Keep corner protectors for use in case future adjustments are needed. Consult your local plumbing codes prior to installation



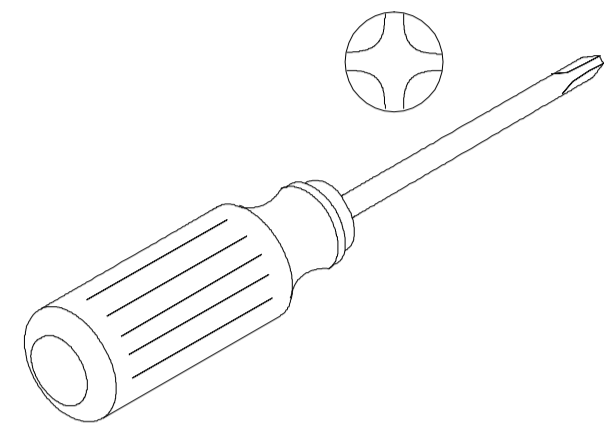
Caution:
Report glass breakage upon delivery!
Free replacement guaranteed.

TOOLS REQUIRED

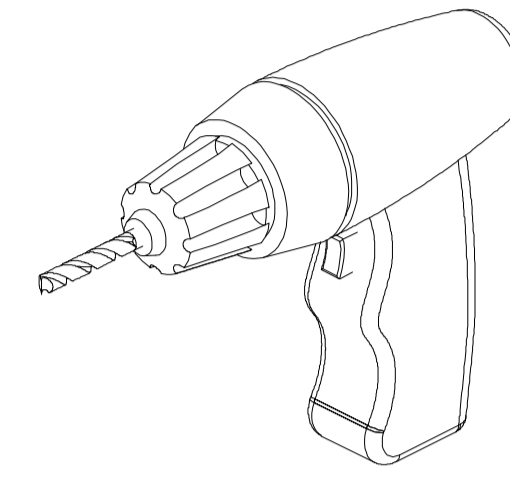
Drill Bits



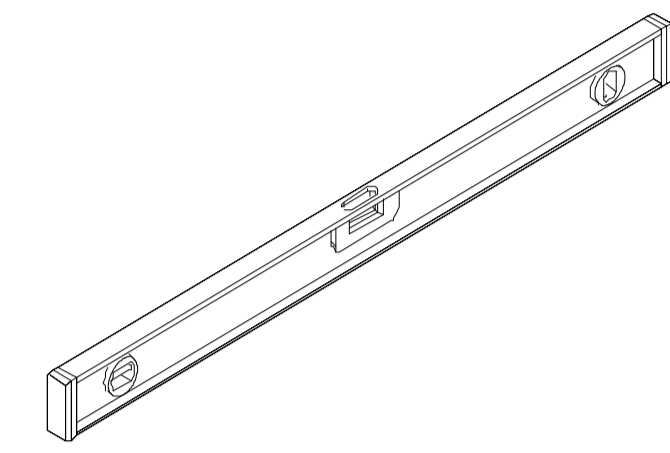
Screw Driver



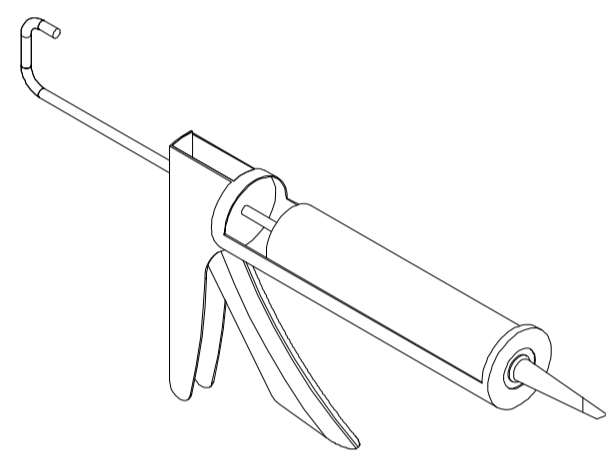
Drill



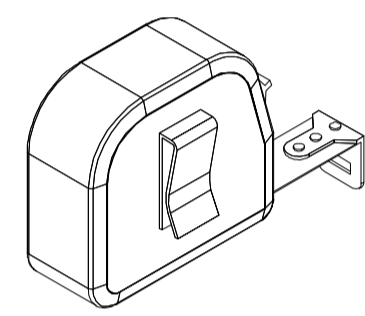
Level



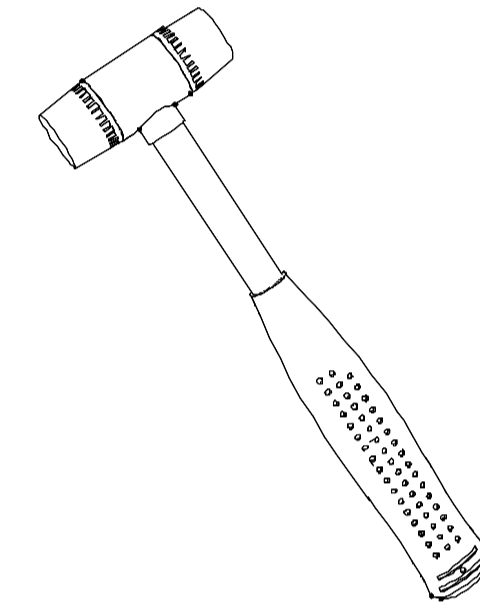
Silicone



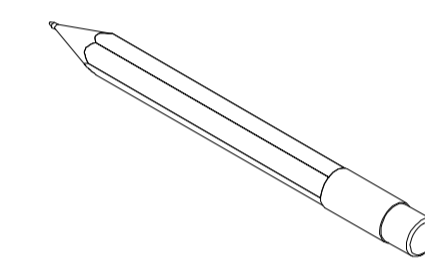
Measuring Tape



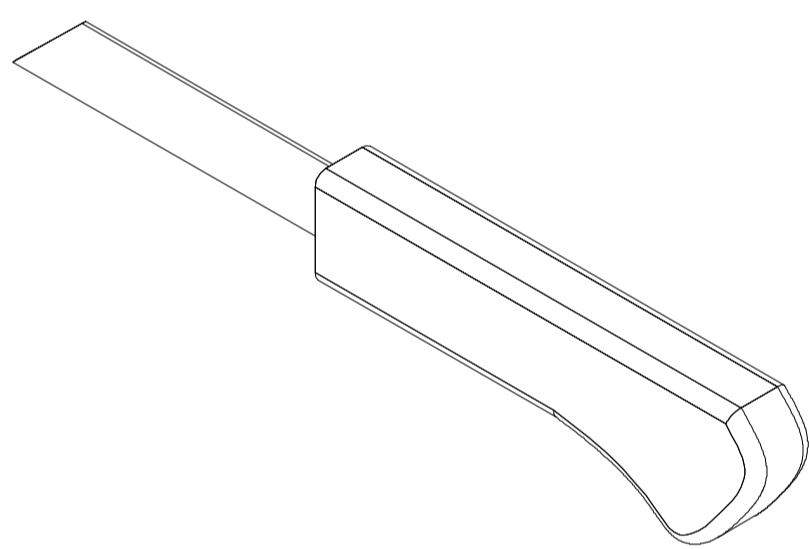
Soft Head Hammer



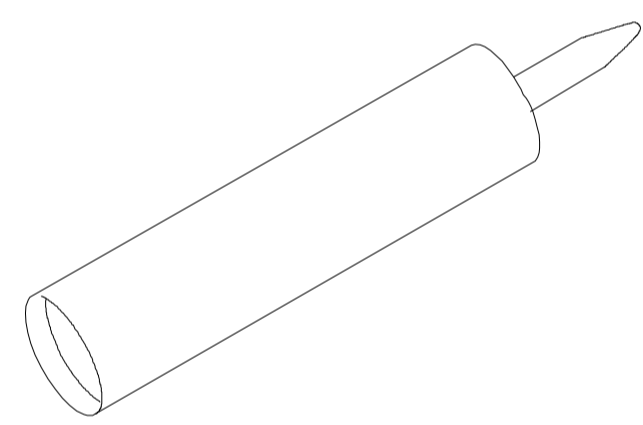
Pencil



Knife



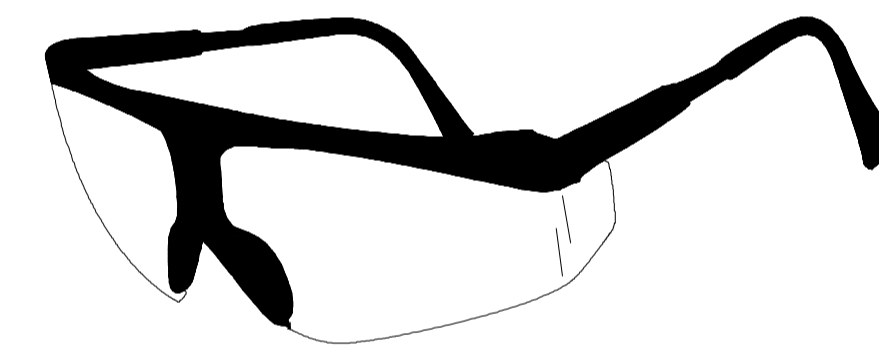
Sealant



MASONRY DRILL BIT FOR TILE Ø6mm



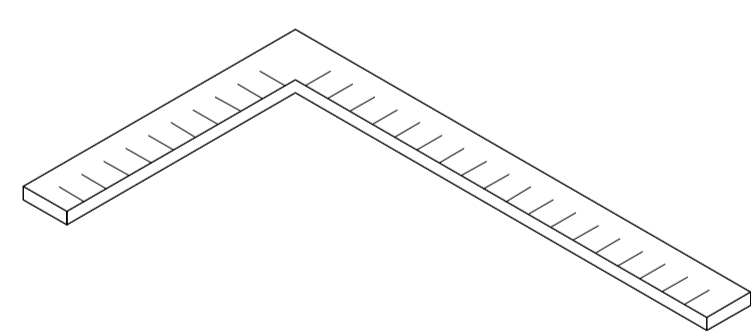
Safety Glasses



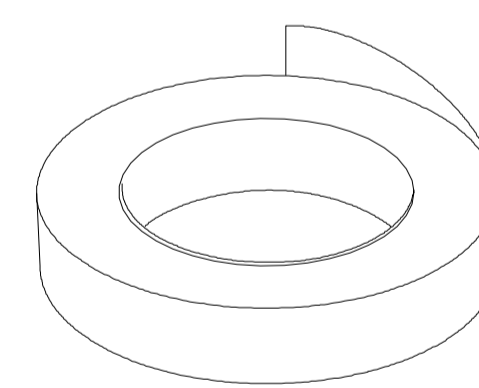
Glove



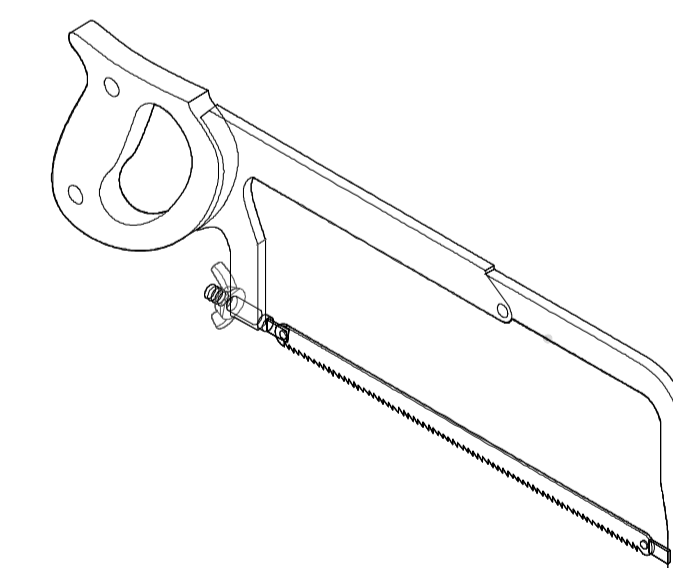
Carpenter's Squarer



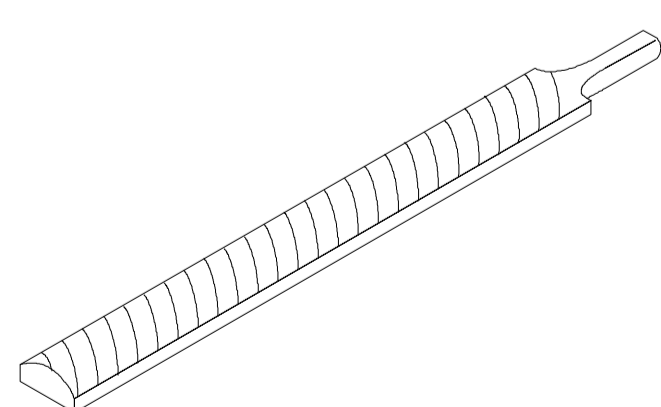
Masking or painter's tape



Hack Saw



Metal File



CAUTION: When cutting or drilling metal components or when handling glass, to reduce the risk of personal injury, protective eye wear, gloves, and closed-toe shoes are required.

SAFETY INFORMATION

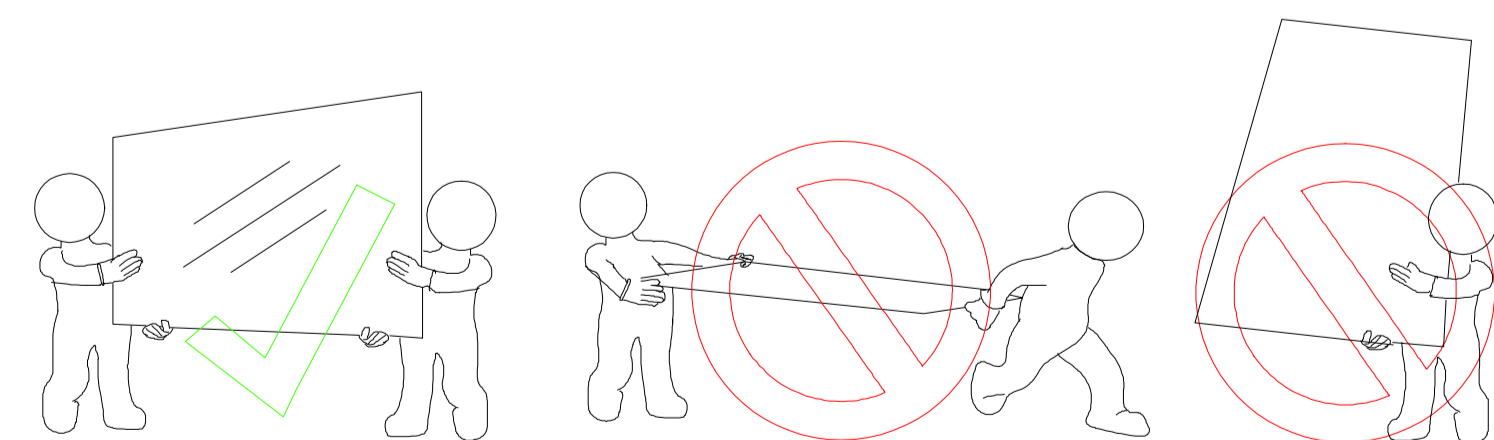
CAUTION

Please carefully read the following important safety information before handling or installing this shower **door** . There is a risk of serious injury while handling this product.

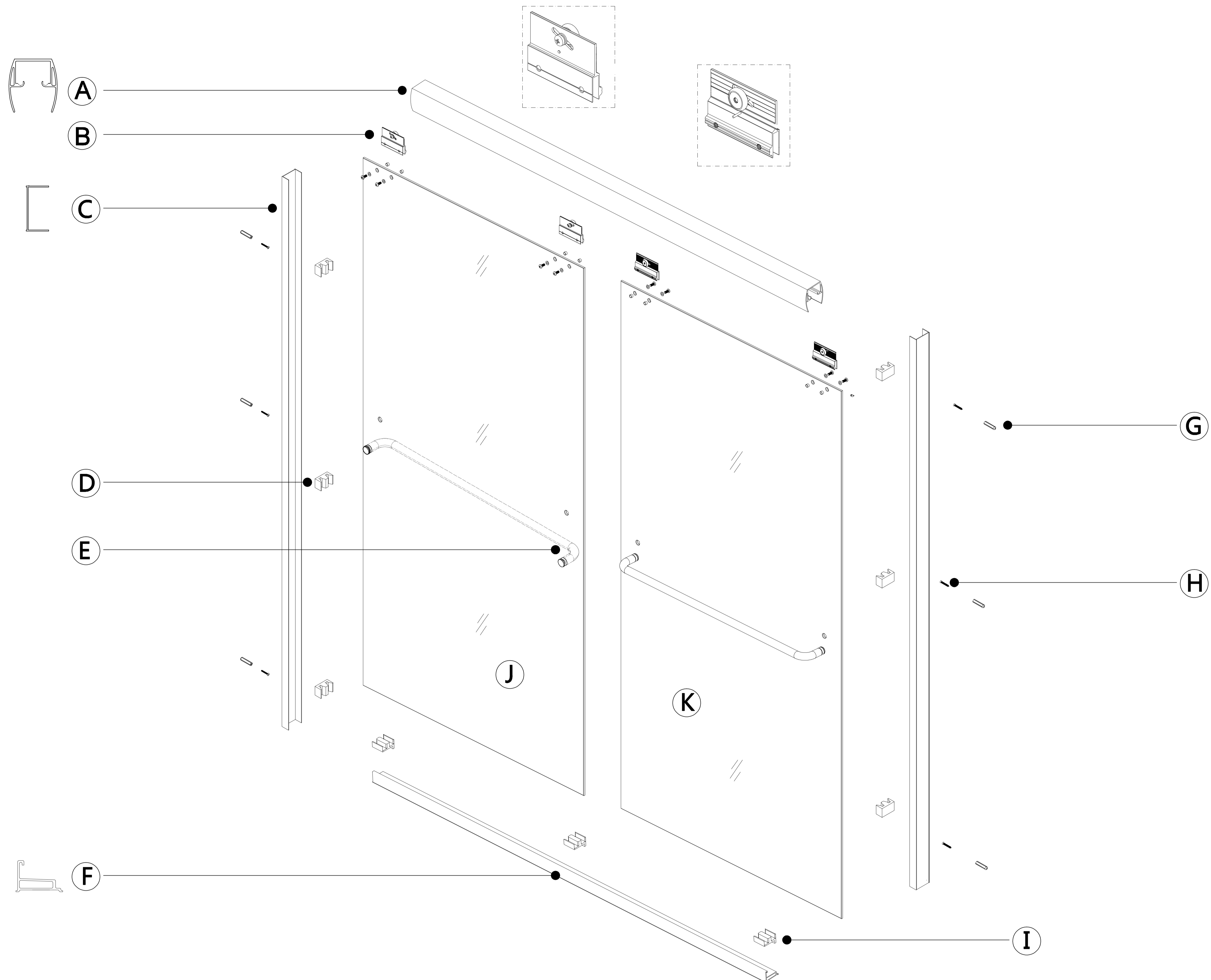
To minimize these risks, please note:

- Always wear safety glasses and gloves while handling.
- Always follow the installation instructions.
- Inspect glass for damage before installation.
- Extreme caution should be taken while handling the glass during installation as the tempered glass may shatter if in contact with a hard surface.
- Do not cut or modify the tempered glass as it will shatter if cut.
- Carefully remove product from packaging and keep packaging until installation is complete.
- Inspect all parts for damage or missing; if there is damage or part missing to the unit prior to installation, please contact customer service at the number provided in this guide.
- Cover the drain with tape to prevent the loss of small parts.
- The shower base and finished walls should be installed before beginning the shower door installation.
- During the installation, protect the shower floor with a drop cloth to avoid damage.
- This product should be installed by two people who are familiar with construction requirements. Professional installation is recommended!
- Keep this installation manual for future reference.

NOTE: Two people should perform this installation.



DOOR ASSEMBLY



CARTON PARTS IDENTIFICATION

See following pages for detailed component diagrams

PART#	DESCRIPTION	QTY
A	Top Rail	1
B	Roller set	4
C	Wall Jamb	2
D	Bumper	6
E	Handle	2
F	Bottom Rail	1

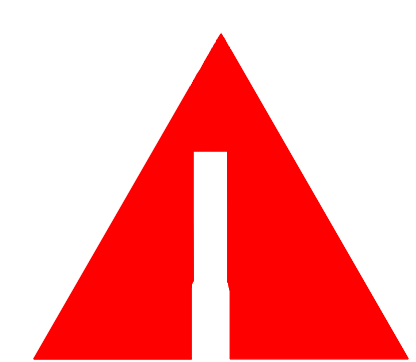
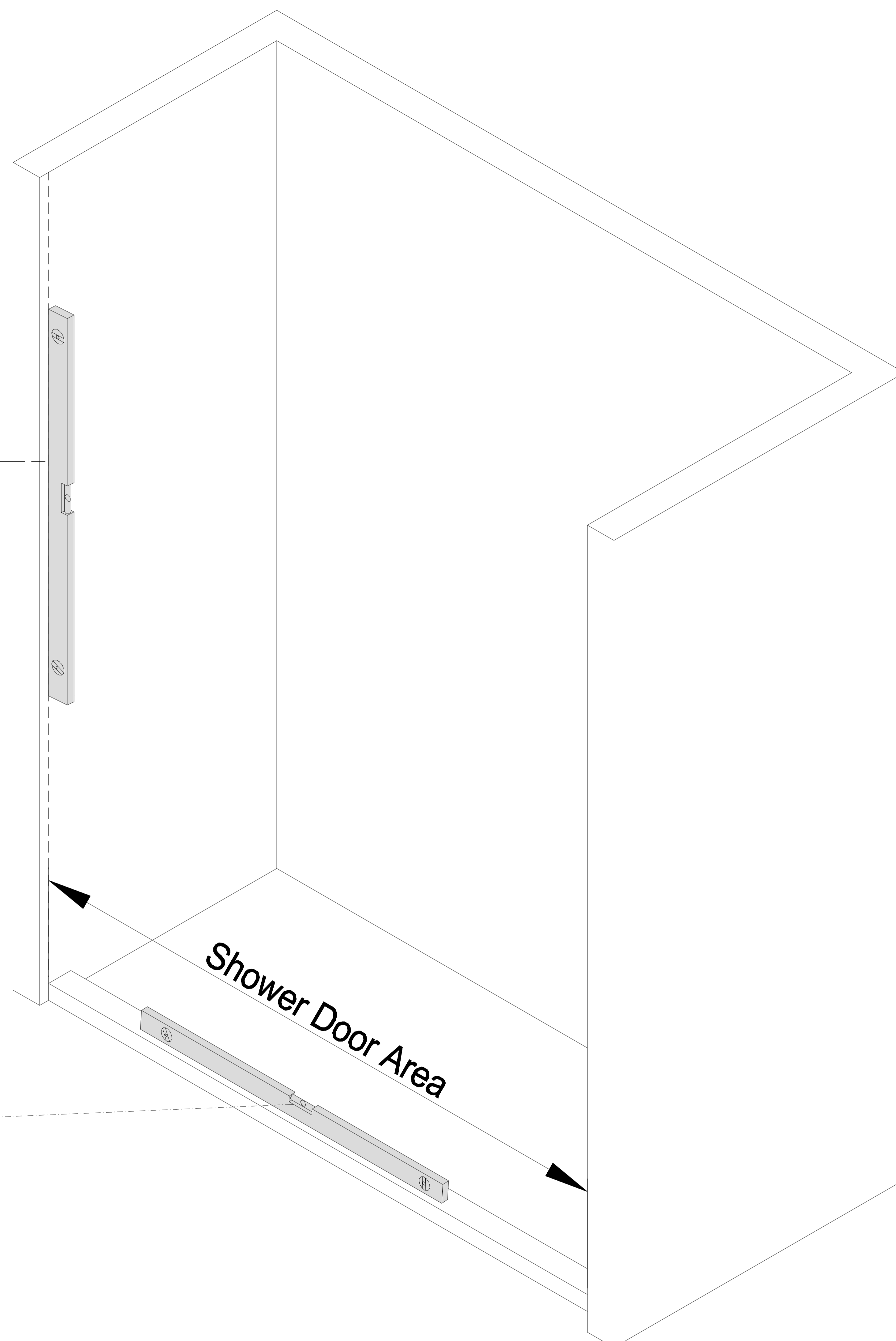
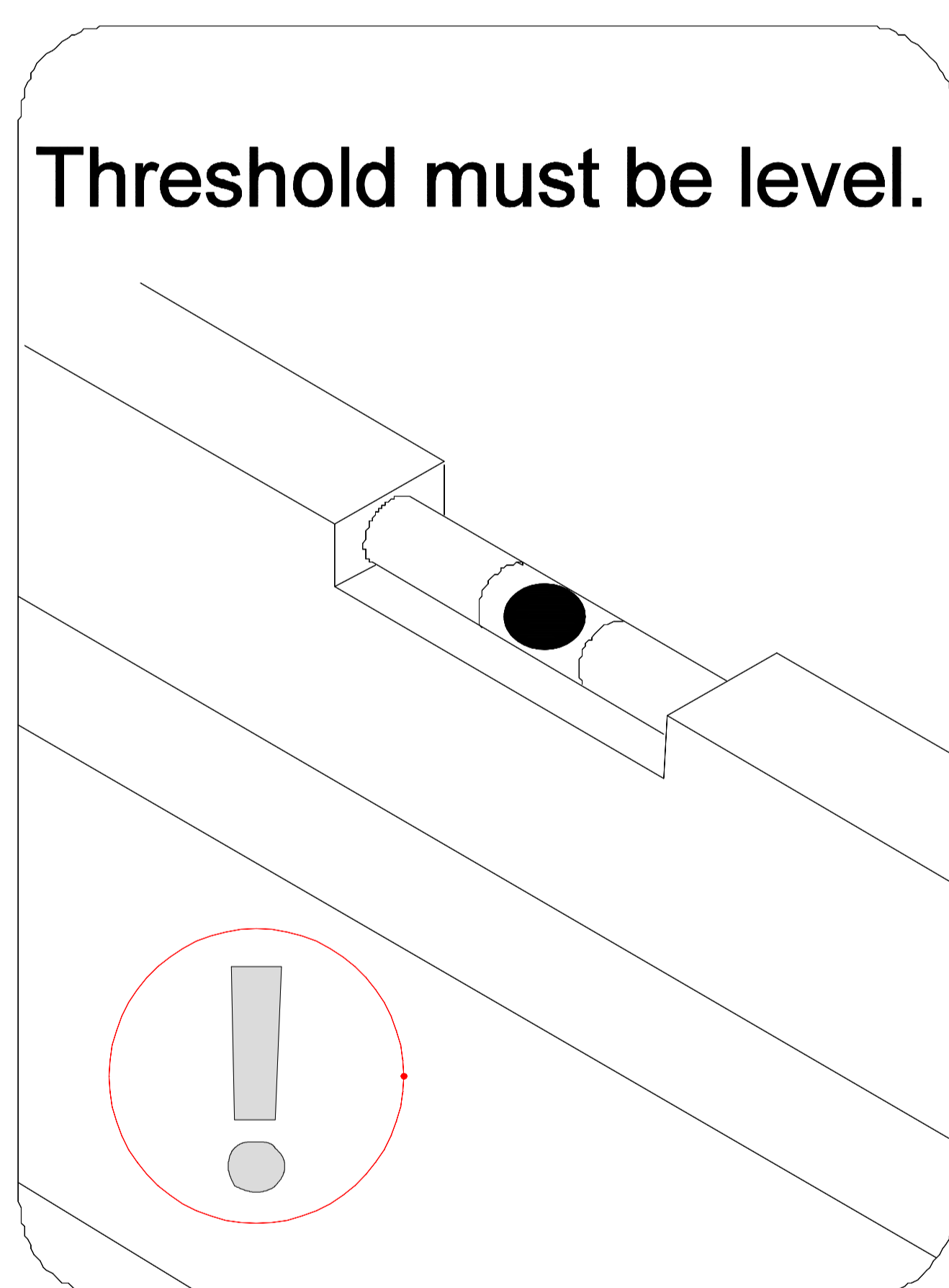
PART#	DESCRIPTION	QTY
G	Wall anchor $\varnothing 6$	7
H	Metric Screw ST4.0X35	7
I	Bottom guide	3
J	DOOR PANEL	1
K	DOOR PANEL	1

Model Specific Preparation



REQUIRED:

Verify threshold and wall with a level.

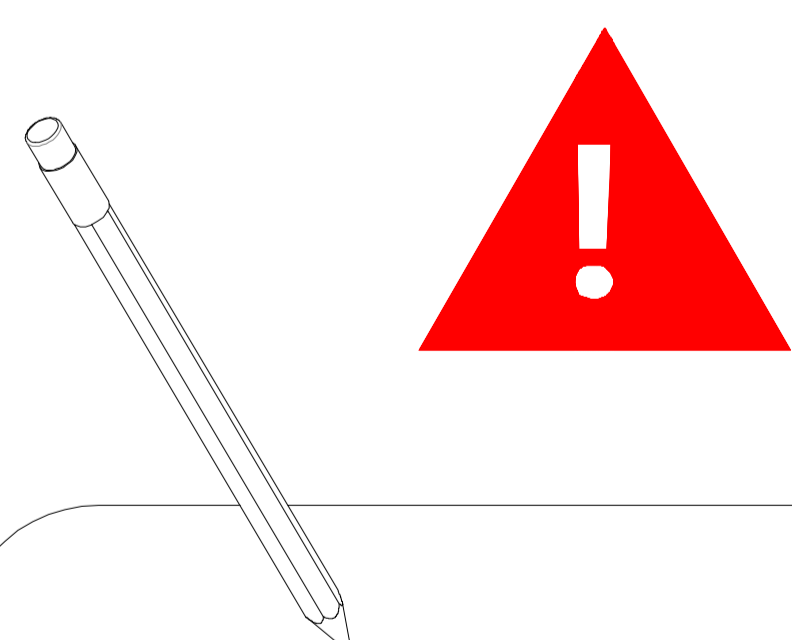
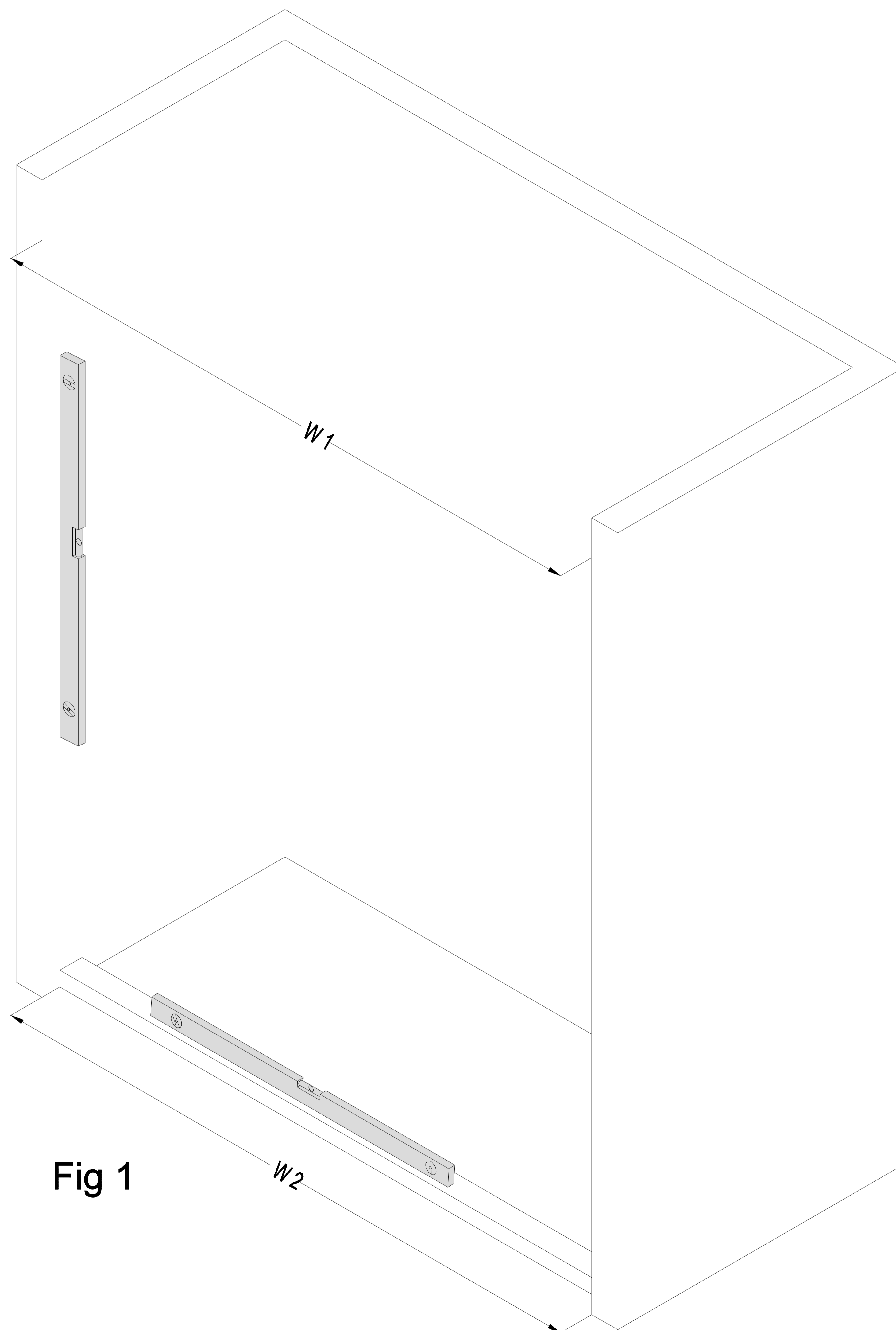


Please choose the product that fits your size

1. Measure the finished opening width.

NOTE

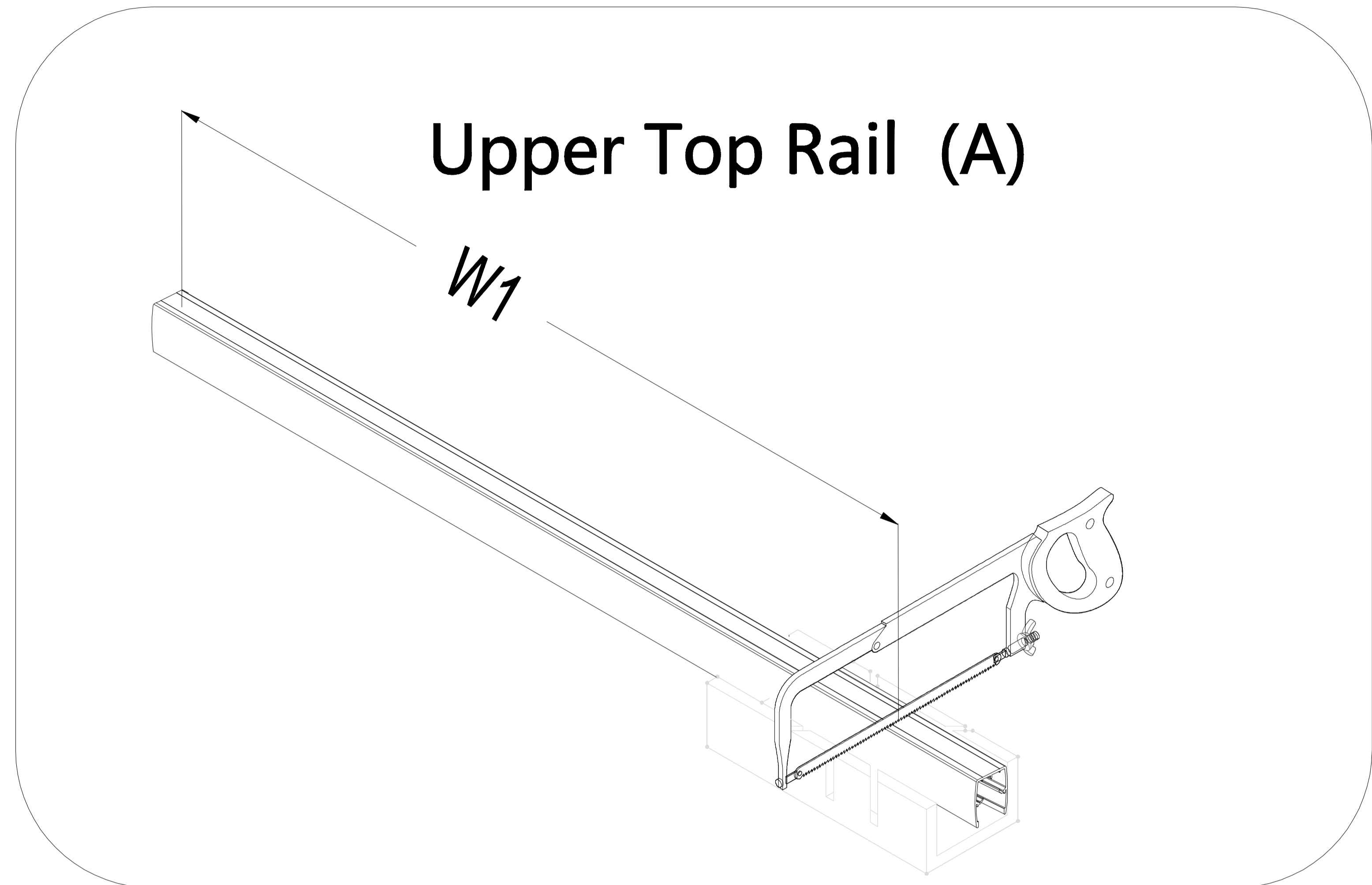
1. Measure the finished opening width at the bottom and at the model height. Use these dimensions as "W1" (top) and "W2" (bottom) in step #2.
2. Also check the threshold for level and the walls for plumb. (Fig 1)



_____ Finished opening top (W1)
_____ Finished opening bottom (W2)

2. Cut the Upper Top Rail (A) and the Bottom Rail (F) to fit your finished opening using either a miter saw or a hacksaw

Cut the Upper Top Rail (M) to: "W1"



Cut the Bottom Rail (B) to: "W2"

Use a metal file to remove any burrs from the cut ends.

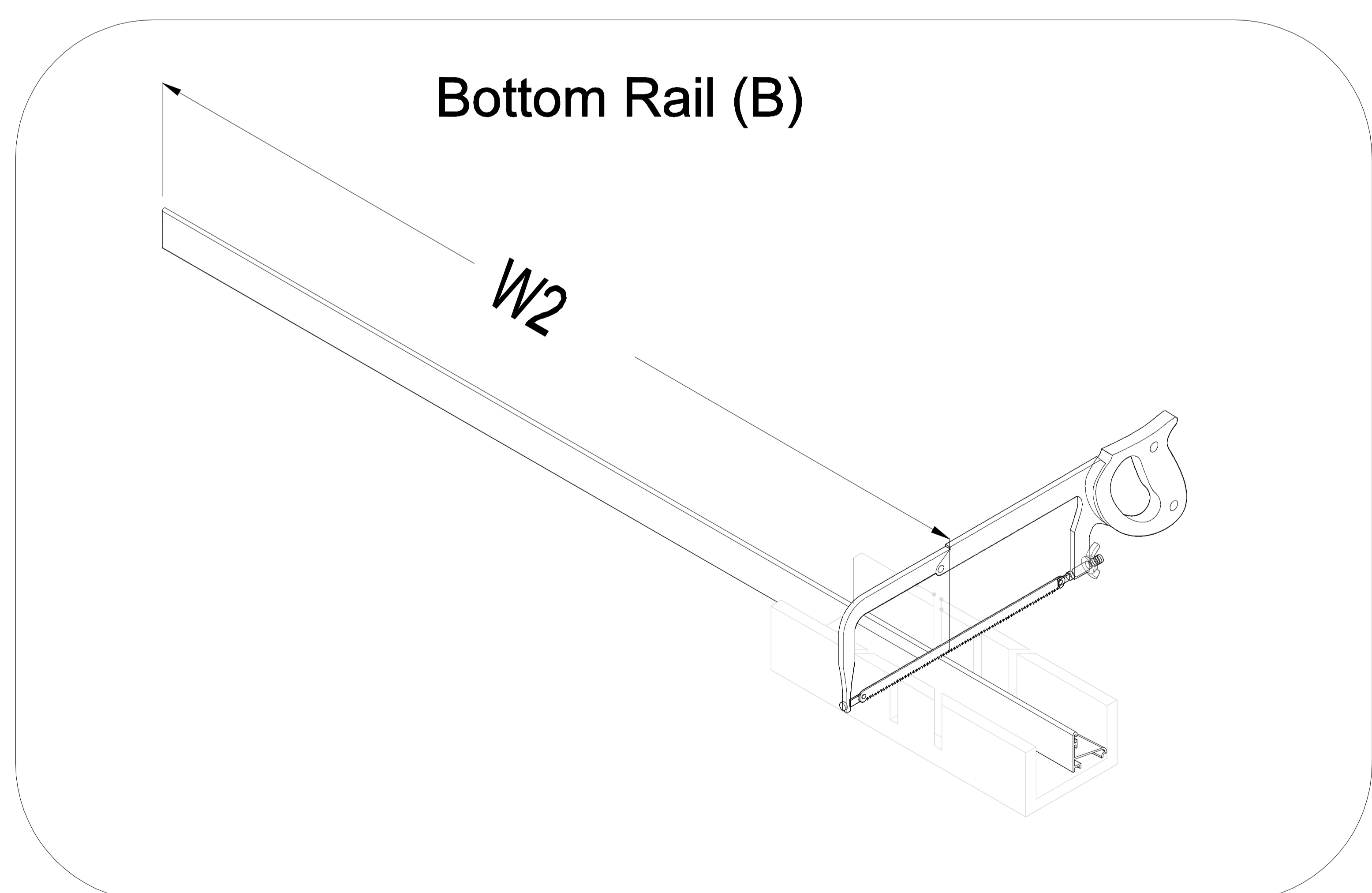
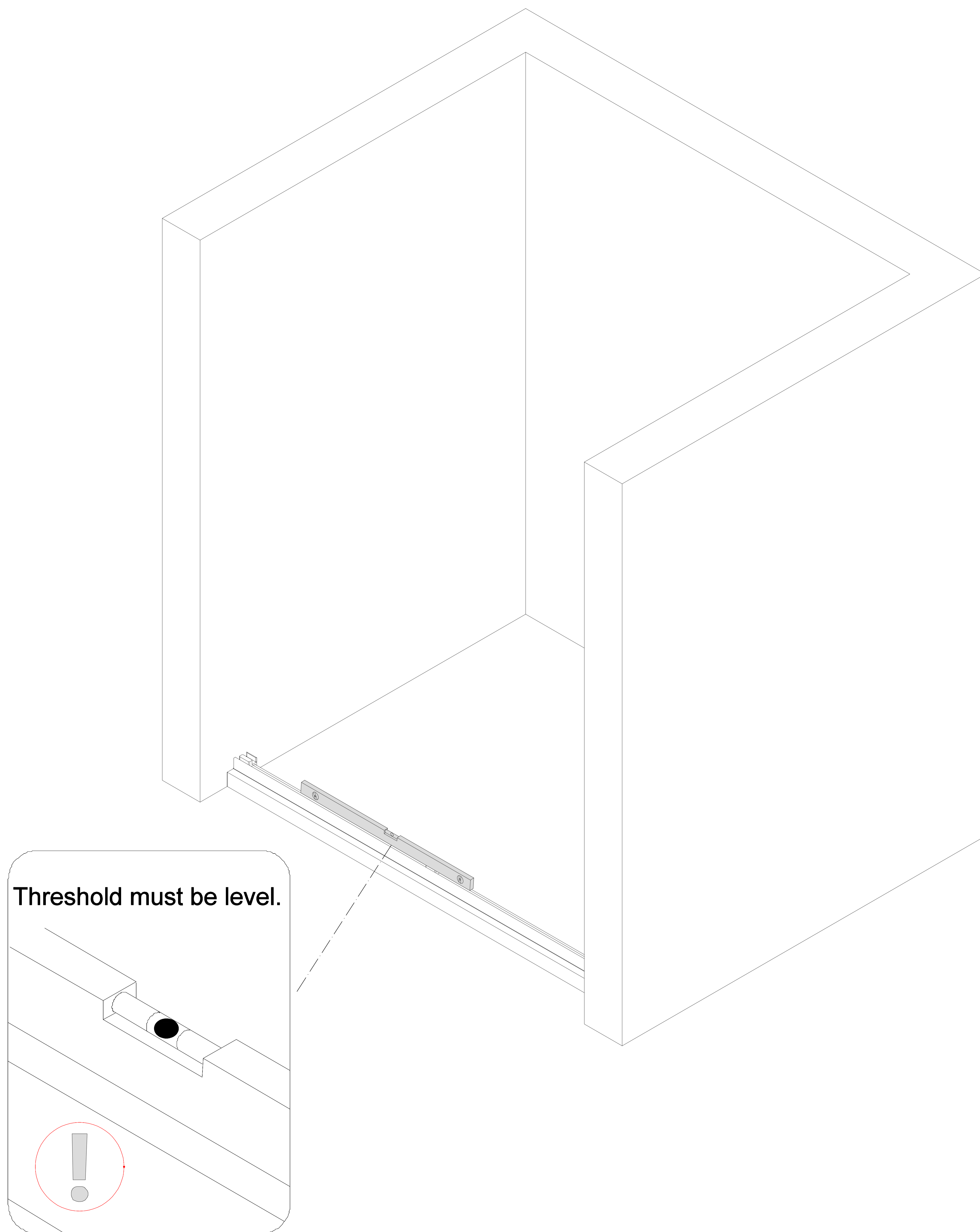


Fig 2

3. Install Bottom Rail (F). Threshold must be level.



4. Install Wall Jamb (C) , Threshold must be level as Fig.a

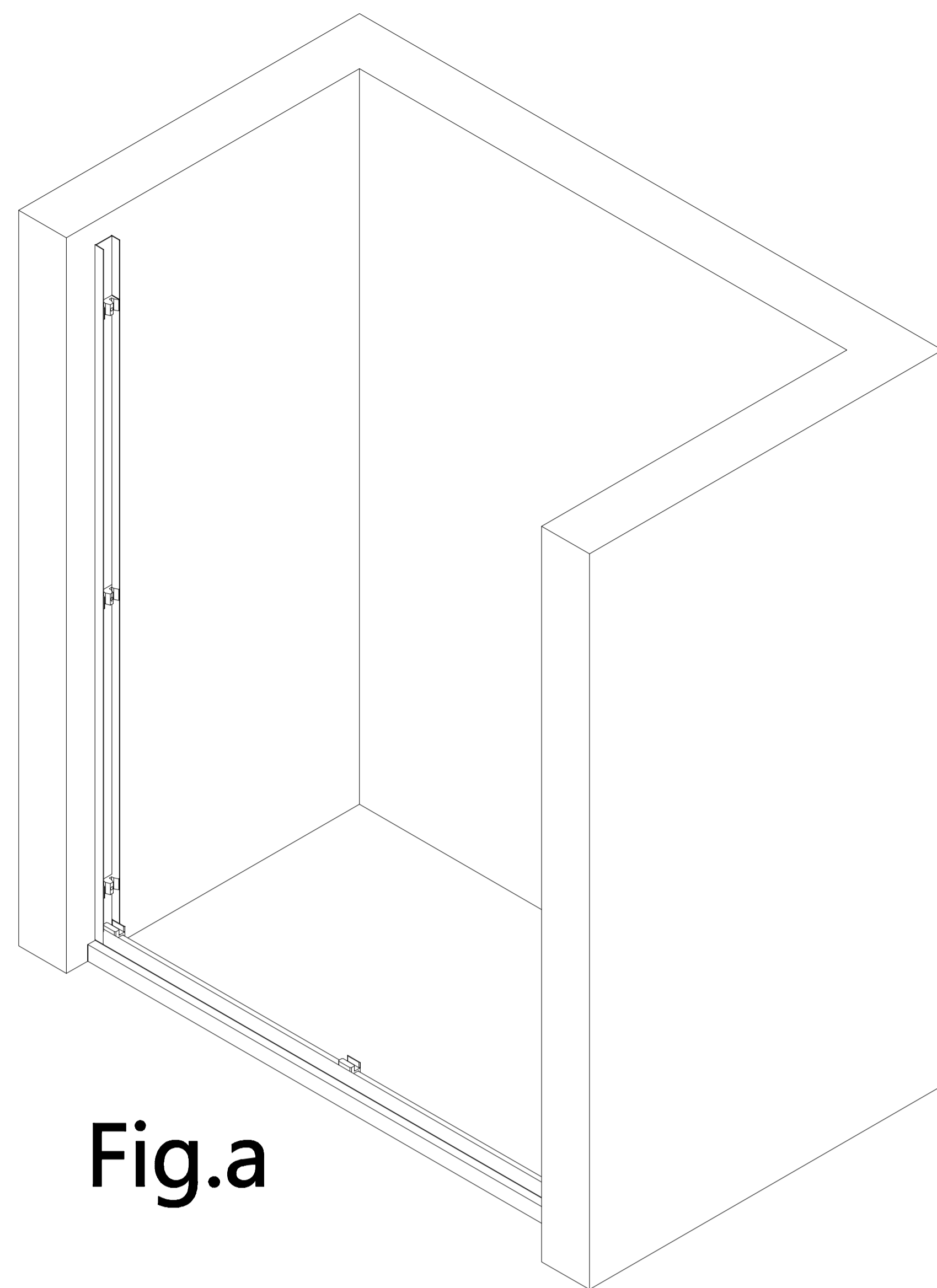


Fig.a

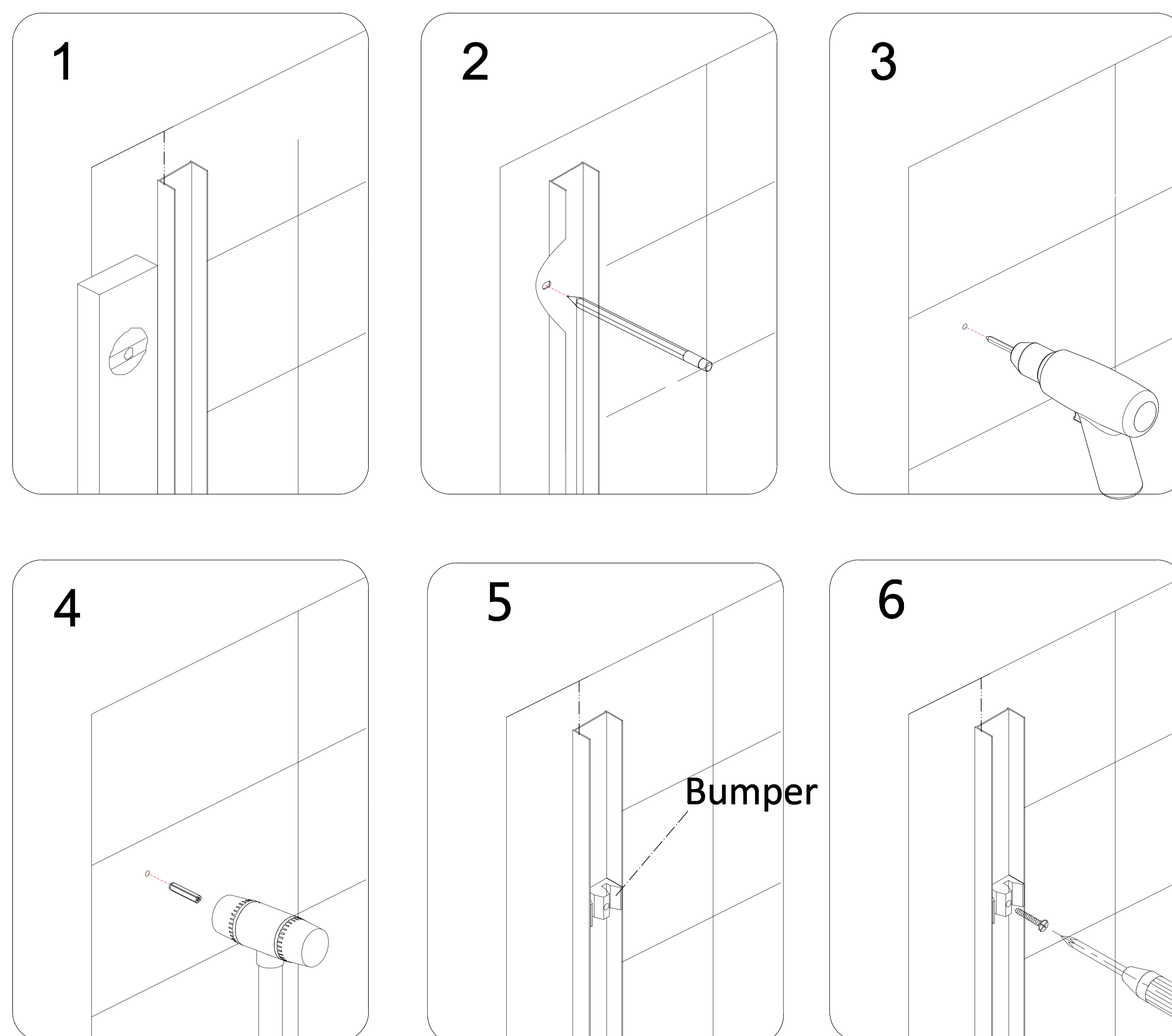
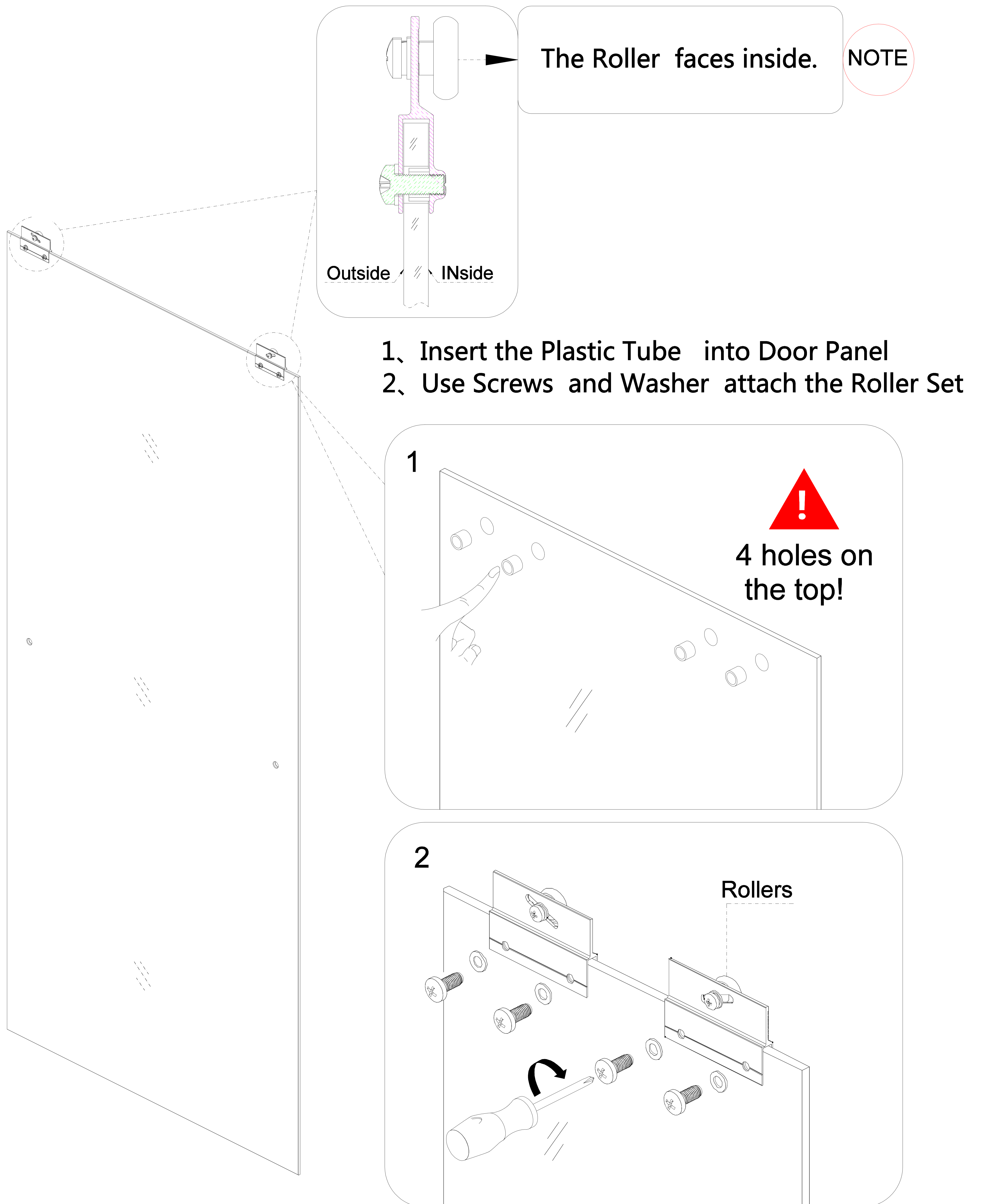


Fig 4

1. Make sure each Wall Jamb (C) is plumb.(Fig 4.1)
2. Mark the holes for drilling on the wall through the predrilled holes in the Wall Jamb (C).(Fig 4.2)
3. Drill the holes.(Fig 4.3,4.4)
4. Clamp the Bumper (D) into the wall Jamb (C) and align it with the wall hole (Fig 4.5)
5. Attach the Wall Jamb (C) to the wall using the Screws ST4.0*35 Fig 4.6)

5. The Roller set (B) Installation on the Door Panel

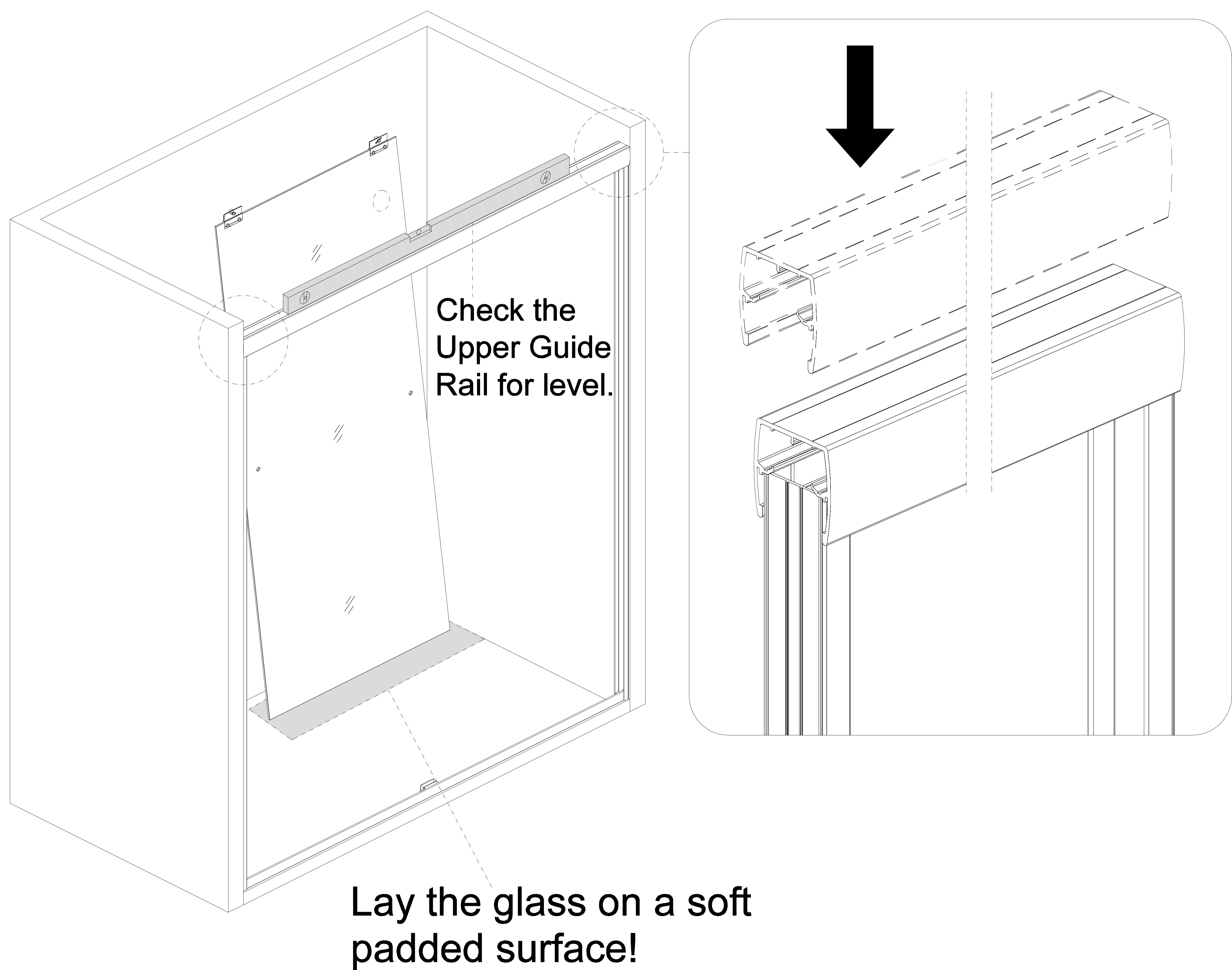


6. Upper Top Rail (A) Installation

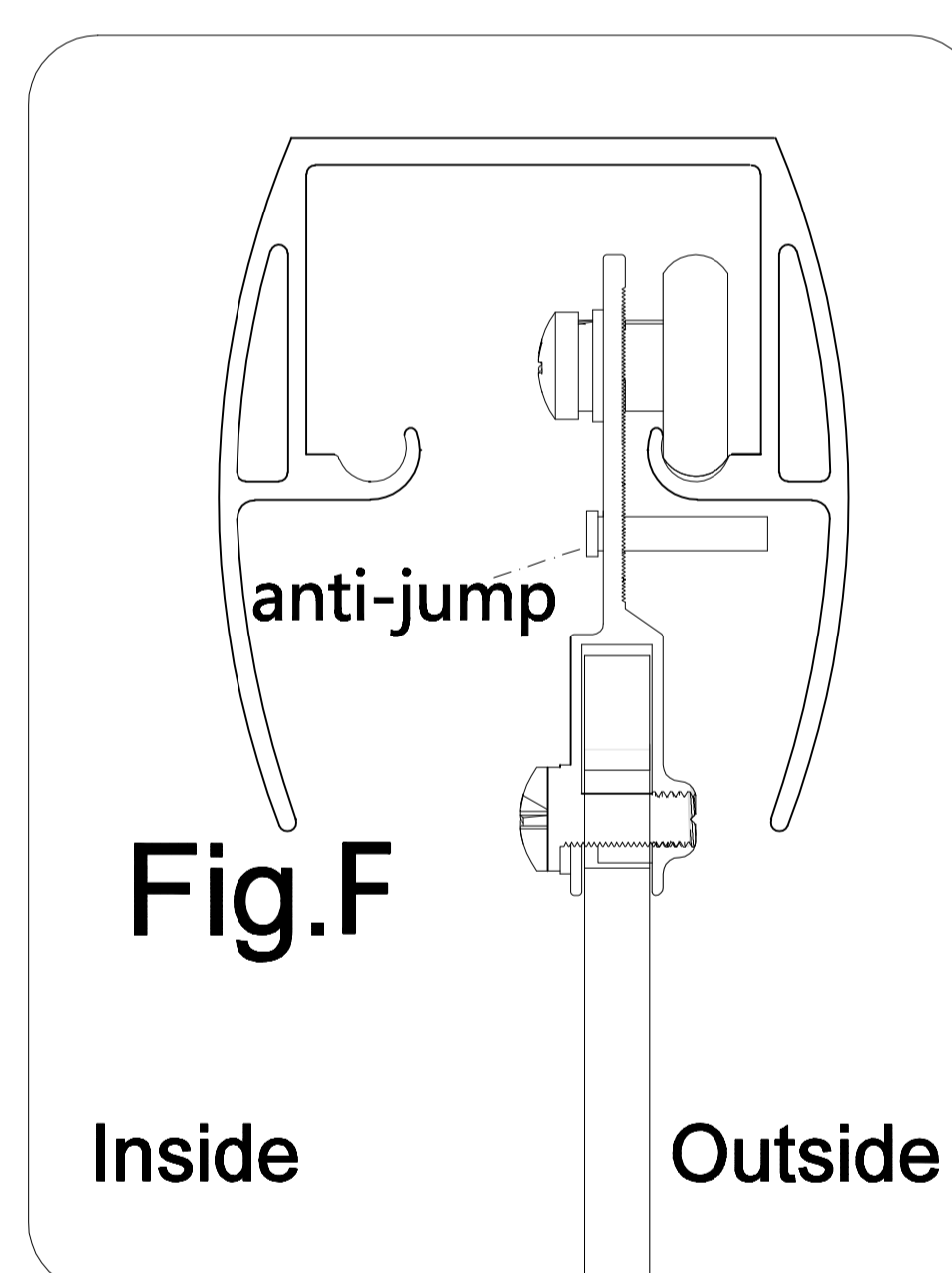
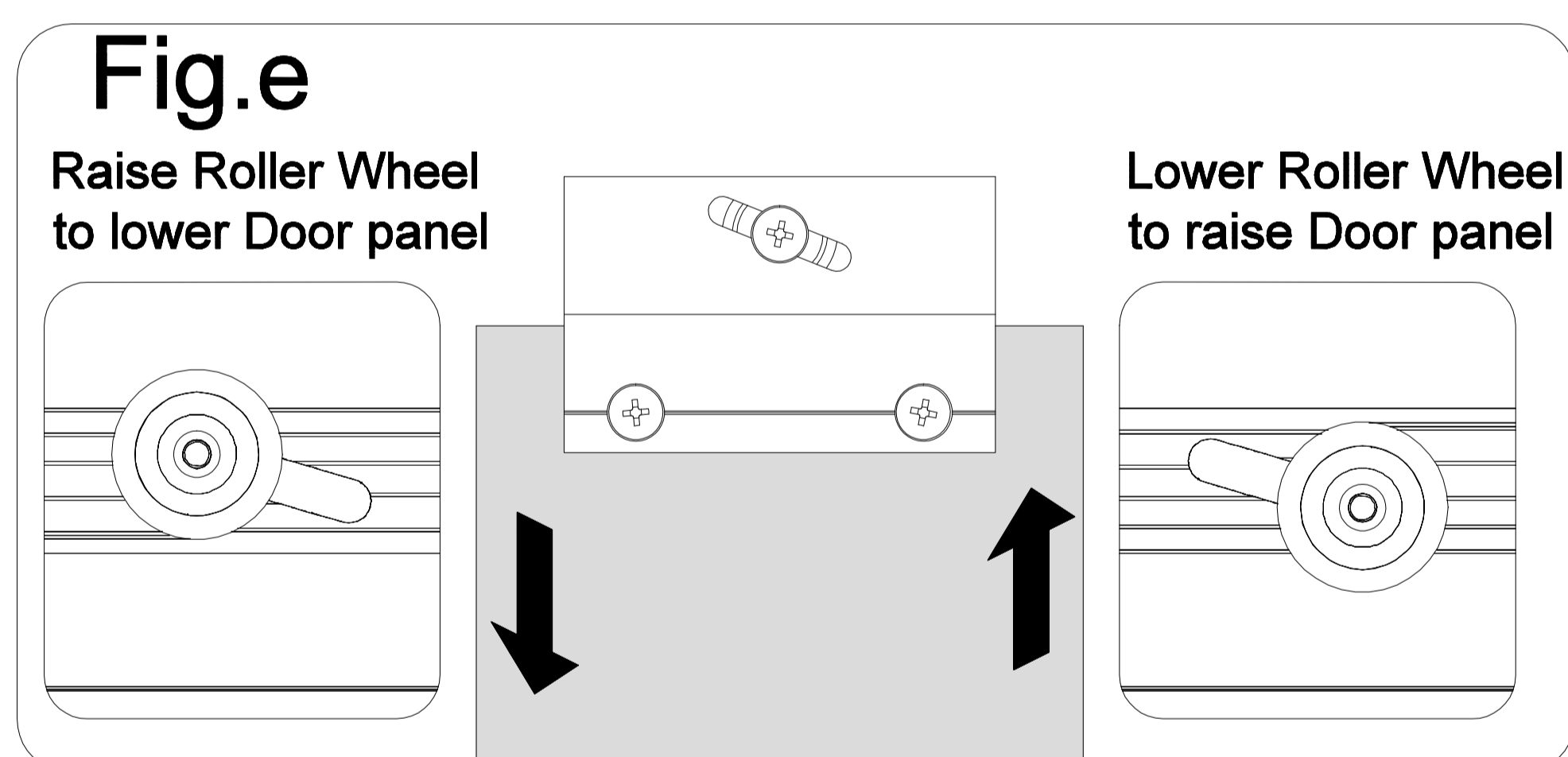
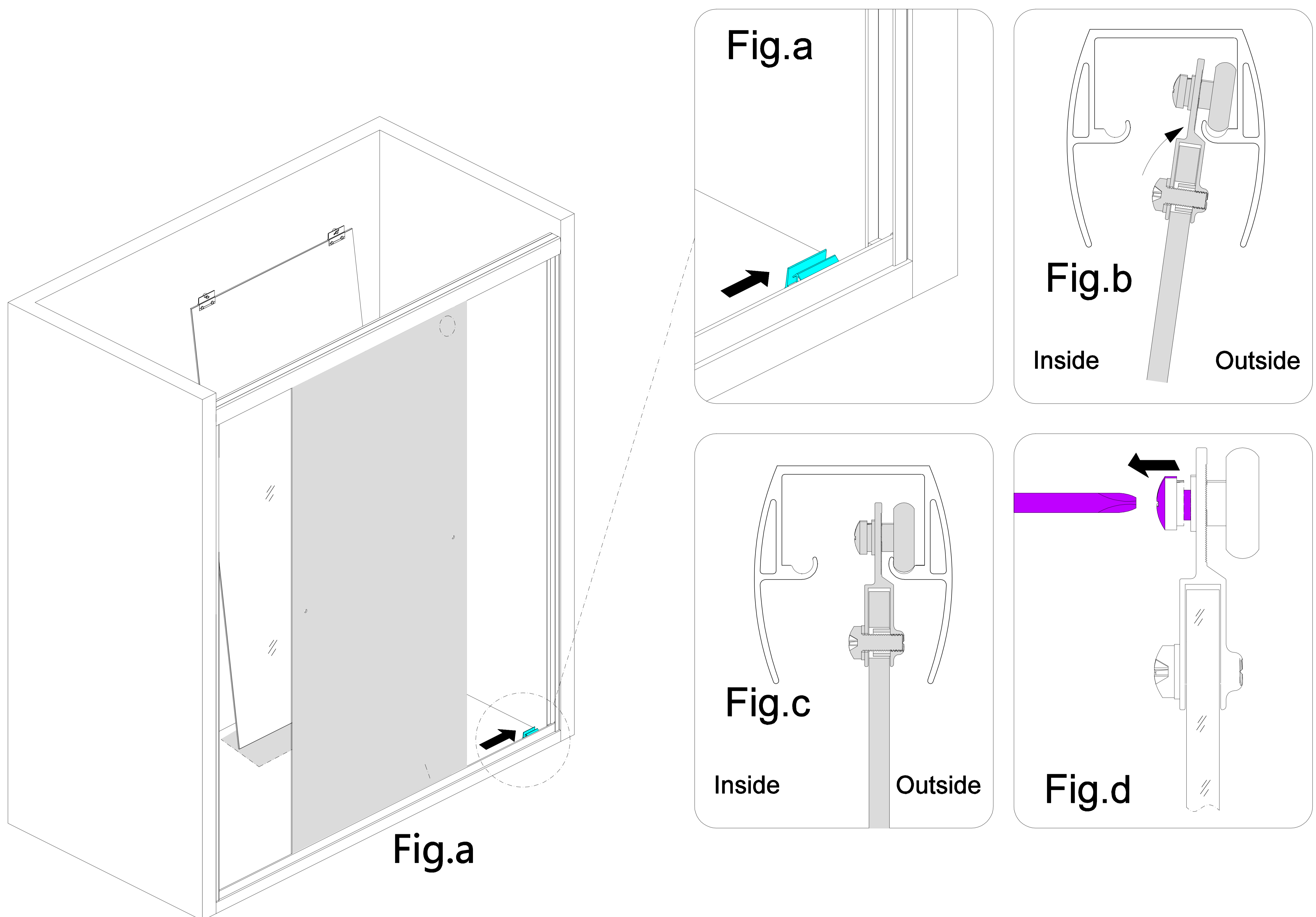
NOTE

Put Inside Glass Panel inside the shower place before install the Upper Top Rail(A)

Insert the Upper Top Rail(A) into the installed Wall Jamb(C).



7. Outside Door panel(J) Installation

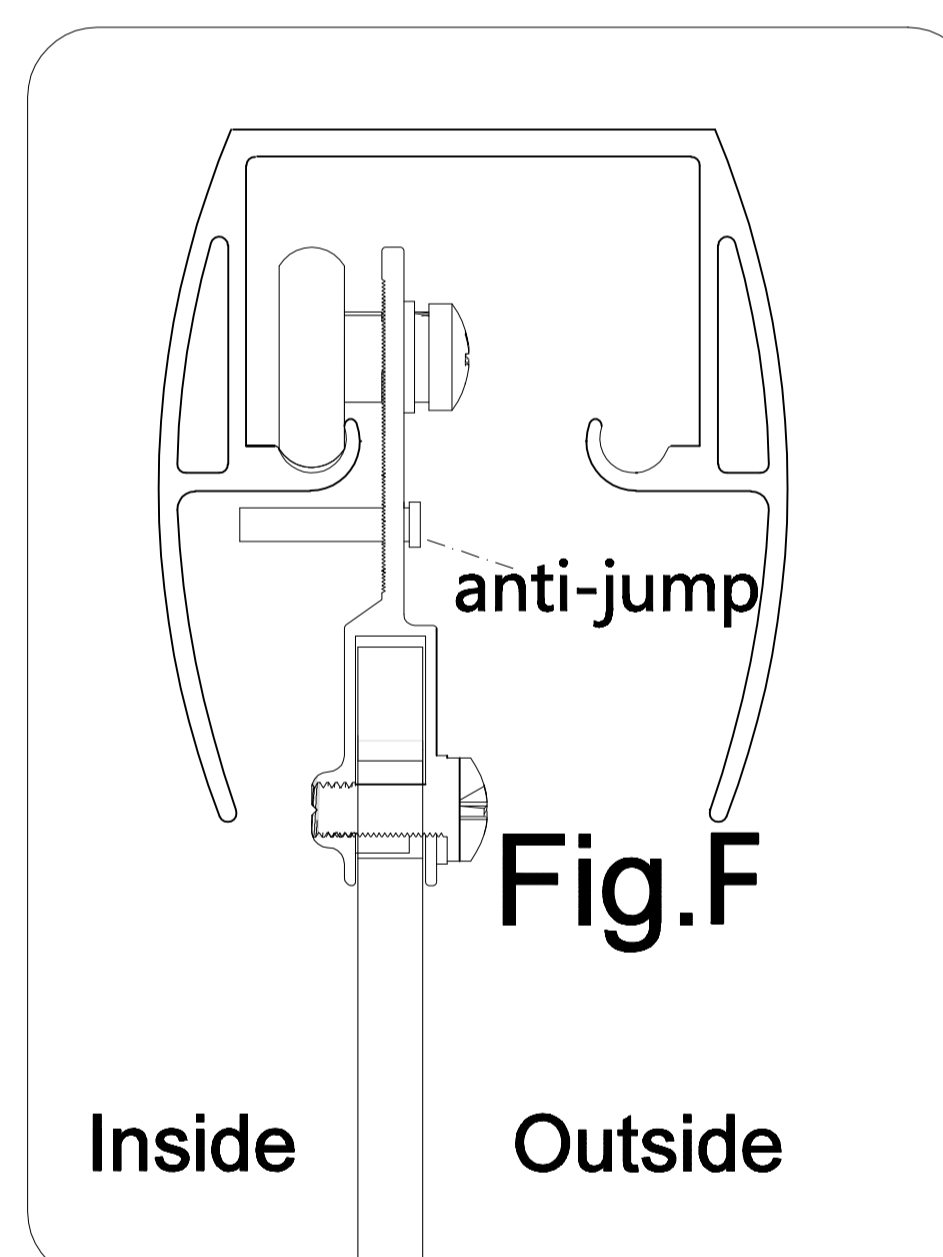
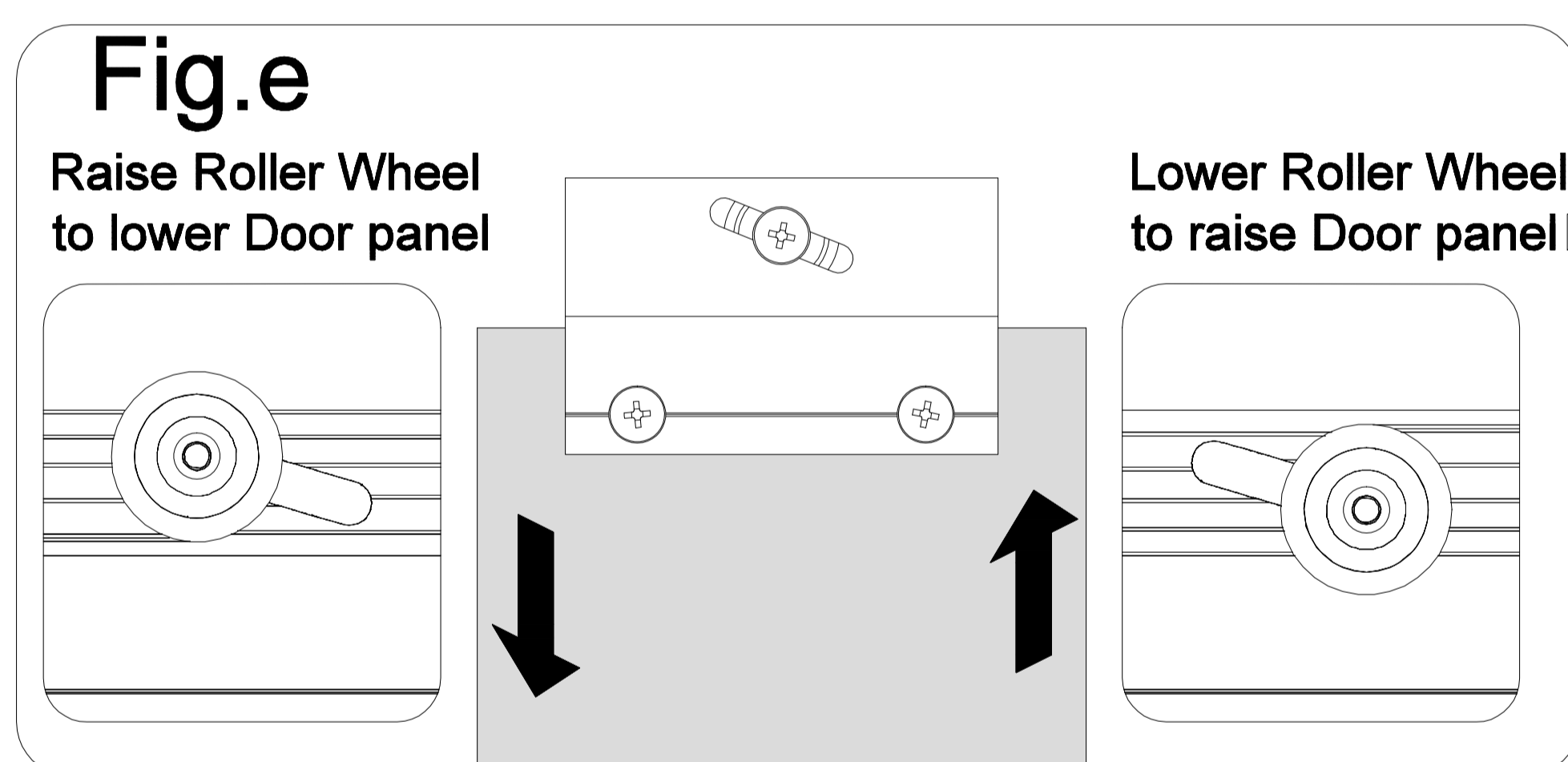
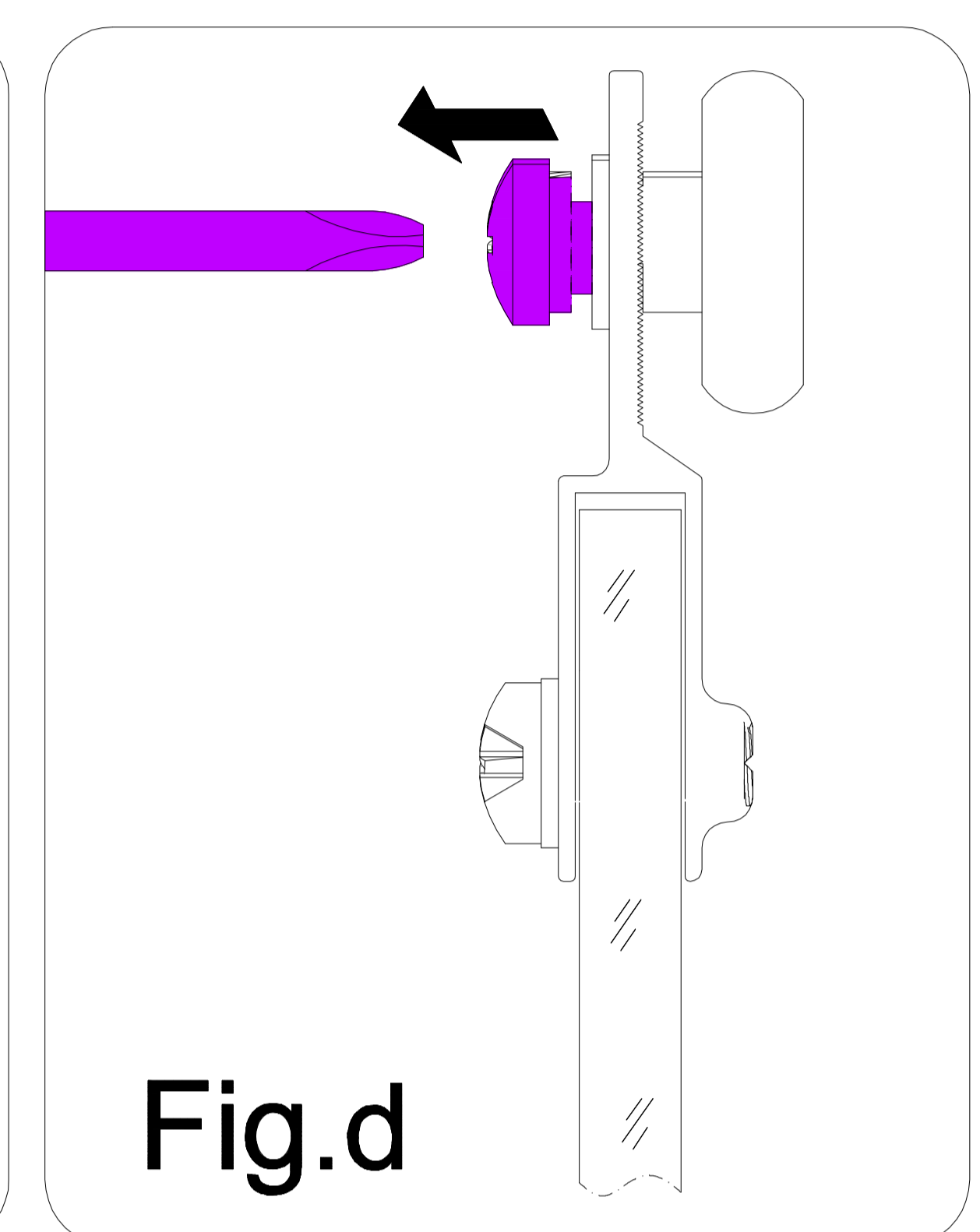
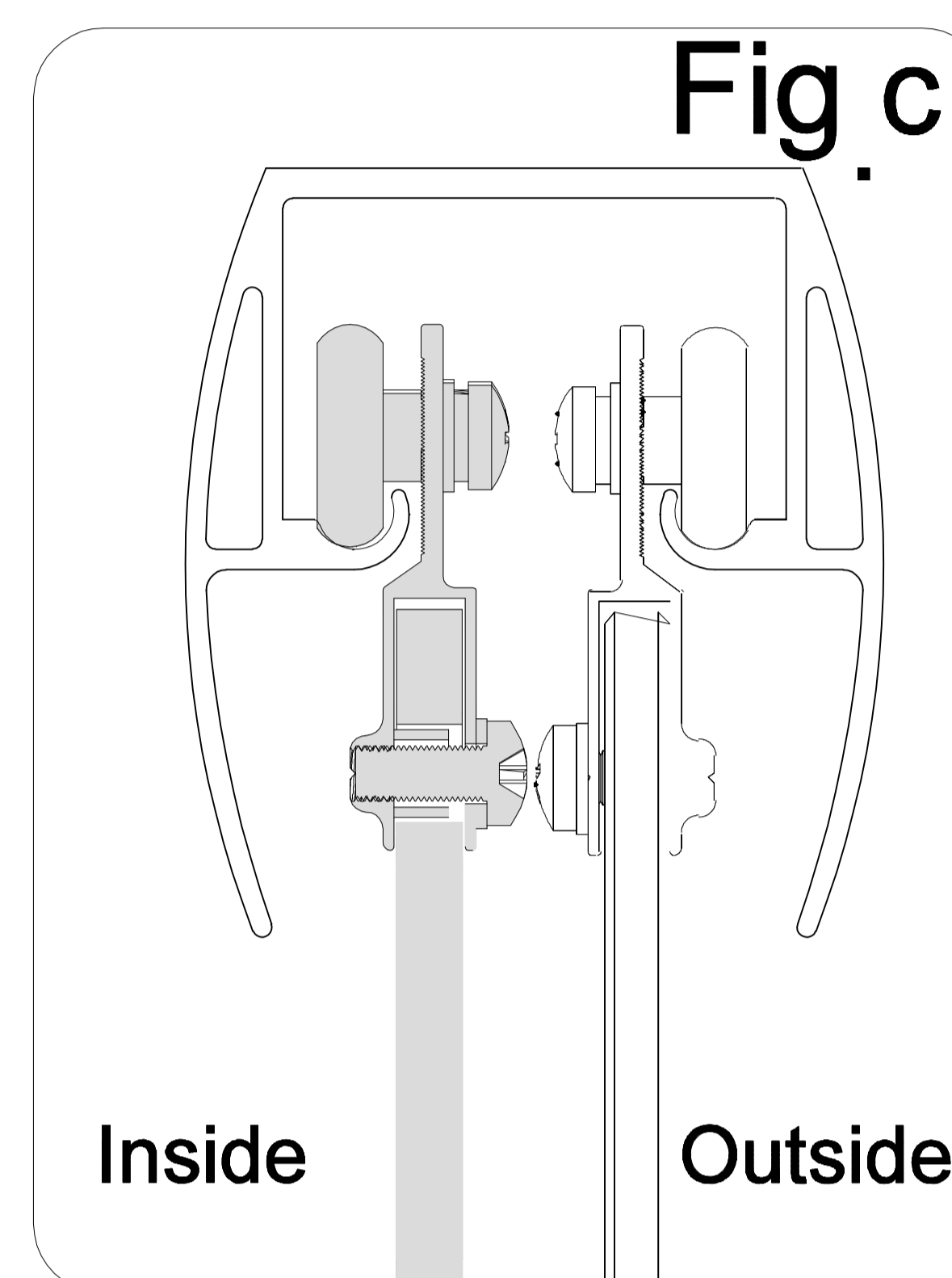
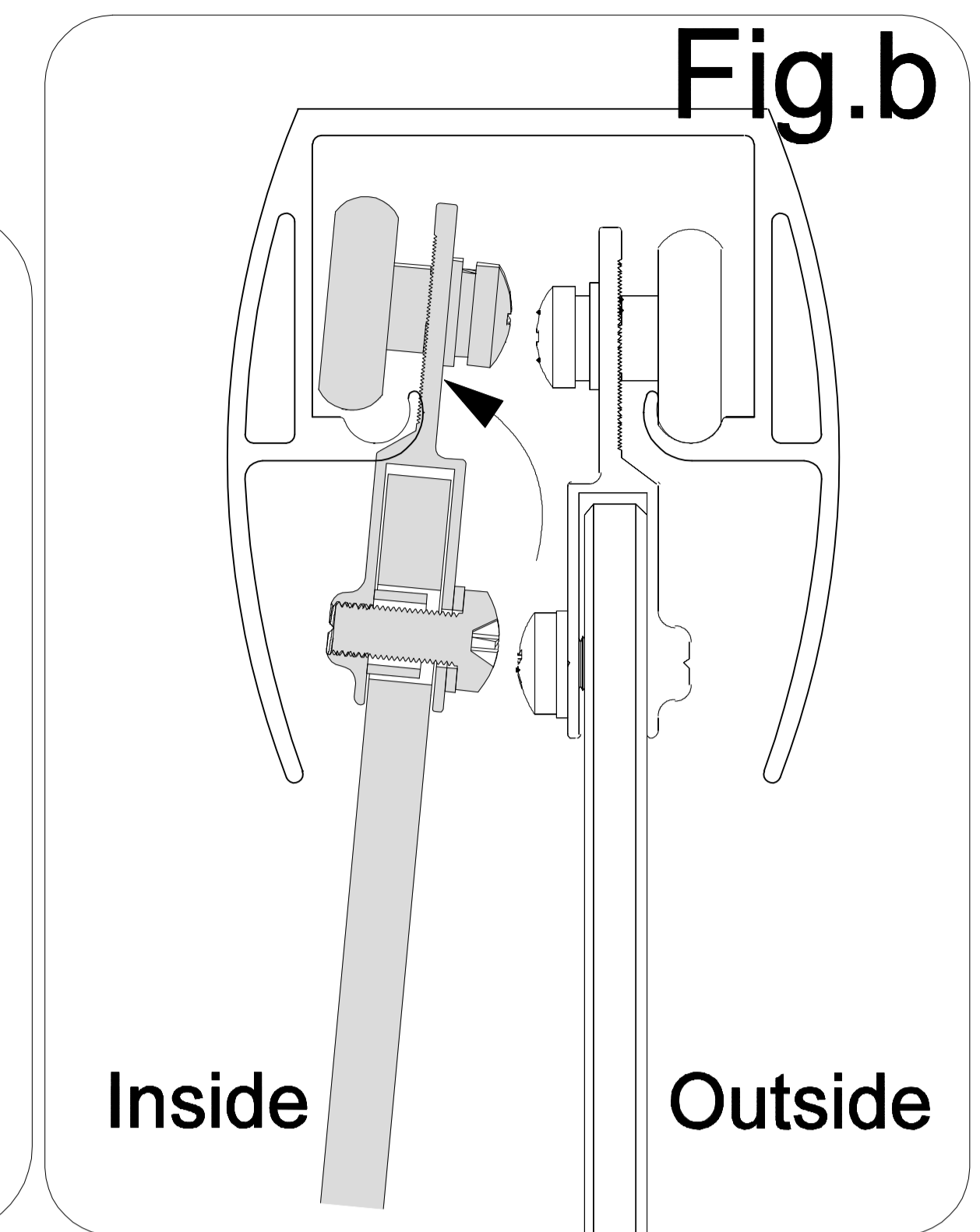
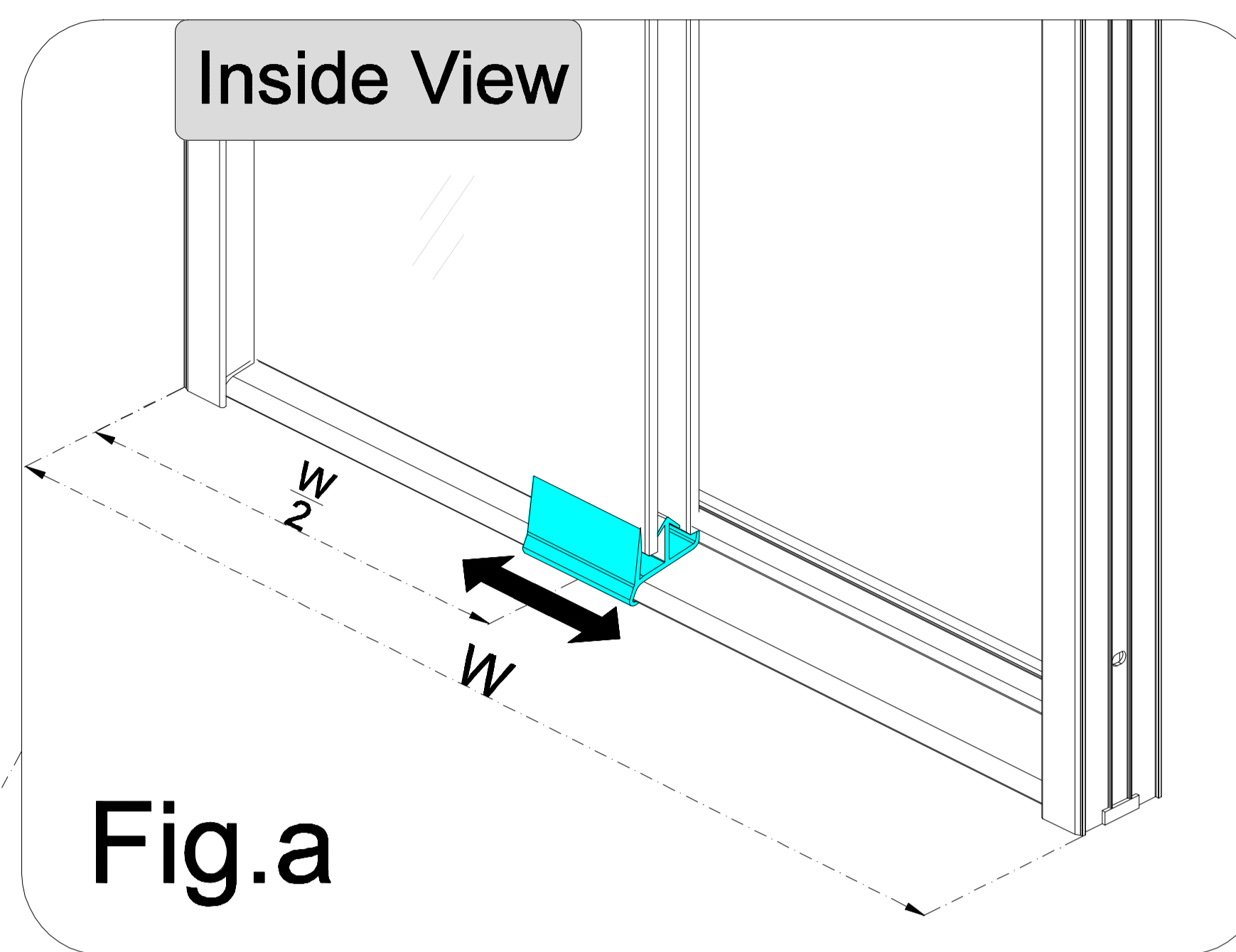
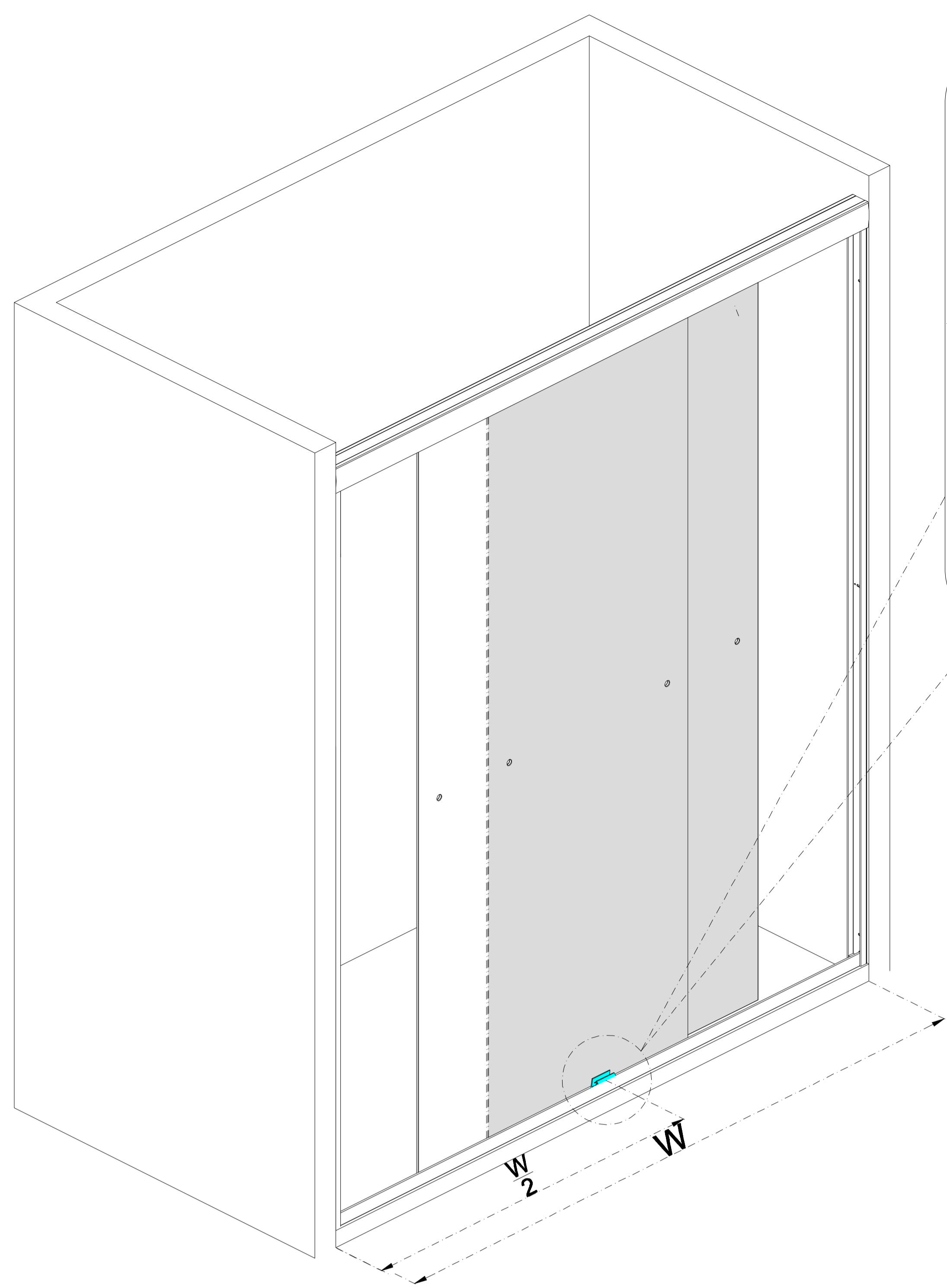


1. Move the bottom guide slider of the Bottom Rail(F) to the side as Fig.a;
2. Insert the Outside Door Panel(J) into the Upper Top Rail(A) as Fig.b and Fig.c.
3. Install anti-jump components as Fig.F

NOTE

- DO NOT** Install the handle on the glass until instructed.
DO NOT lift the glass using the handle;
1. The Roller Wheels can be adjusted to better align the vertical edges of the Door Glass with the Wall Profiles if needed, to prevent leaks;
 2. In order to adjust the Roller Wheels, remove that door from the Upper Top Rail (A). Please make sure the glass is put on the padded surface;
 3. Unscrew the screw first with Screw Driver as Fig.d;
 4. Adjusting a Roller Wheel up (higher in the slot) will lower the door glass, and adjusting a Roller Wheel down (lower in the slot) will raise the door glass as Fig.e;
 5. Tighten the screw, put the door on the guide rail, gently move the door and observe the door whether aligns with the Wall Jamb(C).
 6. Repeat step 2-6 until the door aligns with the Wall Jamb(C).

8. Inside Door panel(K) Installation



1. Move the bottom guide slider to the middle as Fig.a;
2. Insert the Inside Door Panel into the Upper Top Rail(A) as Fig.b and Fig.c;
3. Install anti-jump components as Fig.F

NOTE

DO NOT Install the handle on the glass until instructed.

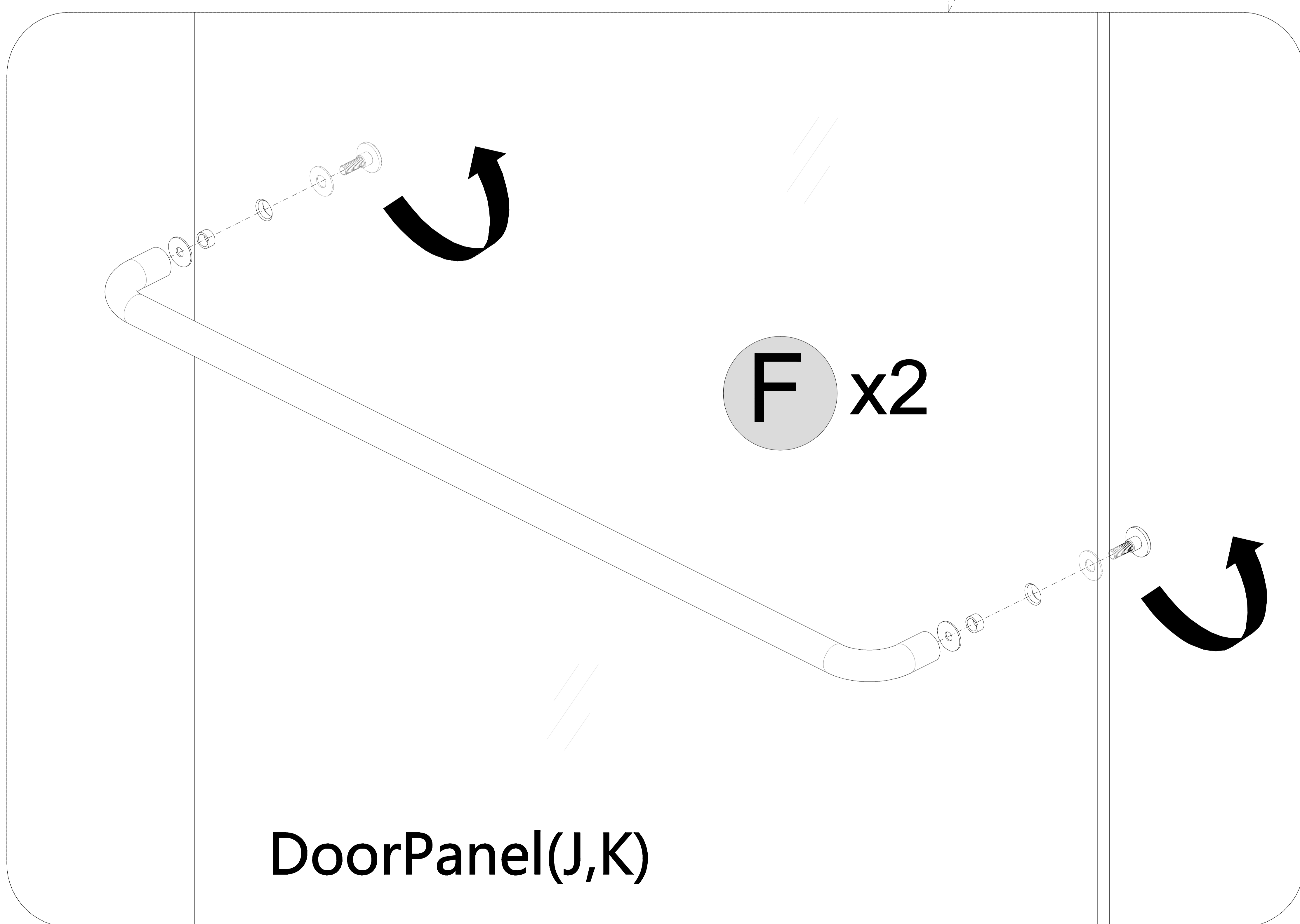
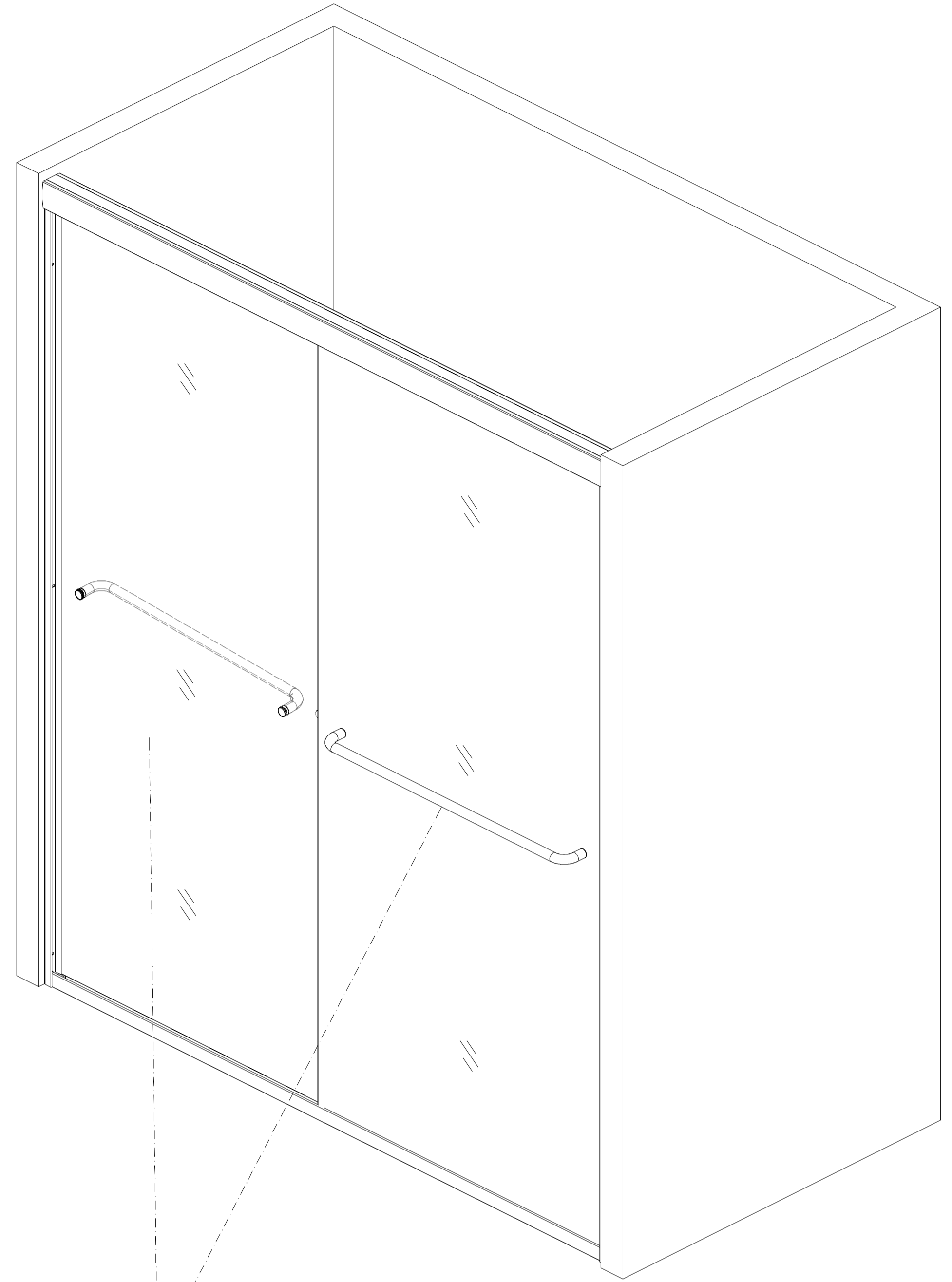
DO NOT lift the glass using the handle;

1. The Roller Wheels can be adjusted to better align the vertical edges of the Door Glass with the Wall Profiles if needed, to prevent leaks;
2. In order to adjust the Roller Wheels, remove that door from the Upper Top Rail (A). Please make sure the glass is put on the padded surface;
3. Unscrew the screw first with Screw Driver as Fig.d;
4. Adjusting a Roller Wheel up (higher in the slot) will lower the door glass, and adjusting a Roller Wheel down (lower in the slot) will raise the door glass as Fig.e;
5. Tighten the screw, put the door on the guide rail, gently move the door and observe the door whether aligns with the Wall Jamb(C).
6. Repeat step 2-6 until the door aligns with the Wall Jamb(C).

9. Handle (E) Installation

NOTE

Attach the Handle (E) to the Door Panel (J, K) . Be sure to use all of the supplied rubber gaskets to protect the glass.



10. SEALING

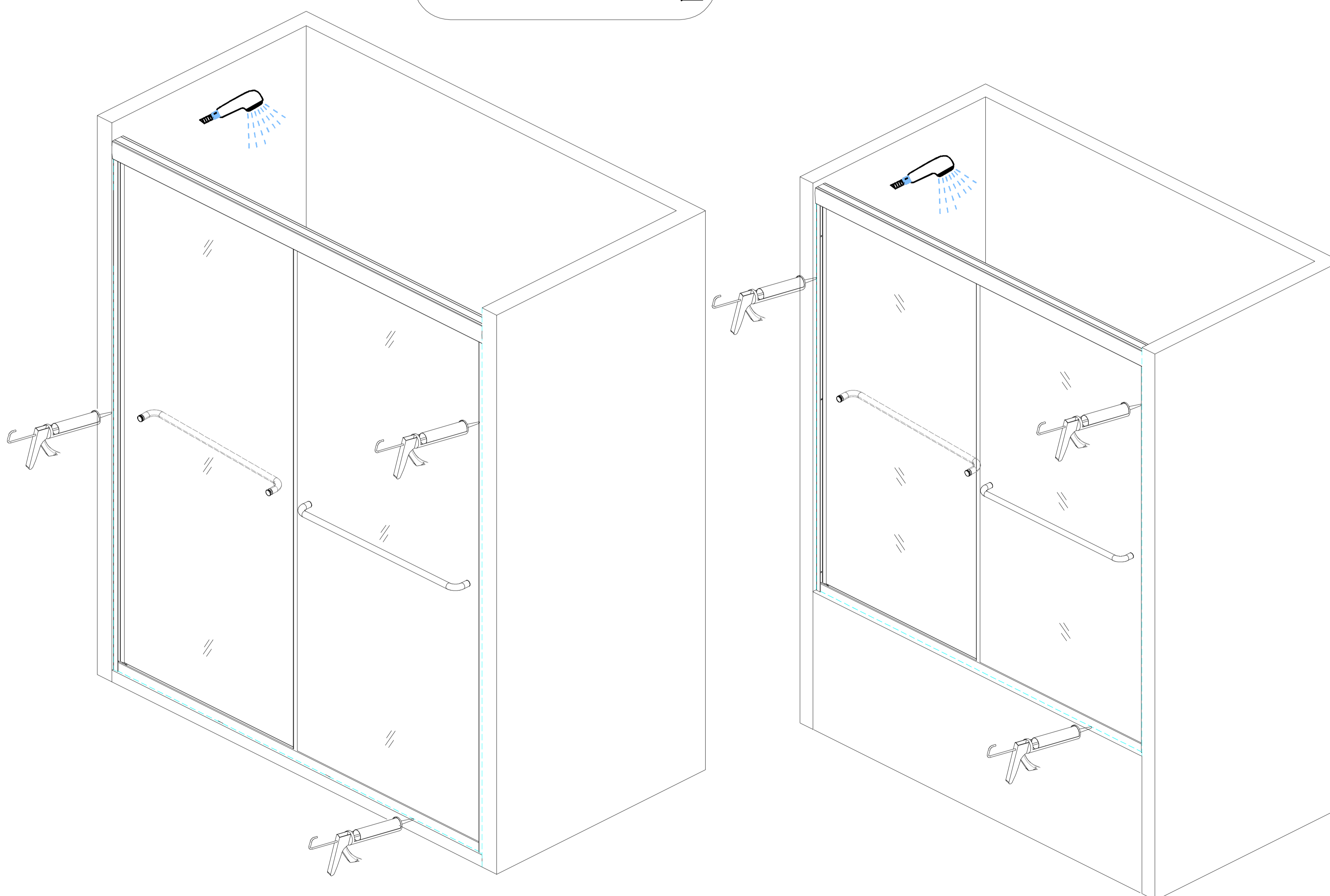
NOTE The surfaces need to be clean and free of debris before applying silicone sealant.

NOTE Ensure that the Shower door closes tightly and opens smoothly. Apply a good quality silicone sealant along the wall Jamb(C) and Bottom Rail(F).

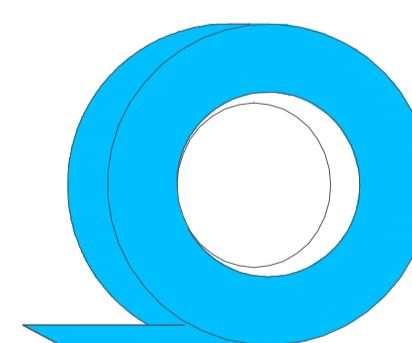
Allow 24 hours for the silicone to cure before using the shower.



! Apply Silicone Sealant, (not supplied).



Apply silicone around the bottom rail.



Use Painter's Tape to hold the Water seal tight in position while the silicone cures.