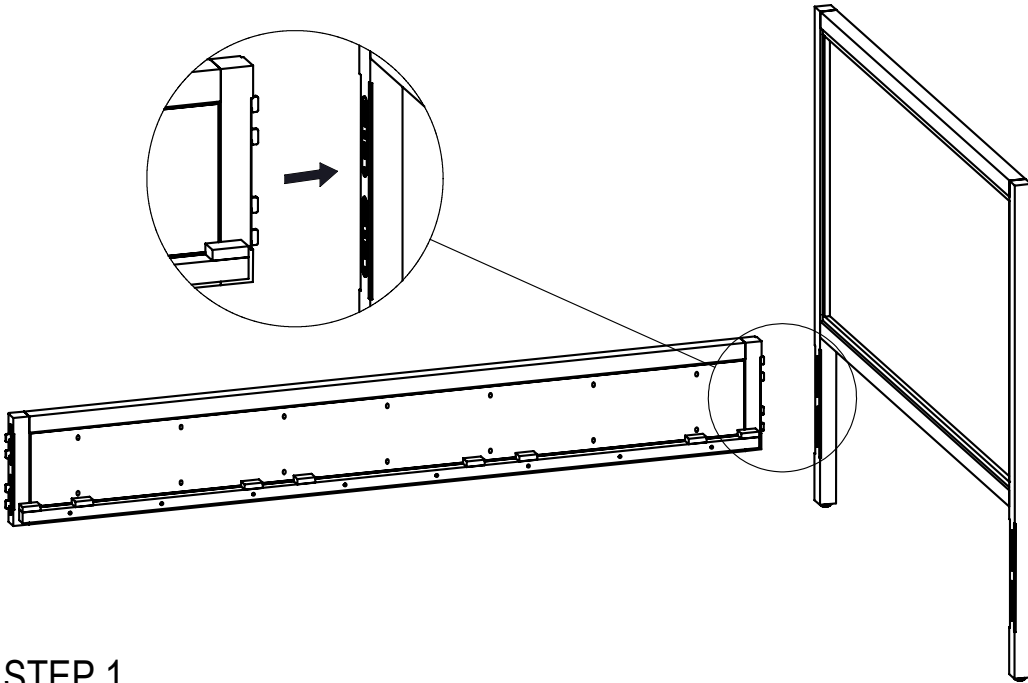
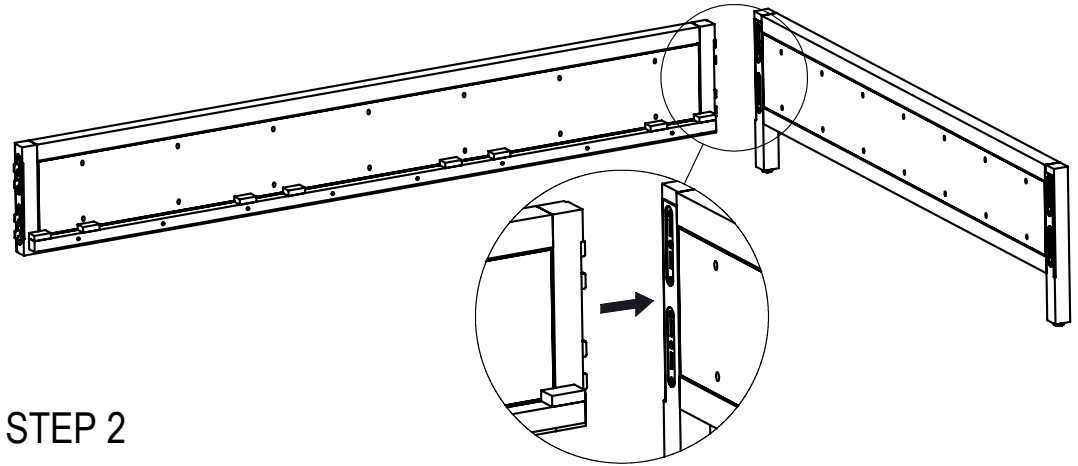


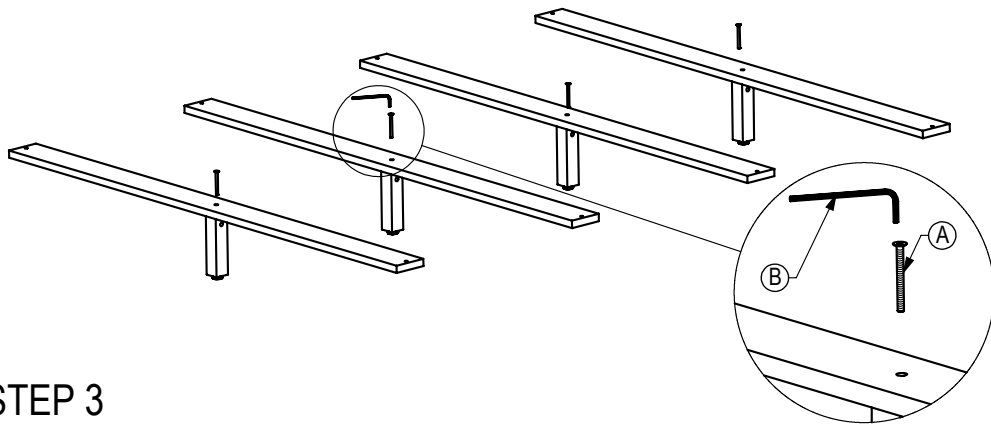
ASSEMBLING INSTRUCTION LONG KEY BED KING/QUEEN



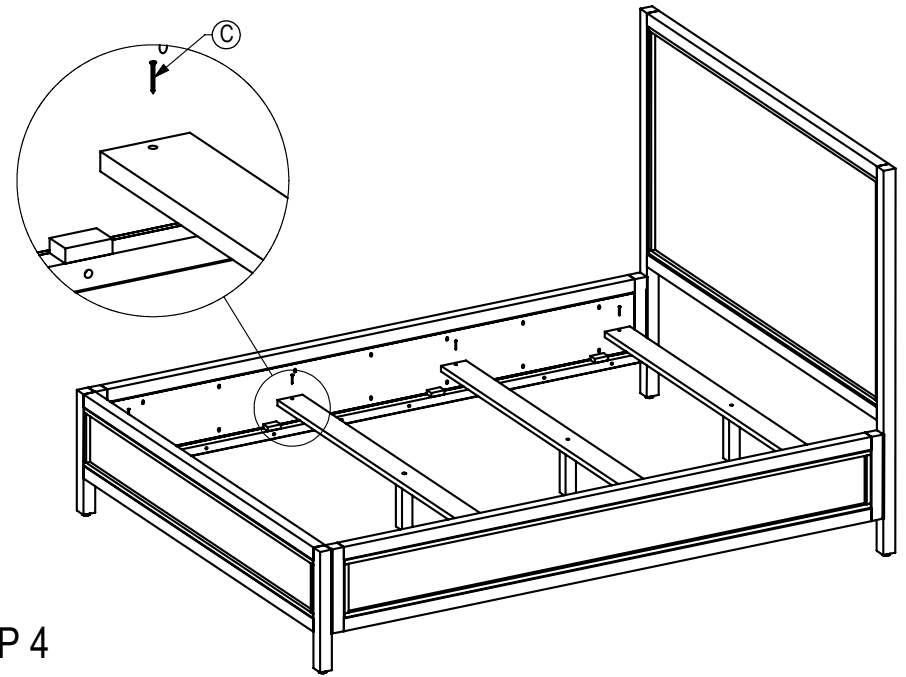
STEP 1



STEP 2

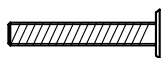


STEP 3



STEP 4

A



BAUT JCBC
M6X 60

Pcs : 4

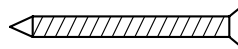
B



L KEY

PC : 1

C



Sekrup FAB
Ø6 x 1.5" SS

Pcs : 8