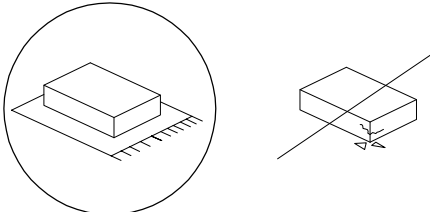
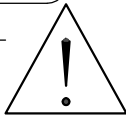
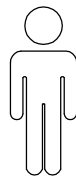
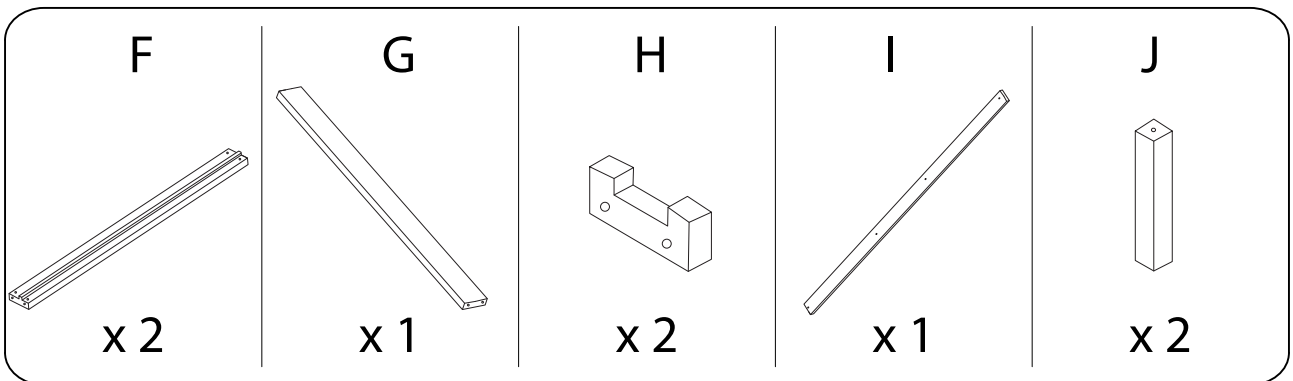
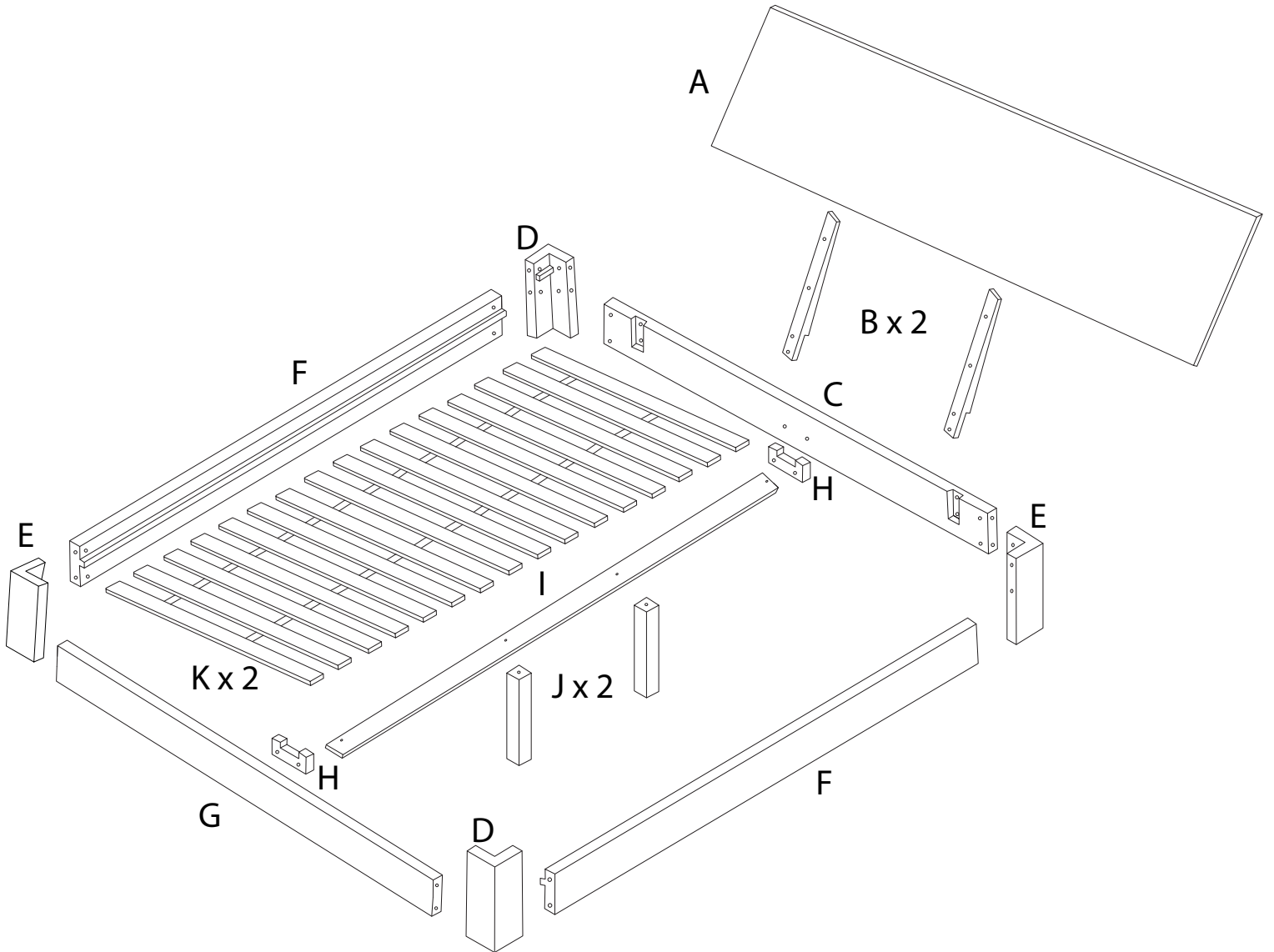
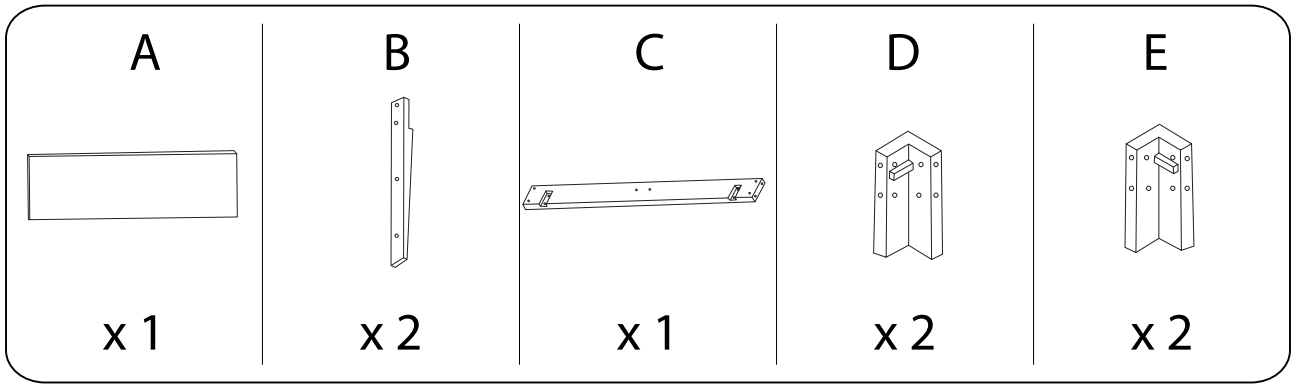
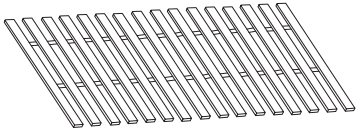

		<p>45'</p>
		
		<p>1</p>



K



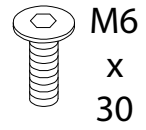
x 2

L



x 16

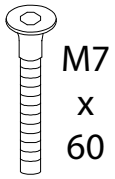
M



M6
x
30

x 40

N



M7
x
60

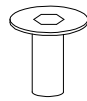
x 2

O



x 1

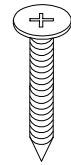
P



M8
x
20

x 4

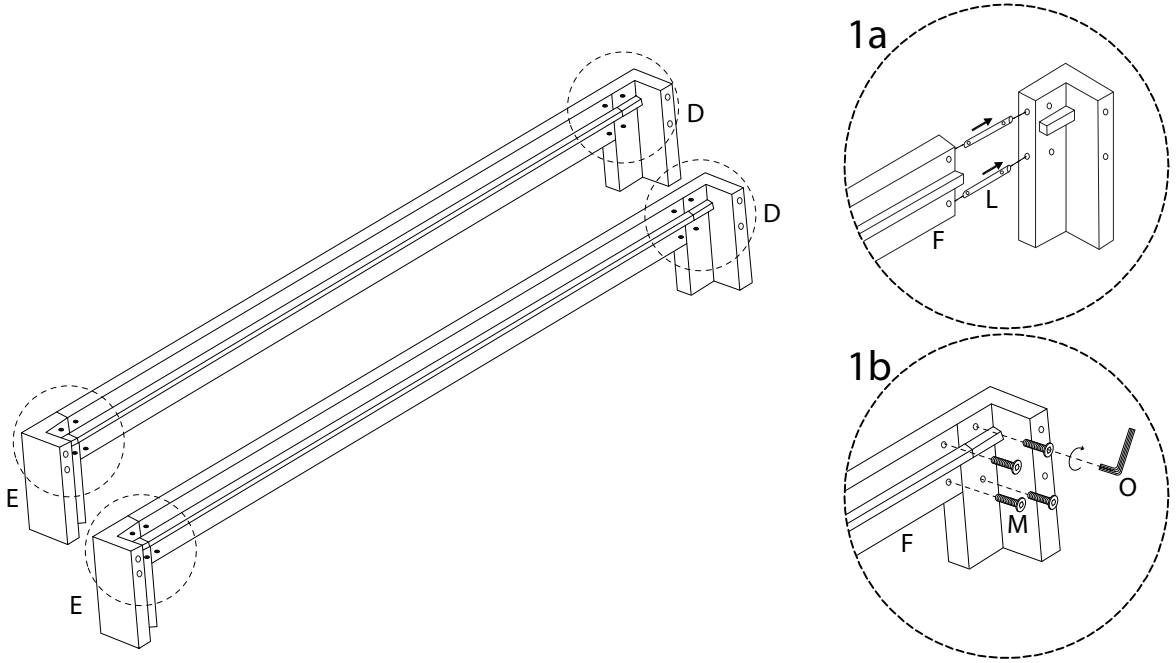
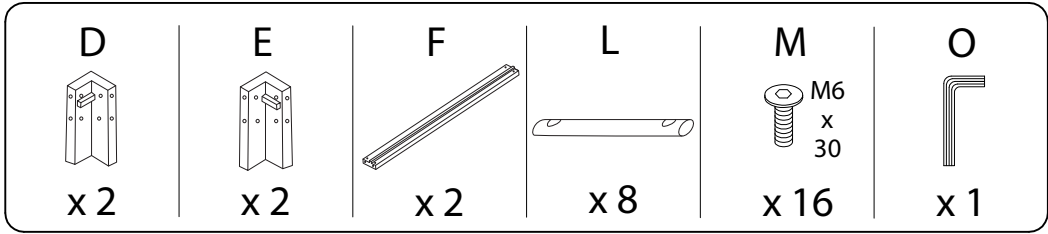
Q



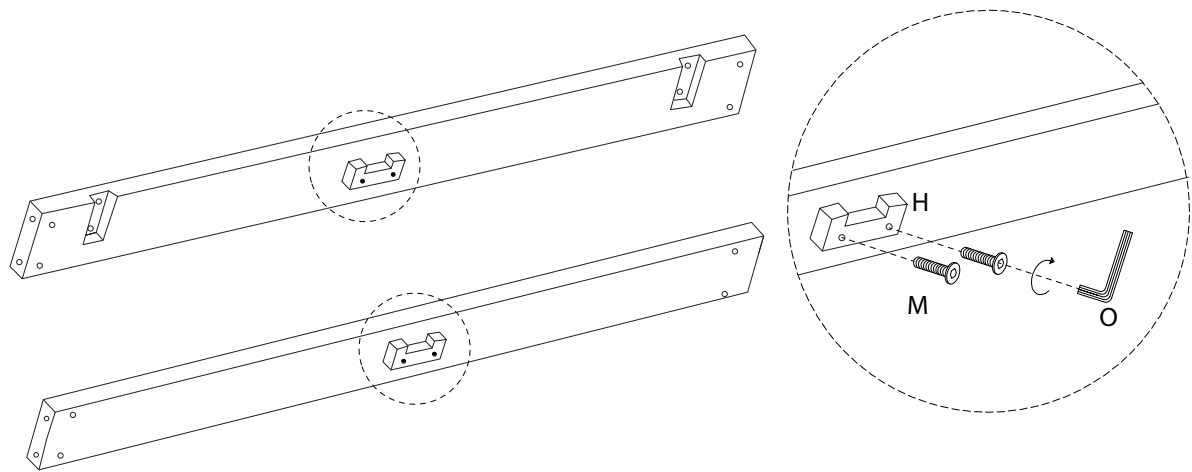
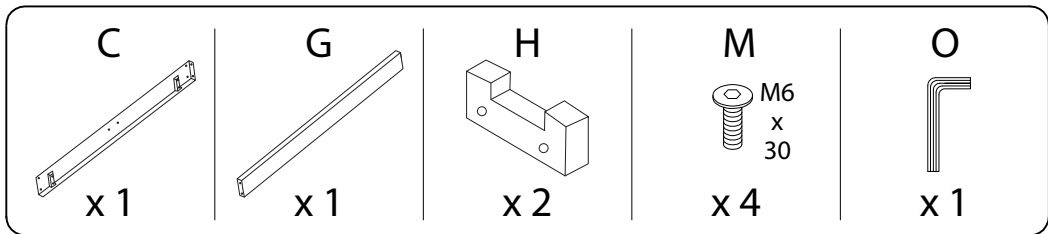
M3.5
x
30

x 16

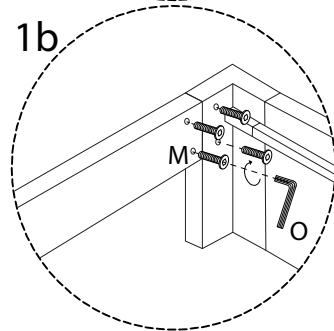
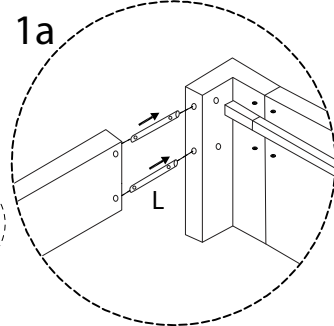
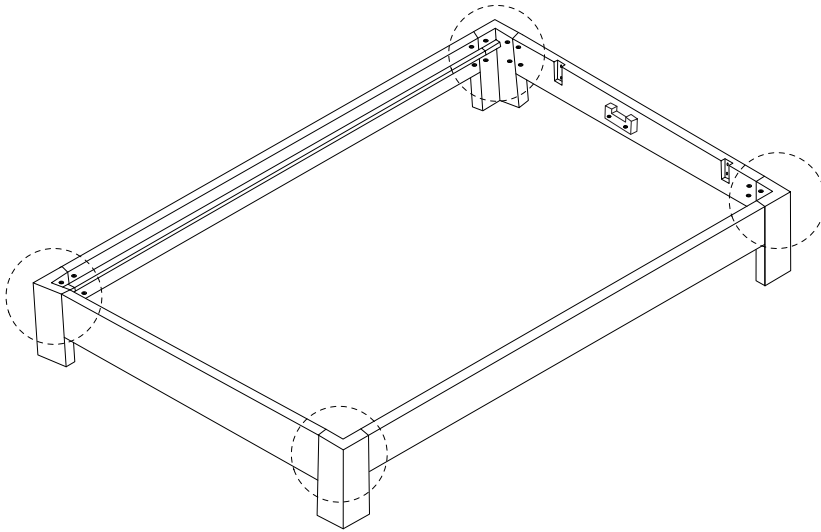
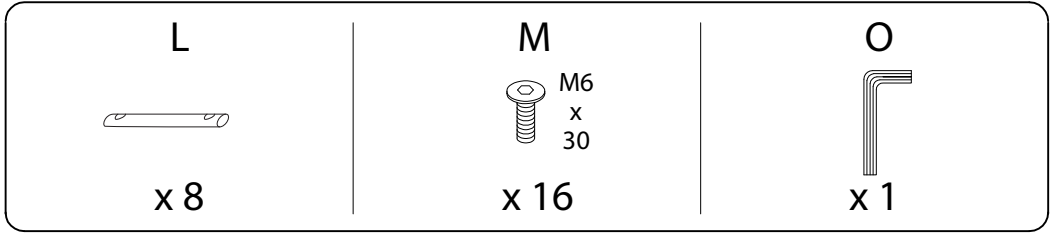
1



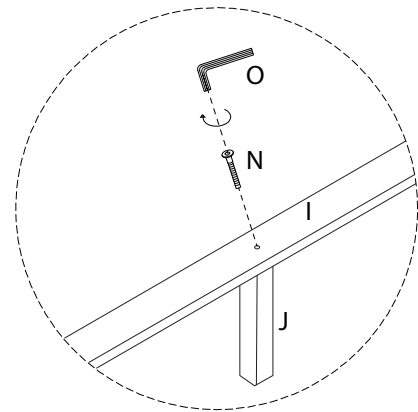
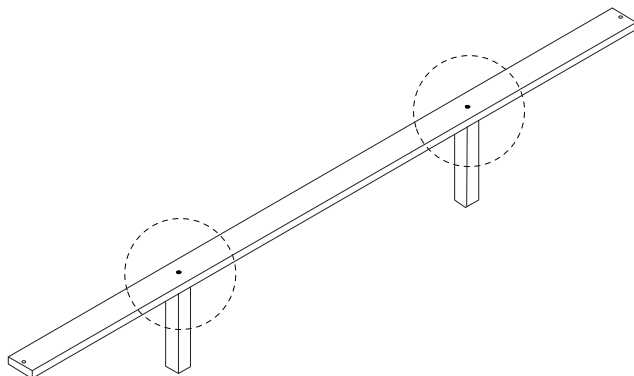
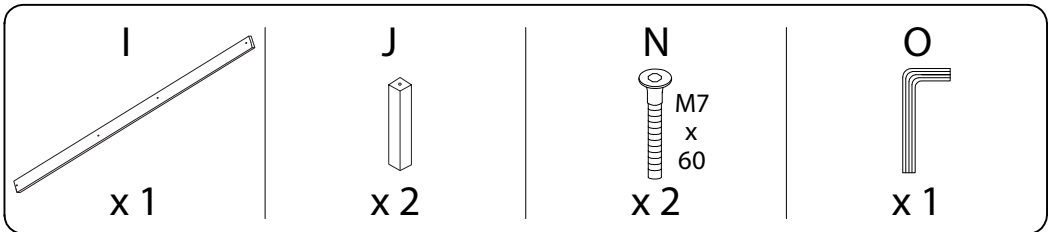
2



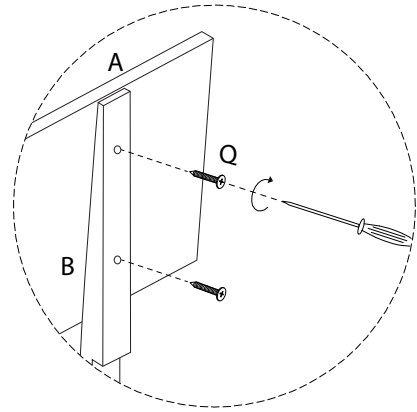
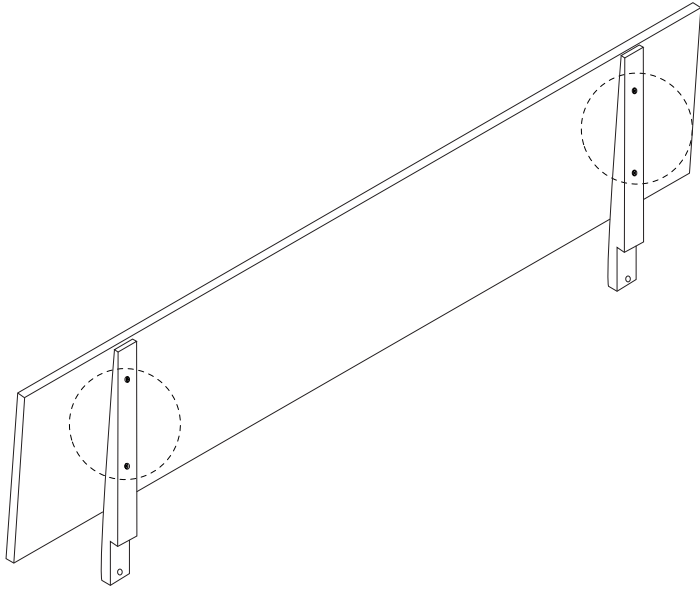
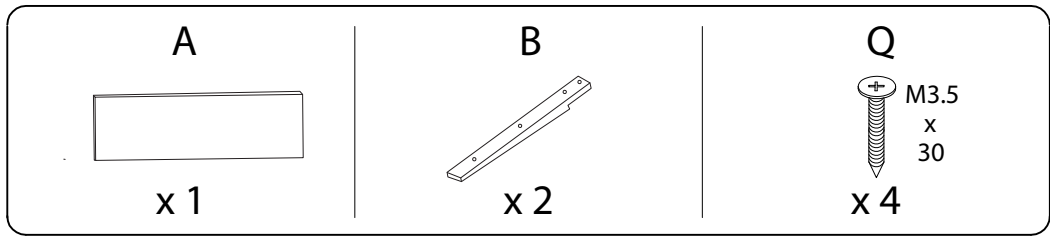
3



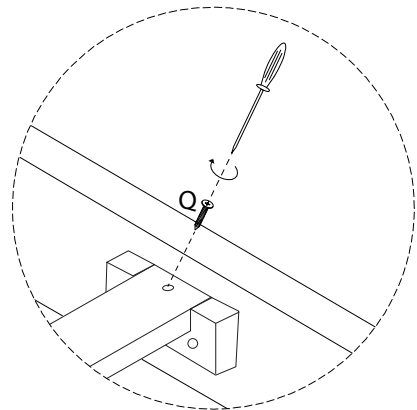
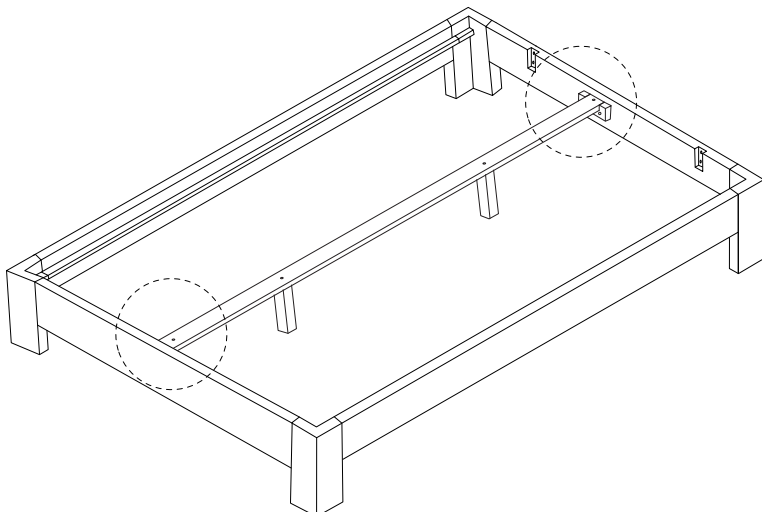
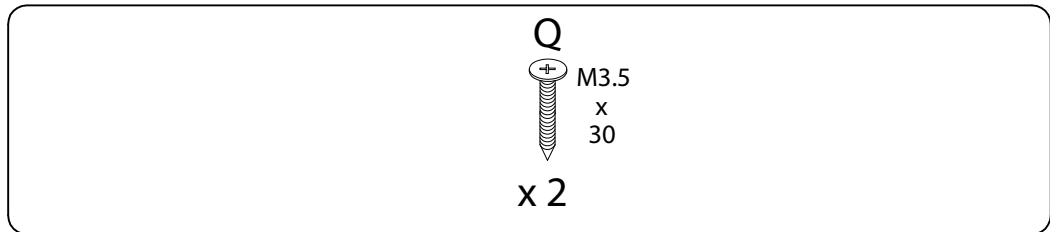
4



5



6



7

M

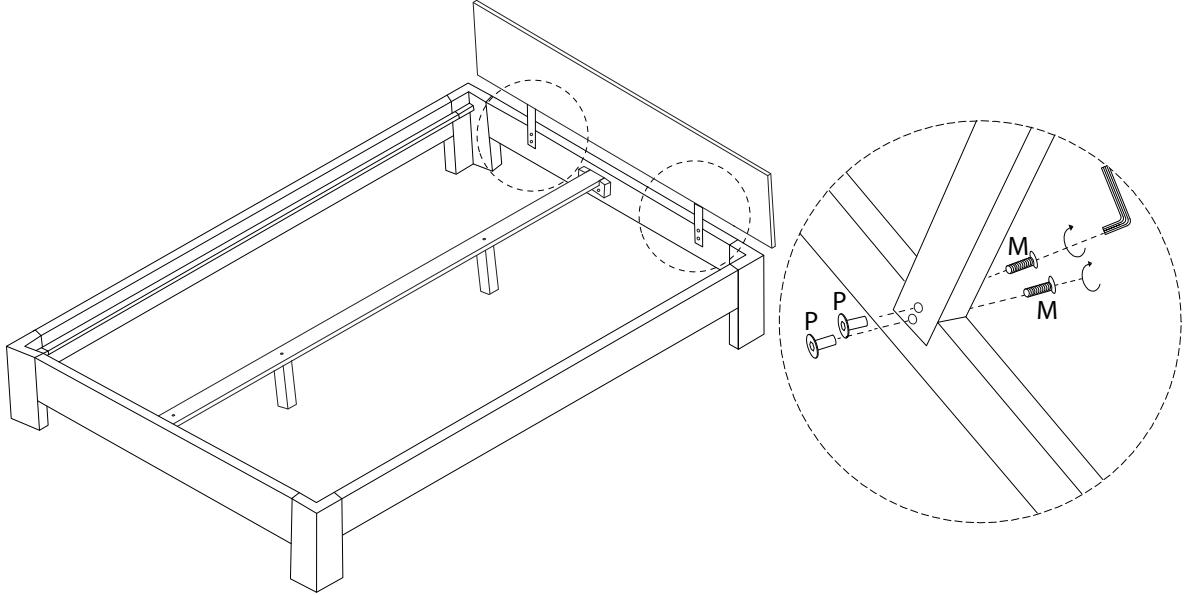


x 4

P

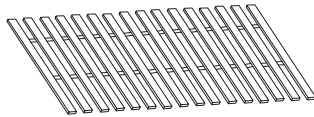


x 4



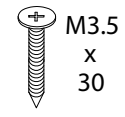
8

K



x 2

Q



x 12

