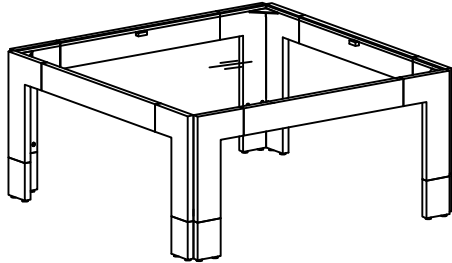


# ASSEMBLY INSTRUCTIONS

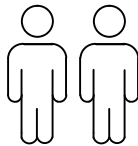
## GOLD SQUARE COFFEE TABLE CHROME SQUARE COFFEE TABLE



### + Do Not Use PowerTools



### + Suggested Adults



#### NOTE:

- 1 Read instructions cover to cover.
- 2 Save all packaging until assembly is completed.

### 1 IMPORTANT SAFETY INFORMATION

**Do not** assemble the product if any of the following parts arrived damaged:

Part # -Table Top

**Tempered Glass Warning:** Should the tempered glass chip at ANY point throughout ownership, please immediately discontinue use of the table to avoid injury.

**CAUTION :** DO NOT place hot objects (100°F or more) directly on the glass surface.

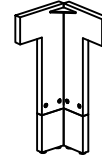
### 2 IMPORTANT ASSEMBLY INFORMATION

**Assembly Step** Use Bolt , to connect Part to Part .

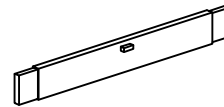
**Assembly Step** Use Bolt , to connect Part and Part , to Part .

### + Parts Included

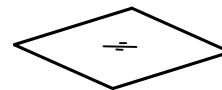
- ① Leg  
4PCS



- ② Acrylic Rail  
4PCS



- ③ Glass Top  
1PC



### + Hardware Included

- A Bolt(1/4"\*5/8")  
16 PCS



- B Allen Key(4mm)  
1 PC



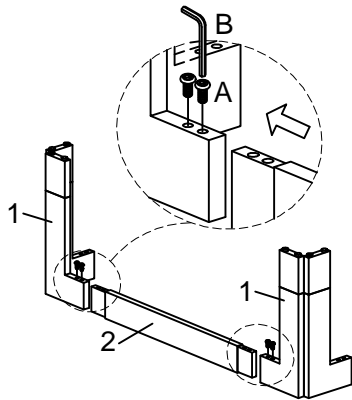
- C Antiskid Pad  
8 PCS



# ASSEMBLY INSTRUCTIONS

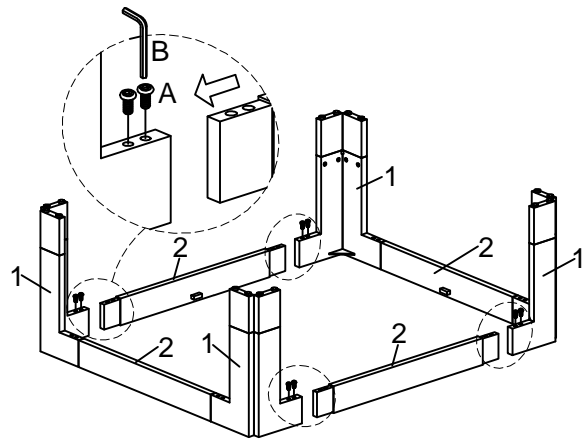
GOLD SQUARE COFFEE TABLE  
CHROME SQUARE COFFEE TABLE

①



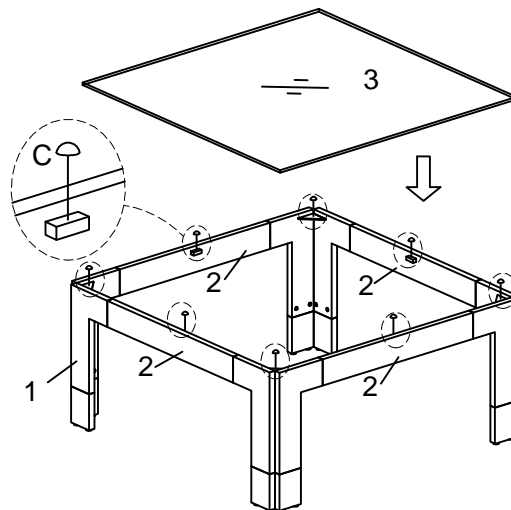
**Note: Do not fully tighten the bolts at this step.**

②



**Note: Do not fully tighten the bolts at this step.**

③



**Note: Fully tighten all bolts at this step.**