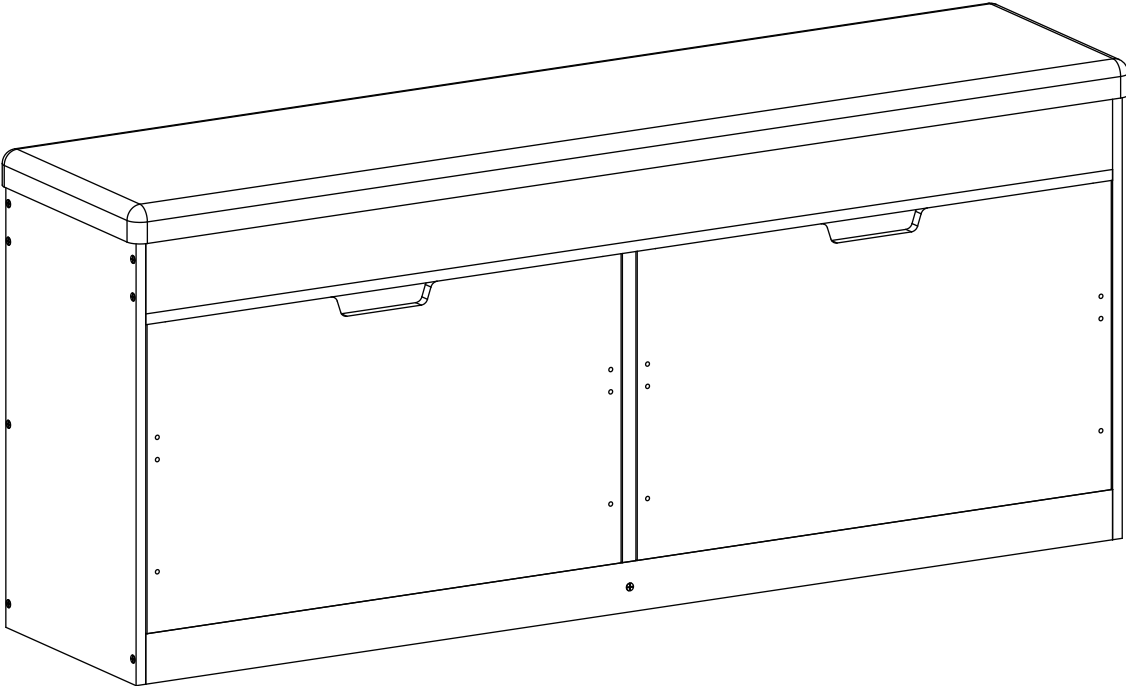


Model: RQ-4

Assembly Instructions



MADE IN CHINA

General Guidelines

- Please read the following instruction carefully and use the product accordingly.
- Please keep this manual and hand it over when you transfer the product.
- This summary may not include every detail of all variations and considered steps. Please contact us when further information and help are needed.

Notes

- This item is only intended to be used indoors. Personal injury and/or damage to product may occur if products are used outside of their intended purposes and/or if products have been changed/modified from their original design. The product must be assembled and used in accordance with the provisions of the manual. The manufacturer does not assume any responsibility or liability with respect to any damage caused by incorrect assembly or improper use.
- It is recommended that assembly is undertaken by at least 2 adults. Please read assembly instructions before assembly and strictly adhere to each step outlined.
- If there is/are defective and/or missing part/s after unpacking, please cease assembly immediately and get in contact with us.
- Please assemble the item in a spacious room and do not place the unwrapped product directly on the ground to avoid damage. It is recommended to wear gloves during the assembly to avoid scratches from any sharp edges.
- Please do not stand, sit or place heavy items on the wooden boards or other parts before assembly to avoid cracks or distortion of the wooden board. Cracks or distortion will affect the assembly and normal use.
- Please match the corresponding board and fitting based on the part number in the manual. If the board does not match with the fitting, please check the pieces as specified in this manual.
- Please refer to the diagram during assembly. Align all screws with the related pre-drilled holes first and later tighten the screws one by one only after putting all the parts in their correct places.
- Please note that each type of screw has a spare screw.
- Periodically inspect screw tightness while the product is in use. If necessary, retighten to ensure structural integrity.
- Do not expose product to direct sunlight or rain; and do not put it in a humid place. Failure to do so may accelerate the distortion, discoloration or cause fissures.
Never touch with sharp objects or corrosive chemicals, which may damage the surface of the item.
- For daily care, please clean with a damp cloth, then immediately wipe dry.

Helpful Hints

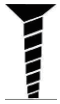
PEOPLE NEEDED FOR ASSEMBLY: 1-2

- Open your item in the area you plan to keep it to avoid excessive heavy lifting.



- Identify, sort and count the parts before attempting assembly.

- Compression dowels are lightly tapped in with a hammer.



- Slides are labeled with an R (right) and L (left) for proper placement.



- Make sure to always face the point on the top of the Cam Lock towards the outer edge.

- If there is a back panel in the package, please install it to make sure your unit is complete and sturdy.



-Please fix all the screws provided for the back panel which can enhance product stability. If it is difficult to fix it when tightening, it can be fixed with the help of a hammer and then tightened.

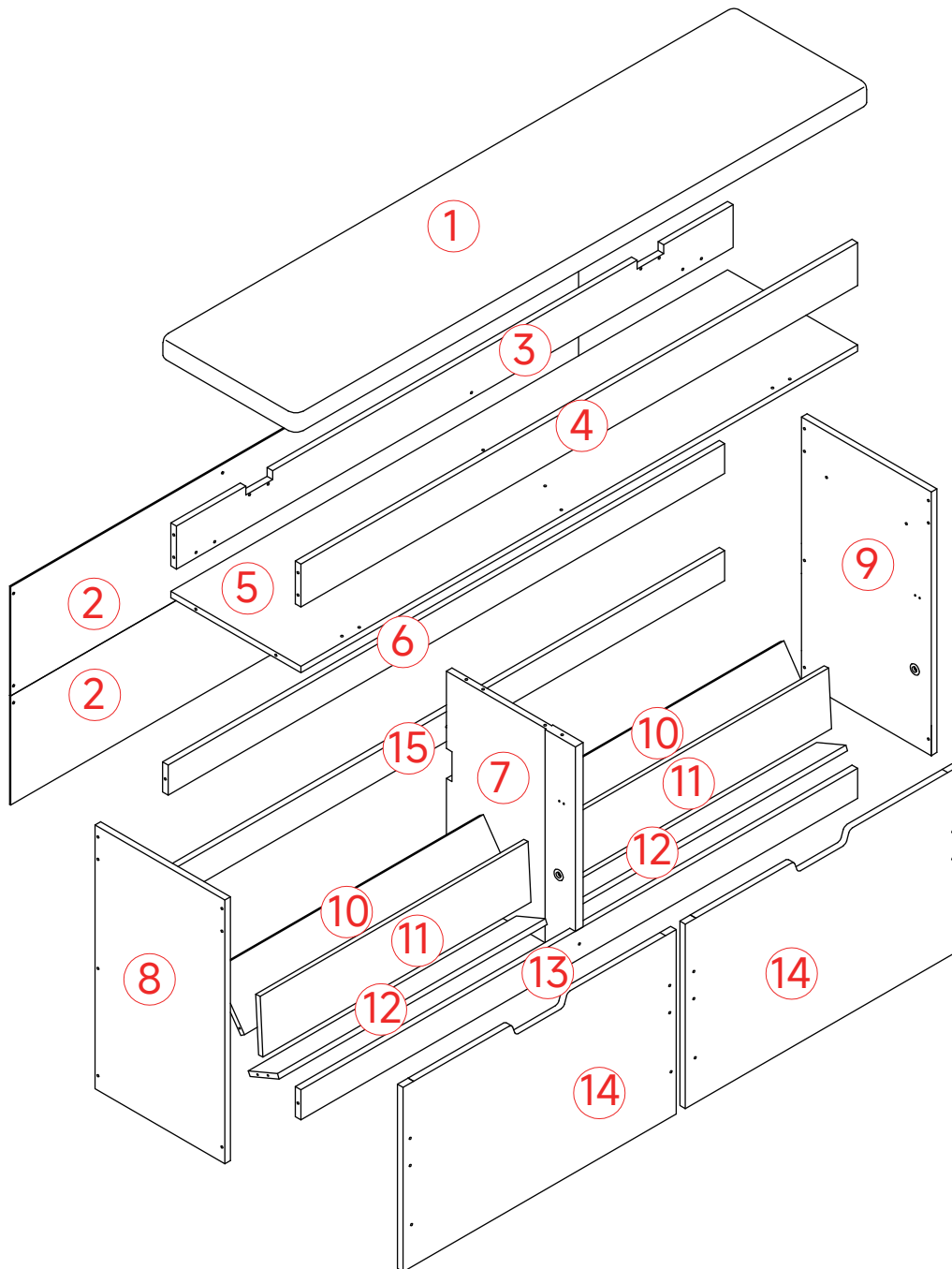


- Do NOT use harsh chemicals or abrasive cleaners on this item.

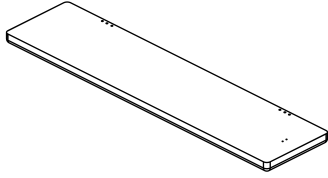


- Never push, pull, or drag your furniture.

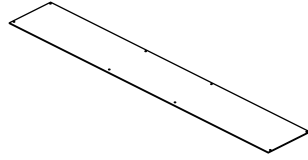
Exploded View:



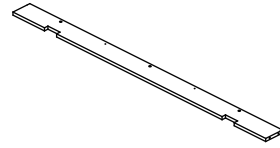
Componets :



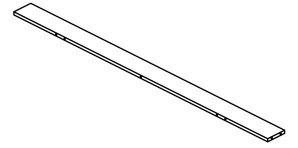
① x1PC



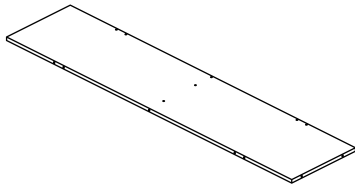
② x2PCS



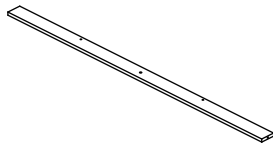
③ x1PC



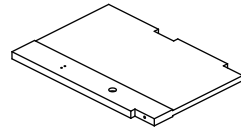
④ x1PC



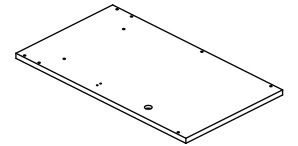
⑤ x1PC



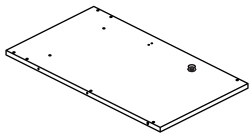
⑥ x1PC



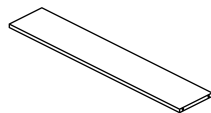
⑦ x1PC



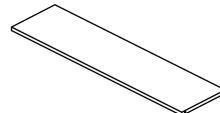
⑧ x1PC



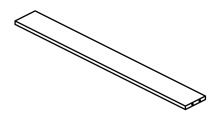
⑨ x1PC



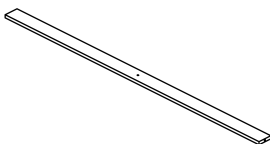
⑩ x2PCS



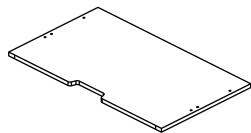
⑪ x2PCS



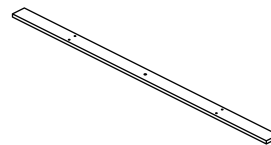
⑫ x2PCS



⑬ x1PC

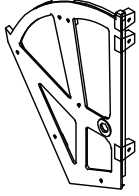


⑭ x2PCS

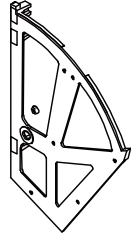


⑮ x1PC

Parta List:



A1 x1PC



A2 x1PC



A3 x2PCS

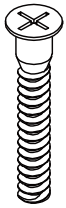


A4 x2PCS



M4x10
A5 x2PCS

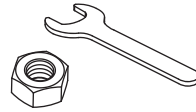
A x2PCS



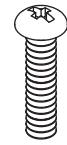
M5x38
B x25PCS



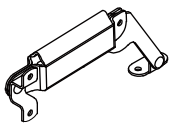
M3.5x12
C x56PCS



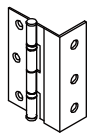
M4
D x12PCS



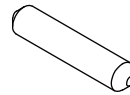
M4x16
E x12PCS



F x1PC



G x2PCS

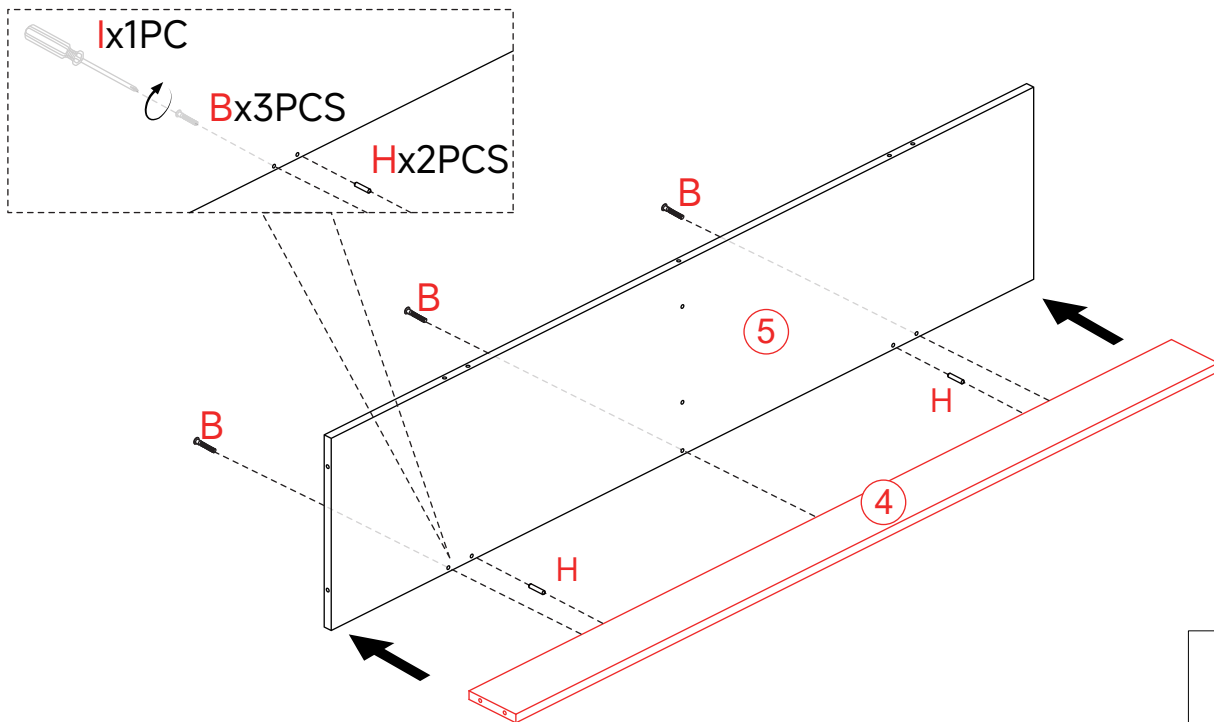


M6x30
H x10PCS



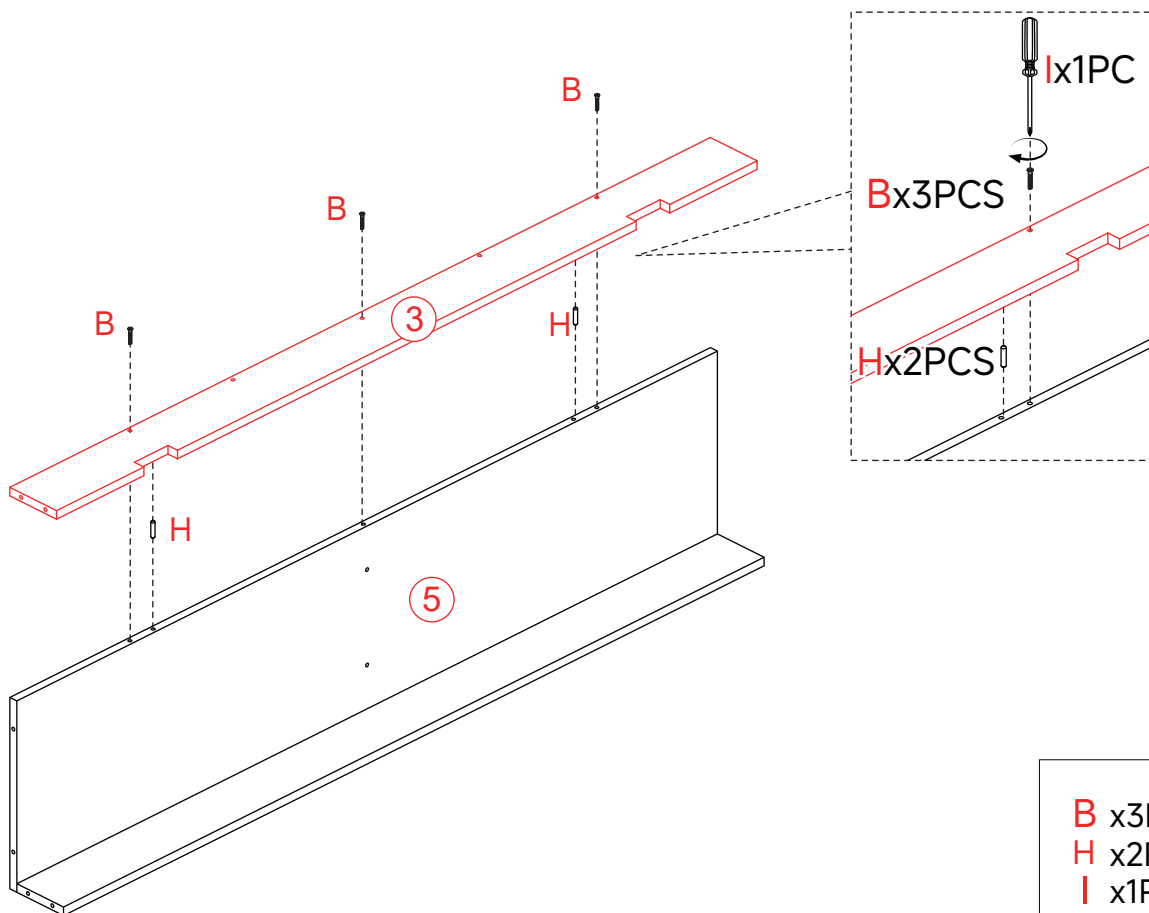
I x1PC

Step 1



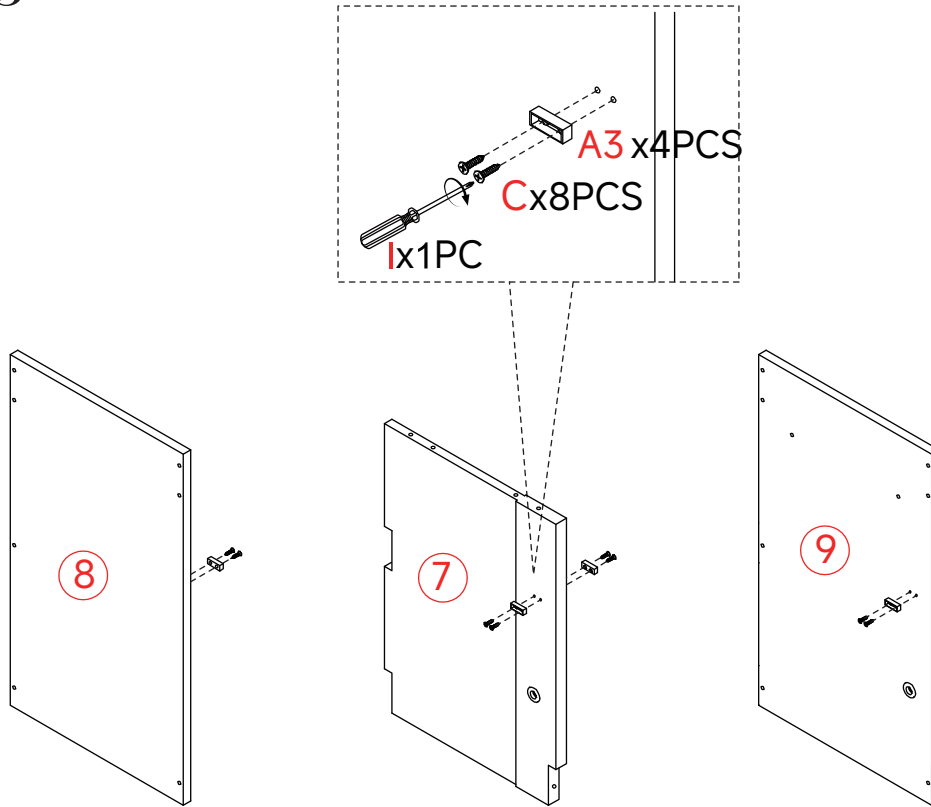
- B** x3PCS
- H** x2PCS
- I** x1PC
- ④ x1PC
- ⑤ x1PC

Step 2



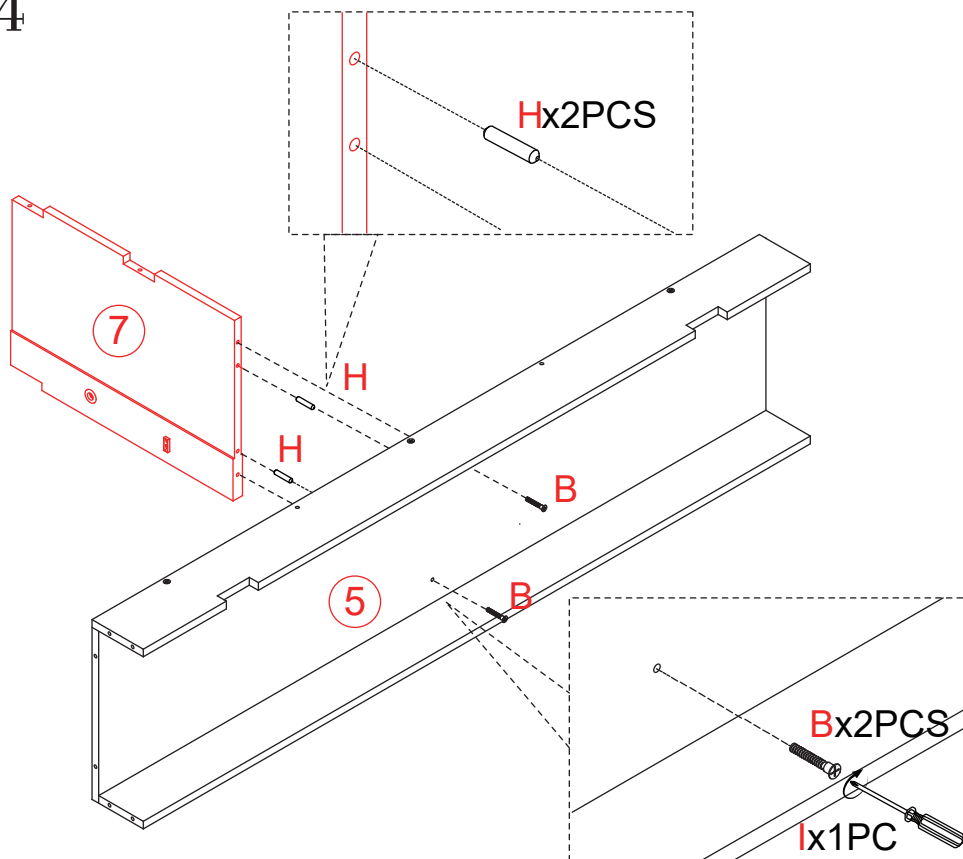
- B** x3PCS
- H** x2PCS
- I** x1PC
- ③ x1PC

Step 3



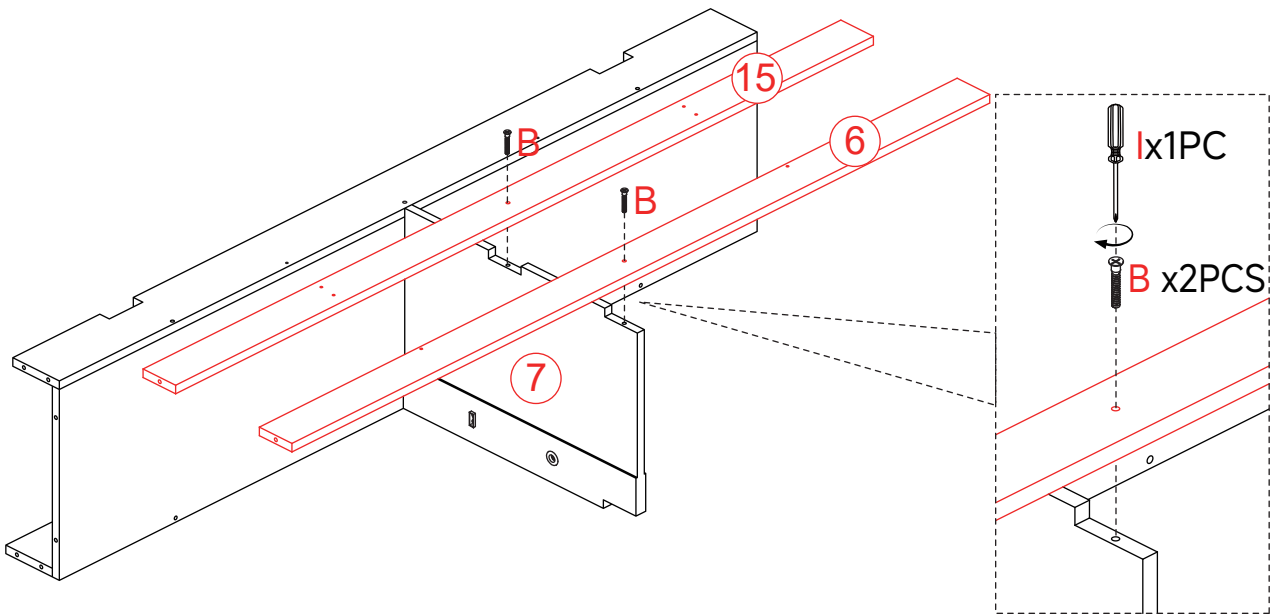
- C** x8PCS
- A3** x4PCS
- I** x1PC
- 7** x1PC
- 8** x1PC
- 9** x1PC

Step 4



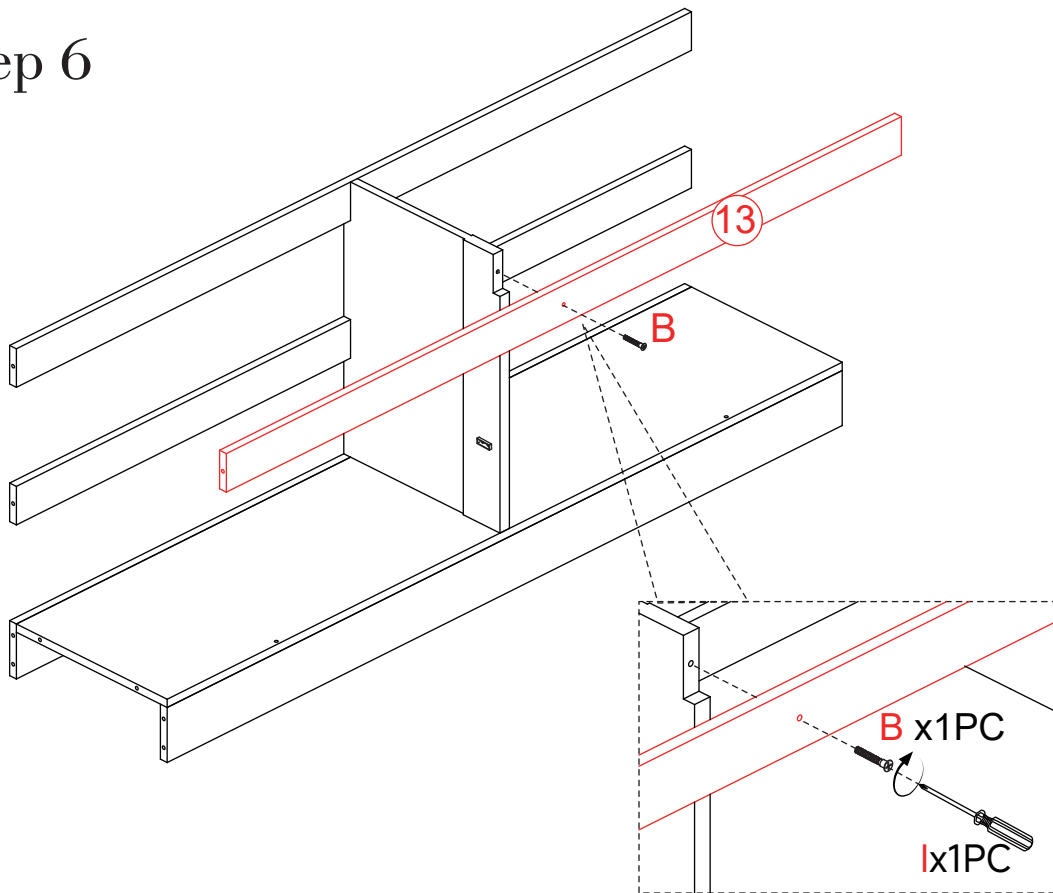
- B** x2PCS
- H** x2PCS
- I** x1PC
- 7** x1PC

Step 5



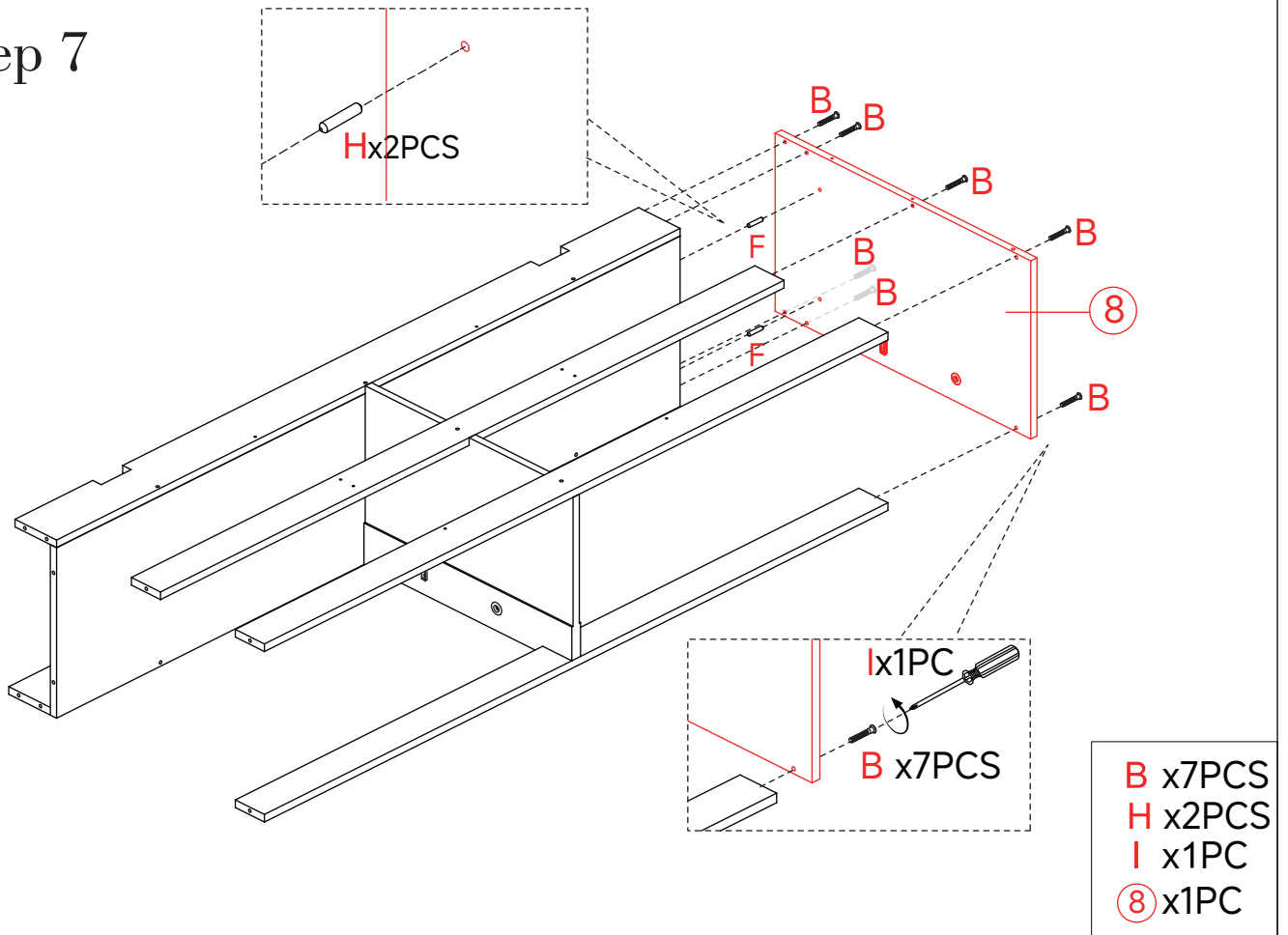
B x2PCS
I x1PC
6 x1PC
15 x1PC

Step 6

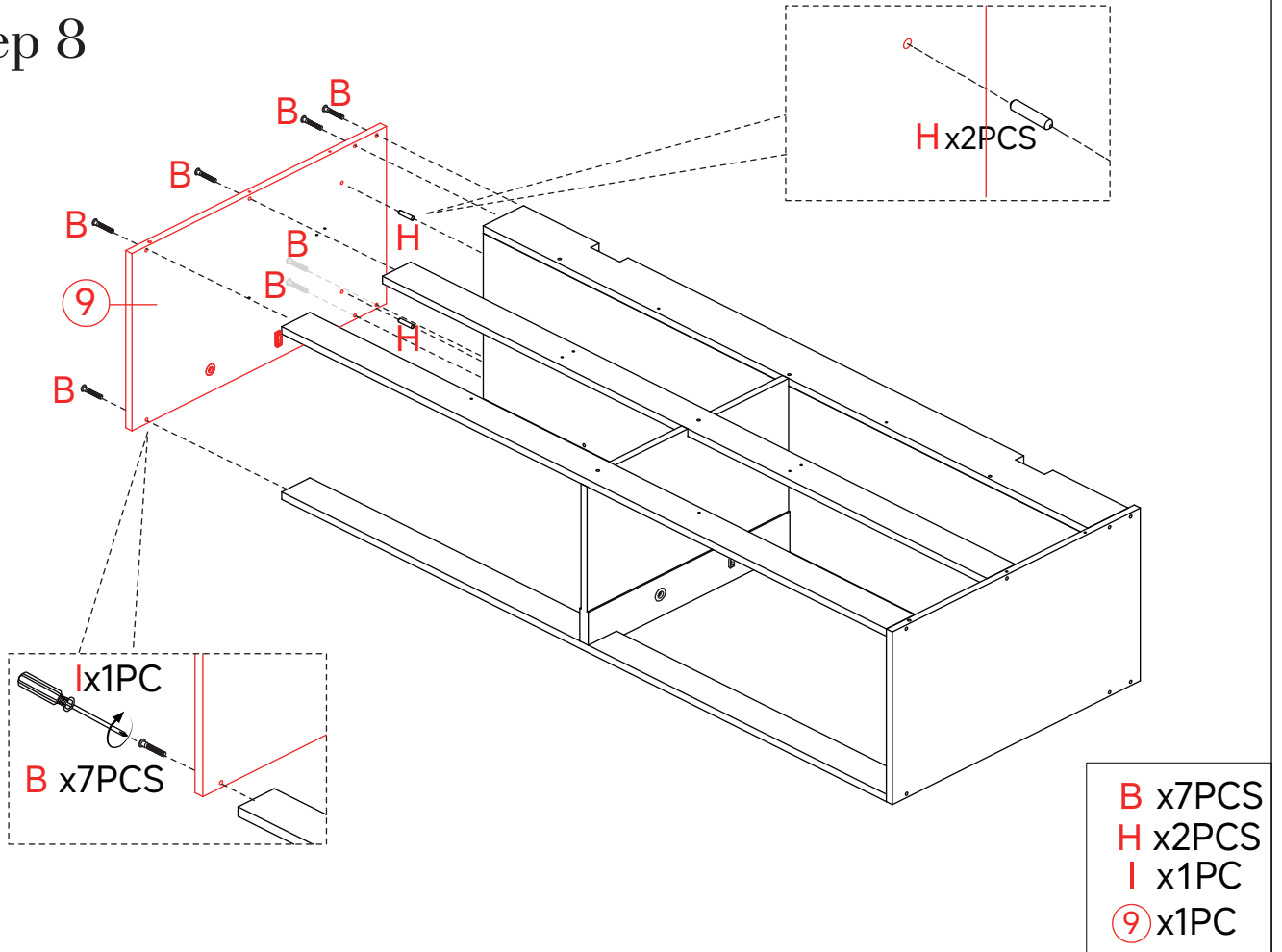


B x1PC
I x1PC
13 x1PC

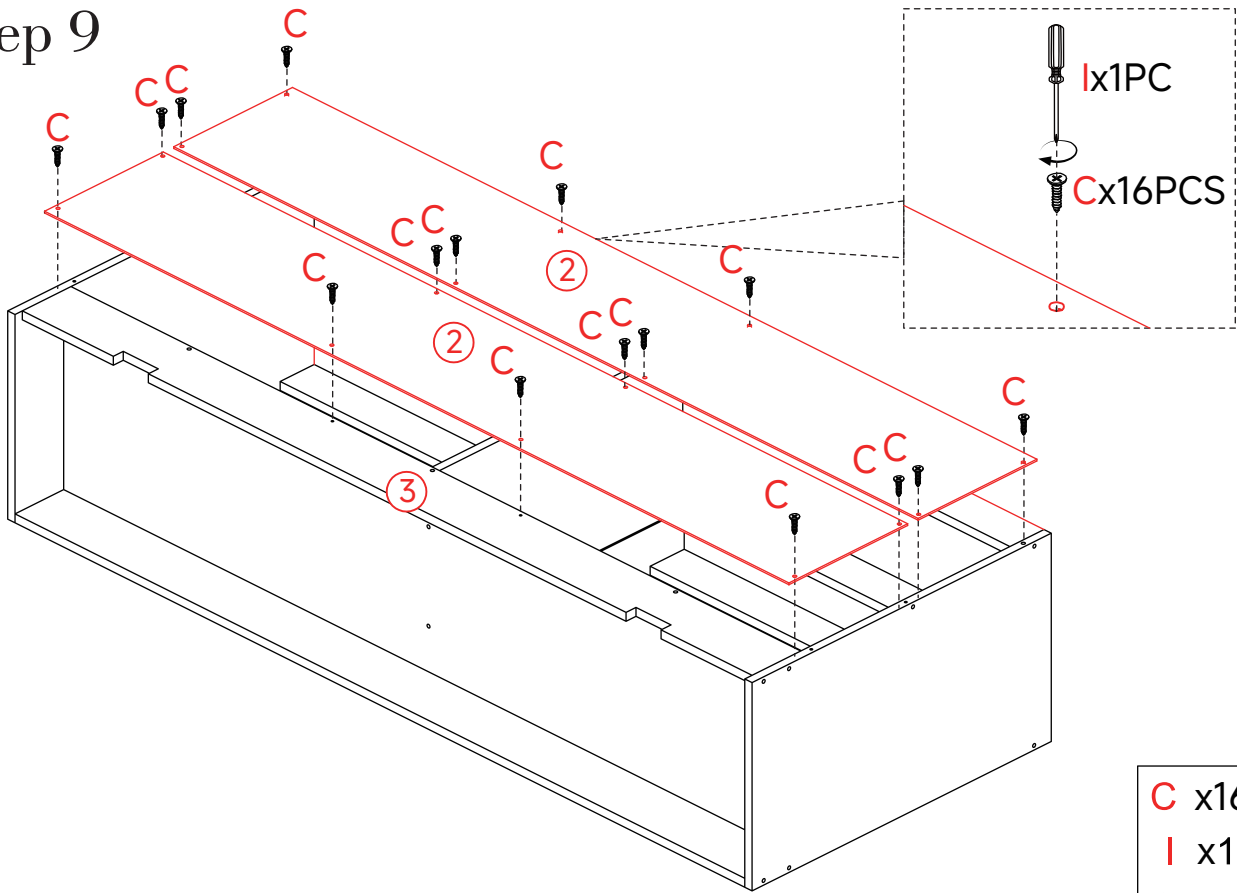
Step 7



Step 8

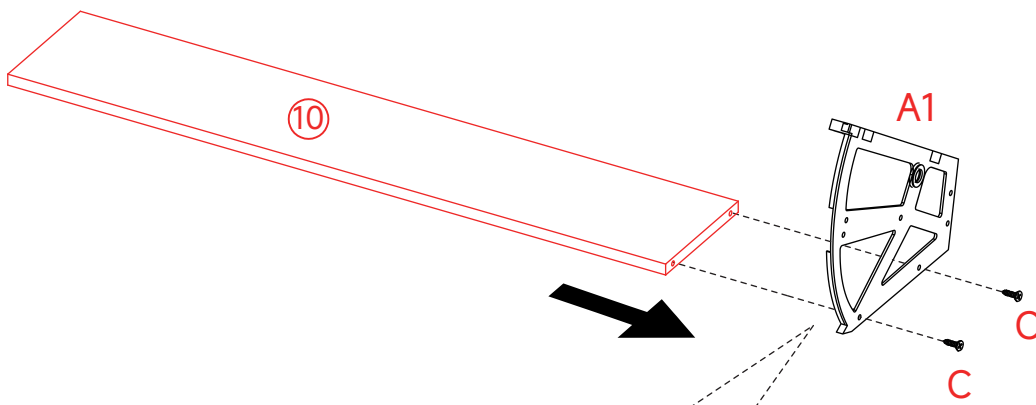


Step 9

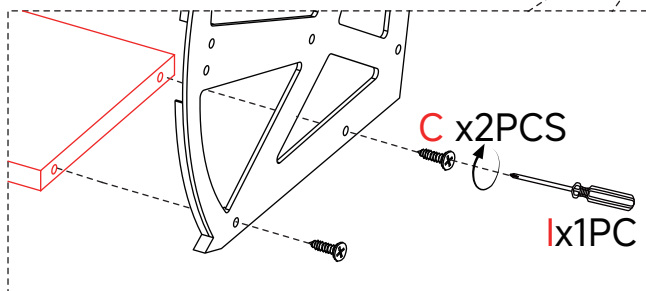


- C x16PCS
- I x1PC
- ② x2PCS

Step 10

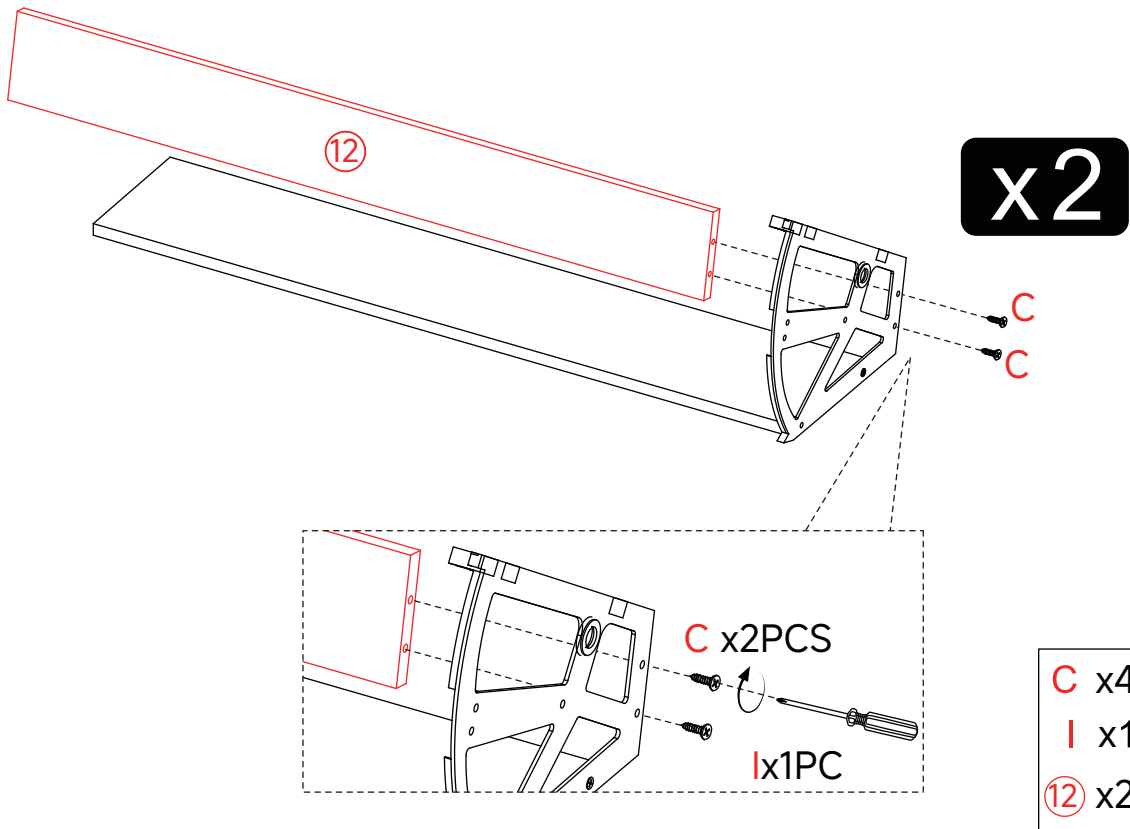


x2

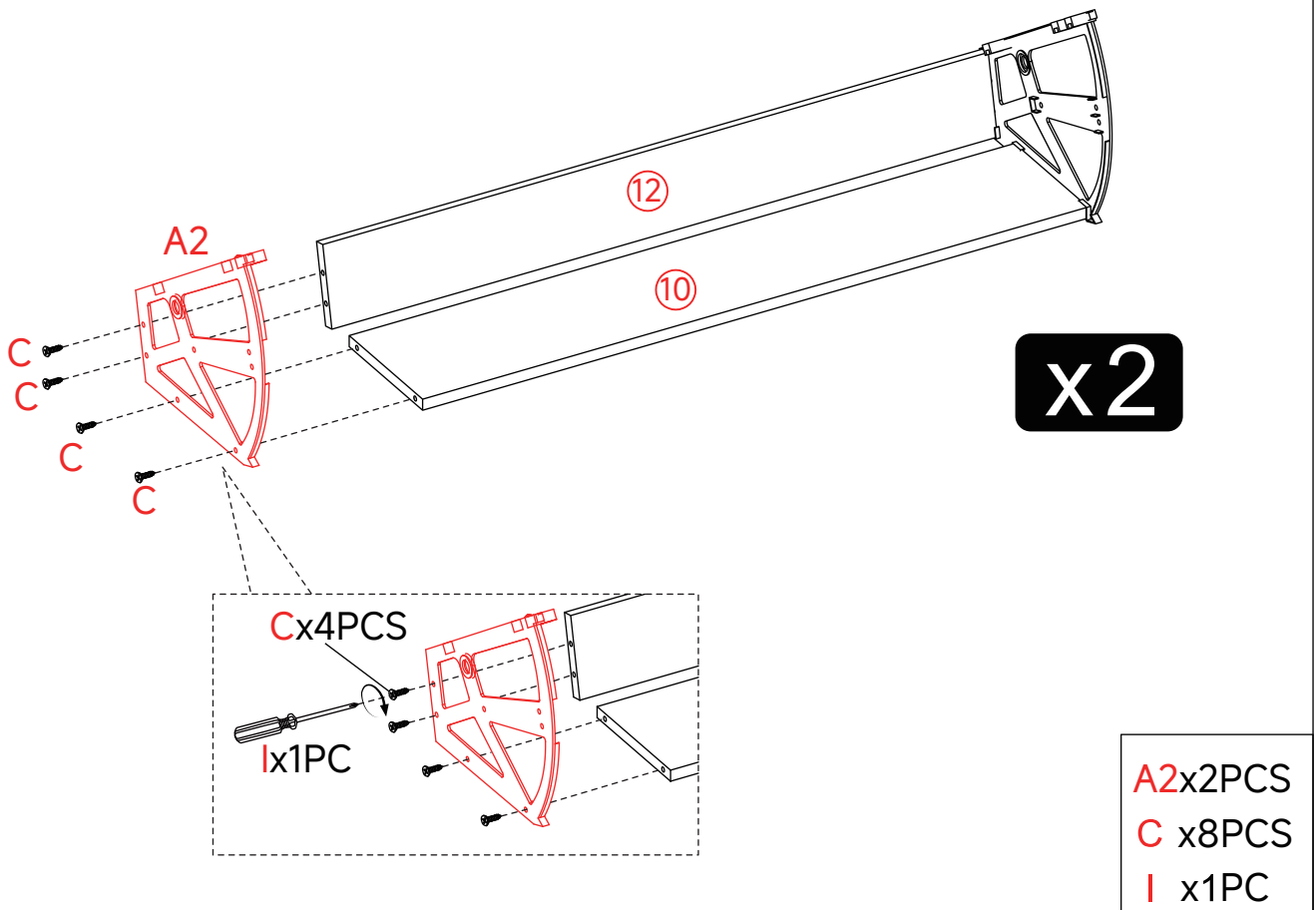


- A1 x2PCS
- C x4PCS
- I x1PC
- ⑩ x2PCS

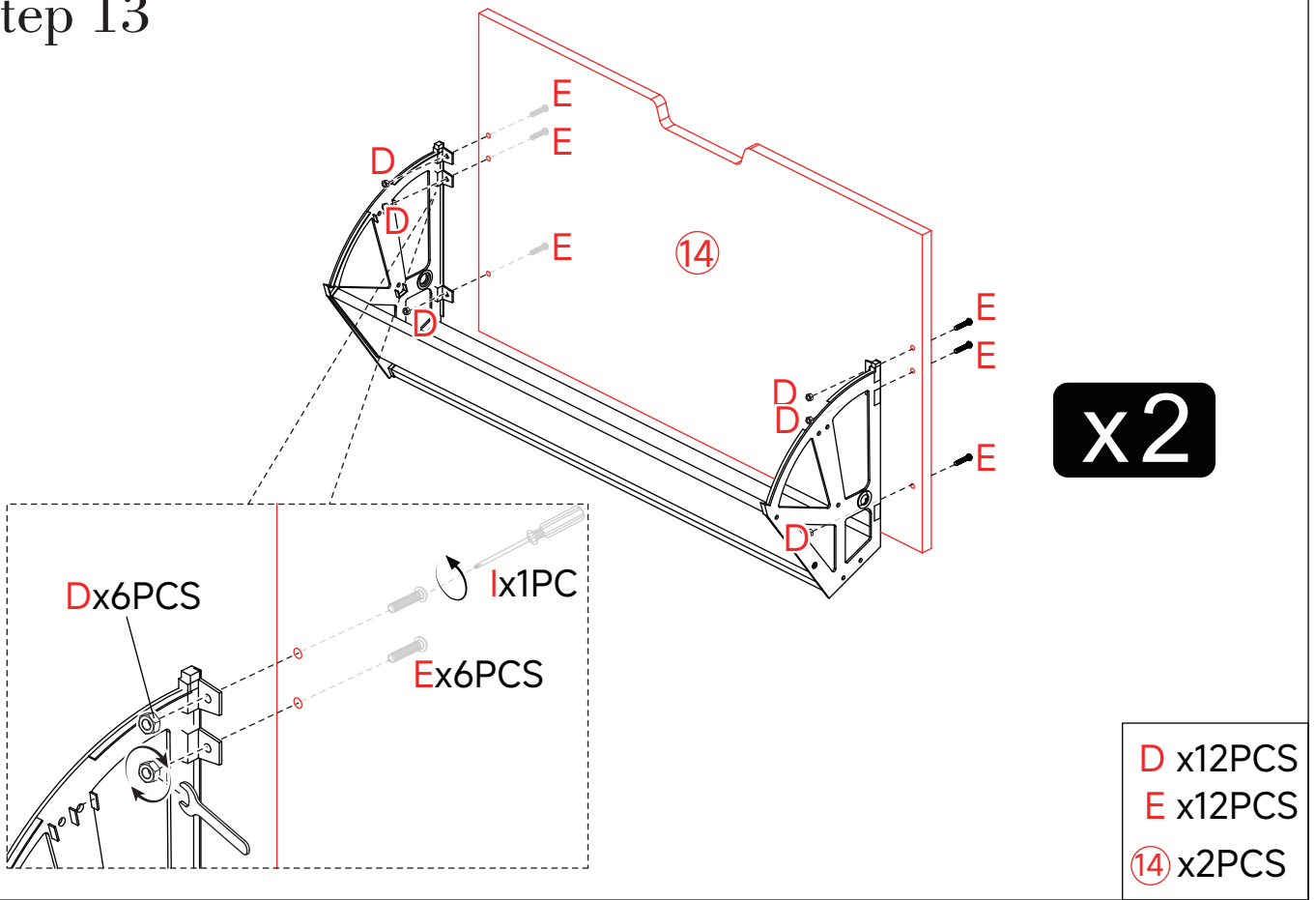
Step 11



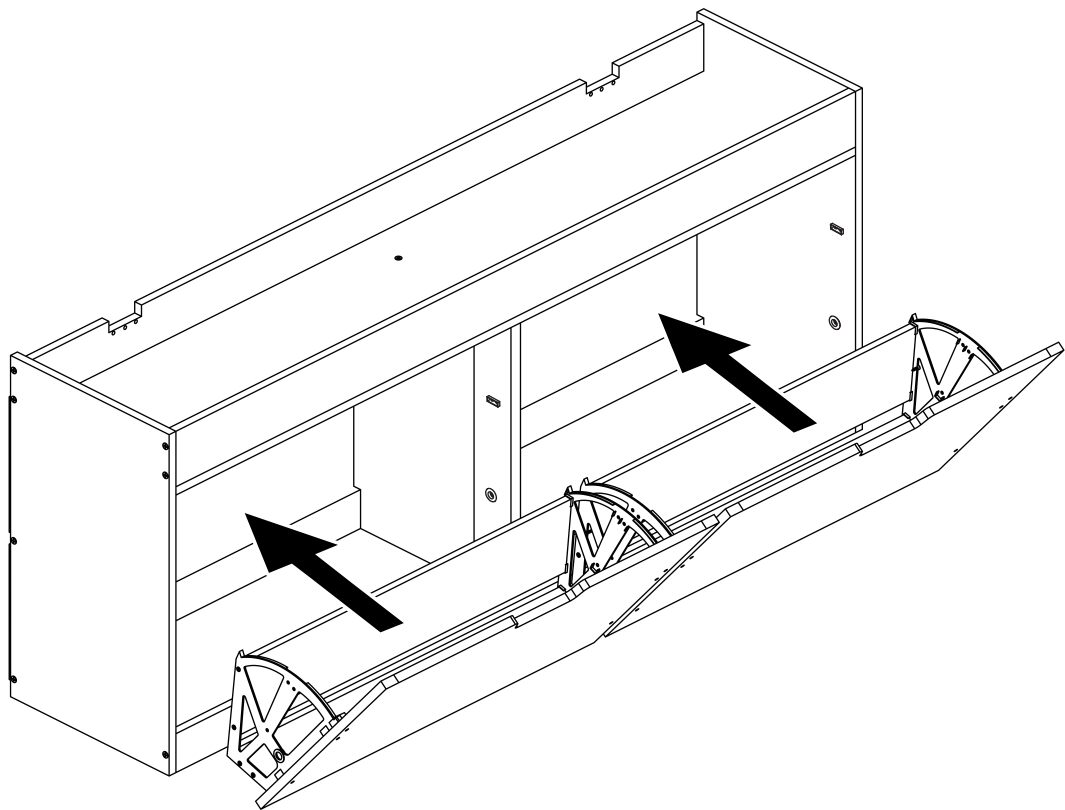
Step 12



Step 13

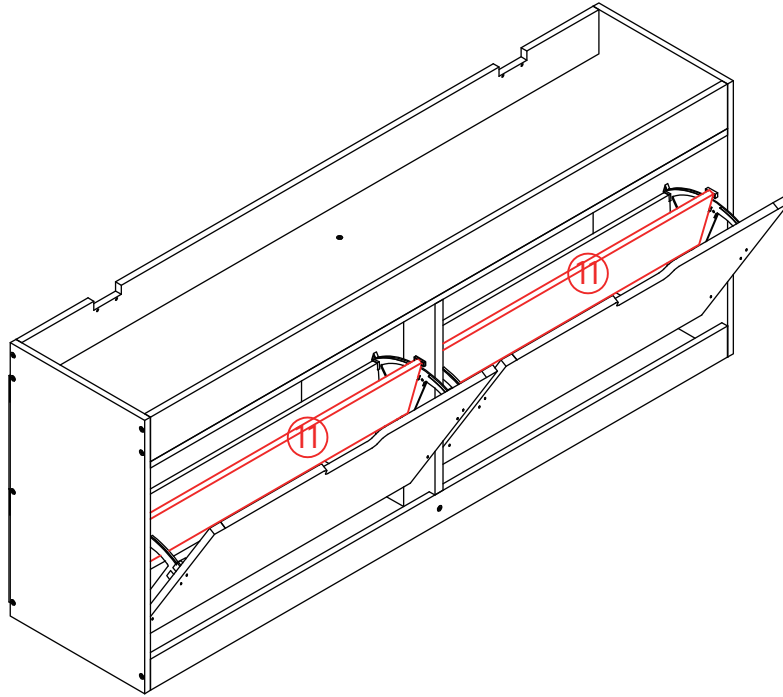


Step 14



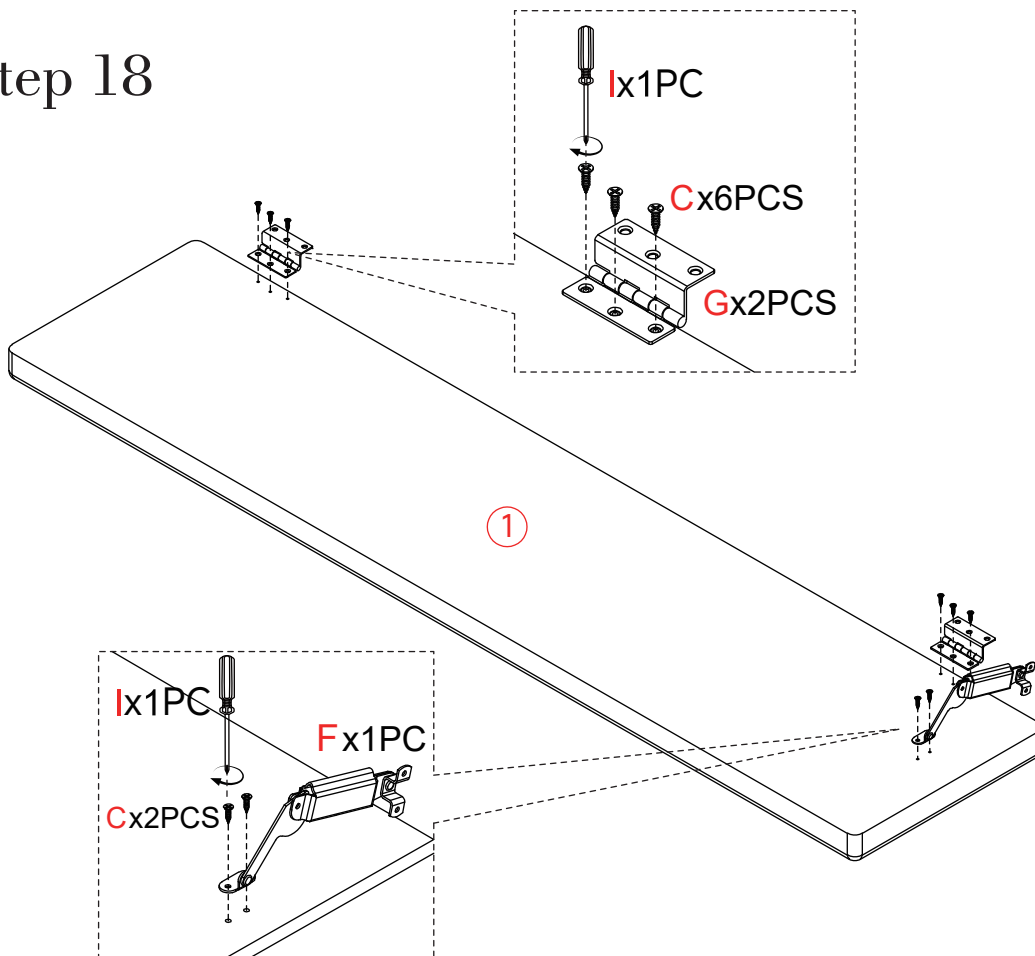
Put in drawer

Step 17



If the big shoes cannot be put in, remove the 11th board

Step 18



I x1PC

C x6PCS

G x2PCS

1

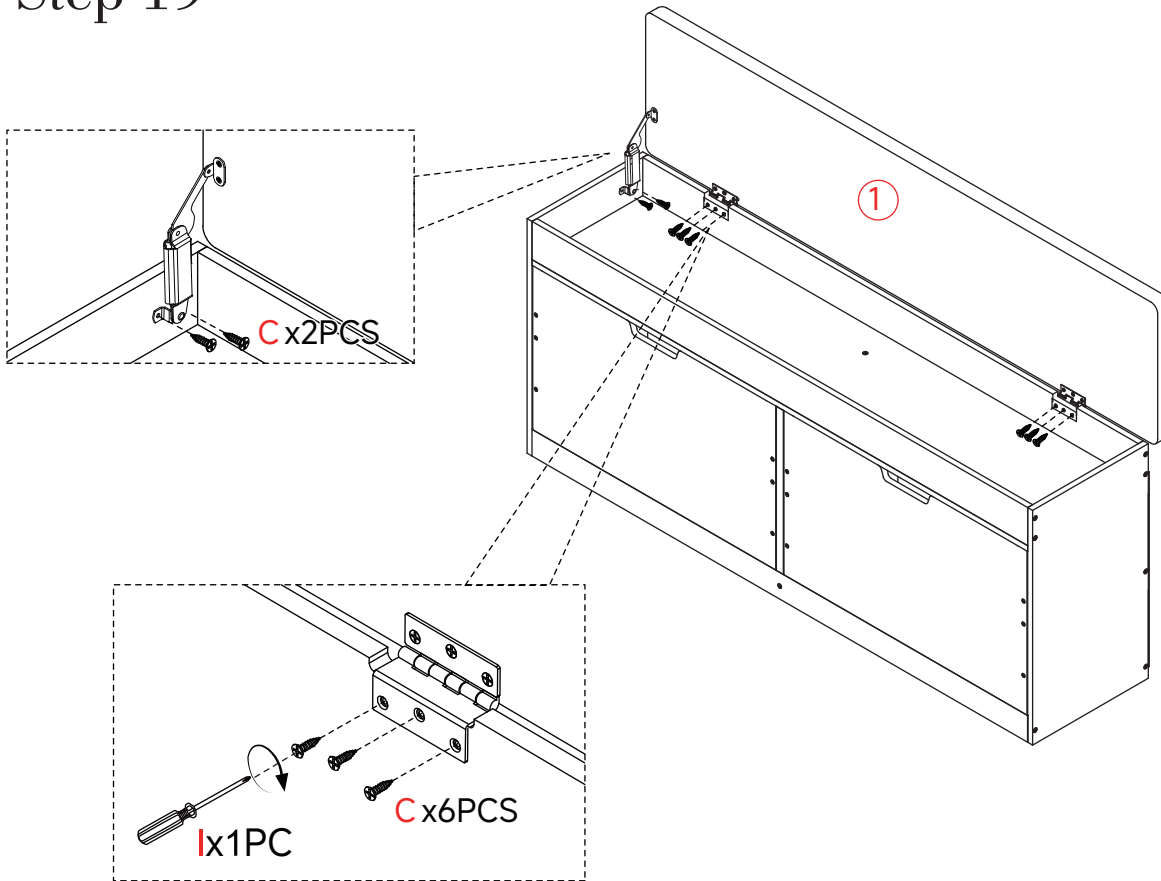
I x1PC

F x1PC

C x2PCS

- C x8PCS
- F x1PC
- G x2PCS
- I x1PC

Step 19



- C x8PCS
- I x1PC
- ① x1PC

Step 20

