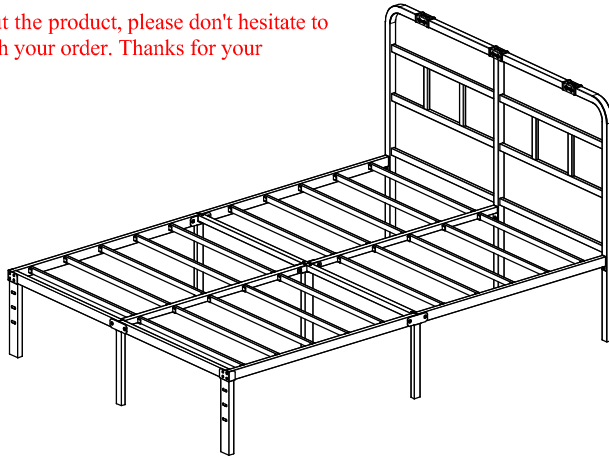


Platform Bed Set-up Instruction

SIZE: Full | Queen | King | Cal King

If you have any questions about the product, please don't hesitate to contact us. You can reach us through your order. Thanks for your support!



Component composition

Accessories List

- L*6Pcs (M6*40)
- I*13Pcs (M6*10)
- M*2pcs
- S*6Pcs (M8*40)
- T*5Pcs (M8*35)
- U1*6pcs (M6 NUT)
- U2*4pcs (M8 NUT)
- R*4Pcs (M8*20)
- K1*4Pcs (M8*33)

Headboard List

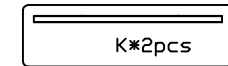
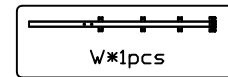
- N*2pcs
- J*2pcs
- K*2pcs
- C*1pcs
- W*1pcs
- D*1pcs

BedBodyList

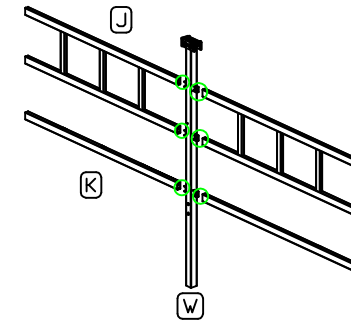
- E*2pcs
- A*1pcs
- B*1pcs
- F*1pcs
- G*1pcs
- Q*2pcs
- H*20pcs

Step 1-1

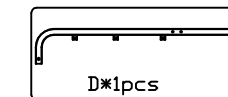
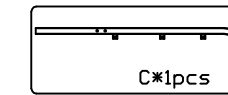
(Assemble the headboard)



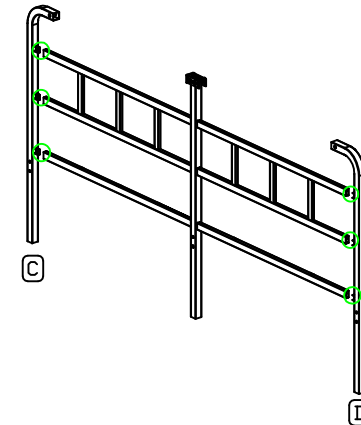
Step1-1: need 1*6pcs (M6*10)



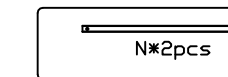
Step 1-2



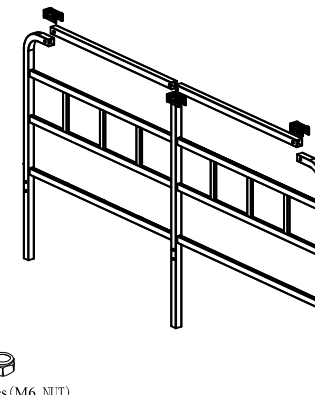
Step1-2: need 1*6pcs (M6*10)



Step 1-3



Step1-3: need S*6Pcs (M8*40) U1*6pcs (M6 NUT)

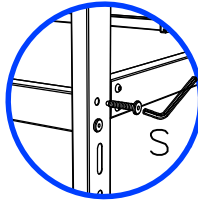
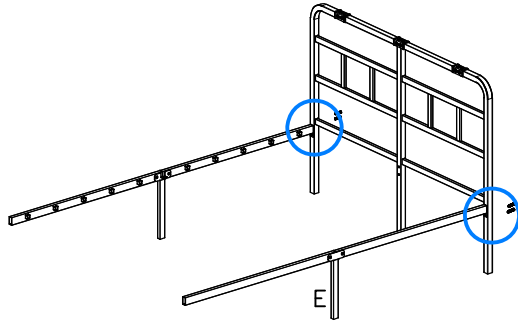


Please do not tighten the screws on headboard until you finish all of assembly to bed frame, which will be helpful for your assembly

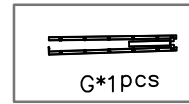
Step 2



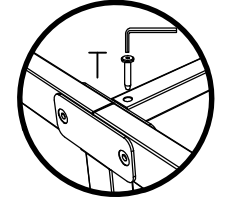
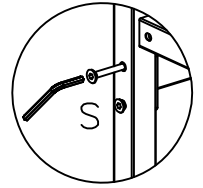
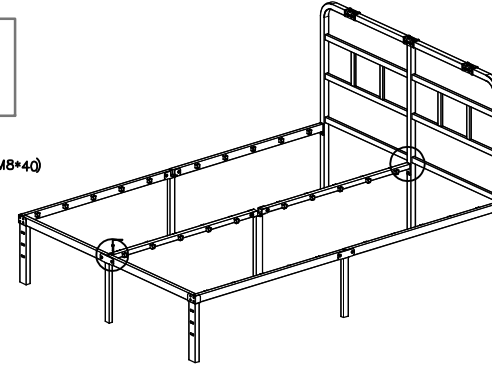
Step2:need S*4pcs(M8*40)



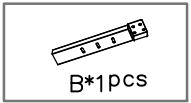
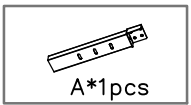
Step 5



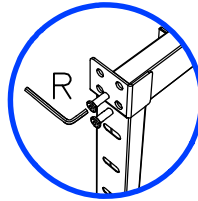
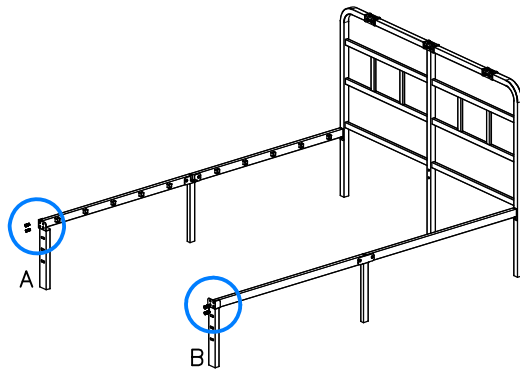
Step5: need S*2pcs (M8*40)
T*2Pcs(M8*35)



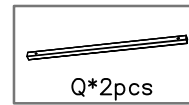
Step 3



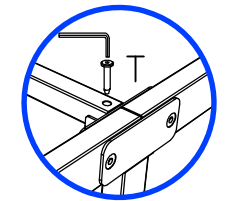
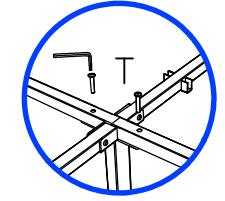
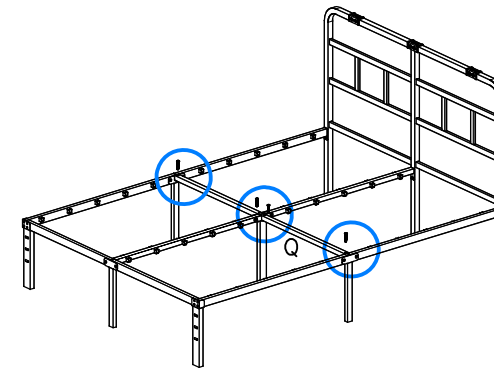
Step3:need R*4pcs (M8*20)



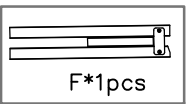
Step 6



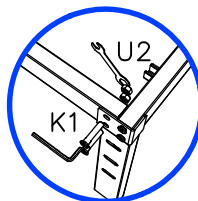
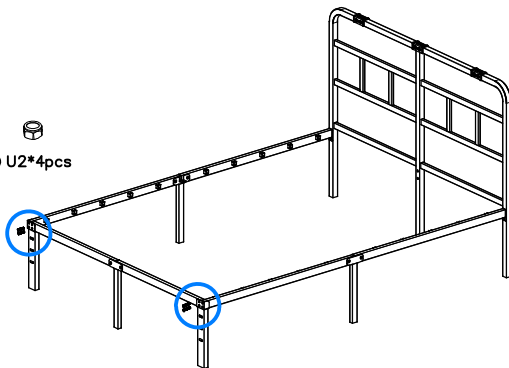
Step6:need T*4pcs (M8*35)



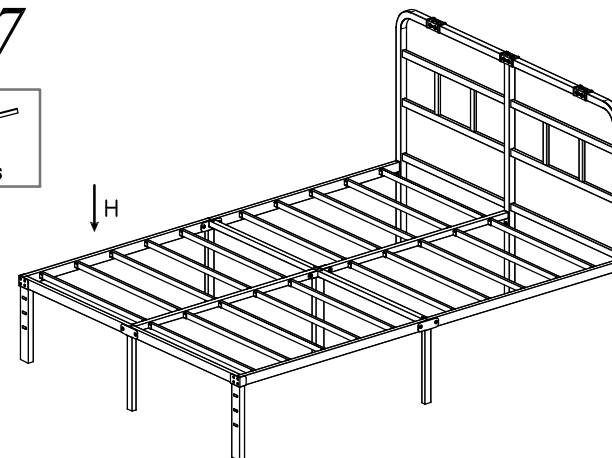
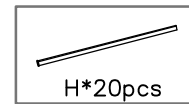
Step 4



Step4: need K1*4pcs(M8*33) U2*4pcs



Step 7



Finally, please tighten all screws to prevent noise.