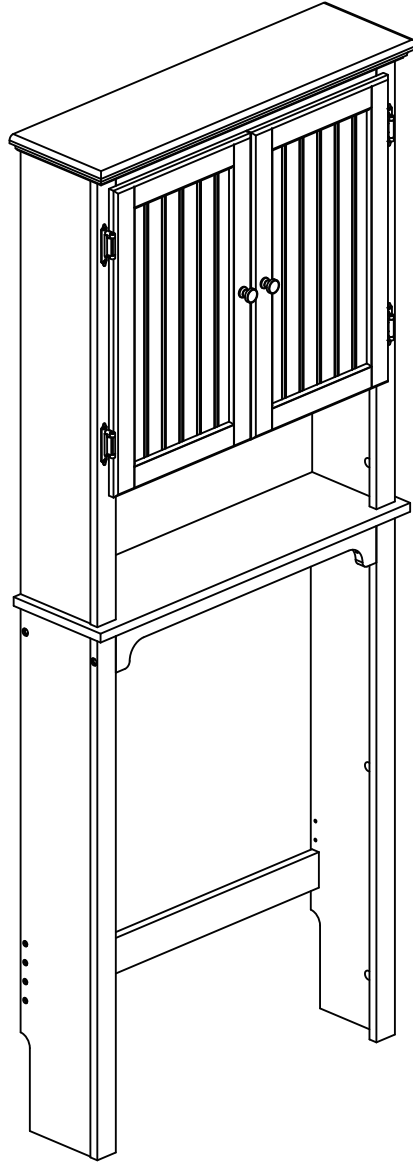


Assembly Instruction

Over the Toilet Space Saver



THIS INSTRUCTION BOOKLET CONTAINS **IMPORTANT** SAFETY INFORMATION. PLEASE READ AND KEEP FOR FUTURE REFERENCE.



WARNING

- Unit can tip over causing severe injury or death.
- Anchor unit to stud in wall(if instructed to).
- Do Not allow children to climb on unit.
- Put heavy items on lower shelves or drawers.
- Keep any packaging materials away from children
- these materials are a potential source of danger,e.g.suffocation.

Do Not Return This Product!

Please check contents before assembly.If any item are missing or damaged,do not take the unit back to the store.

IMPORTANT SAFEGUARDS



Read these instructions carefully and retain them for future use. If this product is passed to a third party, then these instructions must be included.

When using the product, basic safety precautions should always be followed to reduce the risk of injury including the following:

WARNING

**SERIOUS OR FATAL INJURIES CAN OCCUR FROM FURNITURE TIP-OVER.
TO HELP PREVENT TIP-OVER:**

- Please read instructions completely before assembling. Assemble on a soft, smooth area. Adult assembly required.
- **Important:**when drilling into walls always check that there are no hidden wires or pipes etc.
- Make sure that the screw and wall plugs used are suitable for supporting your unit. Consult a qualified professional if you are unsure.
- Failure of the product due to the use of incorrect fixing is the responsibility of the installer.
- Always use tip over restraints and/or wall anchors to secure furniture to the wall.
- Place heaviest items in the lowest drawers/bins or shelves.
- Do not set TV's or other heavy objects on the top of this product.
- Never allow children to climb or hang on to the drawers/bins, doors or shelves of furniture.
- Never open more than one drawer at a time or defeat or remove any drawer interlock system.

DANGER

CHOKING HAZARD – SMALL PARTS

Please make sure installation parts stay away from children of all ages!

Cleaning and Maintenance

- Treat surface with care. Surface is resistant to scratches but is not scratch resistant.
- Clean surfaces with a dry or damp soft cloth.
- Do not use abrasive cleaners.
- Hardware may loosen over time. Periodically check that all connections are right.

Maximum recommended distributed load

This unit has been designed to support the maximum loads shown.

Exceeding these load limits could cause sagging, instability, product collapse, and/or serious injury.

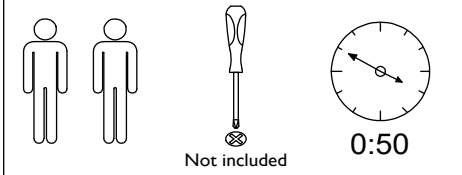
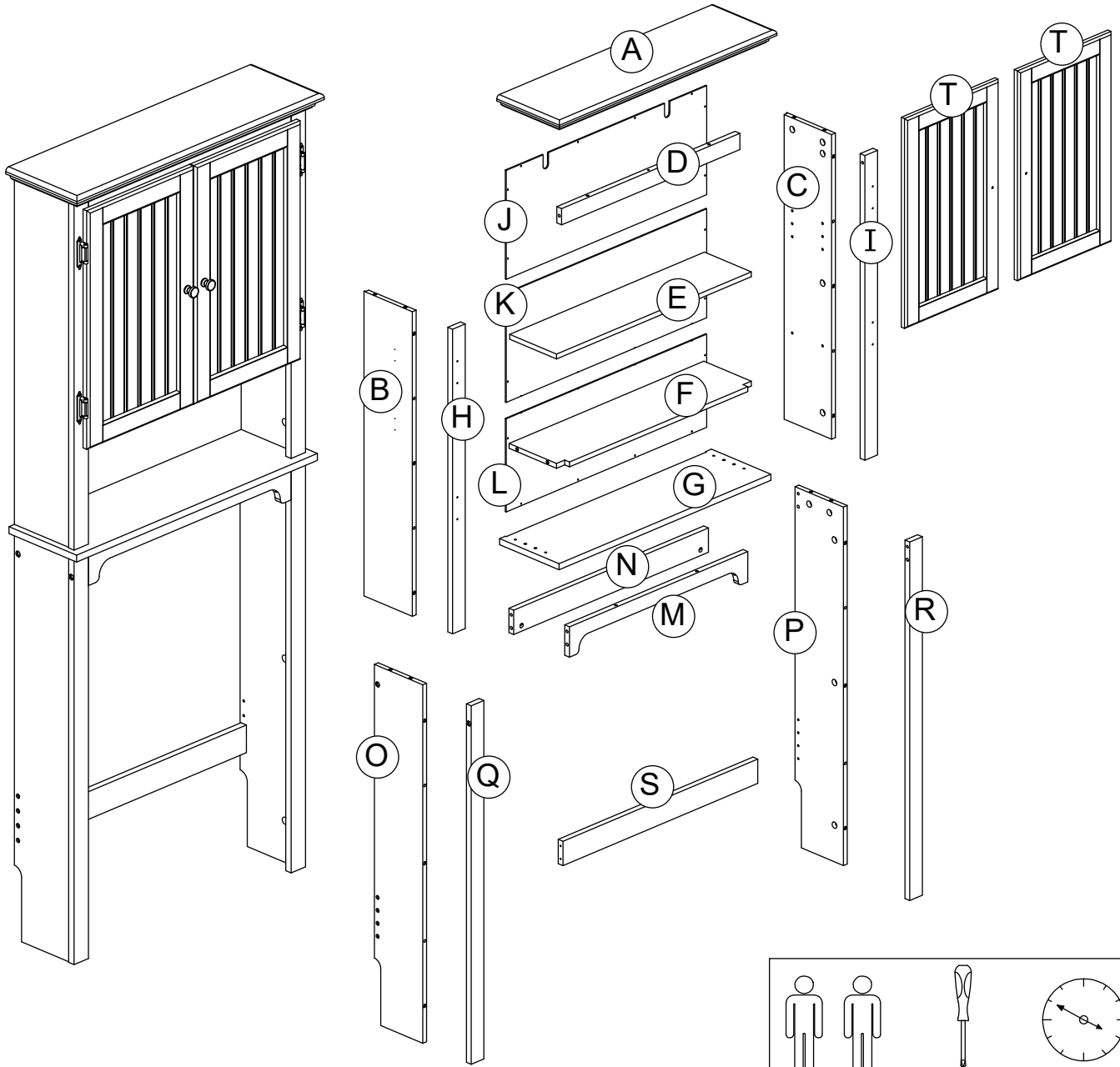
| Top shelf: 10 lbs (4.55 kg)

| Other shelves: 25 lbs (11.36 kg)

PARTS LIST

Contents:

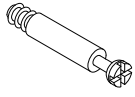
Before getting started, ensure the package contains the following components:



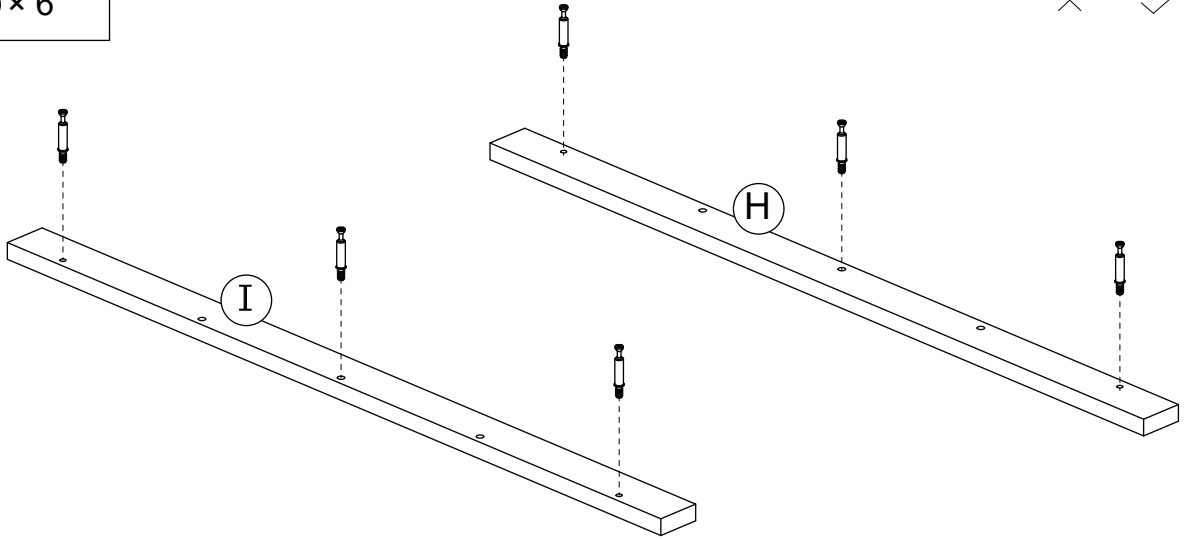
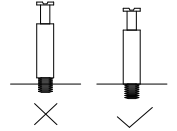
		 Ø6x30mm			 M4x18mm	
① 24pcs	② 24pcs	③ 22pcs	④ 4pcs	⑤ 2pcs	⑥ 2pcs	⑦ 4pcs
 Ø4x12mm	 Ø2.5x10mm	 Ø4x12mm	 Ø4x35mm	 Ø4x45mm		
⑧ 20pcs	⑨ 24pcs	⑩ 2pcs	⑪ 10pcs	⑫ 1pc	⑬ 1pc	⑭ 2pcs
 M6x45mm	 M6x70mm					
⑮ 2pcs	⑯ 2pcs	⑰ 4pcs	⑱ 2pcs	⑲ 1pc	⑳ 2pcs	㉑ 4pcs

Assembly Instruction

1



① × 6



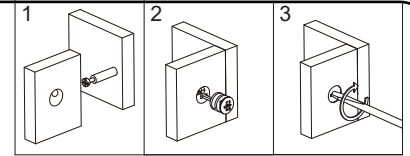
2



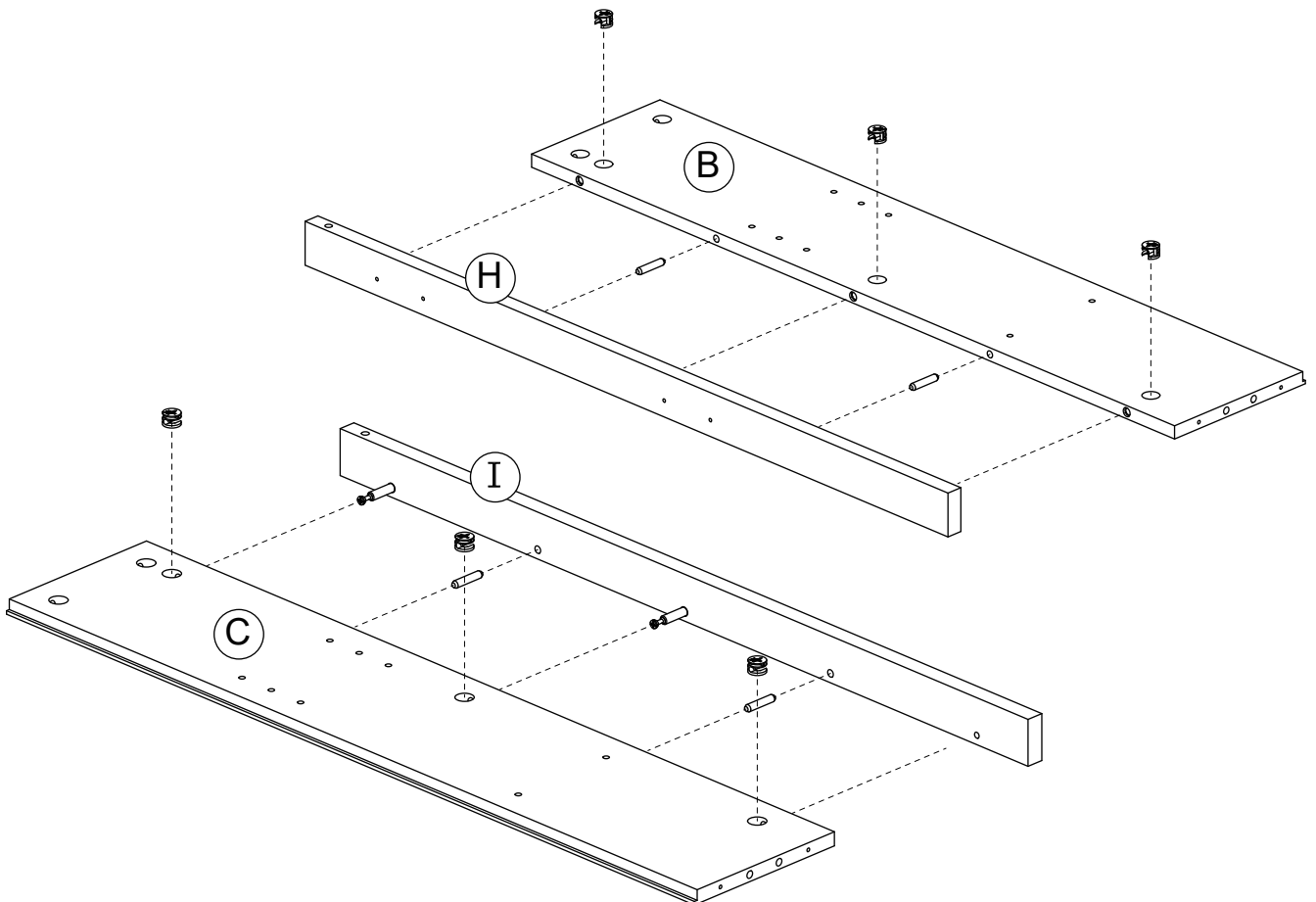
② × 6



③ × 4

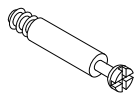


Cam Lock Fastening System

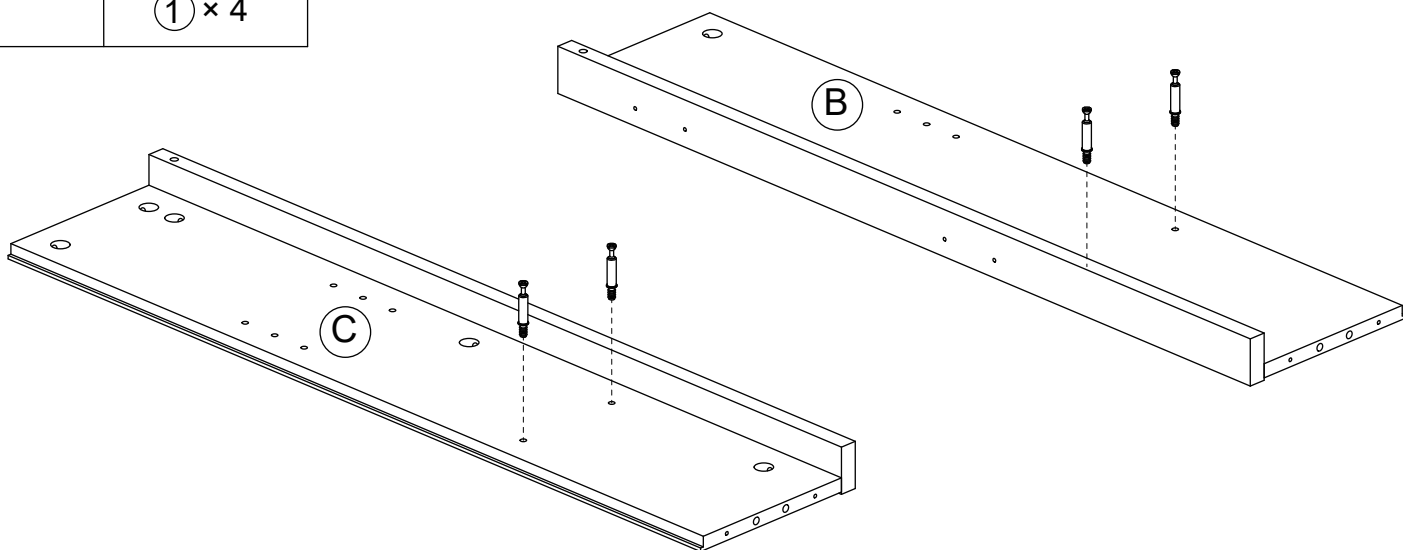
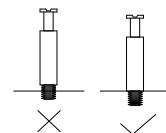


Assembly Instruction

3



① × 4



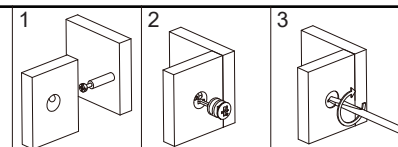
4



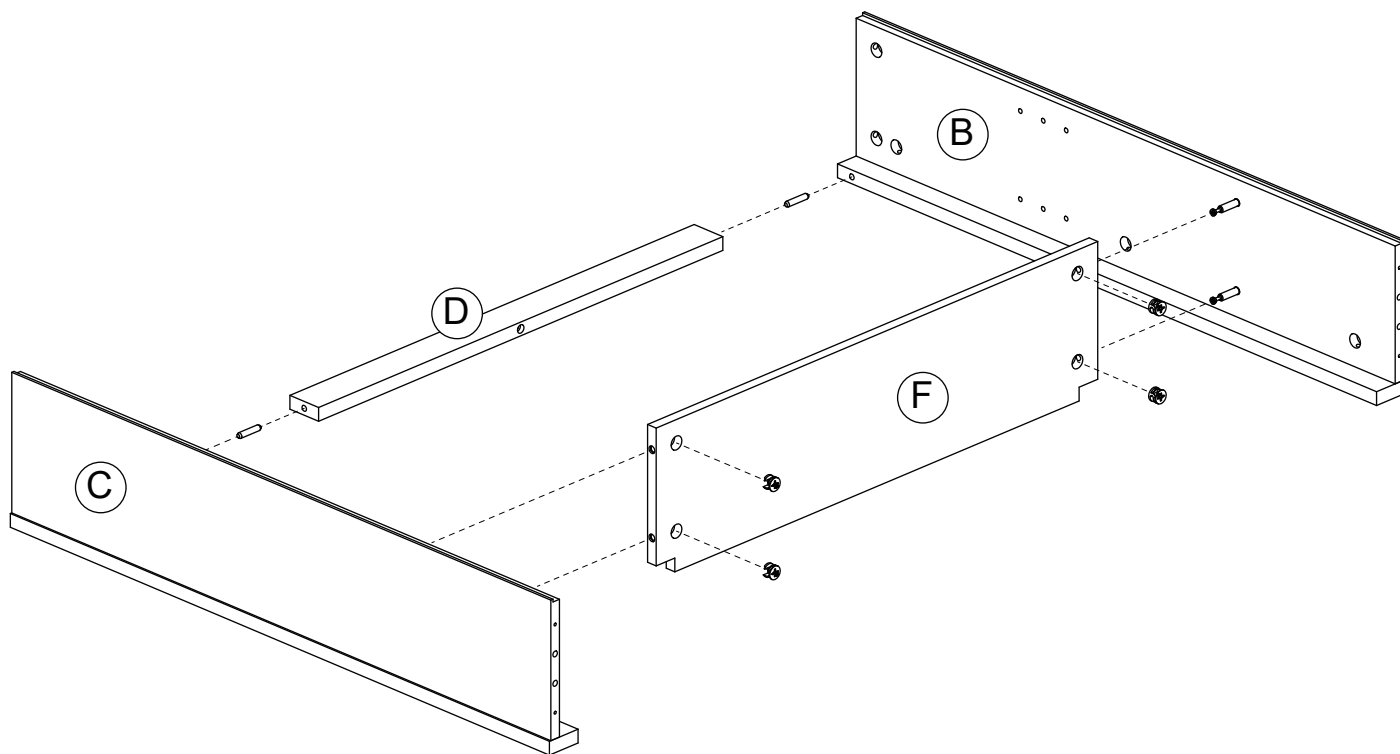
② × 4



③ × 2

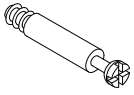


Cam Lock Fastening System



Assembly Instruction

5



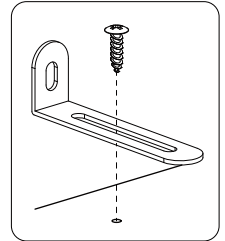
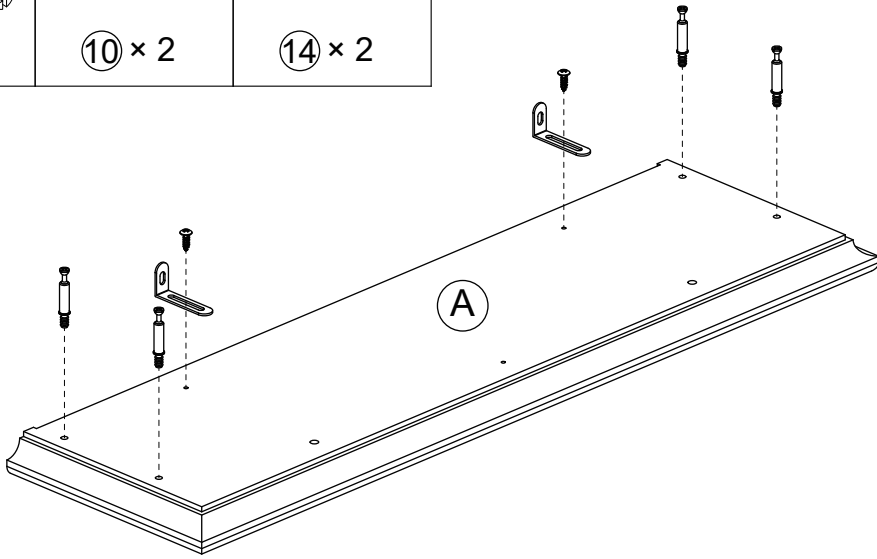
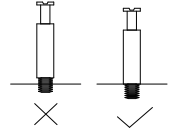
① × 4



⑩ × 2



⑭ × 2



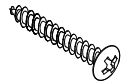
6



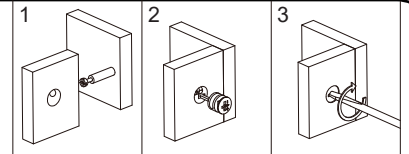
② × 4



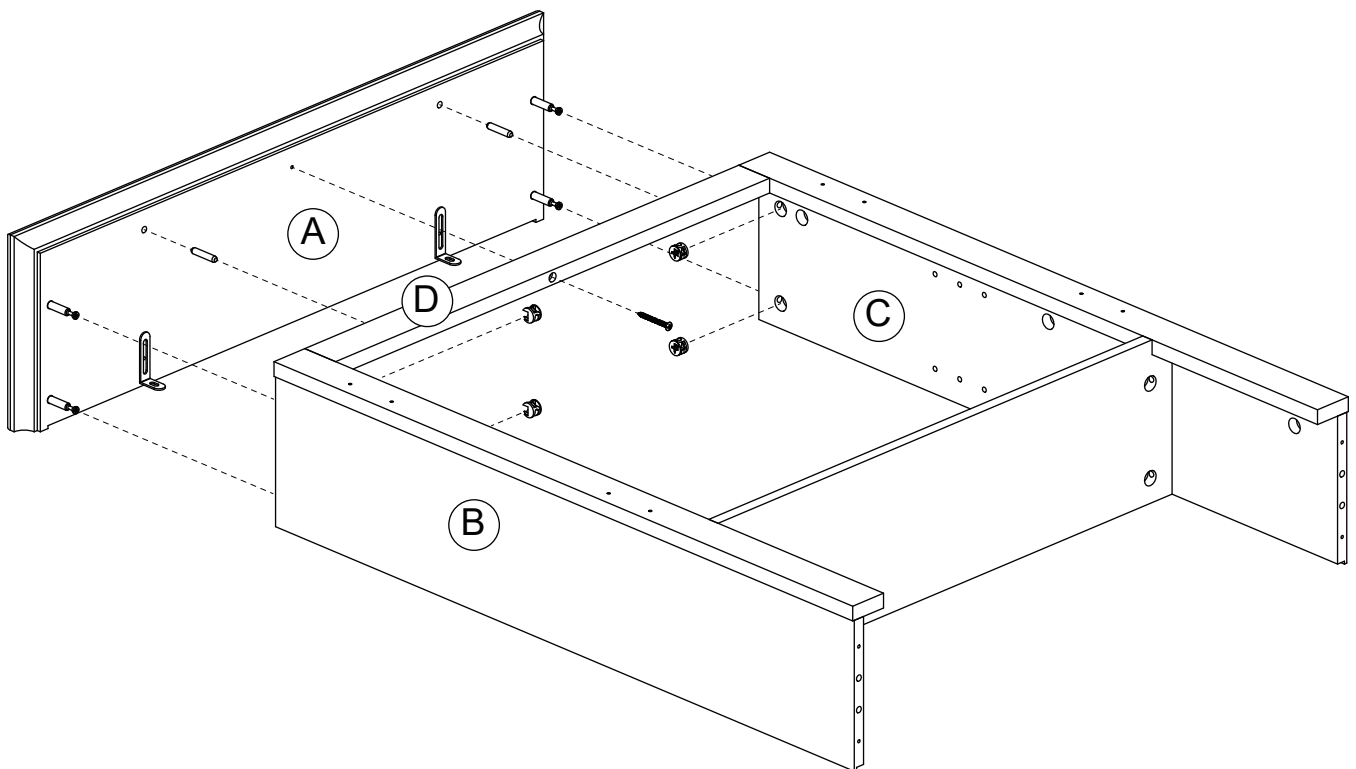
③ × 2



⑫ × 1

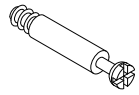


Cam Lock Fastening System

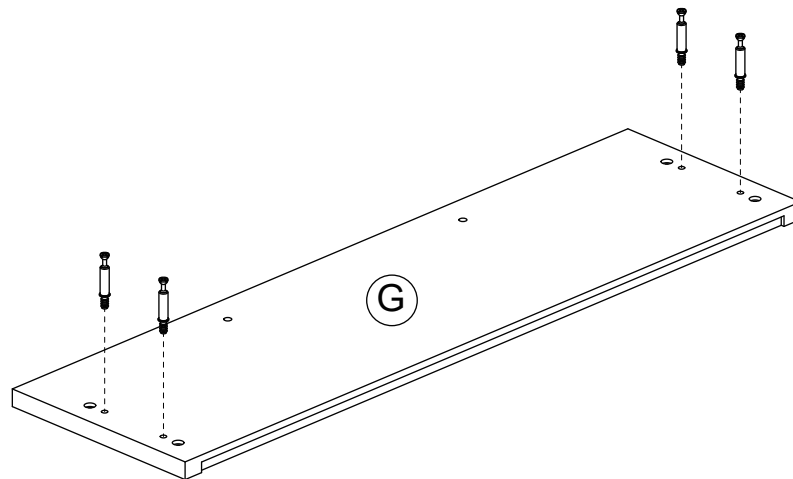


Assembly Instruction

7



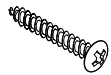
① × 4



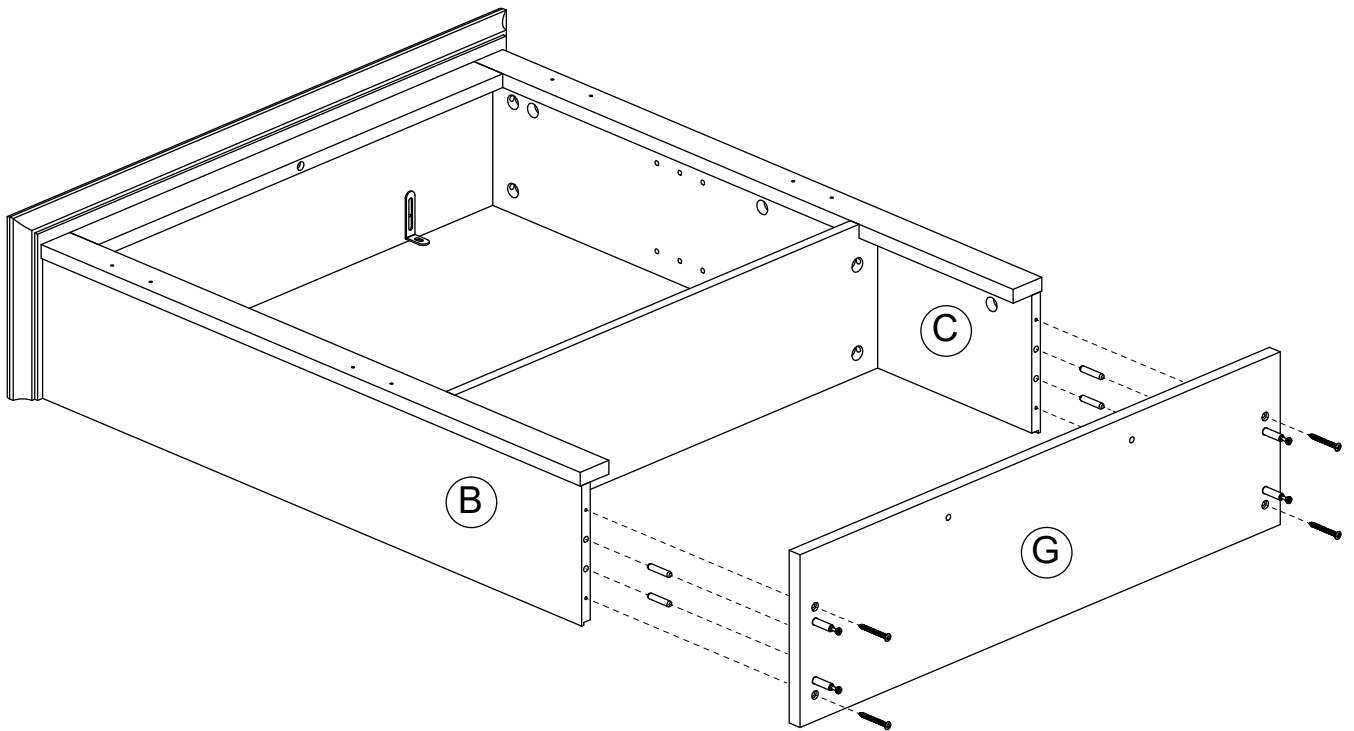
8



③ × 4

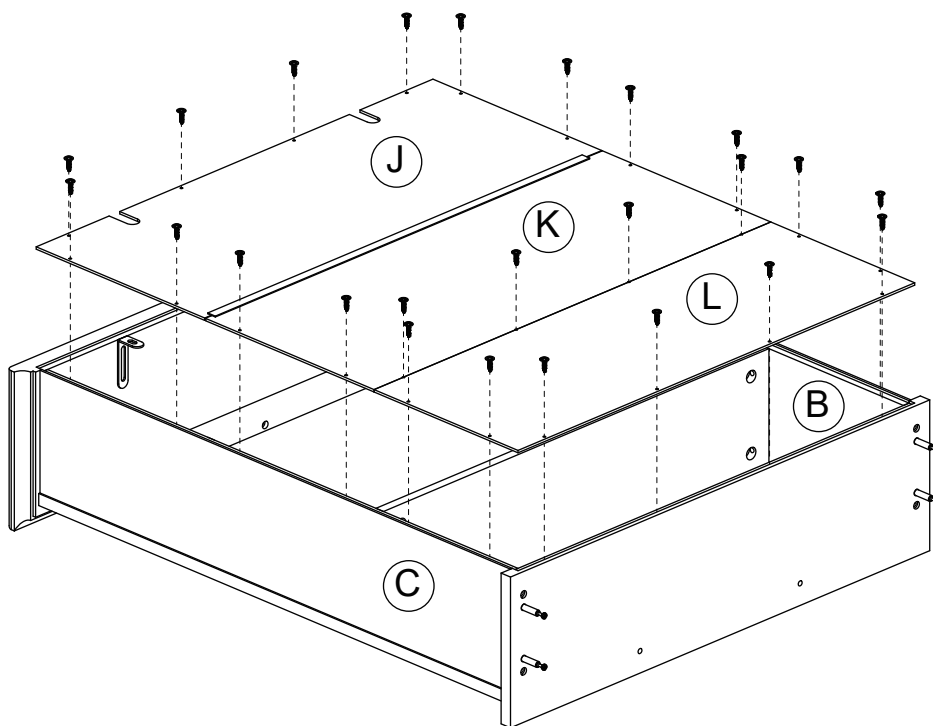
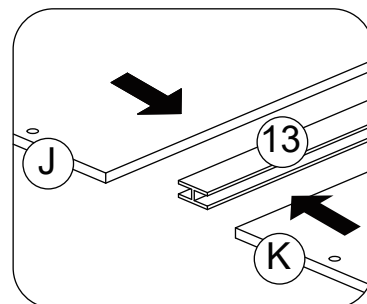
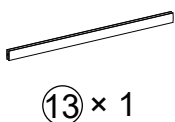


⑪ × 4

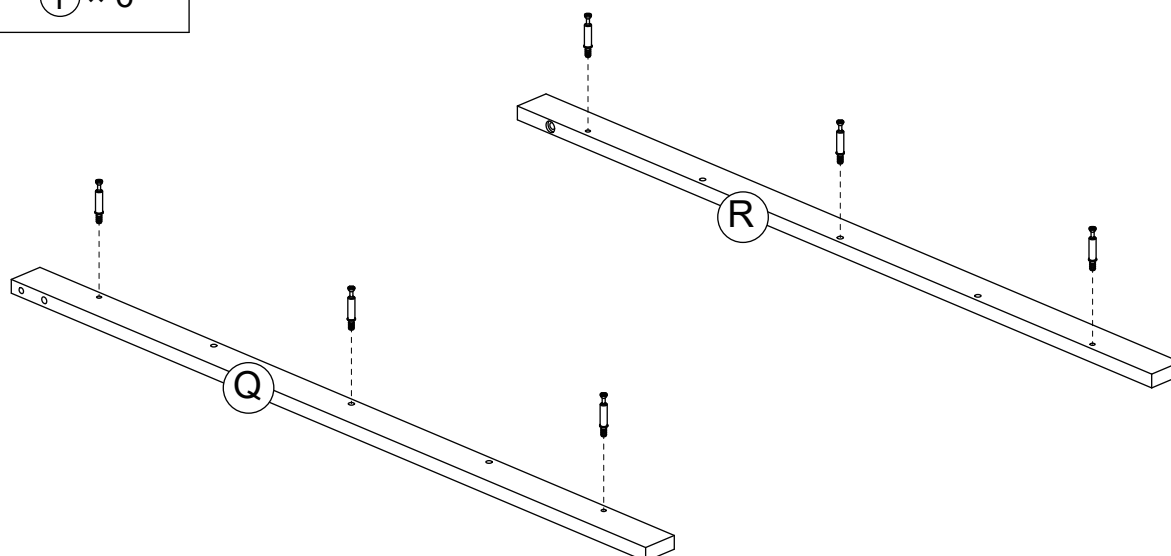
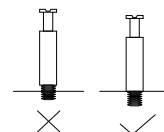
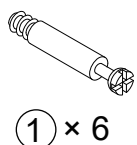


Assembly Instruction

9



10



Assembly Instruction

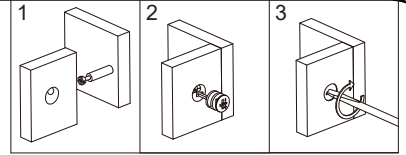
11



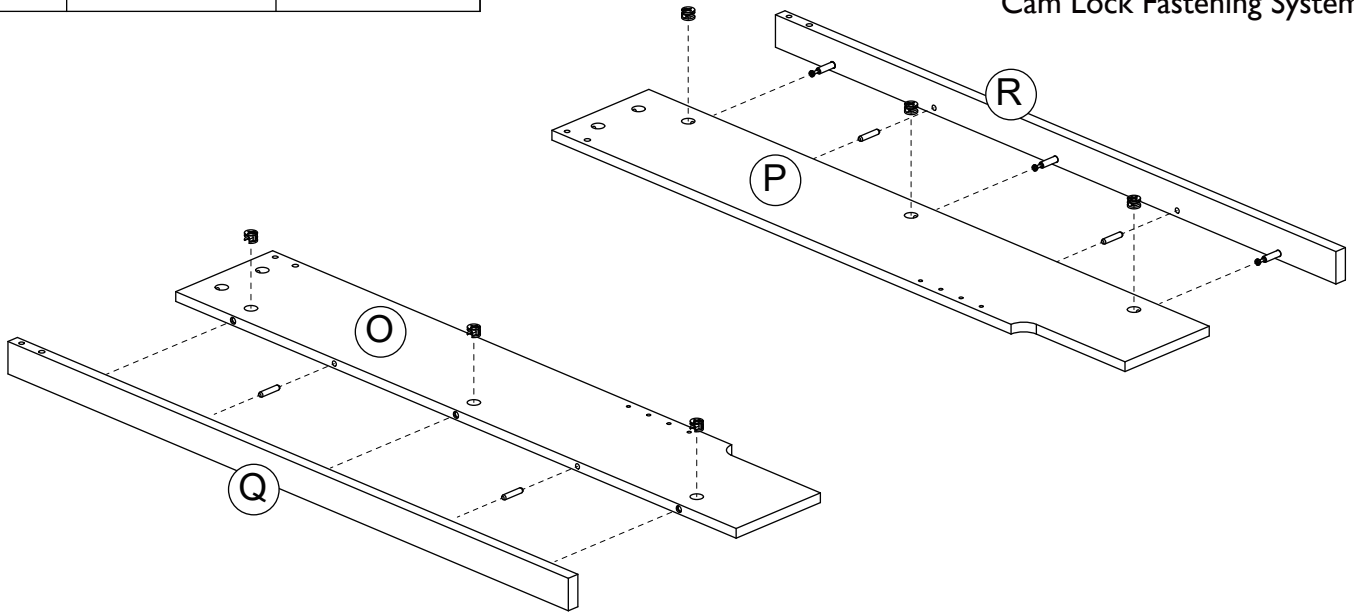
② × 6



③ × 4



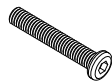
Cam Lock Fastening System



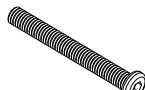
12



③ × 4



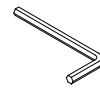
⑮ × 2



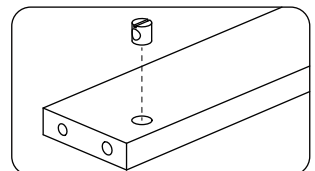
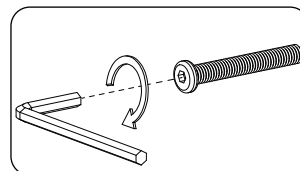
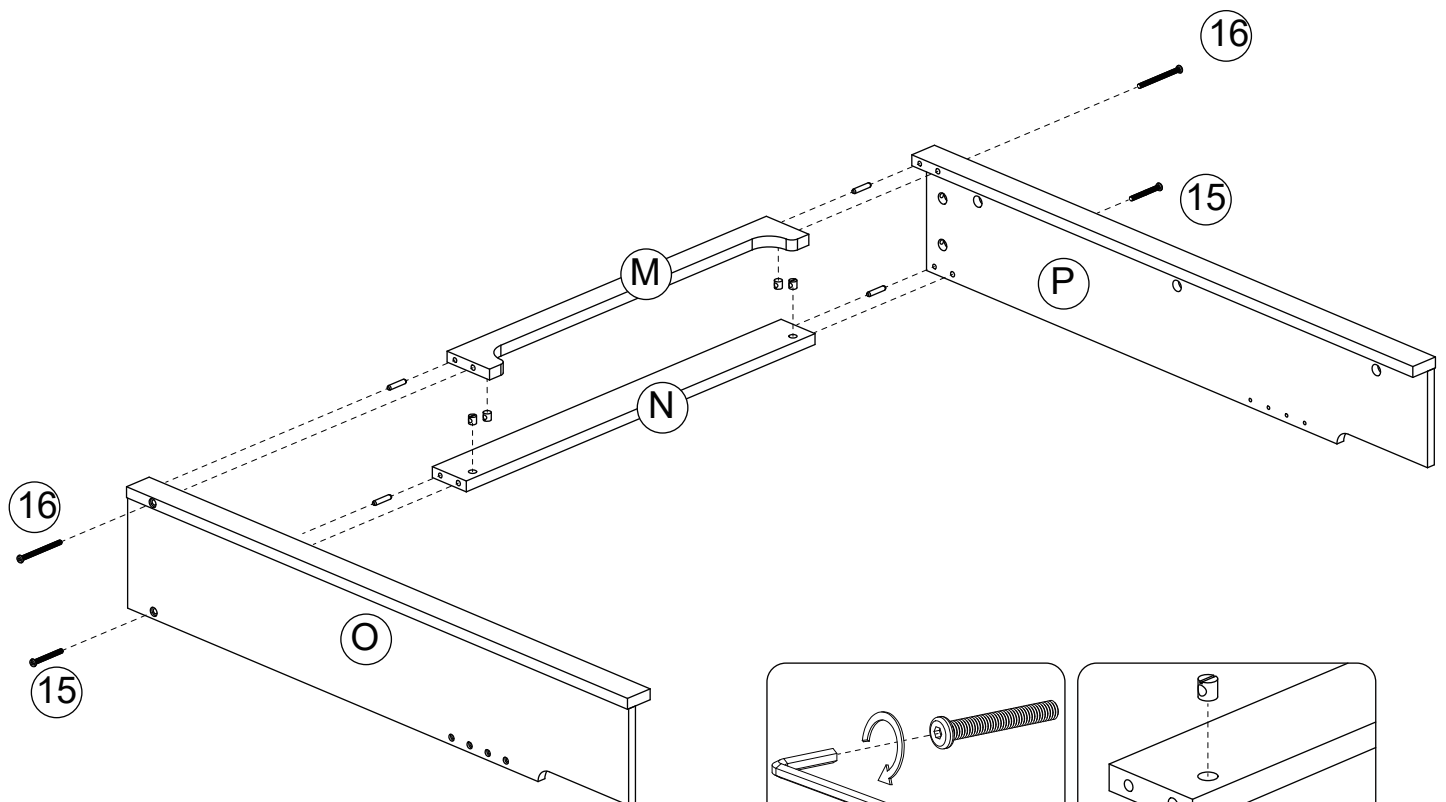
⑯ × 2



⑰ × 4



⑲ × 1



Proper orientation of Locking nut

Assembly Instruction

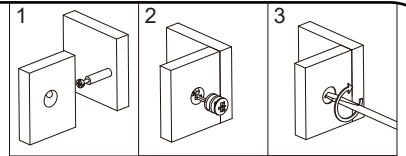
13



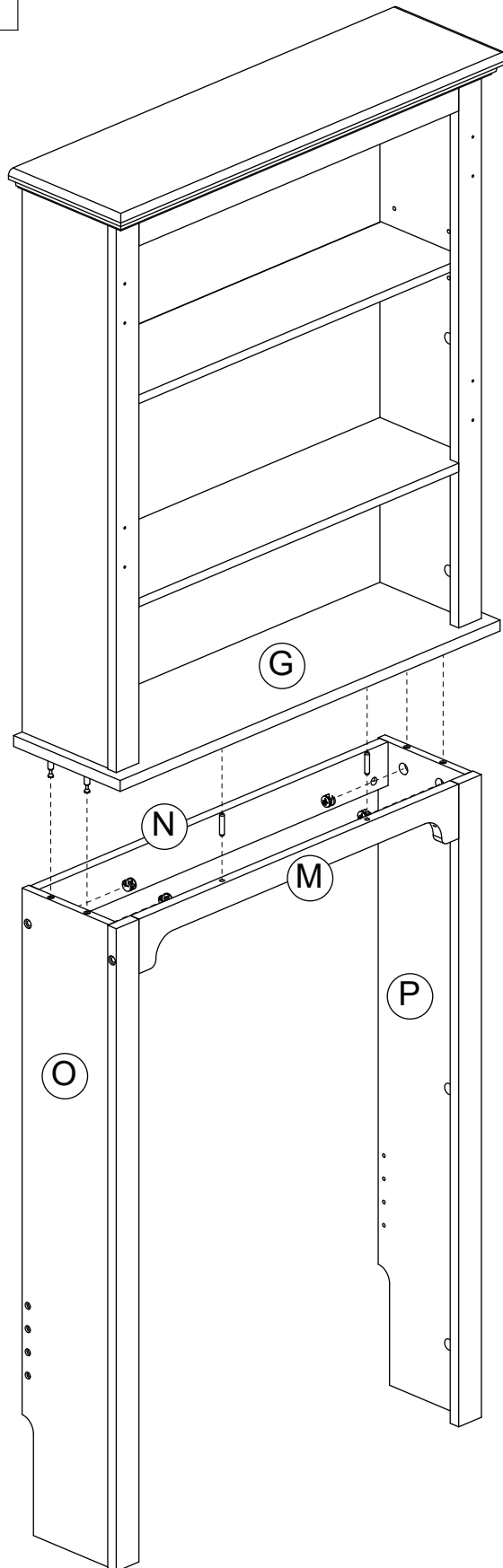
② × 4



③ × 2



Cam Lock Fastening System



Assembly Instruction

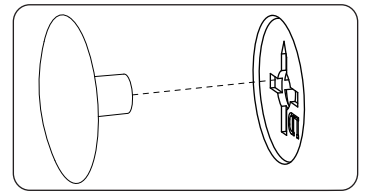
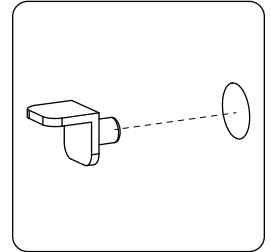
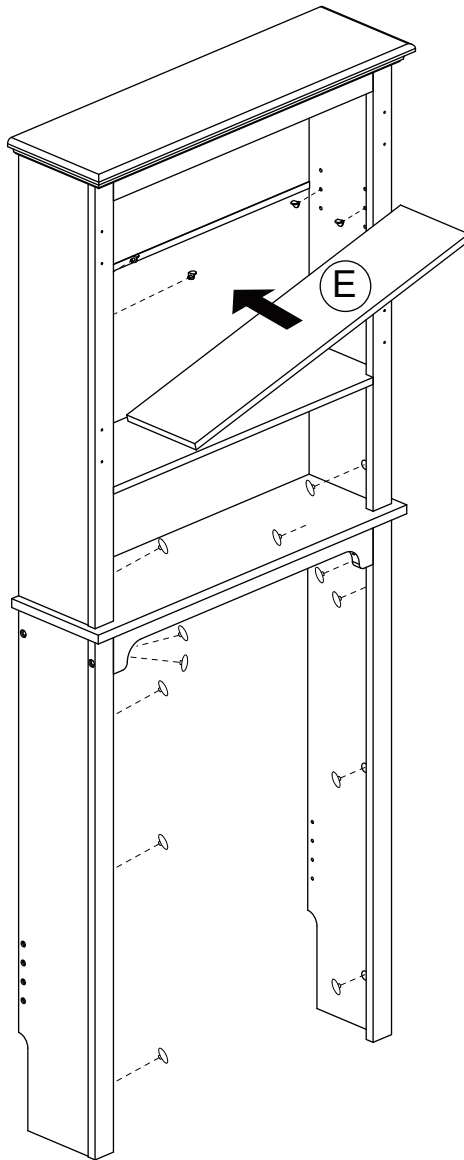
14



④ × 4



⑳ × 12



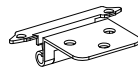
15



⑤ × 2



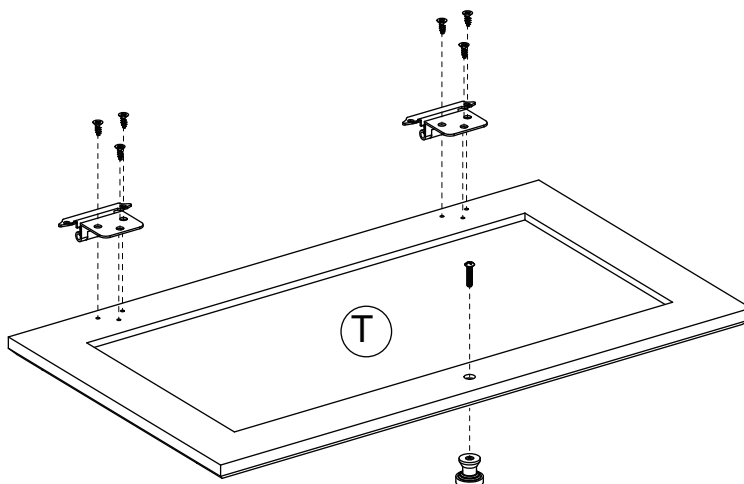
⑥ × 2



⑦ × 4



⑧ × 12

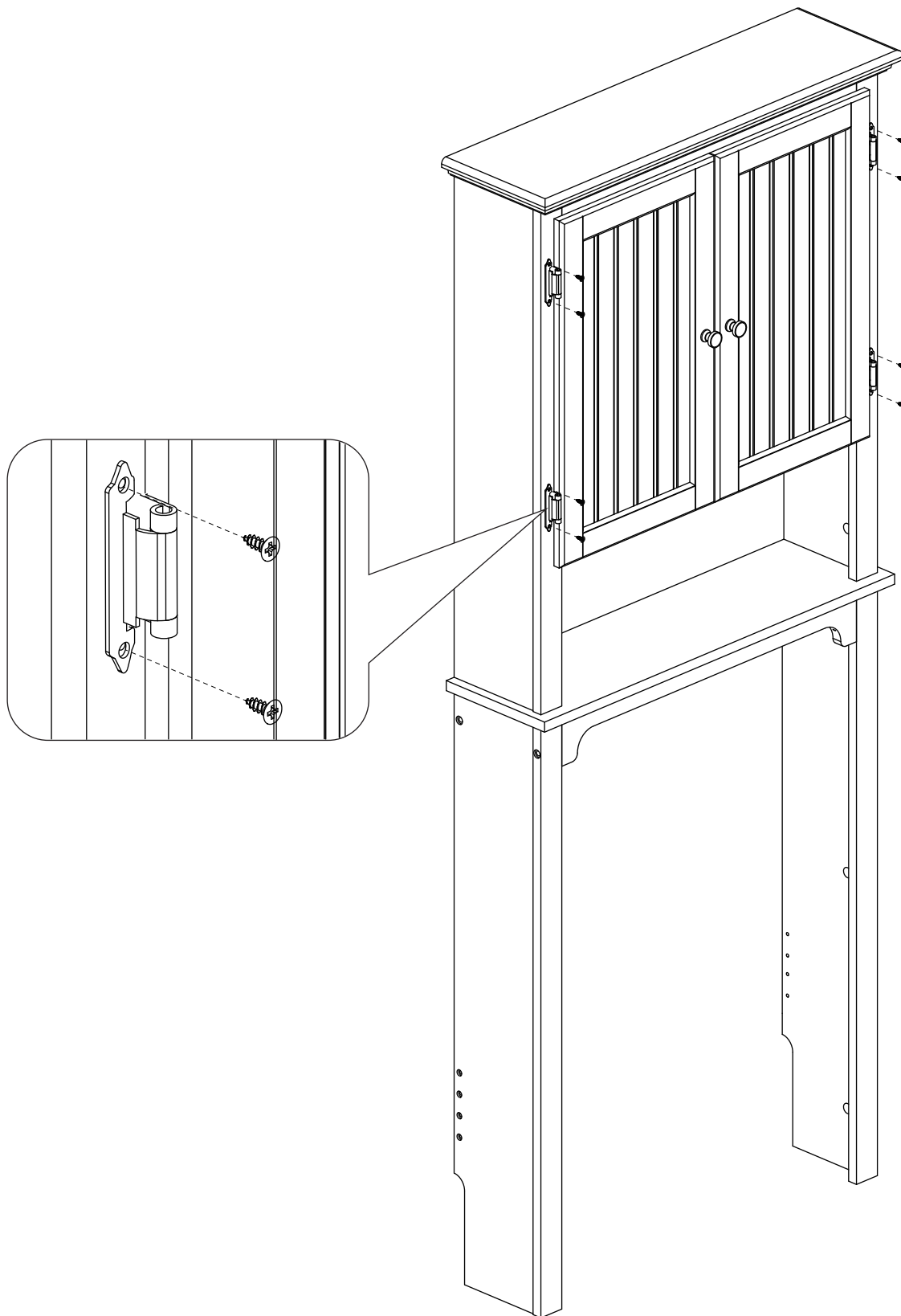


Assembly Instruction

16

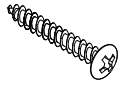


8 × 8



Assembly Instruction

17



①① × 6



①⑧ × 2



②① × 4

Wall

