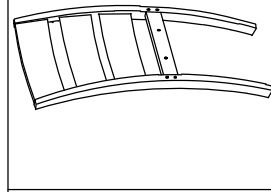
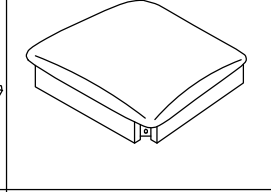
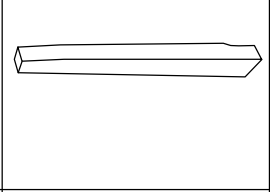
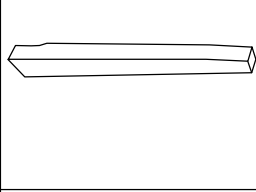
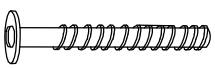
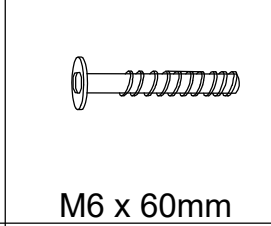
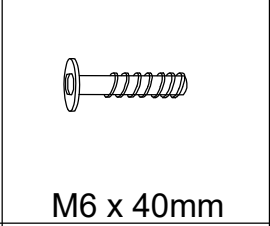
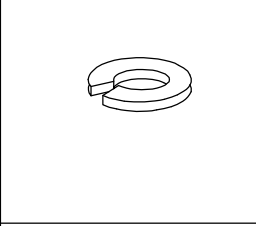
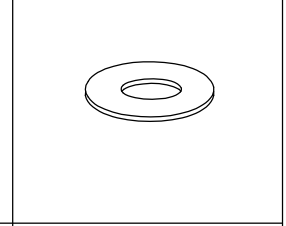



# PART LIST

<div data-bbox="95 127 159 190" data-label="Text">#A2</div> 	<div data-bbox="367 127 430 190" data-label="Text">#B2</div> 	<div data-bbox="638 127 702 190" data-label="Text">#C2</div> 	<div data-bbox="909 127 973 190" data-label="Text">#D2</div> 
<p>Back 2 PCS</p>	<p>Seat 2 PCS</p>	<p>Right Leg 2 PCS</p>	<p>Left Leg 2 PCS</p>

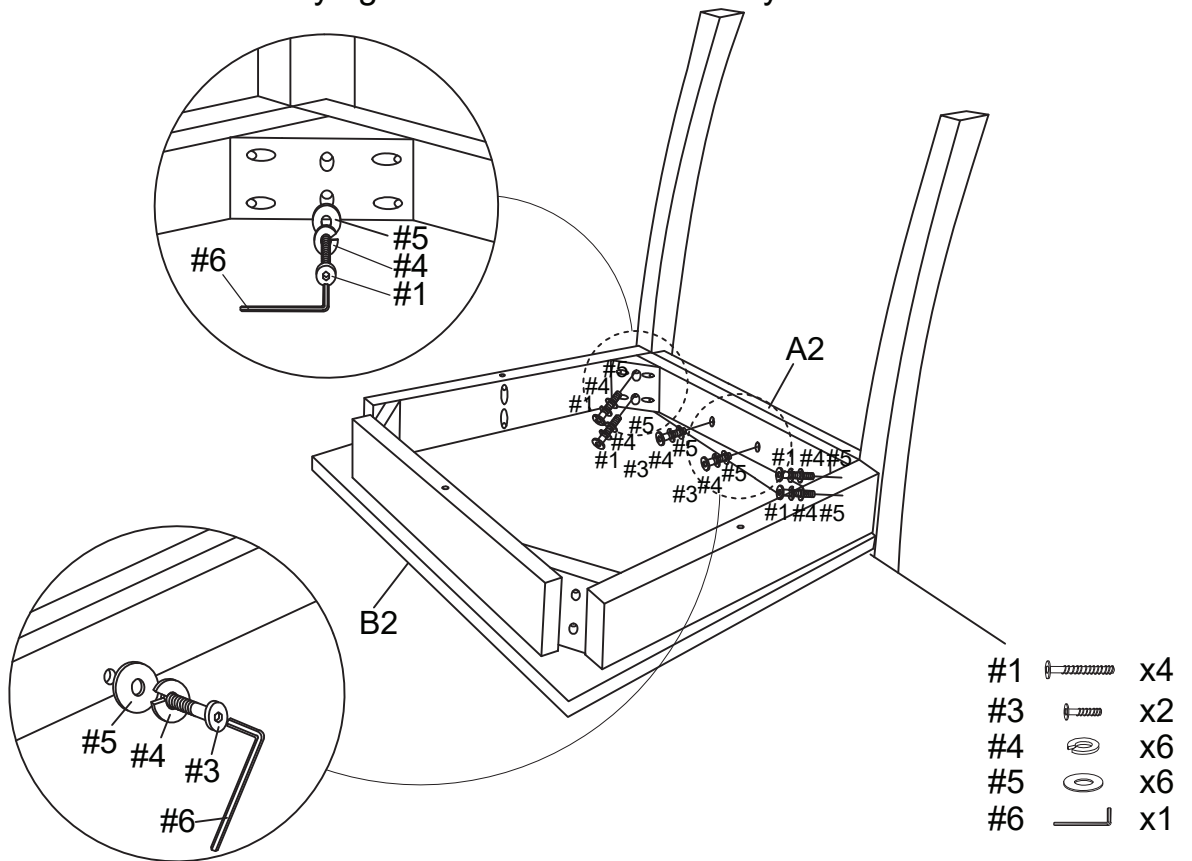
# HARWARE LIST

<div data-bbox="95 728 159 795" data-label="Text">#1</div> 	<div data-bbox="367 728 430 795" data-label="Text">#2</div> 	<div data-bbox="638 728 702 795" data-label="Text">#3</div> 	<div data-bbox="909 728 973 795" data-label="Text">#4</div> 	<div data-bbox="1165 728 1228 795" data-label="Text">#5</div> 
<p>M6 x 80mm Long Bolt 8 PCS (Extra1)</p>	<p>M6 x 60mm Bolt 8 PCS (Extra1)</p>	<p>M6 x 40mm Short Bolt 4 PCS (Extra1)</p>	<p>Spring Washer 20 PCS (Extra1)</p>	<p>Flat Washer 20 PCS (Extra1)</p>

<div data-bbox="95 1164 159 1232" data-label="Text">#6</div> 
<p>M4 Allen Wrench 1 PC</p>

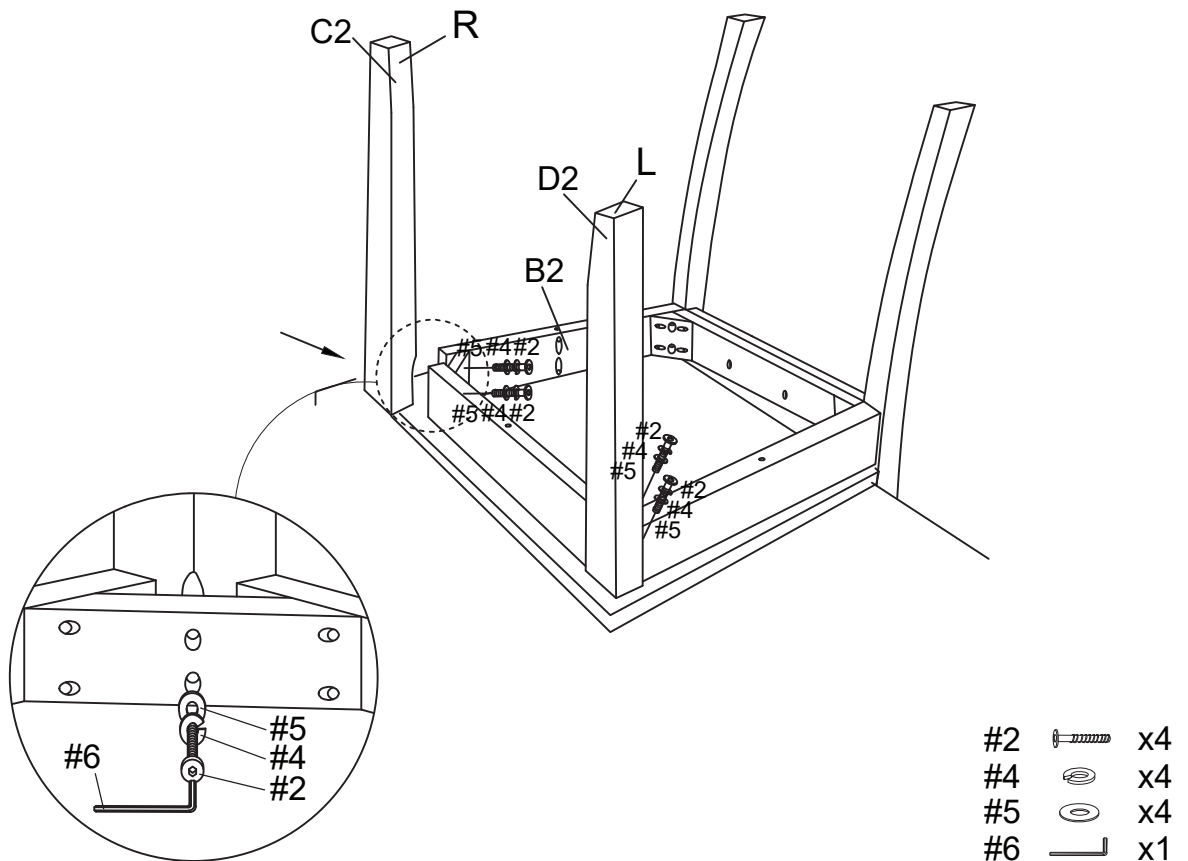
Step 1. Attach seat (part B2) to back (part A2) using long bolts (part #1), short bolts (part #3), spring washers (part #4), flat washers (part #5), and allen wrench (part #6).

NOTE: Please do not fully tighten bolts until unit is fully assembled.



Step 2. Attach legs (parts C2 & D2) to seat (part B2) using bolts (part #2), spring washers (part #4), flat washers (part #5) and allen wrench (part #6).

NOTE: Please fully tighten all bolts at this time.



Step 3. Carefully turn unit upright. Repeat steps 1-2 to assemble remaining chair.

