



STAINLESS STEEL SHOWER NICHE

Installation Instruction

INSTALLATION INSTRUCTIONS

CAUTION

Due to the weight and sharp edges of the niche, exercise caution when handling, moving or lifting the box or the niche. Use safety gloves and protective gear for eyes and ears. Get assistance when lifting or mounting the niche at any time during the installation procedure. If there is a risk of bodily injury or you are not medically fit to perform the installation, please do not attempt to handle or install this product.

IMPORTANT: We strongly recommend that this product be installed by a licensed plumber. Ensure that installation complies with applicable plumbing and building codes.

NEED TOOLS



Safety Glasses



Silicone Adhesive Sealant



Tape Measure



Rags



Level

PRODUCT INFORMATION

PRODUCT DESCRIPTION

- Premium Stainless Steel Niche
- All-in-one Storage Solution
- 91° inner Arc Angle
- Durable & Long-lasting
- Limited Lifetime Warranty

PACKING LIST

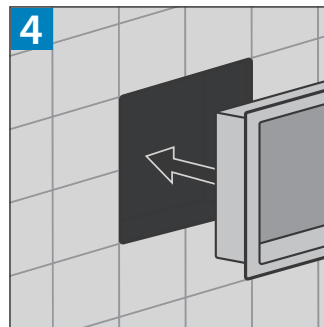
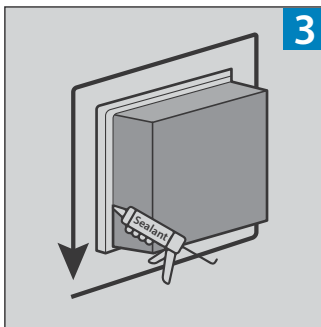
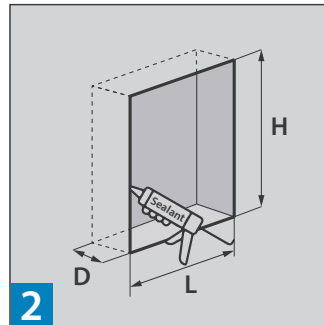
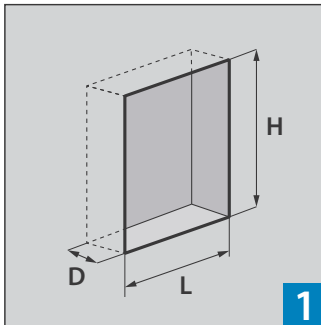
- Shower Niche
- Installation instruction

Read these instructions thoroughly before installation.

1. Check all the matching products inside when opening the package.
2. Inspect your niche for any noticeable damage before installation.

Installation

1. Cut or build the wall opening according to the dimensions indicated on the drawing.
2. Make sure the bottom of the wall opening is level, and adjust as necessary to ensure a tight fit between the niche frame and the wall. If there is any forward tilt, fill in the bottom with a leveling material to ensure a secure and gap-free installation.
3. Apply silicone to the back of the niche frame, ensuring that it is mold-resistant, waterproof, and heat-resistant if necessary.
4. Insert the stainless steel niche into the wall opening, making sure it fits snugly and securely without any gaps



Note: The width & height of the niche opening should be 1 inch less than the actual width of the product, It is important to use the actual dimensions during installation.

MAINTENANCE INSTRUCTIONS

DO

1. Clean daily and keep the niche dry after you use it. Because any standing water can cause a build up of mineral deposit, which will become hard water stains.
2. Use a soft towel or sponge to clean the niche with warm water. Mixing in some washer-fluid is advisable. Wipe the niche dry after cleaning.
3. Rinse the niche after using any cleaning agent and wipe dry. If any mineral deposits built the niche, clean up it as soon as possible.
4. Regularly check the grout and seal around the niche for any cracks or gap.

DO NOT

1. Leave cleaning agents or bleach in your shower niche which may cause the shower niche to discolor or damage the surface.
2. Use cleaners that are abrasive or containing bleach.
3. Use abrasive cleaning materials to wipe the surface of the shower niche, such as steel wool or scouring pad.
4. Build the niche near your shower's direct spray.

TIPS

Scratch Marks



Niche may become scratched-unless you protect it properly. To avoid this problems, you should prevent scratching the surface with sharp objects. And avoid abrasive cleaners or scouring pads that may scratch the surface.

Water Marks



Water stays in the niche for a long time and is not wiped clean after each use will cause water stains. To remove these stains you can use a soft cloth with detergent to gently wipe them away. Make it a habit to clean it daily and dry the niche after cleaning.

Codes / Standards Applicable:

In Accordance with Industry Codes & Standards for USA & Canada.

WARRANTY & SUPPORT

Limited Lifetime Warranty Sinks

- warrants to the original purchaser of niche that the niche is safe from defects in workmanship and materials since its manufacture. If the niche is damaged, will, at its option, replace or repair the product free of charge.
- There are no express warranties other than those contained in this Warranty, and all representations or affirmations made by or any other person were for illustrative purposes only.
- Warranties and replacements are non-transferable and apply only to the original purchaser of the niche.
- The limited warranty period begins on the initial date of purchase of the product by the original purchaser.

Exclusions

- This warranty does not apply to Products that have not been installed or operated in accordance with instructions supplied by Lordear.
- This warranty does not apply unless the product is installed by a fully insured and licensed trade professional.
- This warranty does not cover damage caused by environmental factors, normal wear including dents and scratches.
- This warranty does not cover damage caused by improper care and cleaning including the use of aggressive cleaning agents and abrasive cleaning materials.
- This warranty does not cover shipping costs, labor costs, or any other charges for such items as installation or replacement of the sink, diagnosis or replacement of any component part, or any other expense or loss.
- This warranty does not cover marine or outdoor Installation.
- This warranty does not cover Installation in violation of applicable state or local plumbing or housing codes.

For questions regarding Lordear Products, please contact: