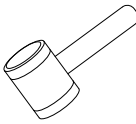
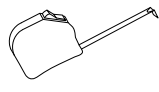
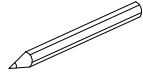
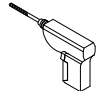
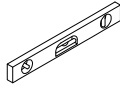
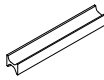
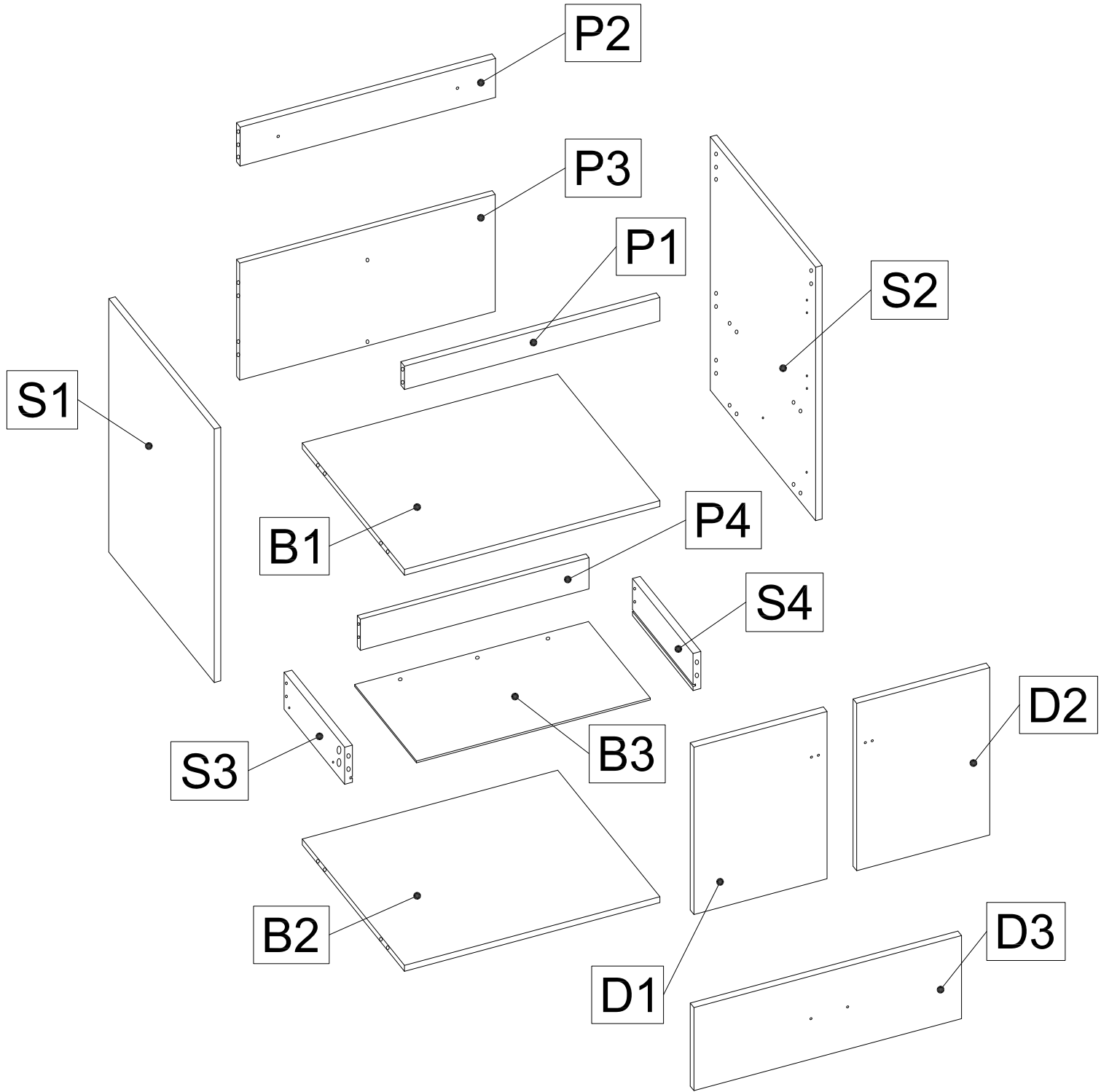
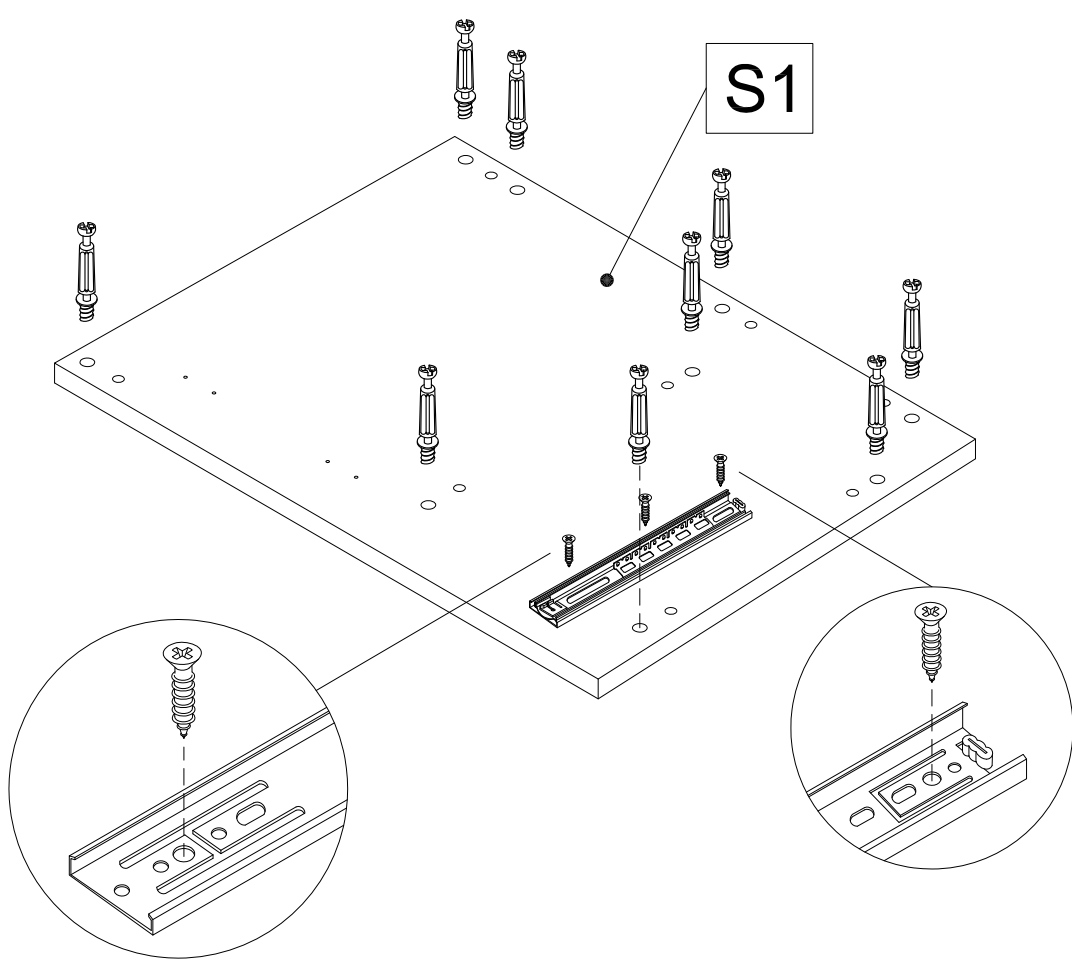
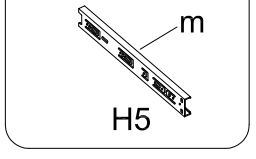
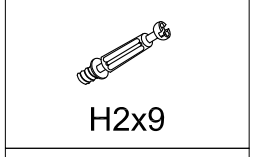
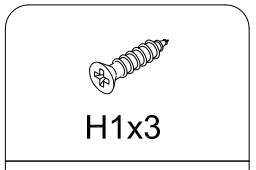
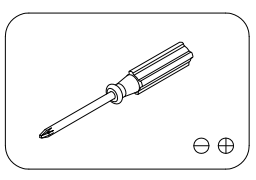
	Ø4x14mm H1x52
	H2x24
	Ø8x30mm H3x16
	H4x24
	m s H5x2
	H6x6
	H7x2
	Ø4x20mm H8x3
	Ø4x30mm H9x4
	H10x4
	H11x24
	H12x4
	Ø8x40mm H13x2
	H15x1
	Ø4x50mm H14x2



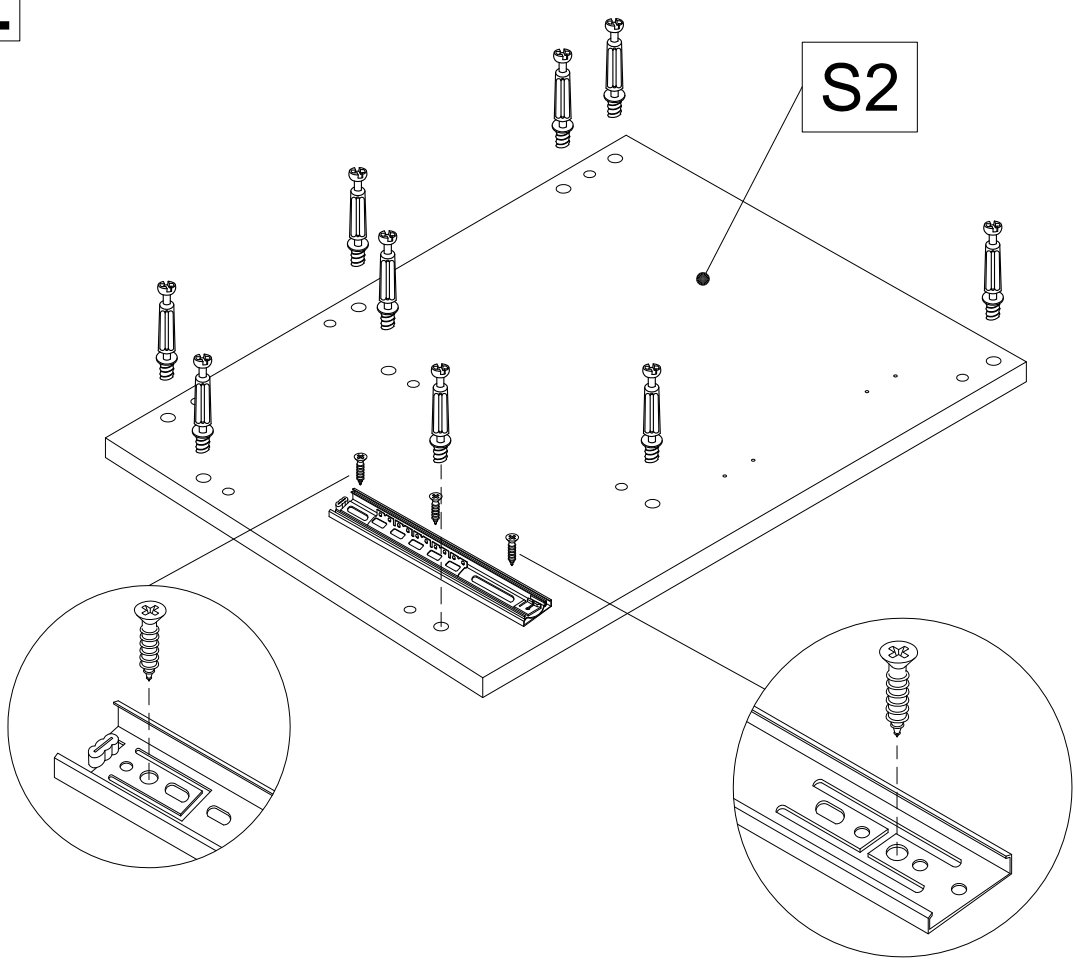
1



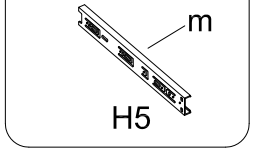
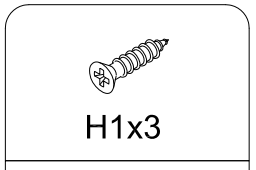
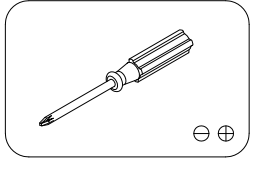
S1



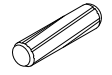
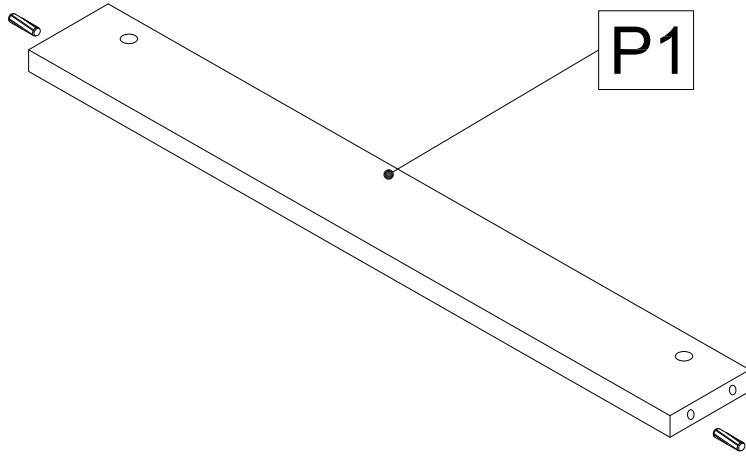
2



S2

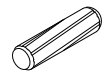
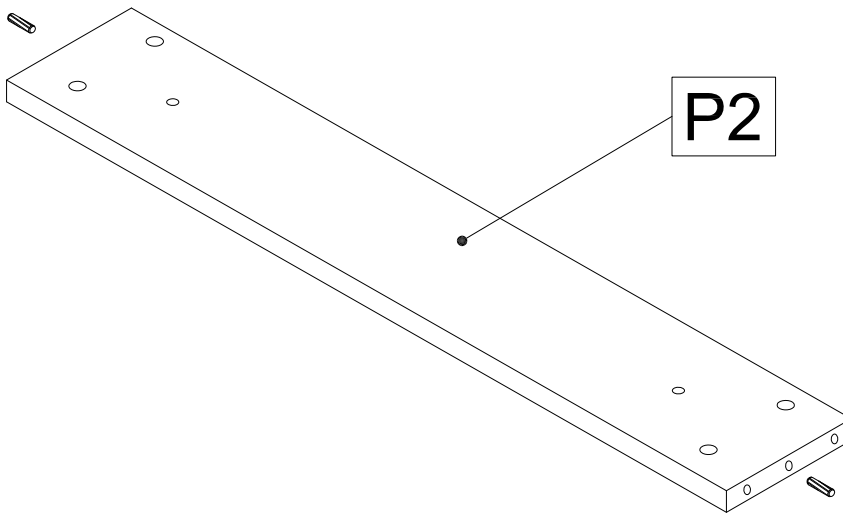


3



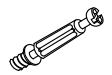
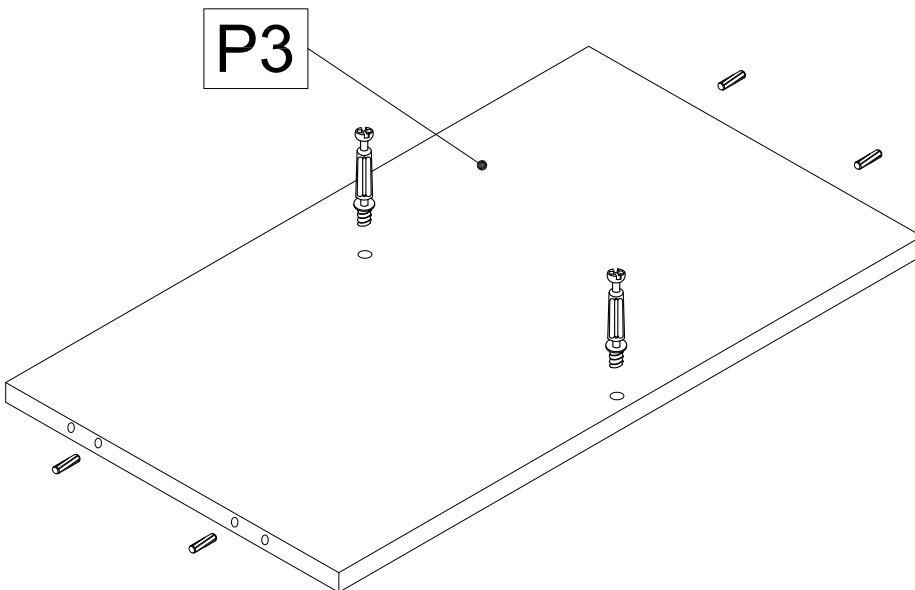
H3x2

4

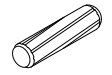


H3x2

5

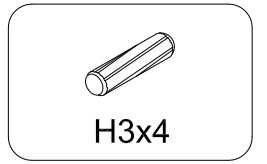
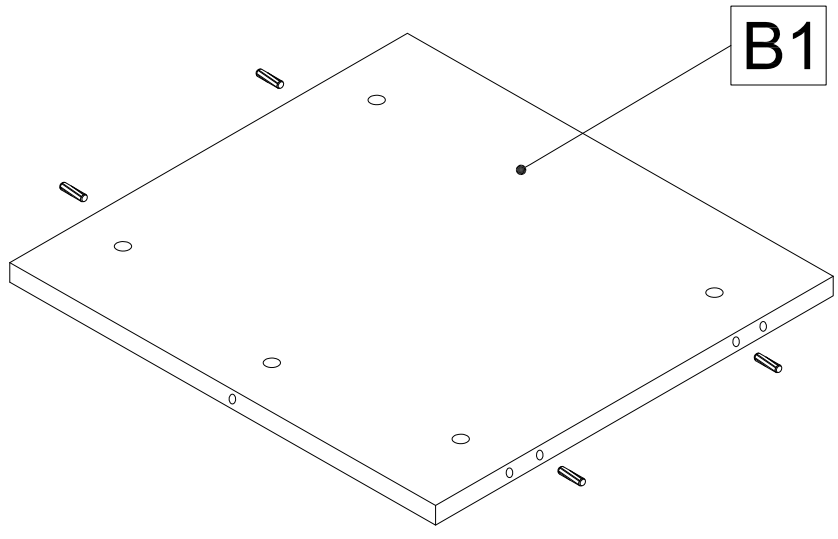


H2x2

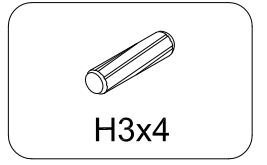
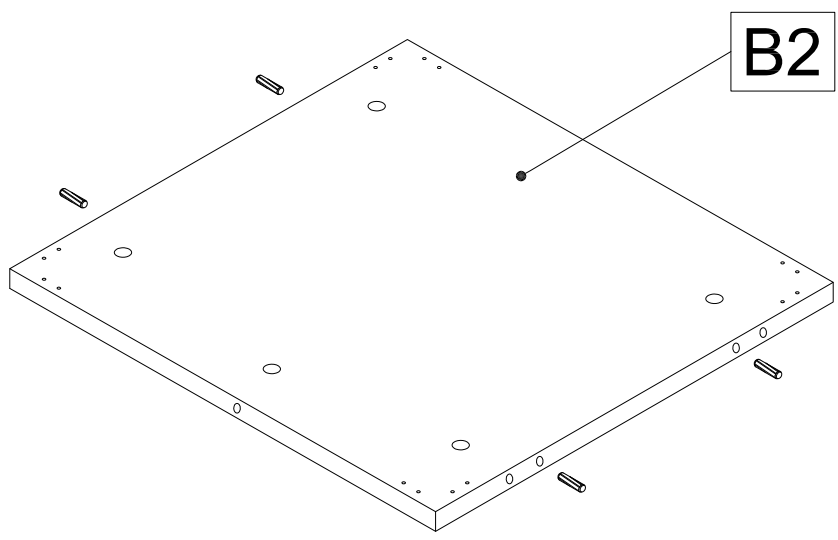


H3x4

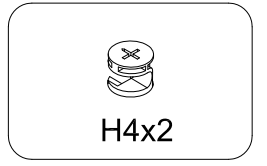
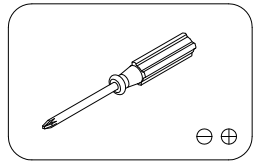
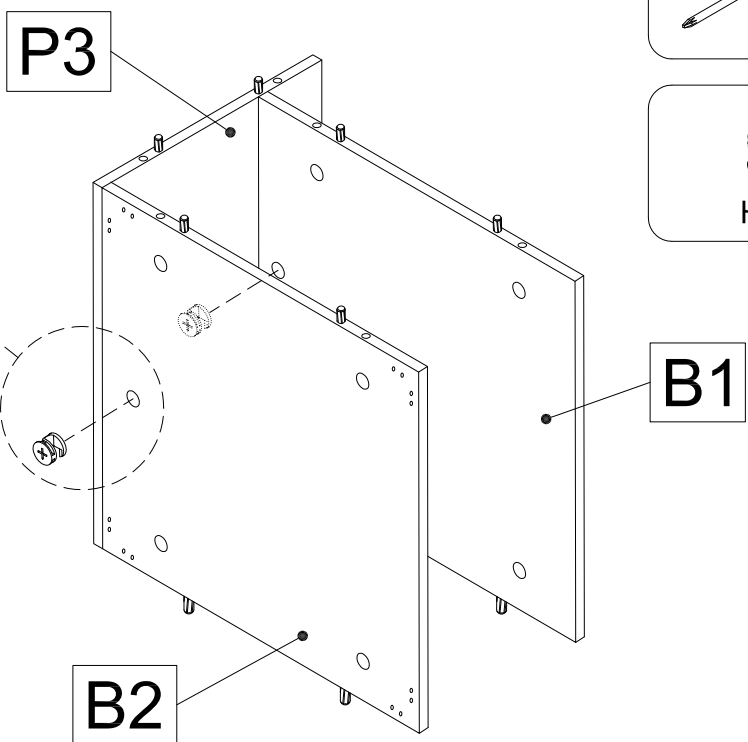
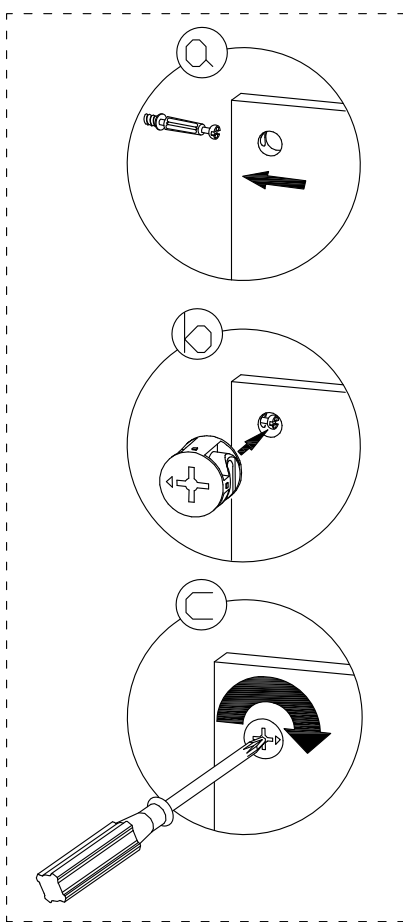
6



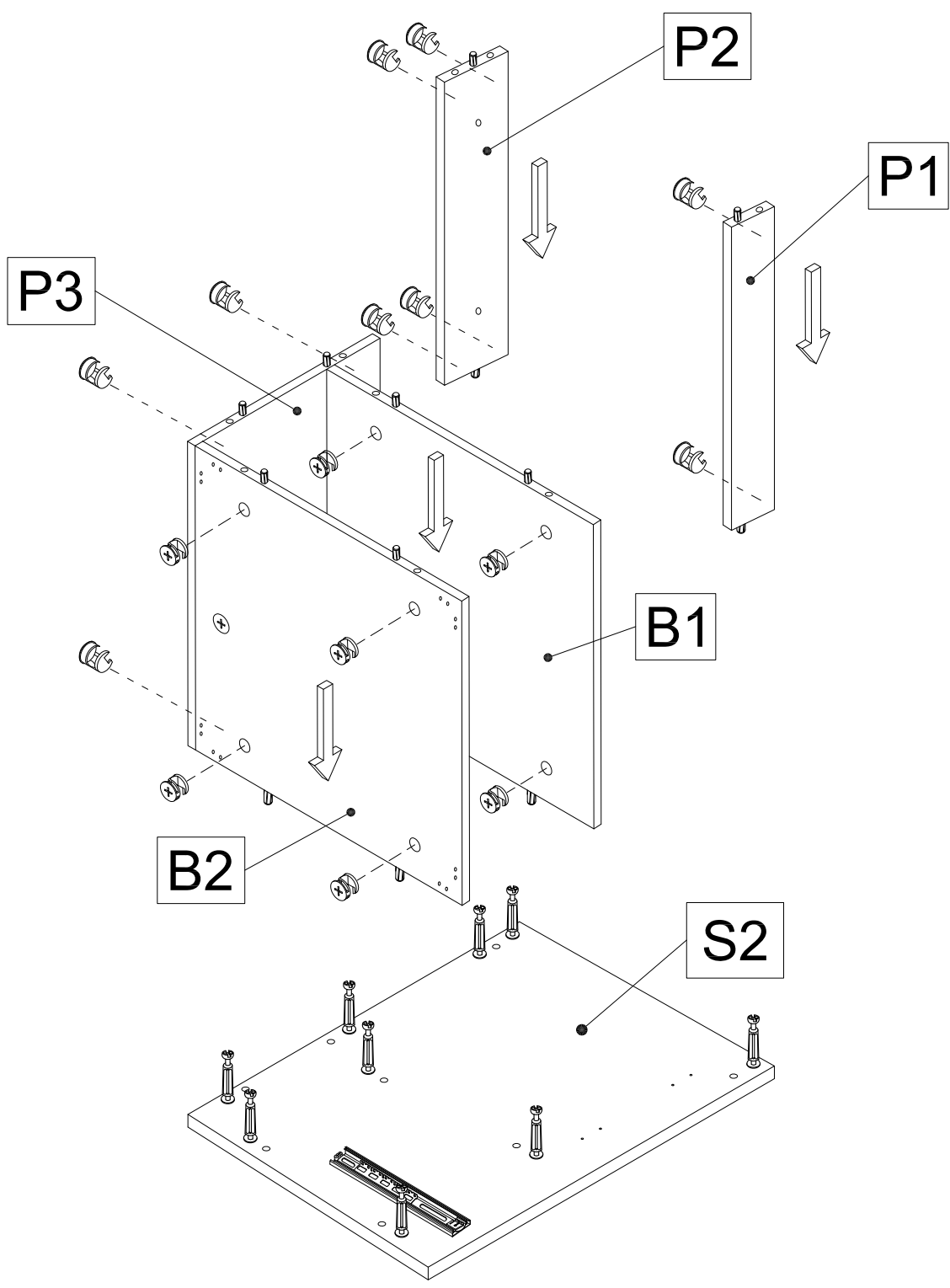
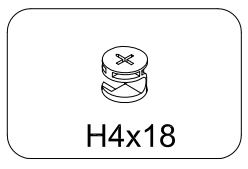
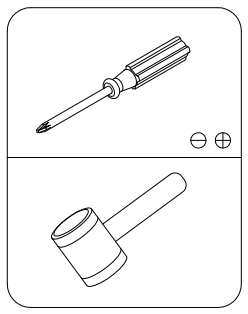
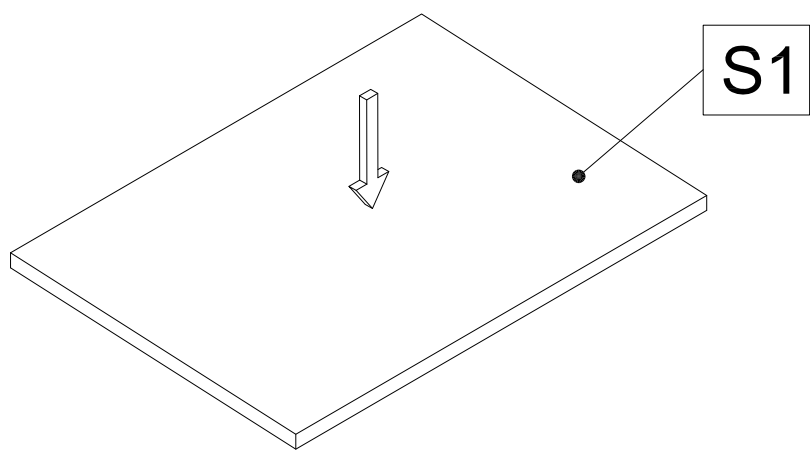
7



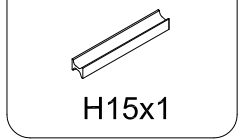
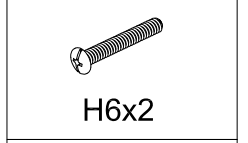
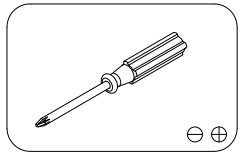
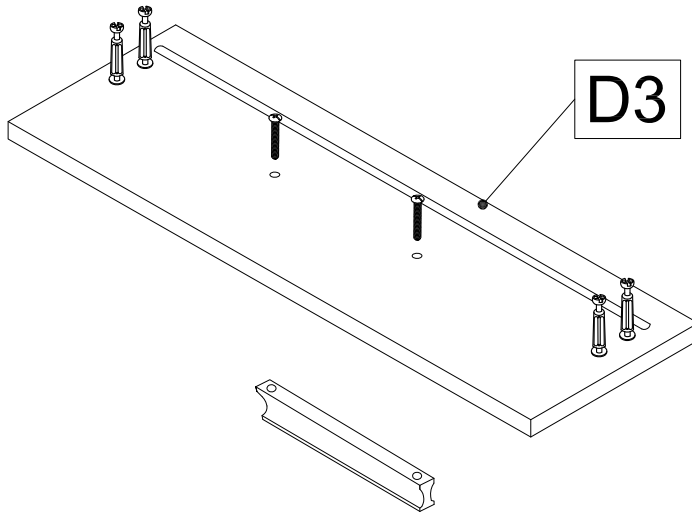
8



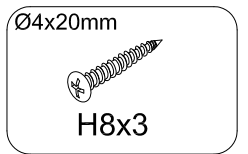
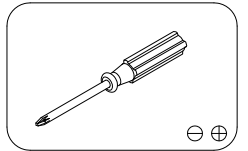
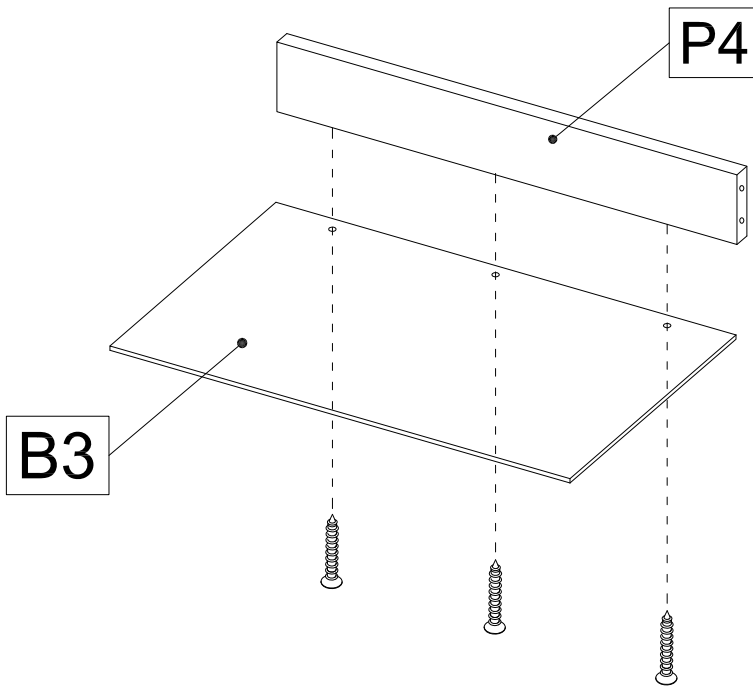
9



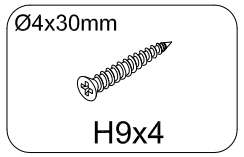
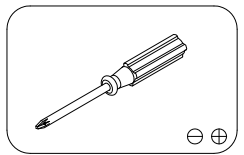
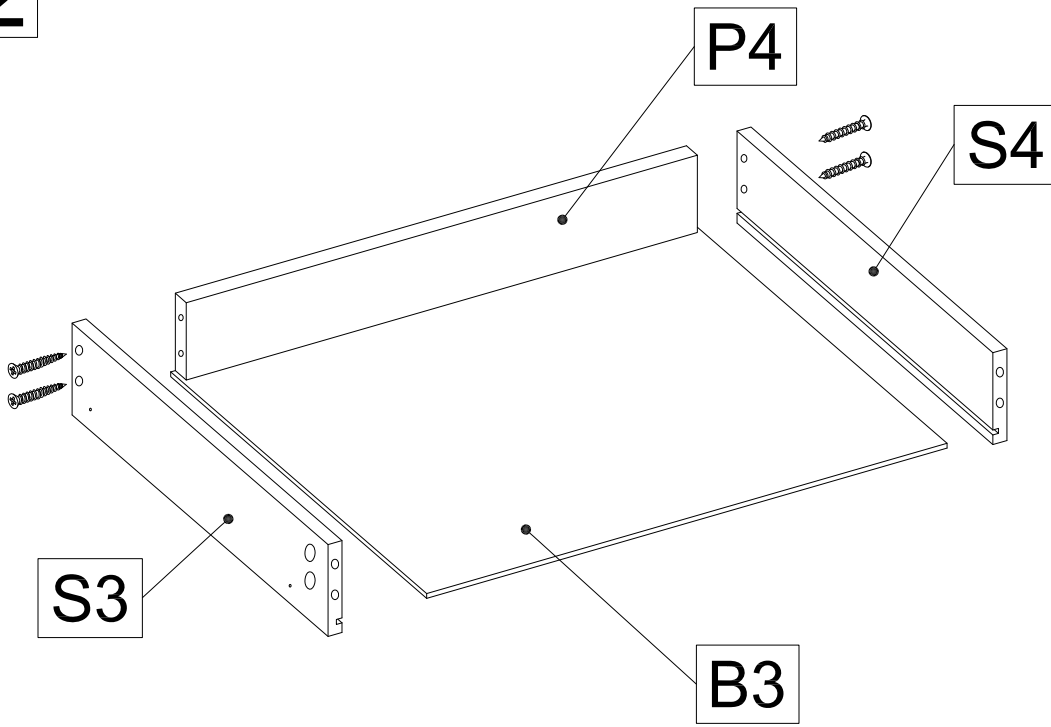
10



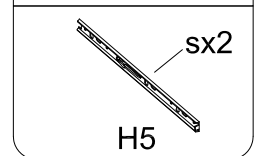
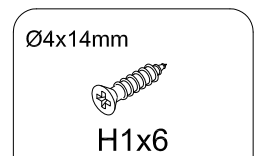
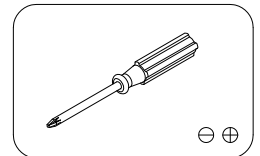
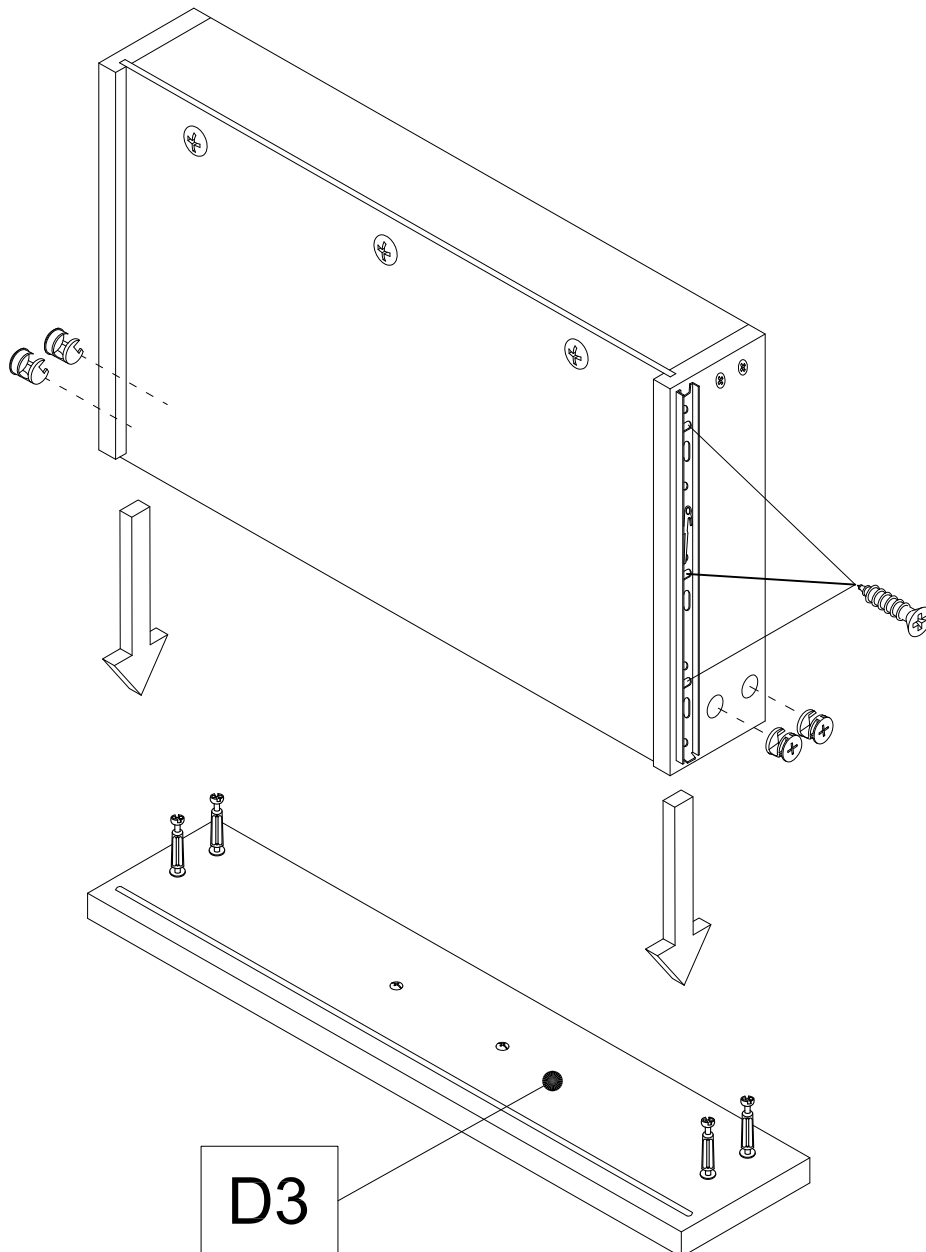
11

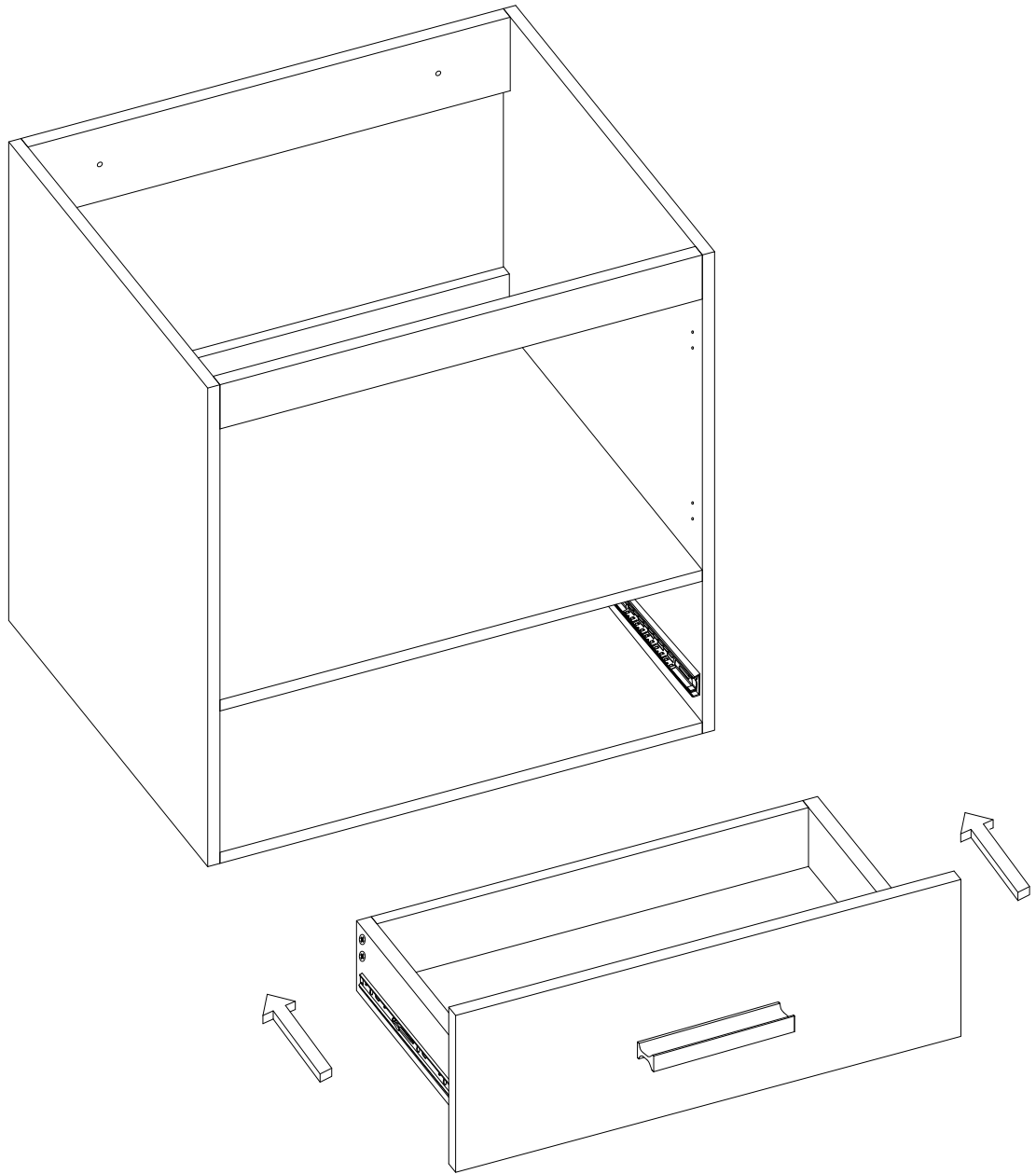


12

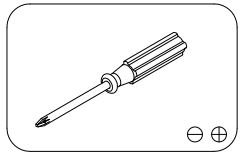
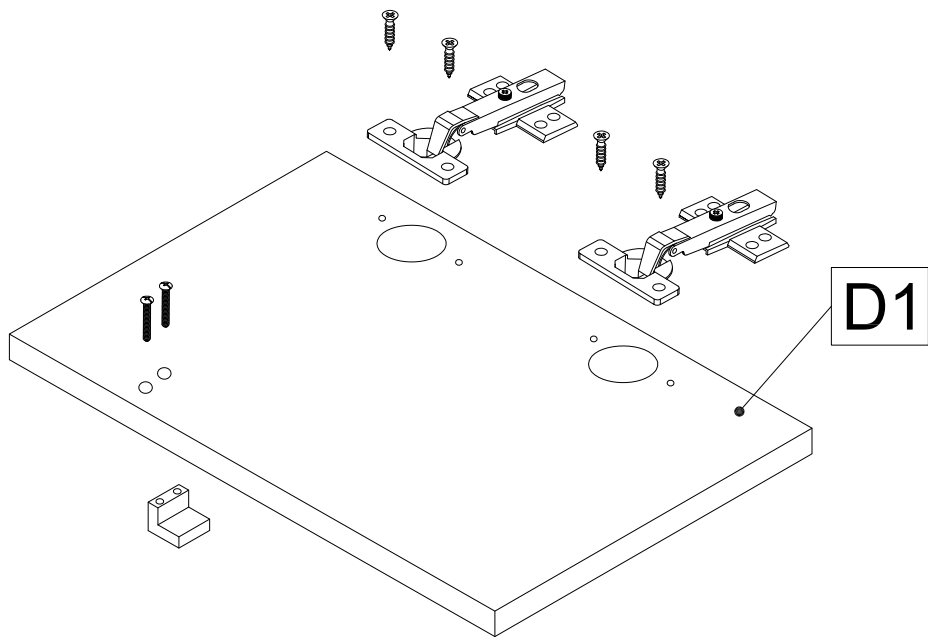


13

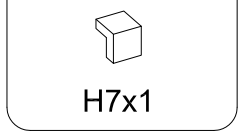
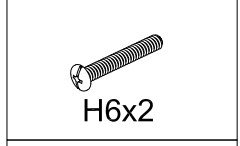
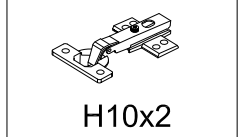




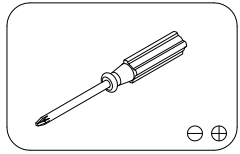
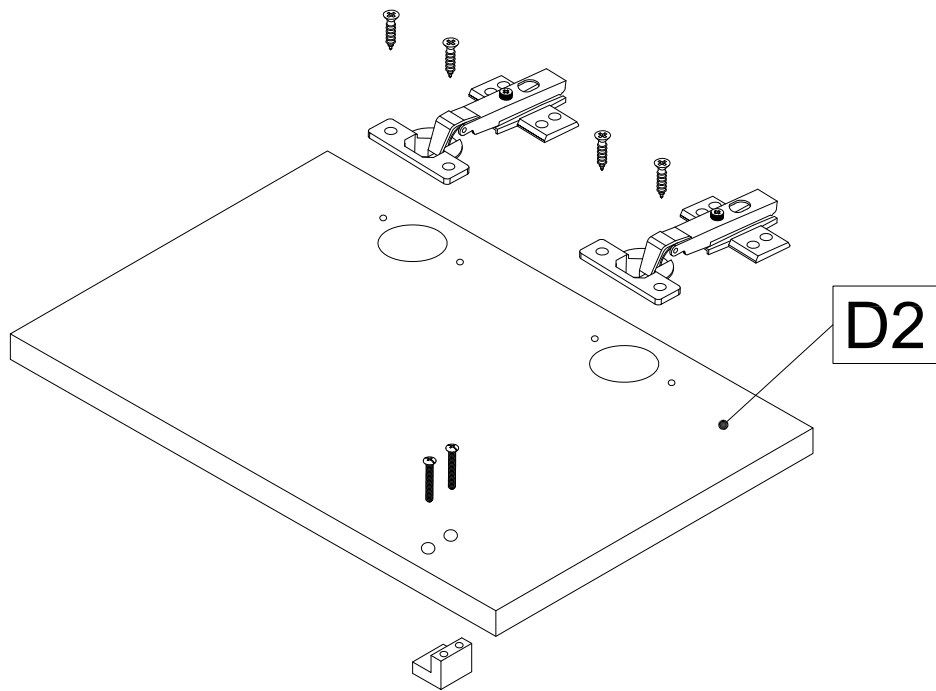
15



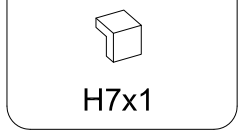
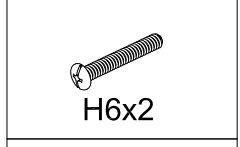
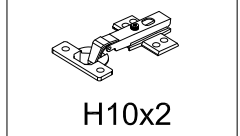
Ø4x14mm
H1x4

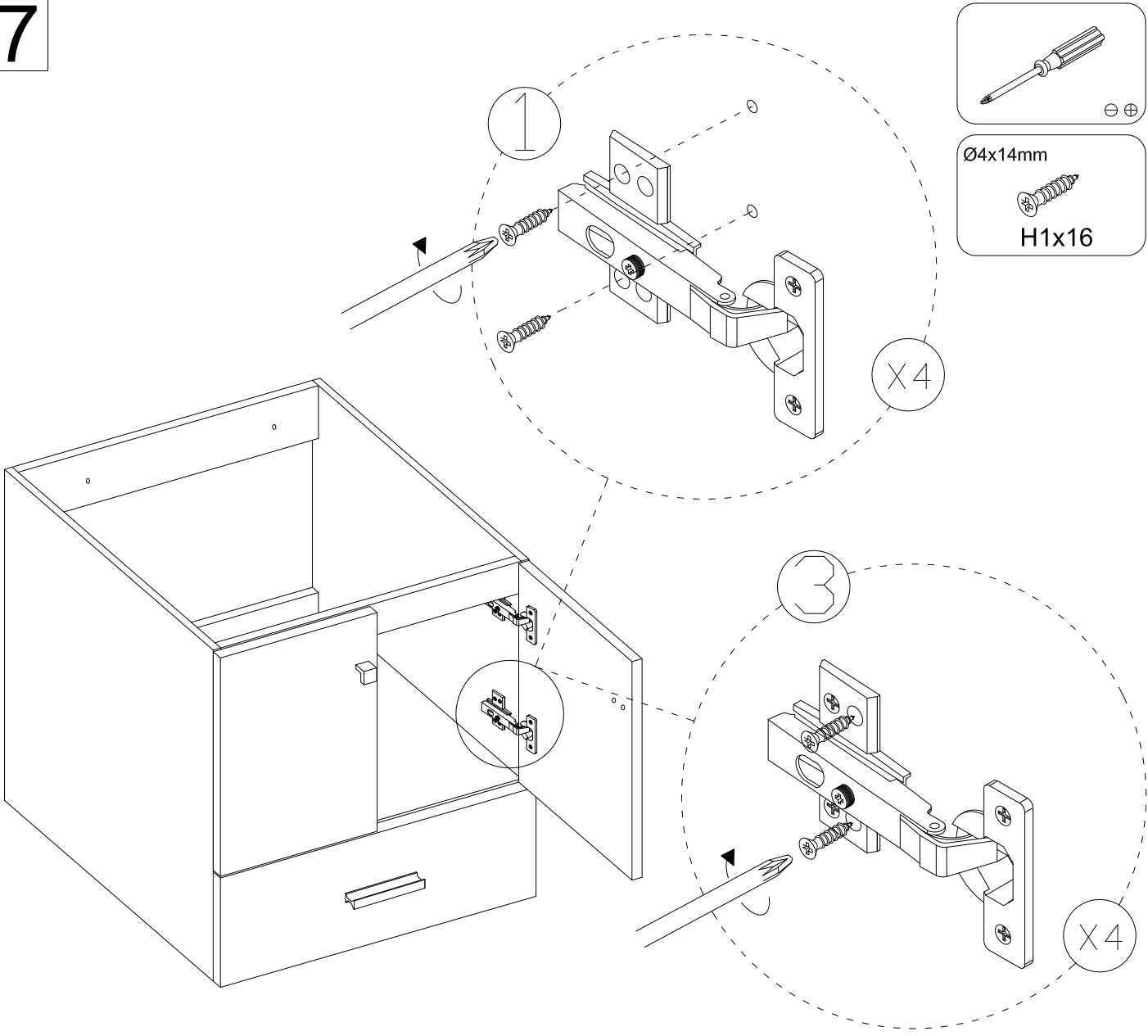
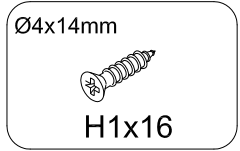
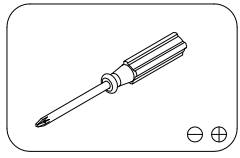


16

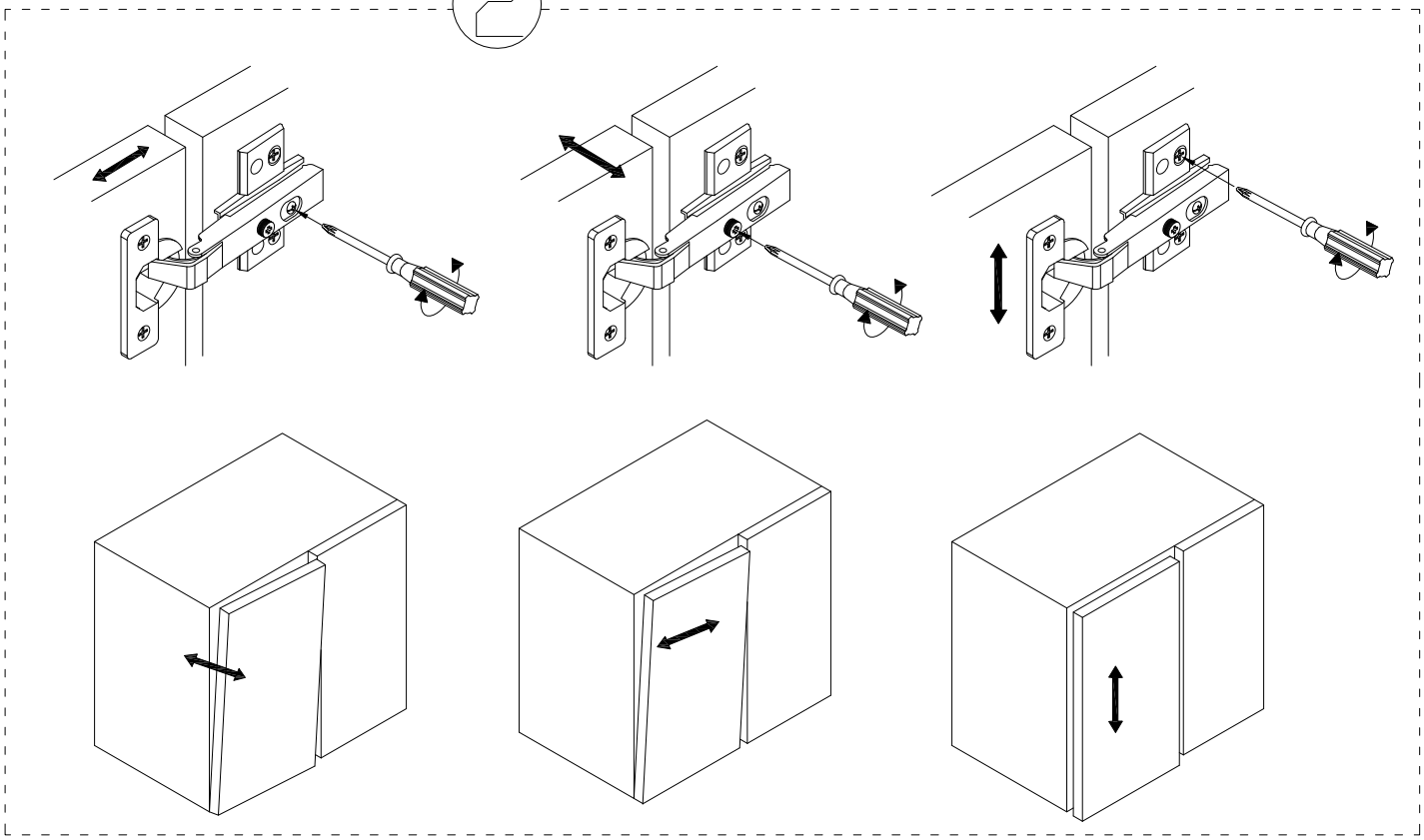


Ø4x14mm
H1x4

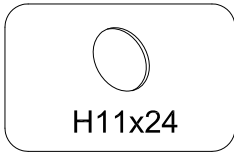
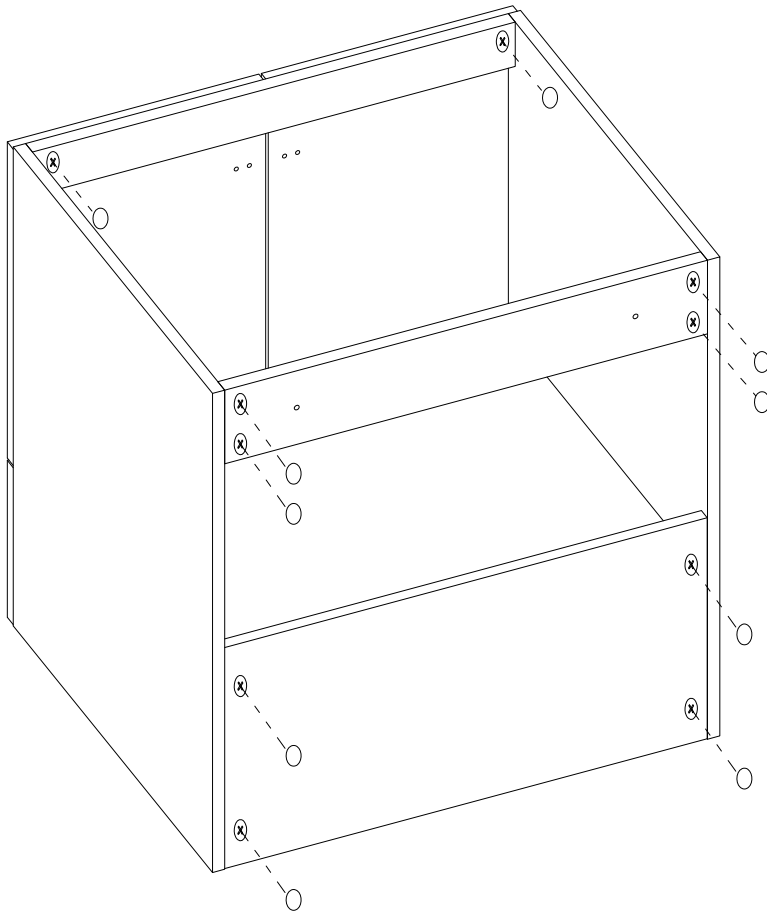




2

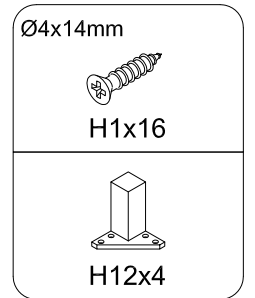
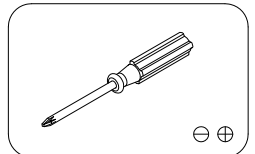
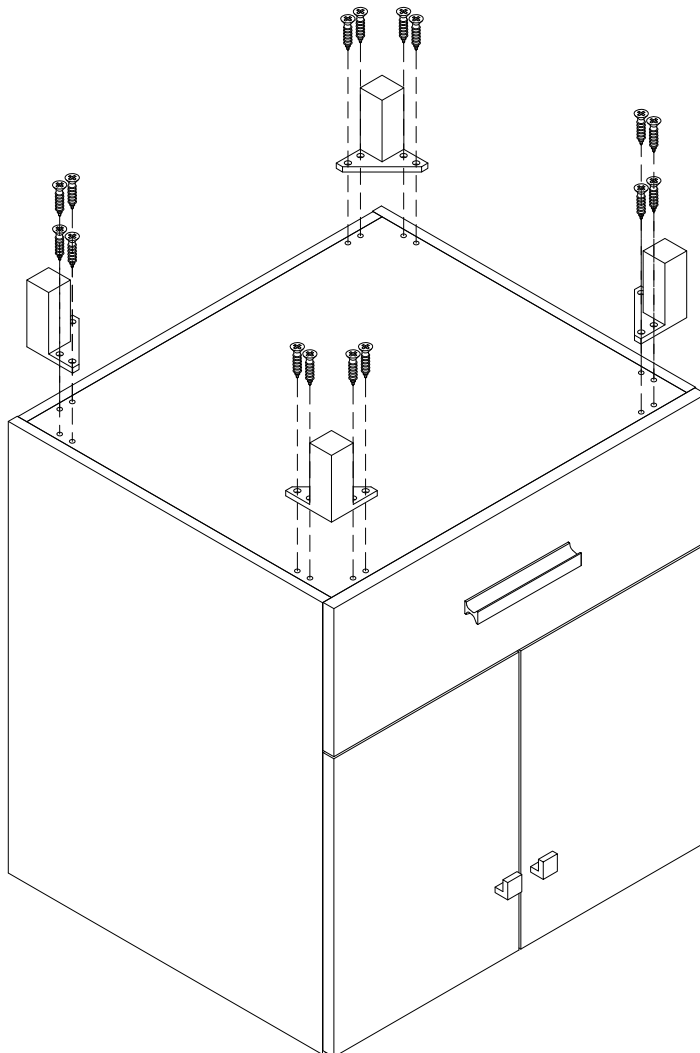


18



H11x24

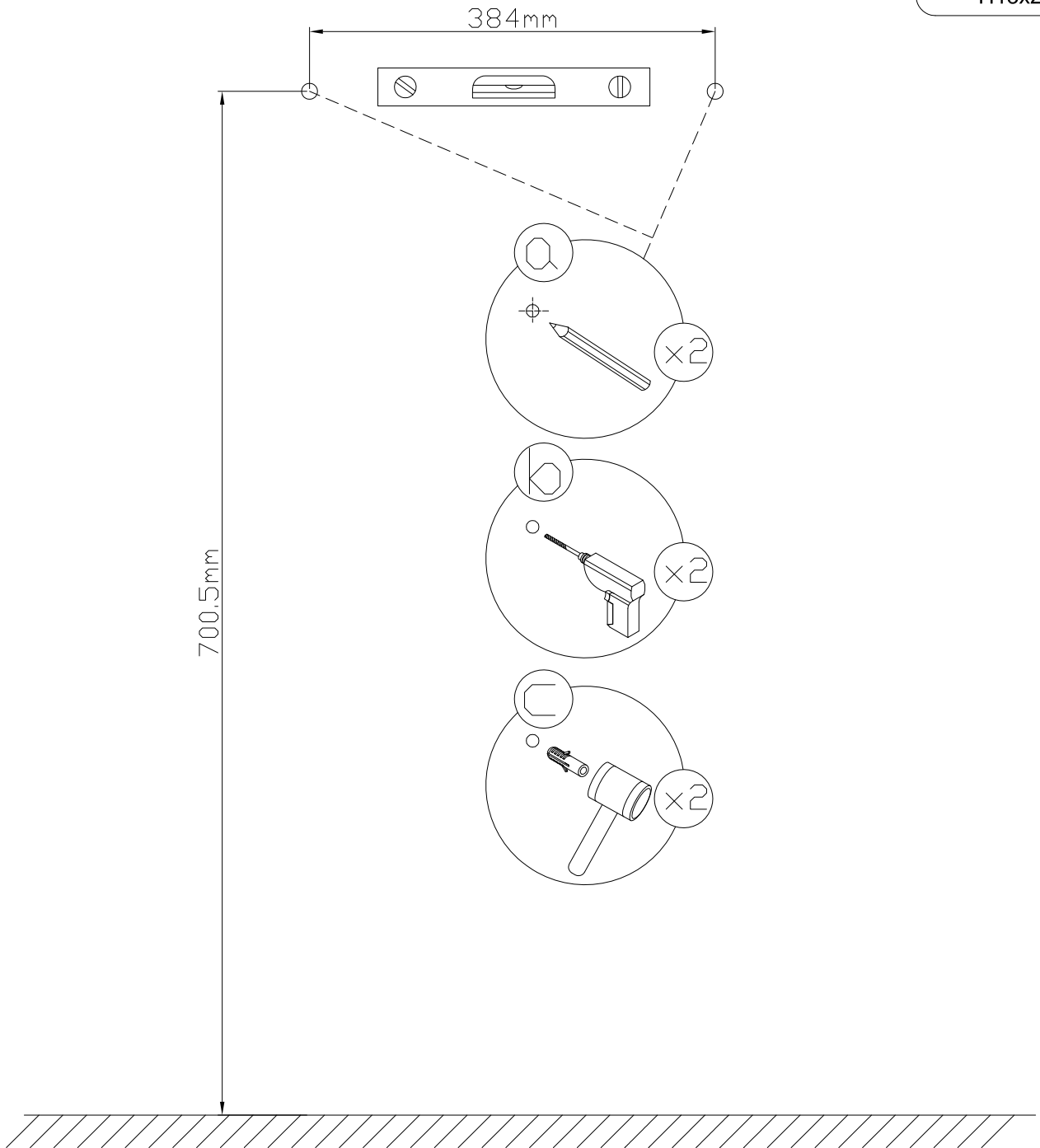
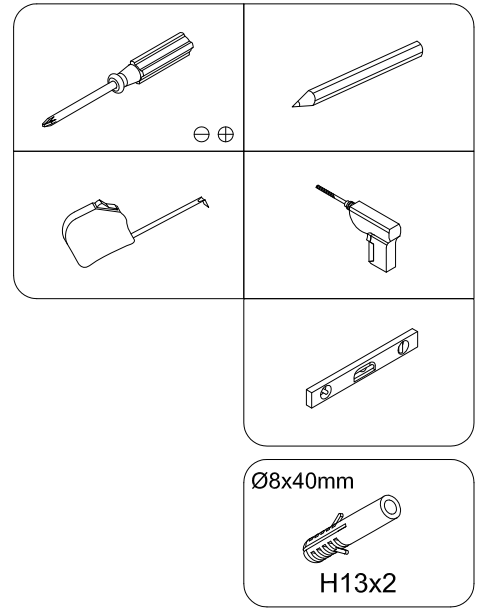
19



Ø4x14mm

H1x16

H12x4



21

