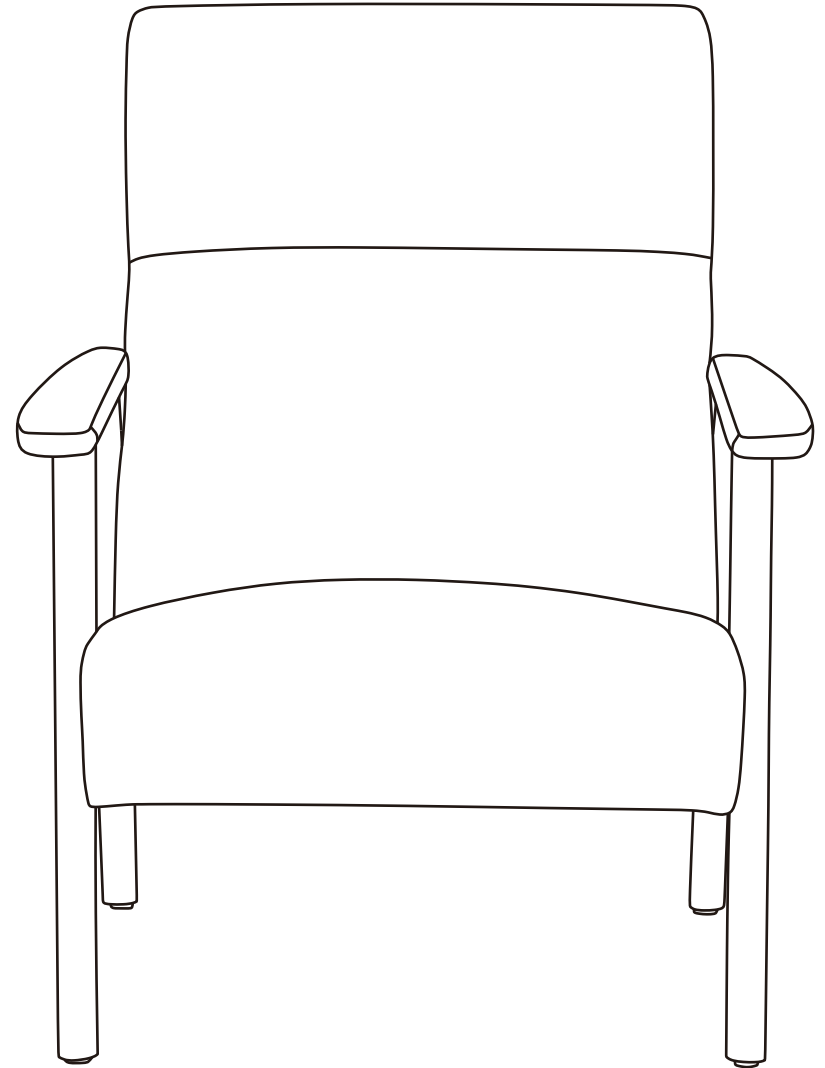


Instruction Manual

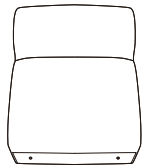
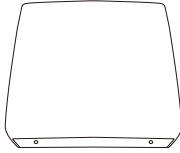
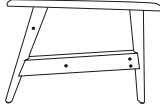
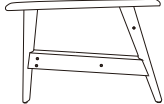
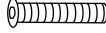
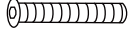



User Guide

Make life better

Warm tips: We are proud of high-quality products and satisfactory service, but the goods may encounter special circumstances during transportation, if you receive the goods with missing or damaged parts, please take photos and contact our customer service before returning the goods , we will customize a solution that satisfies you, thank you.



Instruction

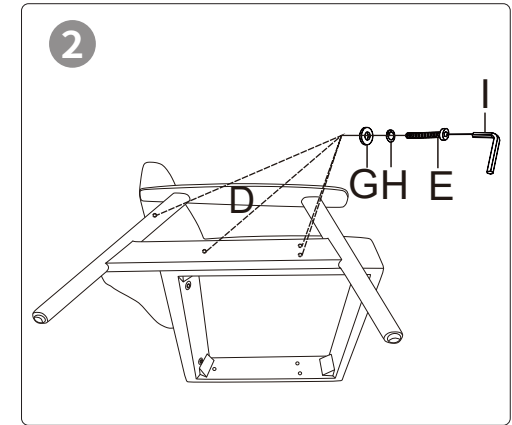
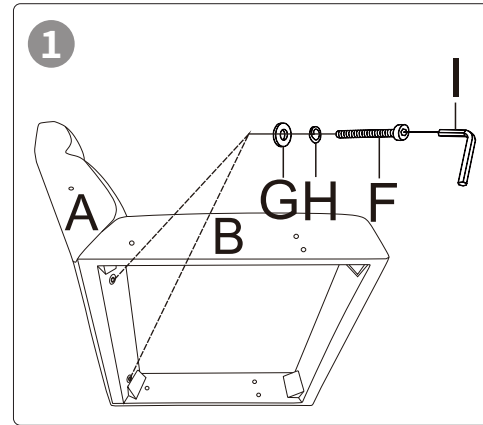
| NO | DESCRIPTION | | QTY |
|----|---------------|--|-----|
| A | Backrest |  | 1 |
| B | Seat Frame |  | 1 |
| C | Left Armrest |  | 1 |
| D | Right Armrest |  | 1 |
| E | Screw1 | $\Phi 5/16$ "* 1-9/16"L  | 8 |
| F | Screw2 | $\Phi 5/16$ "* 2-3/8"L  | 2 |
| G | Flat Washer | $\Phi 5/16$ "*22mm  | 10 |
| H | Lock Washer | $\Phi 5/16$ "  | 10 |
| I | Allen Wrench | $\Phi 5$ mm  | 1 |

Note:

1. During the assembly of the two components, if there are multiple screws that need to be installed, you can first align all the screws with the hole position and manually turn a few turns to fix the position, and then tighten them all with a wrench.

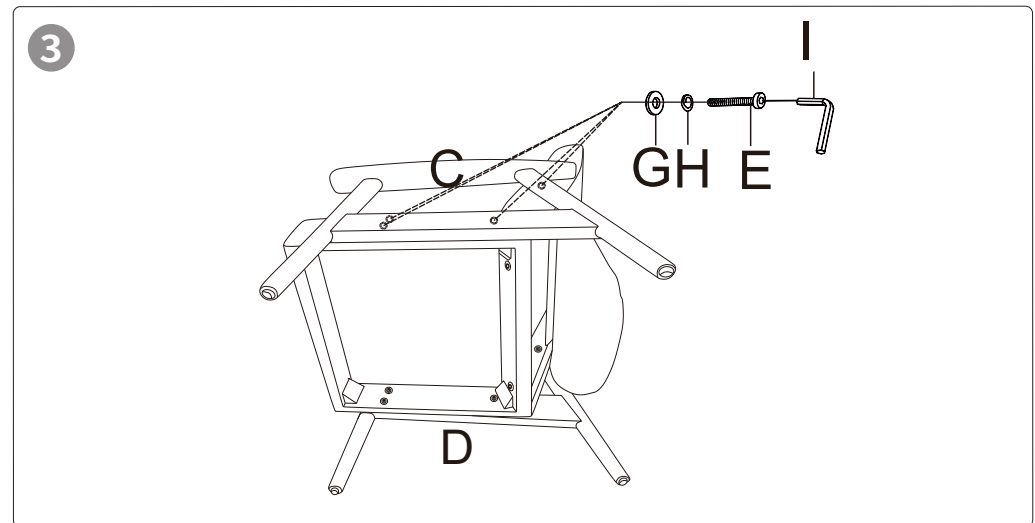
2. The Flat Washer and Lock Washer must be installed to prevent the screw from loosening and damaging the connection part.

Installation Method



1 First, connect the backrest A and the seat frame B with screws. Align the left and right screws with the screw holes first. Please note that you do not need to tighten them all for now.

2 Unzip the non-woven zipper at the bottom, tear off the Velcro on the backrest, and connect the right armrest D with the frame with screws. Align the 4 screws with the screw holes first, and do not need to tighten them all.



3 Similarly, install the left armrest C on the frame. Align the 4 screws with the screw holes first, and then tighten all the screws in sequence.

Locking Order: first lock the Backrest and Seat Frame, then lock the two Armrests.