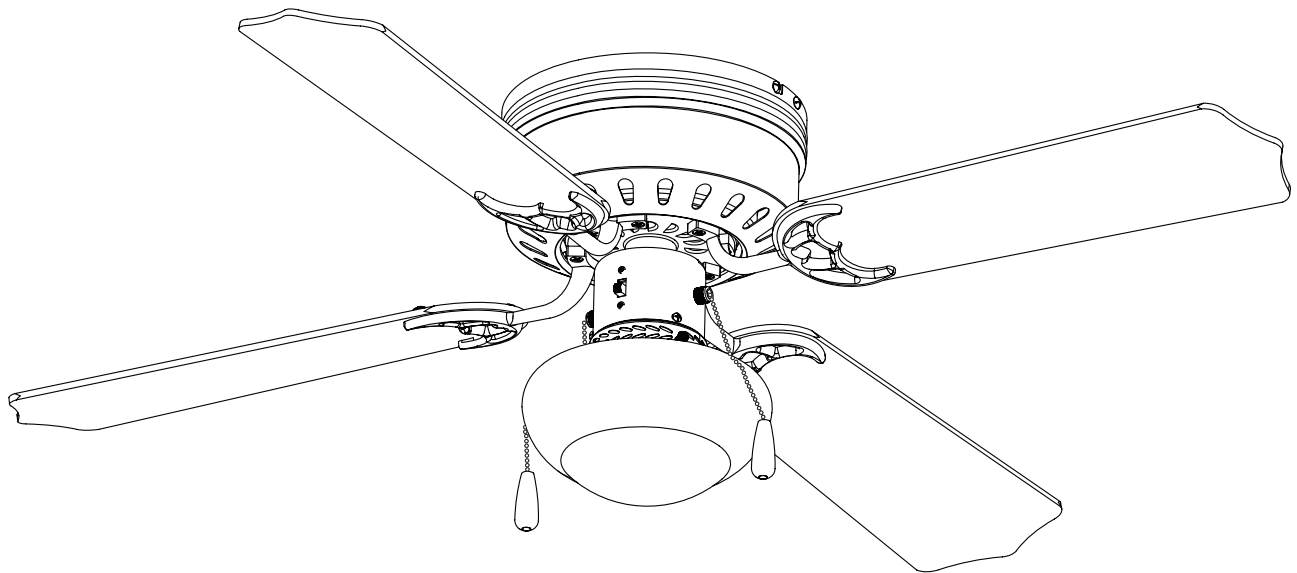


# 42" CEILING FAN

## Owner's Manual

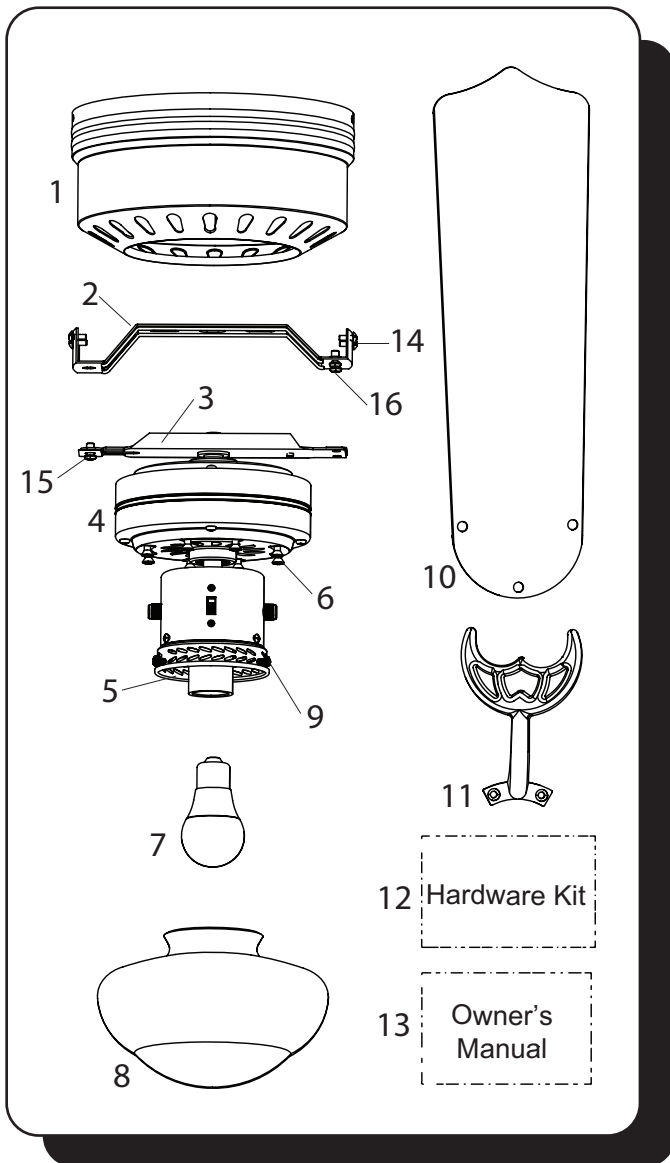
Models #51489, 51490, 51491



**Intertek**

To obtain service, please contact the Service Department:  
1-877-706-3267, 8 a.m.-5 p.m. Central, Monday-Friday.

## PACKAGE CONTENTS



Unpack your fan and check the contents. You should have the following items:

### PACKAGE CONTENTS

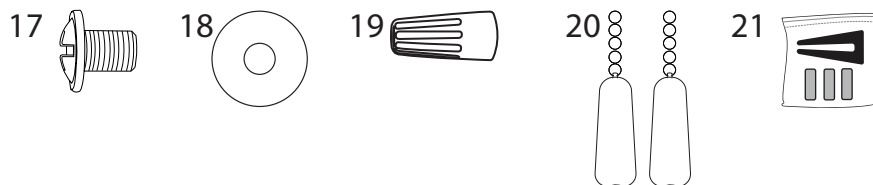
- |                           |                              |
|---------------------------|------------------------------|
| 1. Motor Housing          | 10. Blade (x4)               |
| 2. Upper Mounting Bracket | 11. Blade Arm (x4)           |
| 3. Lower Mounting Bracket | 12. Hardware Kit             |
| 4. Motor                  | 13. Owner's Manual           |
| 5. Light Kit              | 14. Motor Housing Screw (x4) |
| 6. Motor Screw (x8)       | 15. Lower Bracket Screw      |
| 7. E26-base LED Bulb (x1) | 16. Upper Bracket Screw (x2) |
| 8. Glass Globe (x1)       |                              |
| 9. Thumbscrew (x3)        |                              |

### HARDWARE CONTENTS

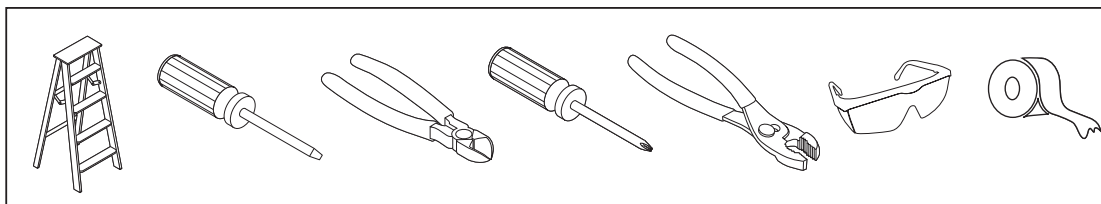
- |                         |                               |
|-------------------------|-------------------------------|
| 17. Blade Screw (x15)   | 20. Pull Chain Extension (x2) |
| 18. Blade Washer (x15)  | 21. Blade Balancing Kit       |
| 19. Wire Connector (x3) |                               |

**Note:** Some extra hardware has been included. The quantity listed above is the number required for installation.

## HARDWARE CONTENTS



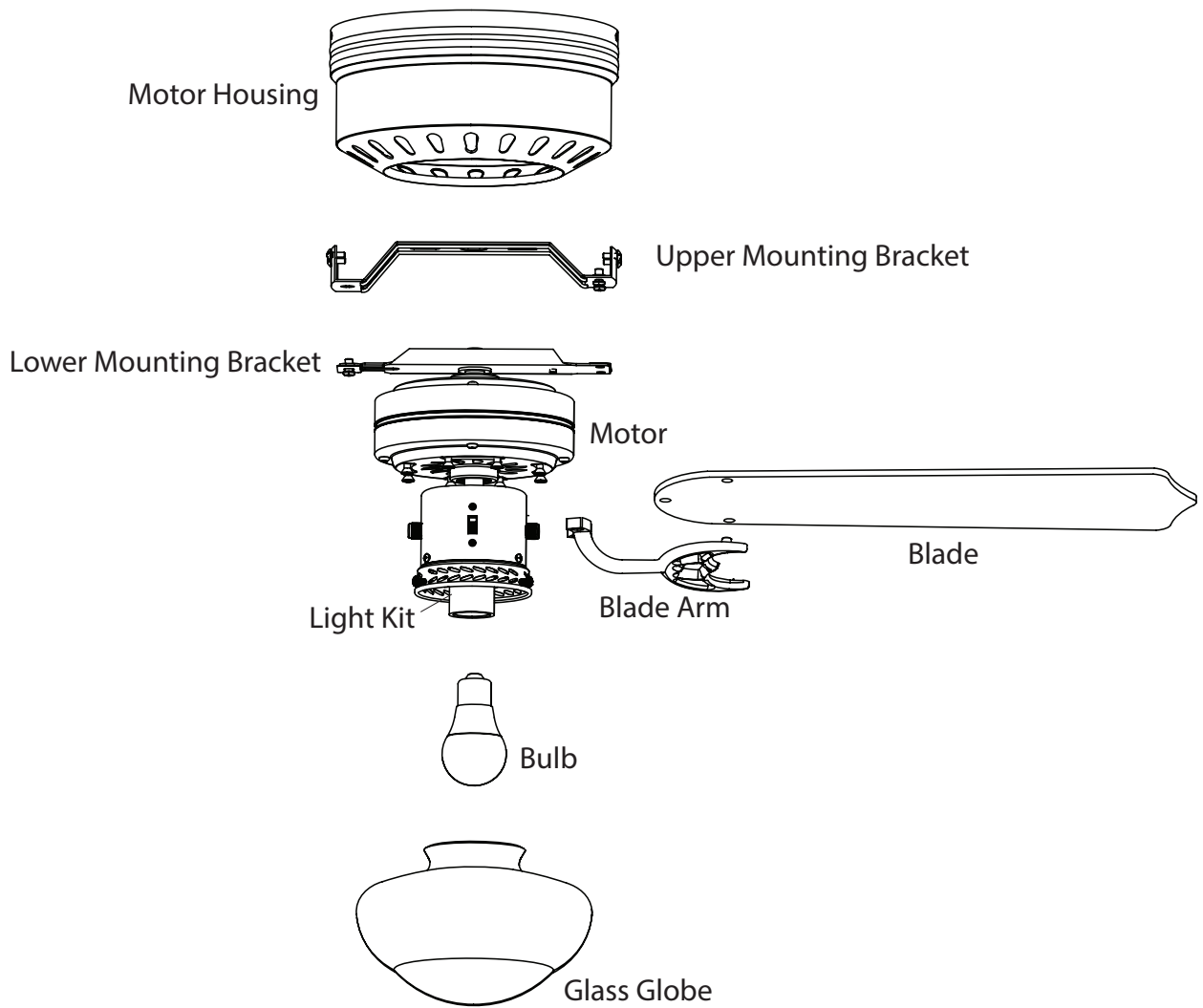
## TOOLS REQUIRED (not included)



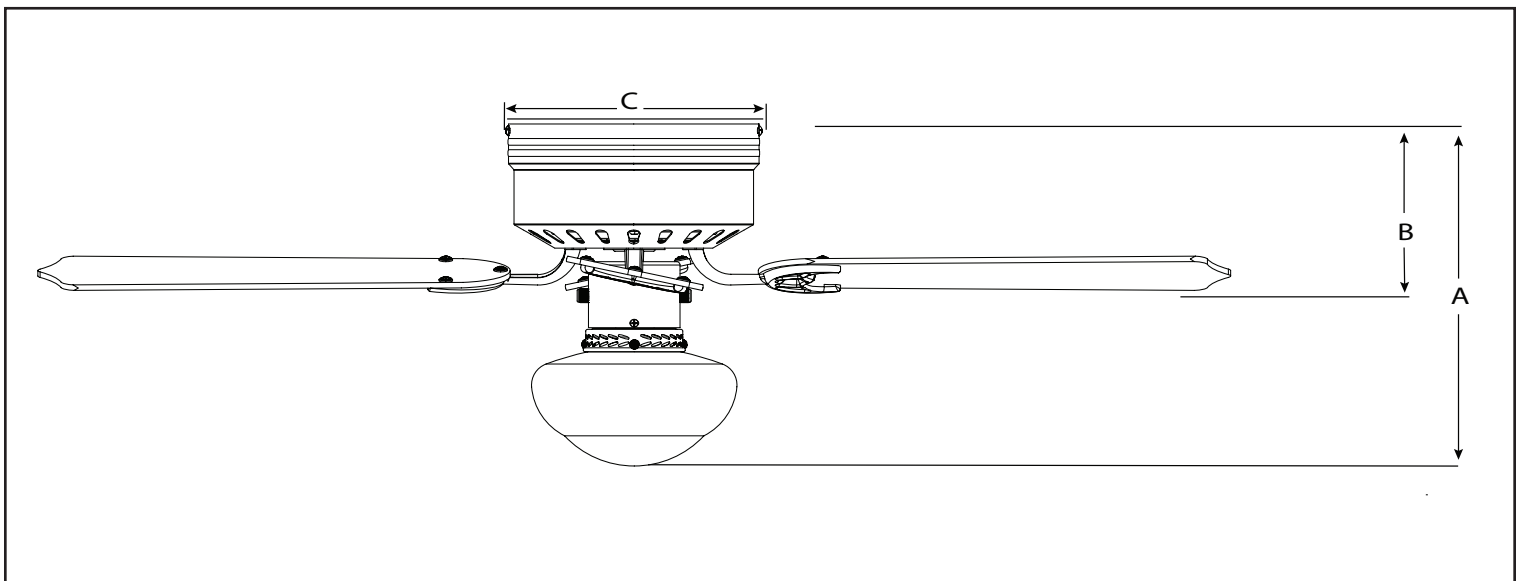
**Tools required for assembly:** Electrical tape, Phillips Screwdriver, Pliers, Safety Glasses, Step Ladder, Wire Cutters and Wire Strippers

**Helpful Tools:** AC Tester Light, Tape Measure, and Wiring Handbook

## EXPLODED VIEW DETAIL



## DIMENSION REFERENCE



A. 11.72 in. B. 5.44 in. C. 8.81 in.

## SAFETY INSTRUCTIONS

READ ALL SAFETY INFORMATION AND INSTALLATION INSTRUCTIONS BEFORE YOU BEGIN INSTALLING THE FAN AND SAVE INSTRUCTIONS.

### CAUTION:

- All set screws of the fan must be checked and retightened where necessary before installation.
- To reduce the risk of personal injury, do not bend the blade brackets when installing the brackets, balancing the blades or cleaning fan. Do not insert foreign objects in between rotating fan blades.
- Before changing the fan direction, turn off the fan and wait for the fan blades to stop completely.
- The safeguards provided by these safety instructions and by the separate installation instructions are not meant to cover all possible conditions and situations that may occur. It must be understood that common sense, caution and care are factors which can not be built into this product. These factors must be supplied by the person(s) installing, caring for and operating the fan.
- The fan weight is Net Weight: 10.74 lbs (4,87 kg). Be sure the outlet box (not included) is securely attached to the building structure and is marked "Acceptable For Fan Support". Failure to do so can result in serious injury.
- This device complies with part 15 of the FCC Rules. Operation is subject to the following two conditions: (1) This device may not cause harmful interference, and (2) this device must accept any interference received, including interference that may cause undesired operation.
- This equipment has been tested and found to comply with the limits for a Class B digital device, pursuant to Part 15 of the FCC Rules. These limits are designed to provide reasonable protection against harmful interference in a residential installation. This equipment generates, uses and can radiate radio frequency energy and, if not installed and used in accordance with the instructions, may cause harmful interference to radio communications. However, there is no guarantee that interference will not occur in a particular installation. If this equipment does cause harmful interference to radio or television reception, which can be determined by turning the equipment off and on, the user is encouraged to try to correct the interference by one or more of the following measures:
  - Reorient or relocate the receiving antenna.
  - Increase the separation between the equipment and receiver
  - Connect the equipment into an outlet on a circuit different from that to which the receiver is connected.
  - Consult the dealer or an experienced radio/TV technician for help.

Please note changes or modifications not expressly approved by the party responsible for compliance could void the user's authority to operate the equipment.

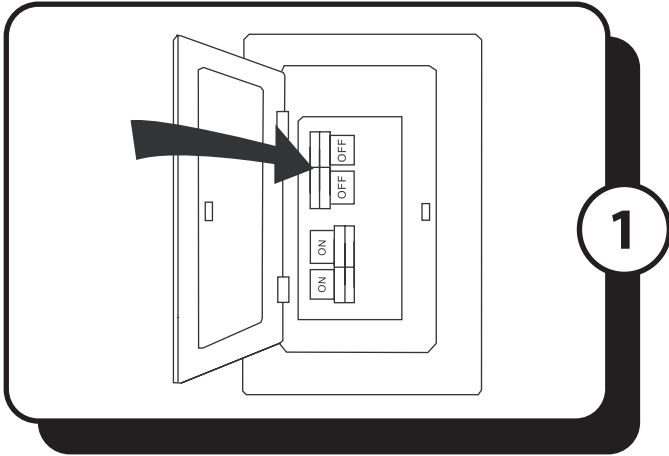
HKC-US  
3350 Player's Club Parkway, #225  
Memphis, TN 38125  
1-877-706-3267

## SAFETY INSTRUCTIONS

### WARNING:

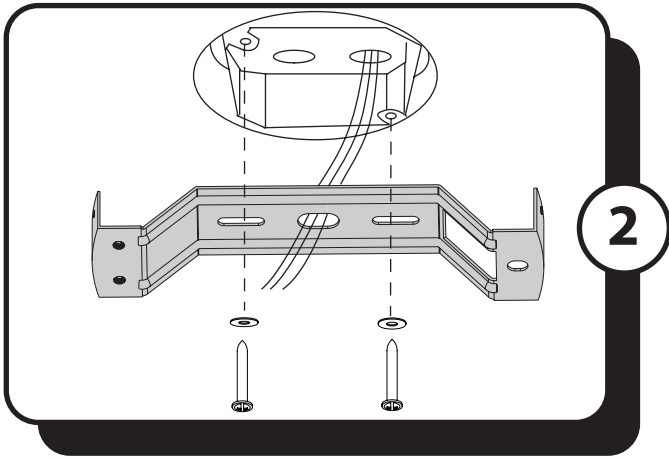
- To avoid risk of electric shock, be sure to shut off power at the main fuse or circuit breaker box before installing or servicing this fixture. Turning off the electrical power by using the light switch is not sufficient to prevent electrical shock.
- To reduce the risk of injury, install the fan so that the blades are at least 7 feet (2.1 Meters) above the floor and at least 18 inches (0.5 Meters) from the tip of the blades to the wall.
- To reduce the risk of fire, electric shock, or personal injury, mount to outlet box marked "acceptable for fan support" and use mounting screws provided with the outlet box.
- The installation has to be in accordance with the national electrical code, ansi/nfpa 70-1999 and local codes. If you are unfamiliar with the methods of installing electrical wiring, seek the services of a qualified licensed electrician.
- Using a full-range dimmer switch to control fan speed will cause a loud humming noise from the fan. To reduce the risk of fire or electric shock, do NOT use a full-range dimmer switch to control the fan speed.

## ASSEMBLY INSTRUCTIONS



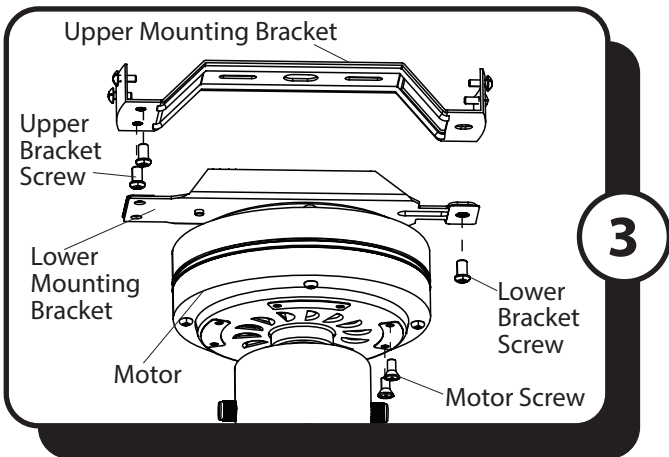
1. Turn OFF the electrical power at the main fuse or circuit breaker.

**DANGER:** Failure to disconnect the power supply prior to installation may result in serious injury or death.

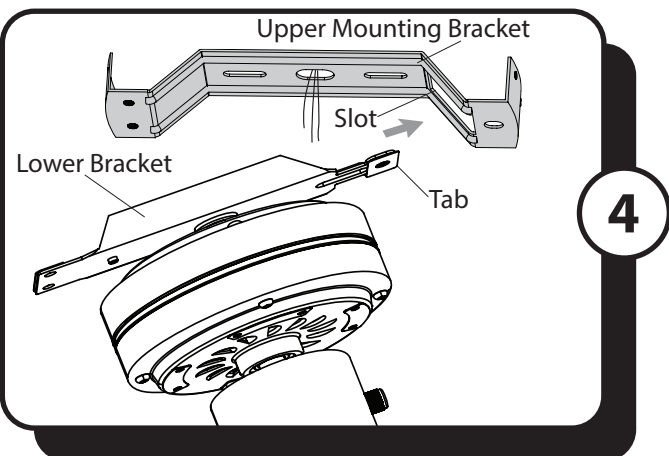


2. Secure the upper mounting bracket to the outlet box using screws, spring washers, provided with the outlet box (not included).

**Note:** It is very important that you use the proper hardware when installing the upper mounting bracket as it will support the fan.

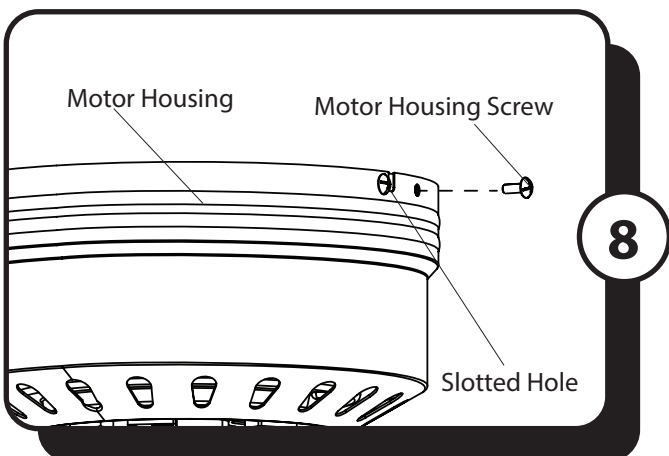
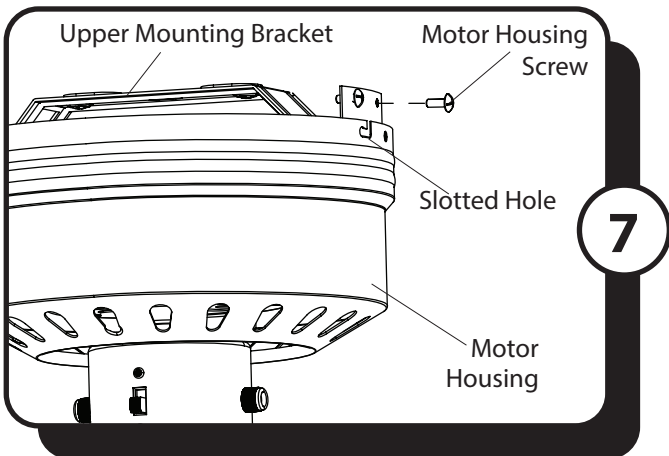
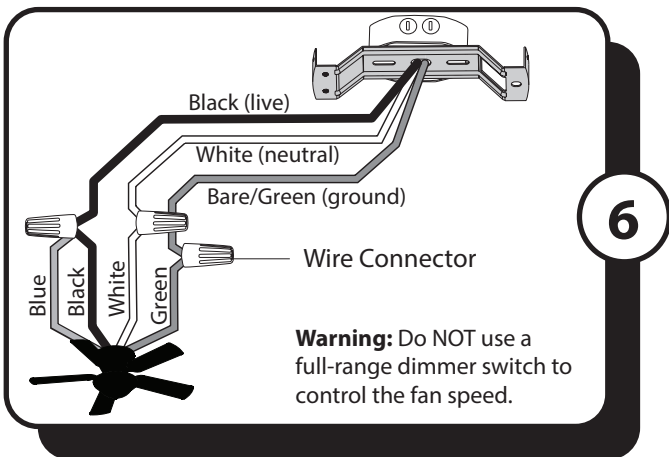
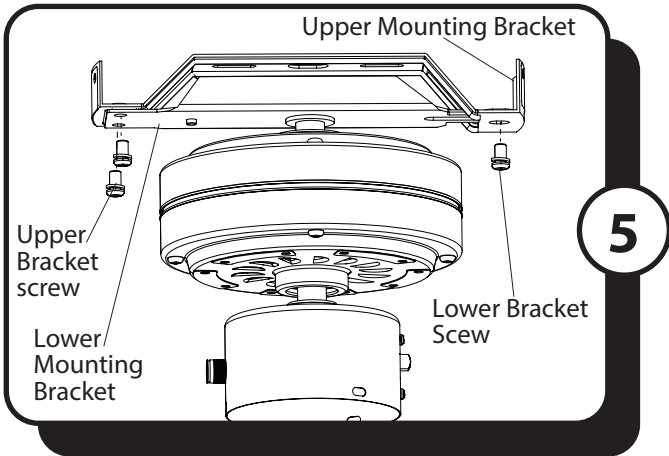


3. Remove the preassembled lower bracket screw from the lower mounting bracket and the upper bracket screws from the upper mounting bracket. Remove the motor screws and set aside for later.



4. Place one tab of the lower bracket into a large slot in the upper mounting bracket.

## ASSEMBLY INSTRUCTIONS



5. Reinstall the previously removed lower bracket screw and upper bracket screws to secure the lower mounting bracket to the upper mounting bracket.

6. Use wire connectors to connect the fan wires to the power supply wires according to the wiring diagram and the following instructions:

- Connect the green wire from the lower bracket to the bare/green (ground) supply wire.
- Connect the white wire from the fan to the white (neutral) supply wire.
- Connect the black and blue wires from the fan to the black (hot) supply wire.

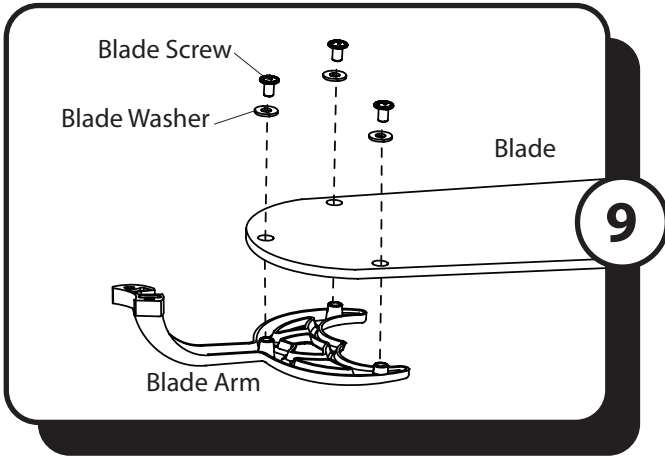
**Note:** If there is a second hot/power wire coming from the outlet box, connect it to the blue (light power) fan wire for separate light and fan control.

**Important:** After the connections have been made, the wires should be turned upward and pushed carefully up into the outlet box. Place the black and white wire connections on opposite sides of the outlet box.

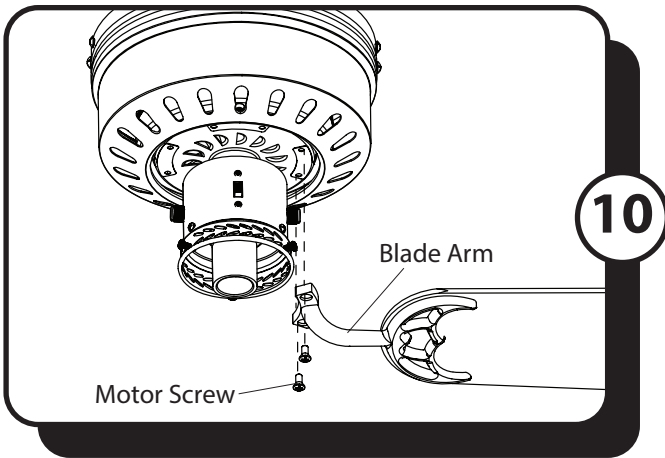
7. Temporarily lift the motor housing to the upper mounting bracket to determine which two motor housing screws in the sides of the upper mounting bracket align with the slotted holes in the top edge of the motor housing. Partially loosen the two motor housing screws that align with the slotted holes. Remove the other two motor housing screws from opposite sides of the upper mounting bracket.

8. Slide the motor housing over the motor, aligning the slotted holes in the motor housing with the loosened motor housing screws in the upper mounting bracket. Twist the motor housing to lock. Then re-insert the two previously removed motor housing screws and securely tighten all screws.

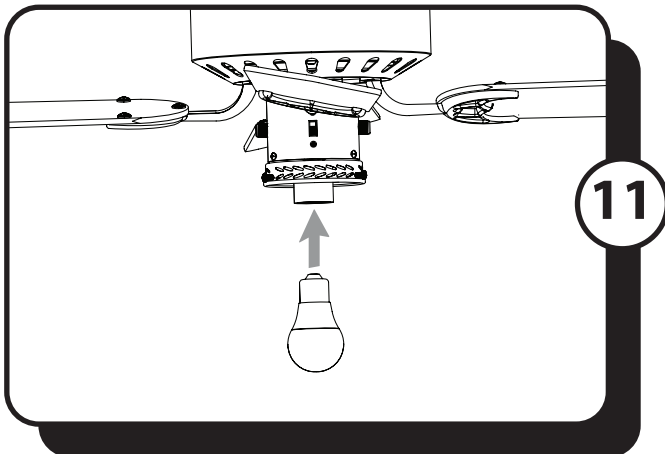
## ASSEMBLY INSTRUCTIONS



9. Partially insert the blade screws along with the blade washers through the blade and into the blade arm. Tighten each blade screw with a Phillips screwdriver, starting with the one in the middle. Repeat this step for the remaining blades and blade arms.

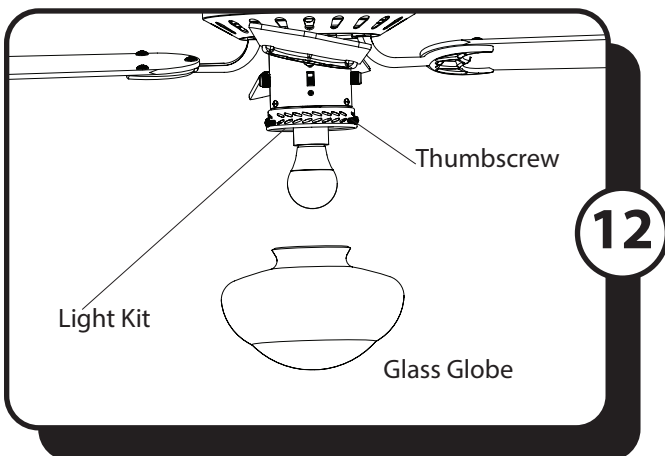


10. Install the blade arm to the underside of the motor assembly with motor screws previously removed (Step 3, page 6). Tighten with Phillips screwdriver (not included). Repeat for each blade arm.



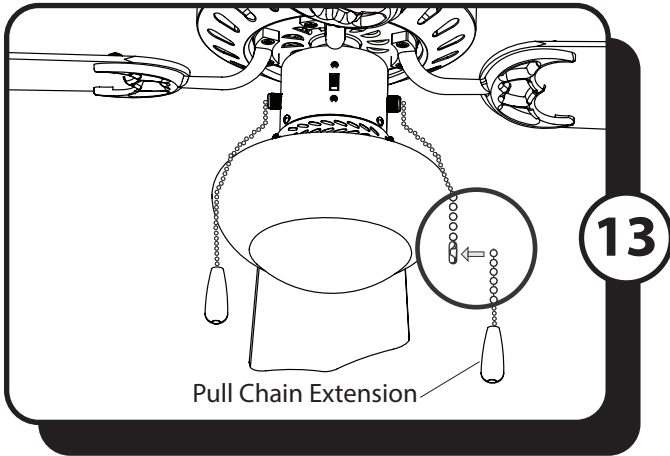
11. Install the E26-base LED bulb into the socket of the light kit.

**Important:** Make sure you allow the bulbs and light kit to cool before you replace the bulbs.



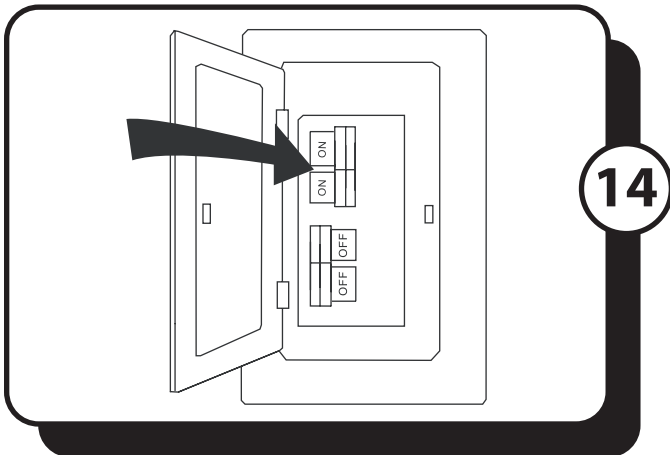
12. Loosen the three thumbscrews near the bottom of the light kit. Lift the glass globe into the light kit and re-tighten the previously loosened thumbscrews to secure.

## ASSEMBLY INSTRUCTIONS



13. Attach pull chain extensions to the pull chains.

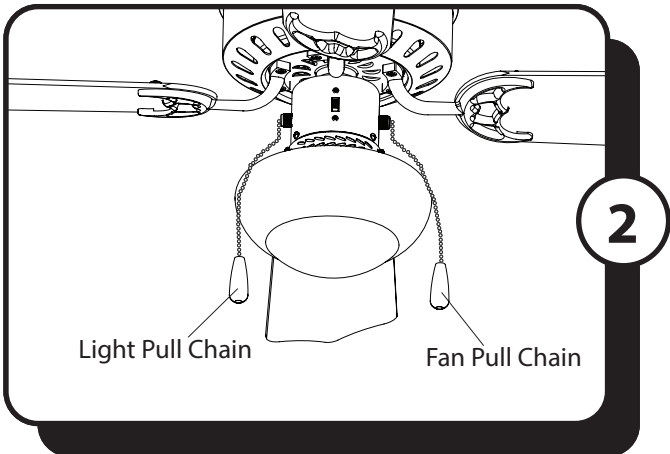
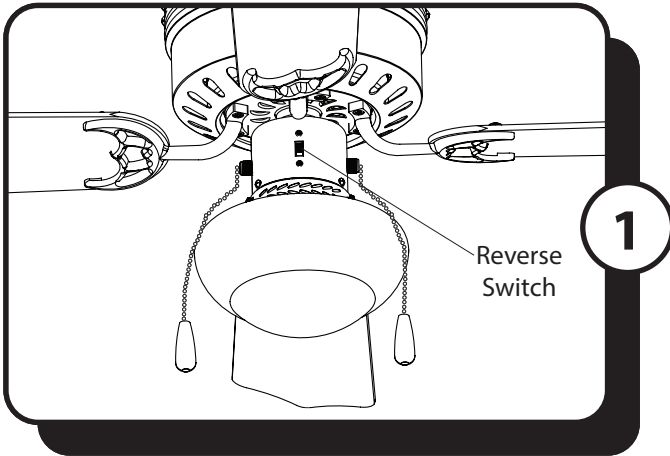
**Note:** When facing the reverse switch, the pull chain on the left controls the light and the pull chain on the right controls the fan.



14. Restore the power at the main fuse or circuit breaker.

Assembly is complete.

## OPERATING INSTRUCTIONS



1. Using a ceiling fan will allow you to raise your thermostat setting in summer and lower your thermostat setting in winter without feeling a difference in your comfort.

**In warmer weather**, push the reverse switch down which will result in downward airflow creating a wind chill effect.

**In cooler weather**, push the reverse switch up which will result in upward airflow that can help move stagnant, hot air off the ceiling area.

**Important:** Wait for the fan to stop before moving the reverse switch. The reverse switch must be set either completely up or down in order for the fan to function correctly. If the reverse switch is set in the middle position, the fan will not operate.

2. The fan pull chain has four positions to control the fan speed. One pull is HIGH, two is MEDIUM, three is LOW, and four turns the fan OFF.

The light pull chain turns the lights ON and OFF.

## TROUBLESHOOTING

If you have difficulty operating your new ceiling fan, it may be the result of incorrect assembly, installation or wiring. In some cases, these installation errors may be mistaken for defects. If you experience any faults, please check the Troubleshooting section below. If a problem cannot be remedied or you are experiencing difficulty in installation, please contact the Service Department: 1-877-706-3267, 8 a.m.-5 p.m. Central, Monday-Friday.

### PROBLEM

### SUGGESTED REMEDY

**WARNING:** To reduce the risk of fire, electrical shock or personal injury, shut off the power supply to fan before you begin any maintenance tasks.

- |                         |   |
|-------------------------|---|
| 1. Fan does not start:  | <ol style="list-style-type: none"><li>1. Make sure that the wall switch is turned ON.</li><li>2. Check main and branch circuit fuses or circuit breakers.</li><li>3. Check all wire connections from household supply wires to the fan.</li><li>4. Make sure forward/reverse switch pushed completely up or down. Fan will not operate when switch is in the middle.</li></ol>  |
| 2. Fan is noisy:        | <ol style="list-style-type: none"><li>1. Make sure all screws in motor housing are snug, but not overtightened.</li><li>2. Make sure the screws that attach the blade arms to the motor are tight.</li><li>3. Make sure wire connectors are not rattling against each other or against the interior wall of the switch housing.</li><li>4. Some fan motors are sensitive to signals from Solid State variable speed controls. DO NOT USE a Solid State variable speed control.</li><li>5. Ensure fan does not wobble excessively (see Fan wobbles solutions below).</li></ol>                       |
| 3. Fan wobbles:         | <ol style="list-style-type: none"><li>1. Ensure the mounting bracket is tightened securely to outlet box and outlet box is mounted firmly to ceiling joist.</li><li>2. Ensure all blades are screwed firmly into blade arms.</li><li>3. Ensure all blade arms are tightened securely to motor.</li><li>4. Switch one blade with a blade from the opposite side. Or balance the fan using the blade balancing kit.</li><li>5. If blade wobble is still noticeable, interchanging two adjacent (side by side) blades can redistribute the weight and possibly result in smoother operation.</li></ol> |
| 4. Light does not work: | <ol style="list-style-type: none"><li>1. Check for loose or disconnected 9-pin and/or single-pin connectors in switch housing or light kit.</li><li>2. Ensure the blue wire from fan is connected to hot power supply wire.</li><li>3. Check for faulty light bulbs.</li><li>4. Ensure total wattage of bulbs does not exceed 180 watts (for incandescent bulbs only).</li></ol>  |

# LIMITED LIFETIME WARRANTY

To obtain Service, please contact the Service Department:  
1-877-706-3267, 8 a.m.-5 p.m. Central, Monday-Friday.

Model Name: 42" Ceiling Fan

Model No: 51489 - Bronze

51490 - Brushed Nickel

51491 - White

Set forth below, the manufacturer, Hong Kong China Electric appliance Company (HKC) warrants the fan motor for this ceiling fan to be free from defects in workmanship and material for the life of the product. Also, subject to the limitations below, HKC warrants all ceiling fan parts ("ceiling fan parts" excludes the motor and parts made in whole or in part with glass) to be free from defects in workmanship and material for a period of one year after the date of purchase by the original purchaser at retail.

All claims must be made by the original purchaser, whether such purchaser purchased the product through a store or contractor. Ceiling fan part defects must be reported within the first year from the date of purchase. Parts made in whole or in part with glass and the finishes of metal and other surfaces are not warranted.

Purchasers are responsible for all costs of removing and reinstalling the product. Any damage to any part caused by ordinary wear and tear, accident, misuse, or improper installation, is not covered by this warranty. HKC assumes no responsibility whatsoever for fan installation. Any service performed by a non-licensed electrician will render the warranty invalid.

HKC's sole responsibility shall be to repair or replace the motor, parts, or product within the terms stated above. HKC shall not be liable for any loss or damage of any kind, including any incidental or consequential damages resulting directly or indirectly, from any breach of warranty, express or implied, or any other failure of this product. Some states do not allow the exclusion or limitation of incidental or consequential damages so this limitation may not apply to you.

If the original purchaser ceases to own the fan, this warranty is voided.

Should the purchaser encounter a problem with your fan related to defects in workmanship or materials within the warranty period associated with the defective part, HKC agrees to replace the defective part without charge, or at its option, to replace the ceiling fan with a comparable or superior model.

HKC's warranties are limited to the written warranties set out in this HKC ceiling fan limited lifetime warranty. All other express and implied warranties, including, without limitation, the implied warranty of fitness for a particular purpose and the implied warranty of merchantability are disclaimed. Some states do not allow the disclaimer of implied warranties, so this disclaimer may not apply to you.