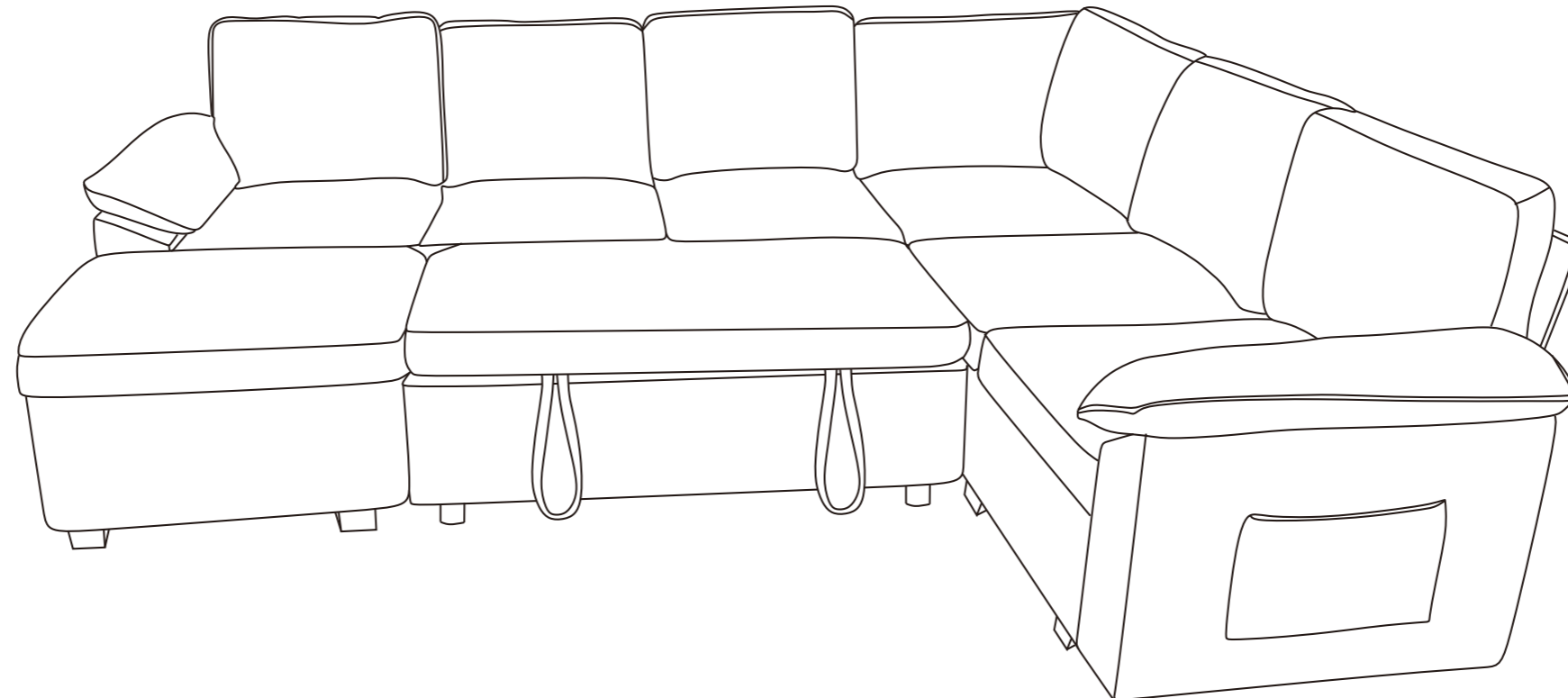


Sofa

Assembly Instruction – Please keep properly for future reference.

If you find any missing boxes, damaged parts, or accessory shortages, please contact the customer service team of your purchasing channel immediately. We will resolve the issue as quickly as possible.



Sofa

V1.0

EN

THE FOLLOWING INFORMATION:

- Order number
- Purchase platform
- Purchase date
- Detailed description of the issue along with photos (if applicable)

Important – Please read these instructions carefully before starting the installation.

Before Assembly



Thank you for choosing our product!

To ensure a smooth installation process, please read this guide carefully to familiarize yourself with the required tools, materials, and installation steps.

Follow the relevant sections to avoid any damage caused by improper installation, and make sure to review all operation and safety guidelines for correct installation procedures.

Packaging Notice:

1. Multi-Box Shipping Notice

This product is packaged in 2 separate boxes for shipping and may arrive in batches at different times. To ensure a smooth assembly process, please make sure all boxes are received before unpacking and starting the installation.

2. Box and Packaging Verification

Each box is labeled with a corresponding number. Please refer to the packing list on the next page of this manual to verify that all boxes have been received.

If you find any missing boxes, damaged parts, or accessory shortages, please contact the customer service team of your purchasing channel immediately. We will resolve the issue as quickly as possible.

Installation Information

- All information in this guide is based on the product's condition at the time of printing. We reserve the right to modify product features, packaging, or availability without prior notice.
- Before installing the furniture, ensure that all necessary electrical or environmental preparations are completed.
- This manual contains important instructions on installation, cleaning, and maintenance. Please read it thoroughly and keep it for future reference.

Pre-Installation Checklist

1. Carefully inspect the new product for any damage or defects.
2. Ensure installation is carried out on a clean, flat surface to maintain balance and stability.

3. Avoid prolonged exposure of the product to damp environments or direct sunlight.
4. Handle with care during installation. Use protective materials (e.g., soft pads) to prevent scratches.
5. For any questions or technical support, refer to the customer service guide and contact the seller's customer service.

Usage and Maintenance Recommendations

1. Clean furniture regularly to maintain hygiene and prevent bacteria growth. Use a damp cloth that has been wrung out to avoid scratching the finish.
2. Avoid contact with acidic or alkaline corrosive liquids.
3. Do not use unauthorized replacement parts. For replacement parts, contact the manufacturer or distributor.
4. Do not machine wash or rinse any part of this product with water.

Safety Warnings



1. Warning Labels:

Do not remove warning labels on the product or packaging, and always follow the related instructions.

2. Regular Inspections:

Regularly check all parts of the product to ensure they are correctly installed, undamaged, and all connectors are securely tightened.

3. Safe Use:

Do not play on or under the sofa, and strictly avoid jumping or any actions that may harm the sofa or users.

4. Rope Hazard:

Do not attach ropes, hooks, straps, or other unintended items to any part of the product.

5. Guide Preservation:

Retain this manual for future reference.

6. Supervisory Responsibility:

Safety is a shared responsibility between the manufacturer and the user. Always adhere to safety guidelines when using the product.

Disclaimer

We are committed to providing safe and reliable products. If you have any questions about this product or require additional support, please contact our customer service team. We are here to assist you.

Customer Service Guide



Thank you for choosing our product! We are committed to providing you with excellent service. If you find any missing parts, damaged packaging, or product damage after receiving all packages, please follow the steps below to quickly contact our customer service team. We will do our best to resolve your issue.

1. Missing Parts

Verify Parts:

1. Refer to the “Parts List” in the manual to verify the name, specifications, and quantity of the missing parts.
2. Take a clear photo of the parts list and mark the missing parts with detailed information, e.g., “Missing 5 pieces of M6×30mm screws.”

Contact Us:**By Email:**

Send an email with the subject line “Missing Parts Issue.” Include the following in the email:

- A description of the missing parts and a photo of the parts list.
- Order details (order number, purchase platform, purchase date).

2. Product or Packaging Damage

If it affects normal use:**Steps:**

1. Take clear photos or videos showing the damaged parts and the extent of the damage (multi-angle shots are recommended).

2. Email the photos/videos along with order details with the subject line “Product Damage Issue.”

Resolution:

After verification, we will arrange for a replacement part, product exchange, or refund as quickly as possible.

If it does not affect normal use:**Steps:**

1. Contact our customer service team.
2. Provide a description of the damage and include relevant photos or videos.

Resolution:

We will provide repair guidance or an appropriate compensation plan based on the specific situation.

Helpful Tips

To process your issue efficiently, please prepare the following information:

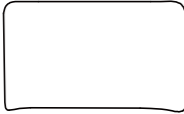
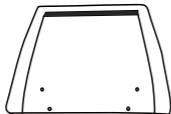


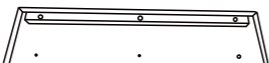
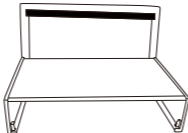
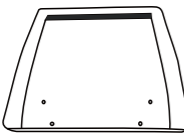
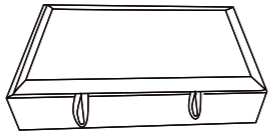
- Order details (order number, purchase platform, purchase date).
- Clear photos or videos.
- We are committed to providing quick and professional solutions, no matter the size of the issue, to ensure your satisfaction.

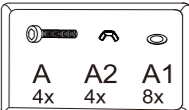
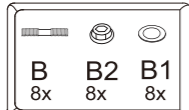
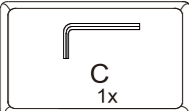
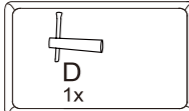
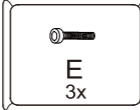
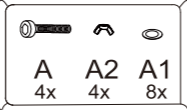
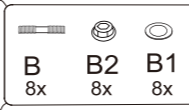
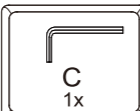
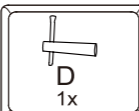
**Thank you for your trust and support!
We hope you enjoy using our product!**

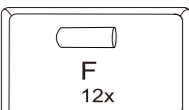
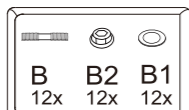
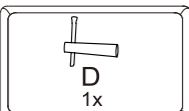
Parts List



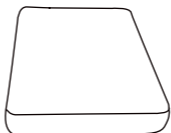
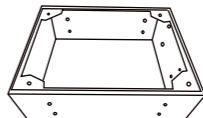


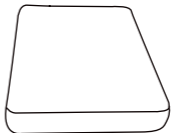
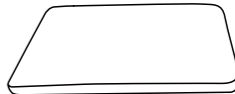



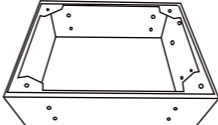
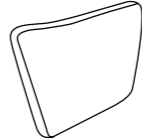
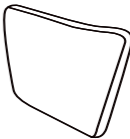
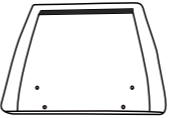
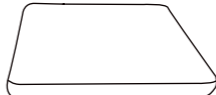

Box 1

 1 x5	 2 x1	 6 x1
 8 x1	 10 x1	 11 x1
 13 x1	 19 x1	

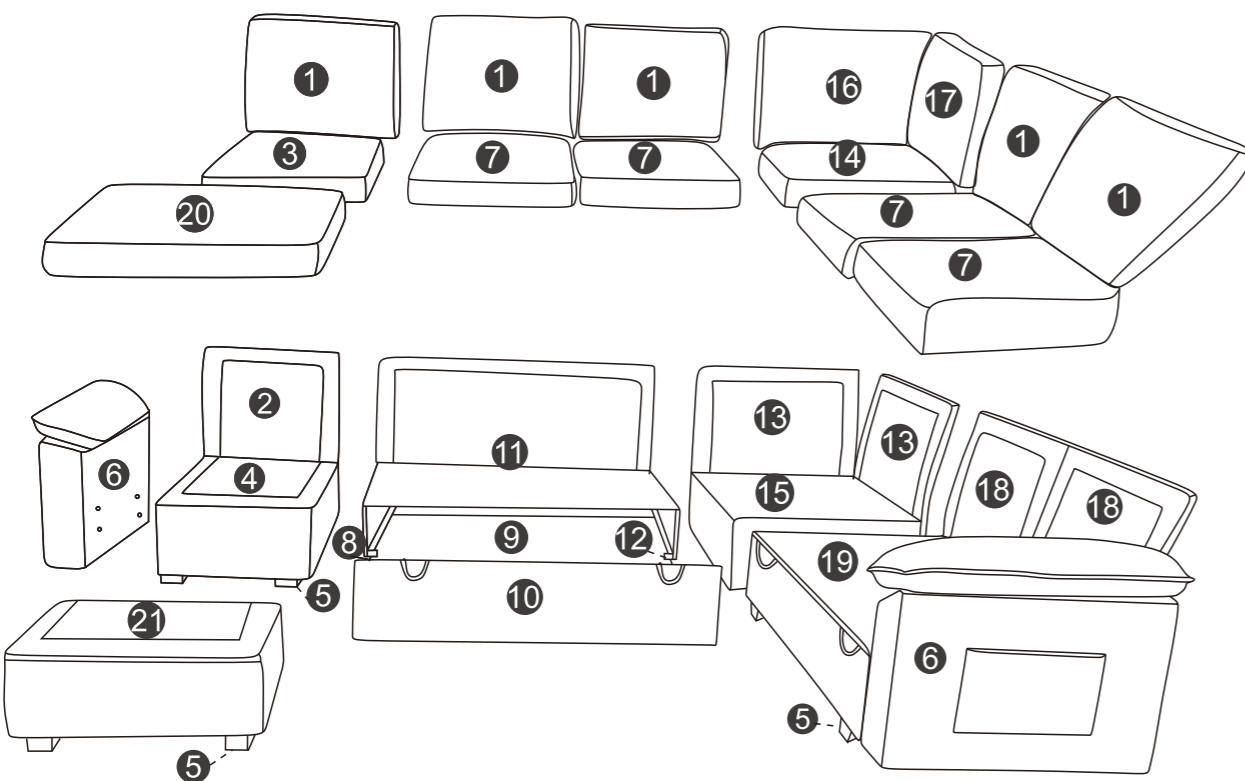
 A 4x A2 4x A1 8x	 B 8x B2 8x B1 8x	 C 1x	 D 1x	 E 3x	 A 4x A2 4x A1 8x	 B 8x B2 8x B1 8x	 C 1x	 D 1x
Left Single Sofa Hardware Kit x1				Corner Sofa Hardware Kit x1				

 F 12x	 B 12x B2 12x B1 12x	 D 1x
Two-Seater Sofa Hardware Kit x1		

Box 2

 3 x1	 4 x1	 5 x16
 6 x1	 7 x4	 9 x1
 12 x4	 13 x1	 14 x1
 15 x1	 16 x1	 17 x1
 18 x2	 20 x1	 21 x1

Combination Instructions



Safety and Care Advice



Important:

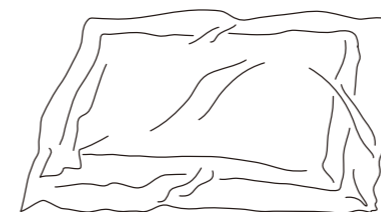
Please read these instructions fully before starting assembly.

Thanks for your purchase.

Before assembling, please follow the instructions to check if all the spare parts and screws are intact.

- Considering the size and weight of the sofa, we recommend 2 adult to assemble the sofa, on a carpeted or padded area, in the room that it is intended for. Approximate assembly time: 30 minutes.
- Please do not throw away any of the packaging or the instruction until all the components and hardware have been checked and the furniture is fully assembled. Please ensure that the packaging is disposed in a safe and environmentally friendly way.
- Keep all components and packaging out of reach of children or animals to avoid the risk of choking or suffocation.
- Please do not take off the cover, and do not wash.

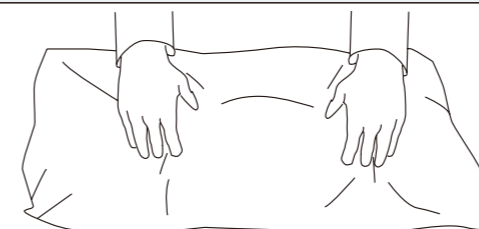
Your cushions come vacuum packed and sealed for shipping. To restore the cushion's original shape, follow the steps below.



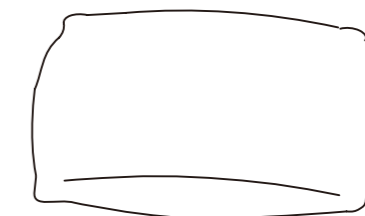
Open the vacuum bag carefully.



Press and tap with both hands from the side to fully inhale air.



Press and tap with both hands from the front to fully inflate.

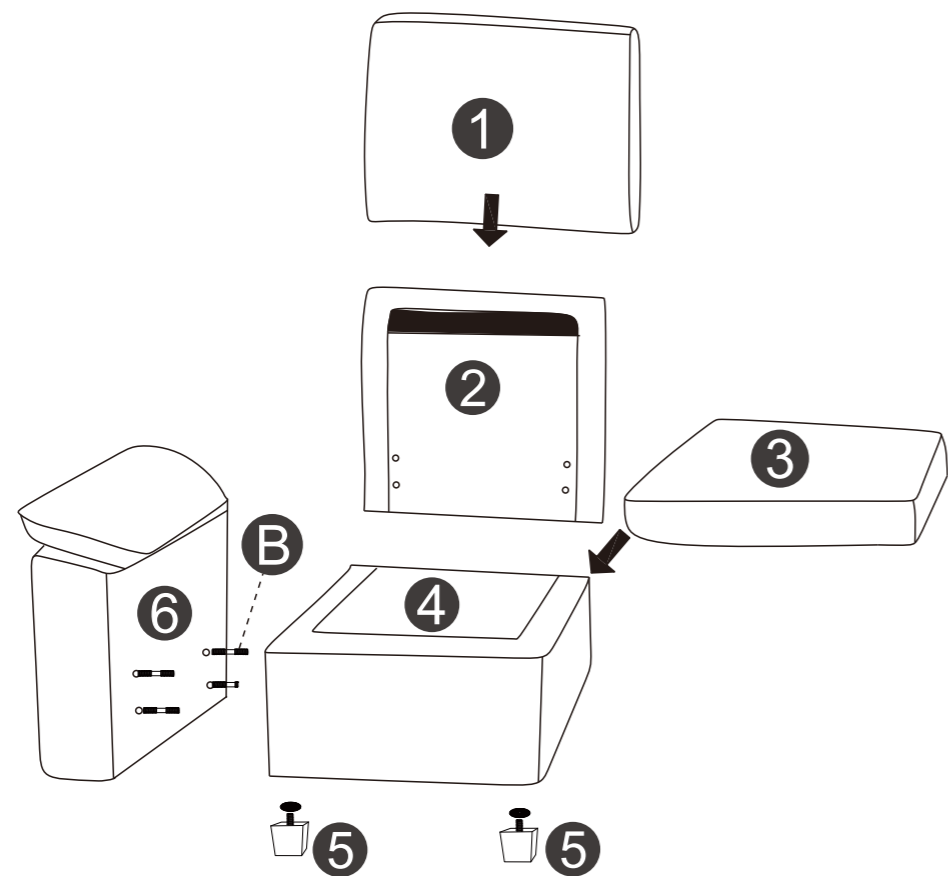


Carefully smooth out each section until the surface is even.

After packing up, place them somewhere dry and ventilated.

After about 72-96 hours, it can be restored to the best-use condition.

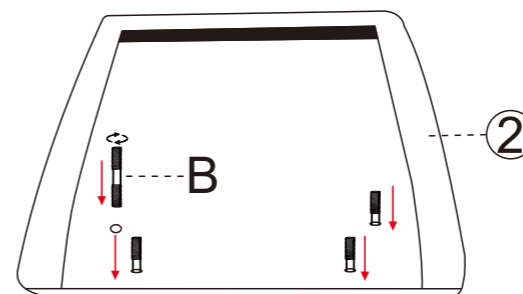
Single instructions



① x1	② x1	③ x1	④ x1
⑤ x4	⑥ x1	B M8x70 x8	B1 x8
B2 x8	D x1		

Single instructions

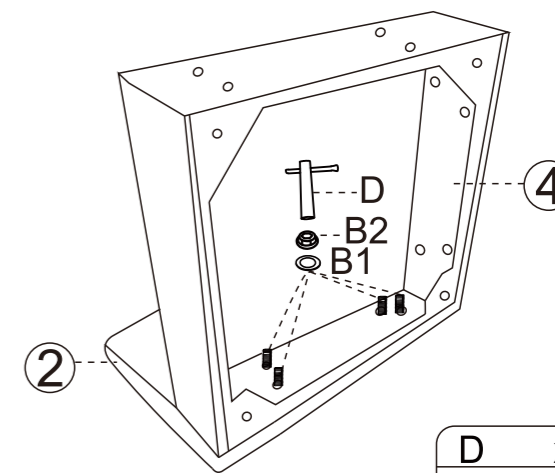
Step 1



B	x4
	8x70

- Insert the double-ended bolts B into Part (2).
- Tighten it until it can no longer be turned.

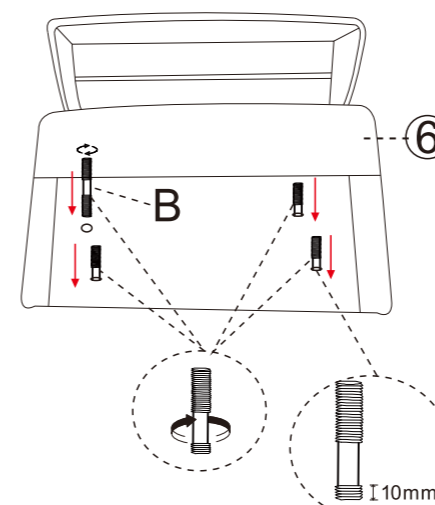
Step 2



D	x1
B1	x4
B2	x4

- Insert bolts B of Part (2) into Part (4).
- Add washer B1 and nut B2, then tighten with wrench D.

Step 3

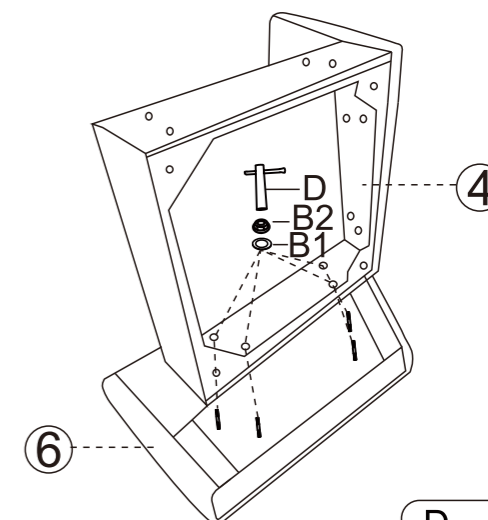


Important: Stop tightening when approximately 0.4 in. of thread remains visible, as shown. Do not tighten fully to the bottom.

B	x4
	8x70

- Screw the double-ended bolt B into the Part (6).

Step 4

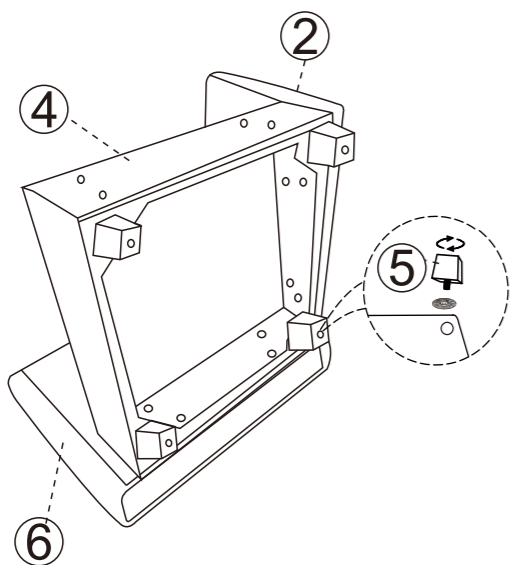


D	x1
B1	x4
B2	x4

- Insert the bolts of Part (6) into the other side of the Part (4).
- Place washer B1 and nut B2, then tighten using the wrench D.

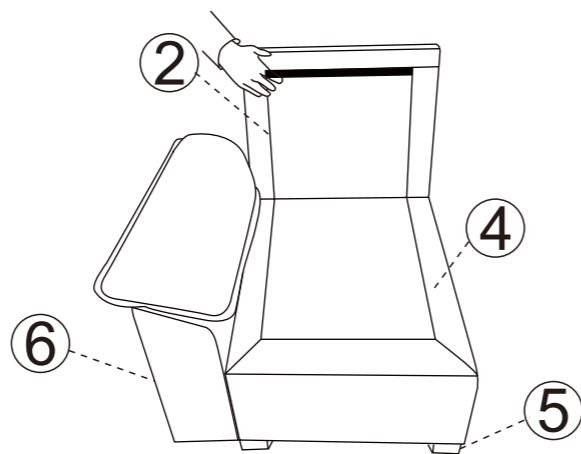
Single instructions

Step 5



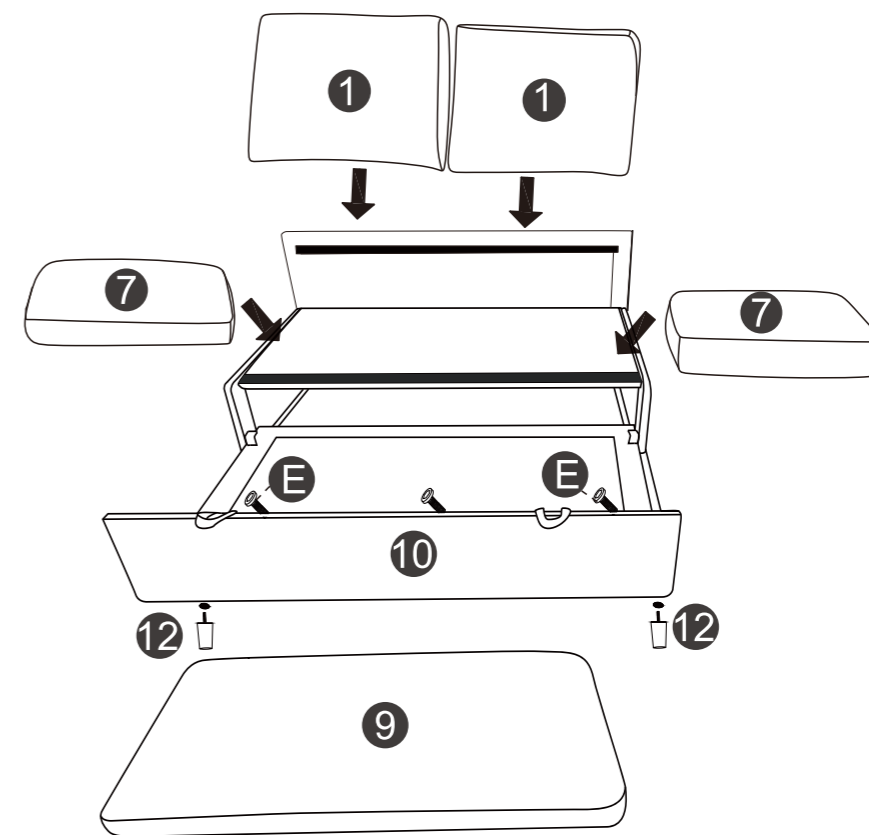
- Insert the Part (5) with the washer into the mounting hole at the bottom of the Part (4).
- Tighten the leg securely.

Step 6



Remove the protective fabric strip from the nylon fastener on Part (2).

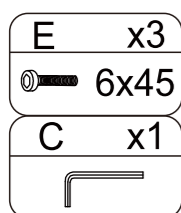
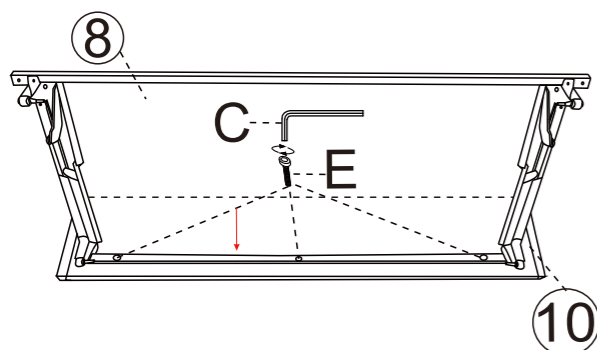
Sofa bed instructions



① x2	⑦ x2	⑧ x1	⑨ x1
⑩ x1	⑪ x1	⑫ x4	E M6x45 x3
C x1			

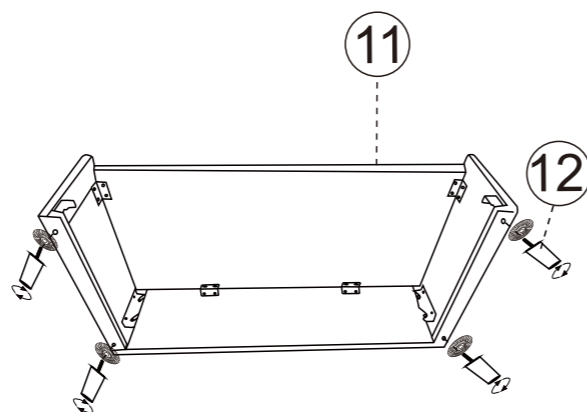
Sofa bed instructions

Step 1



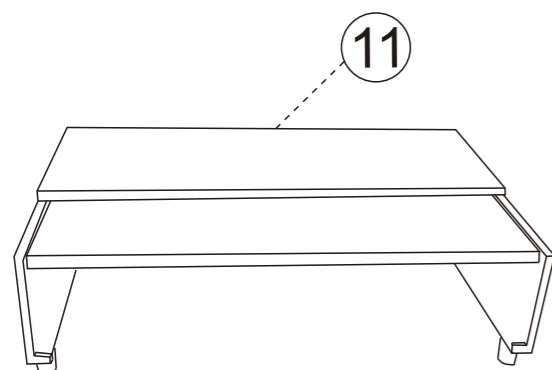
- Connect Part (10) to Part (8) using bolts E.
- Tighten with the wrench C.

Step 2



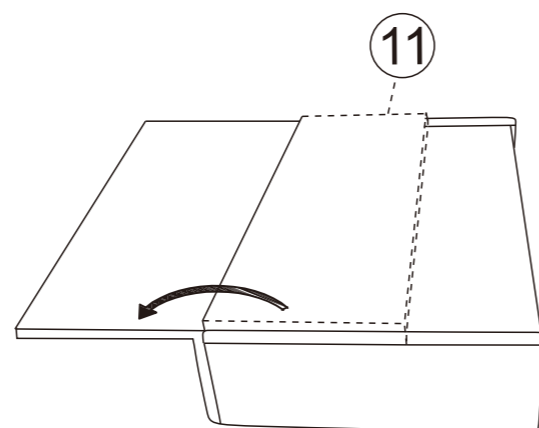
- Insert Part (12) with washers into the mounting holes at the bottom of Part (11).
- Tighten securely.

Step 3



Remove the Part (11) from the packaging, as shown.

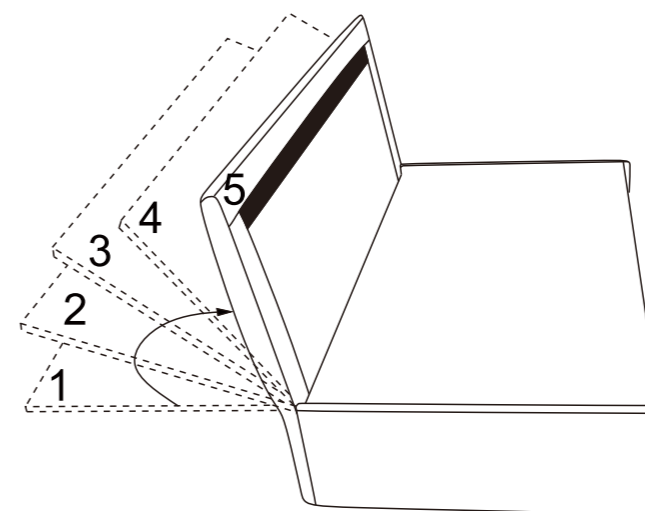
Step 4



- Flip the backrest (11) backward to the initial adjustment position.
- The backrest angle can now be adjusted.

Sofa bed instructions

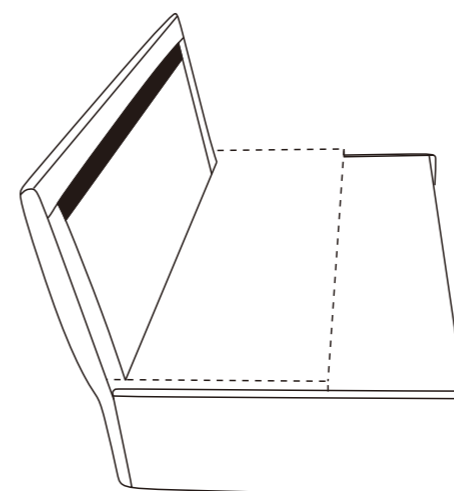
Step 5



- Lift the backrest (11) upward to adjust the angle.
- The backrest has five adjustment positions. Select the desired angle according to your needs.

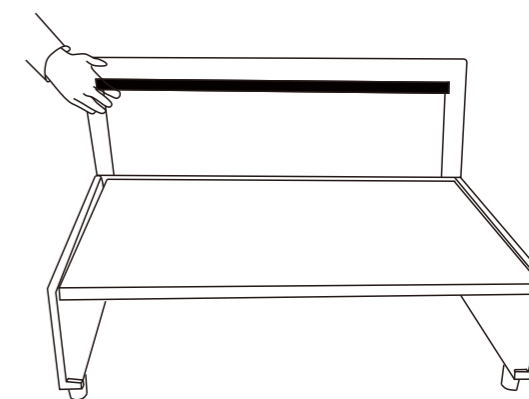
Important: Ensure that the adjustment mechanisms on both sides are engaged in the same position, as shown, to avoid uneven left and right alignment.

Step 6



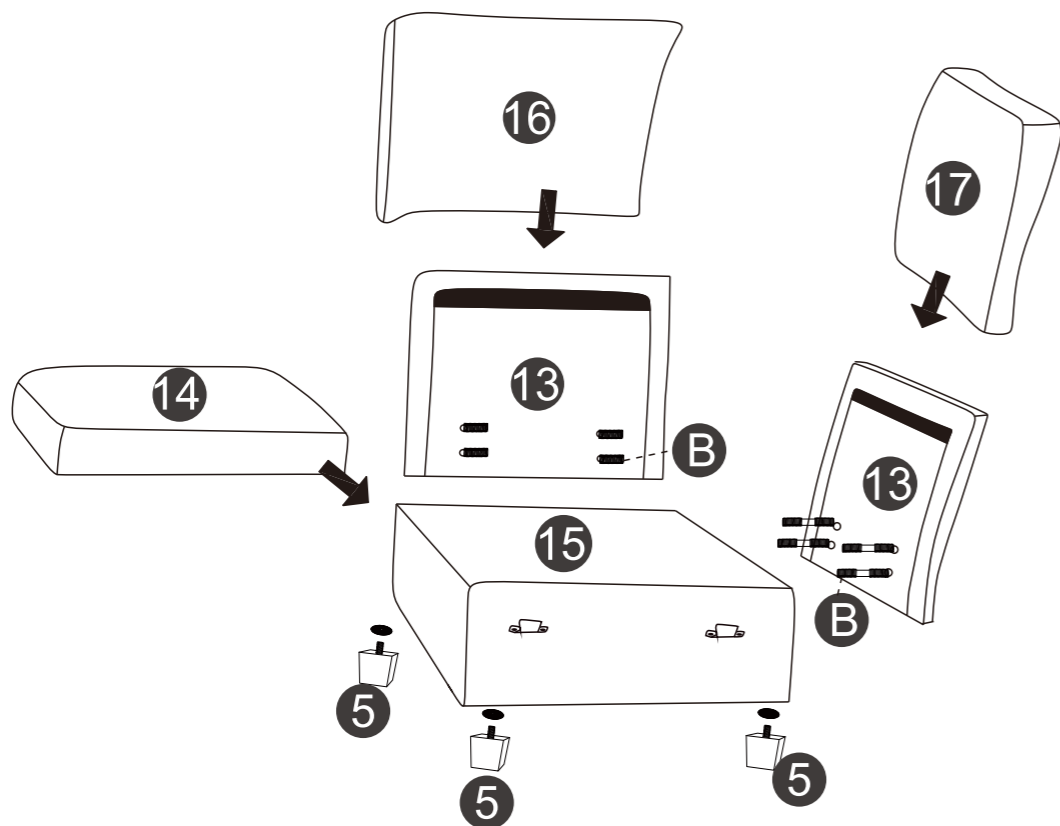
- To readjust the backrest, first push it fully forward to reset it, then push it backward again to the initial adjustment position, as shown.
- Repeat Steps 4 and 5 to complete the adjustment.

Step 7



Remove the protective fabric strip from the nylon fastener on Part (11).

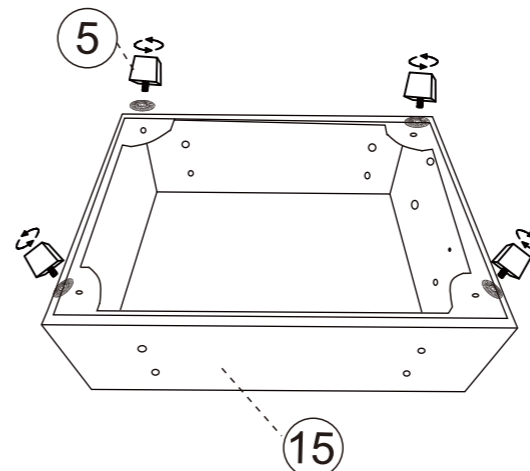
Angle Mounting Instructions



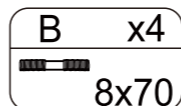
13 x2	14 x1	15 x4	5 x4
16 x1	17 x1	D x1	B M8x70 x8
B1 x8	B2 x8		

Angle Mounting Instructions

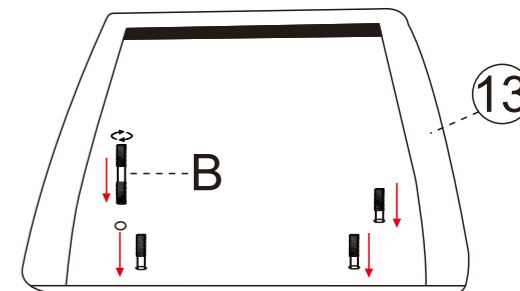
Step 1



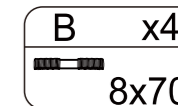
- Insert Part (5) with washers into the mounting holes at the bottom of Part (15).
- Tighten securely.



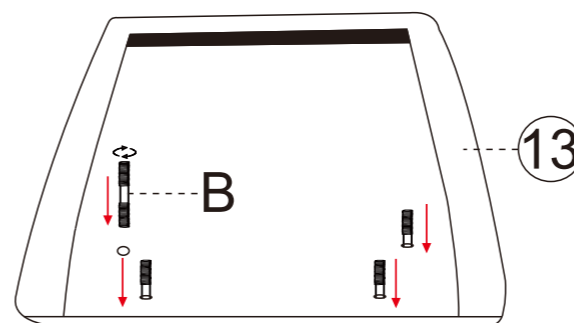
Step 2



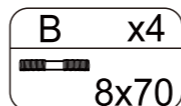
- Insert the double ended bolts B into Part (13).
- Tighten it until it can no longer be turned.



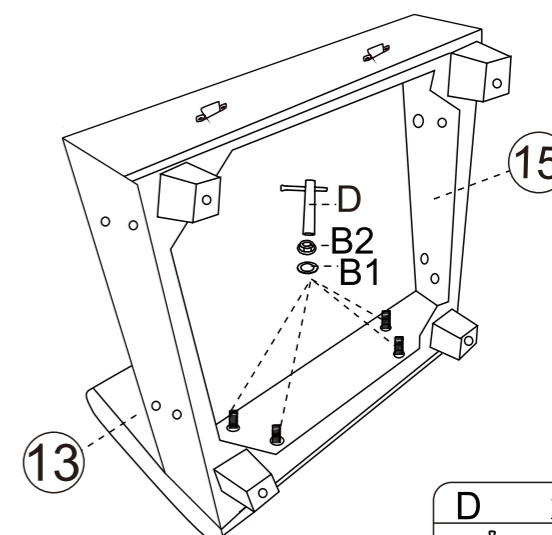
Step 3



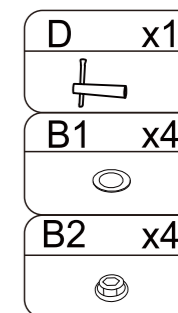
- Insert the double ended bolts B into the other Part (13).
- Tighten it until it can no longer be turned.



Step 4

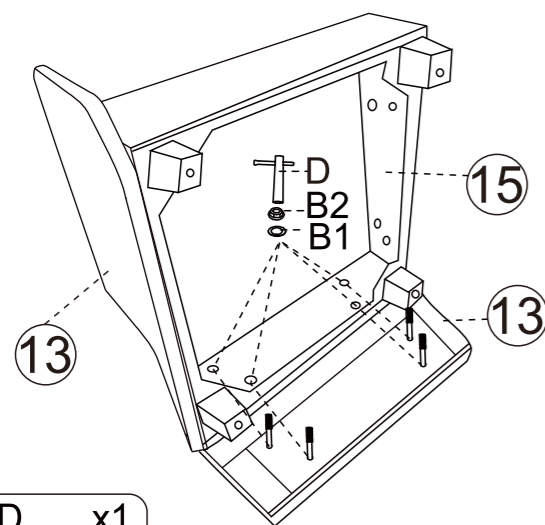


- Insert Part (13) with bolts into Part (15).
- Add washer B1 and nut B2, then tighten with the wrench D.



Angle Mounting Instructions

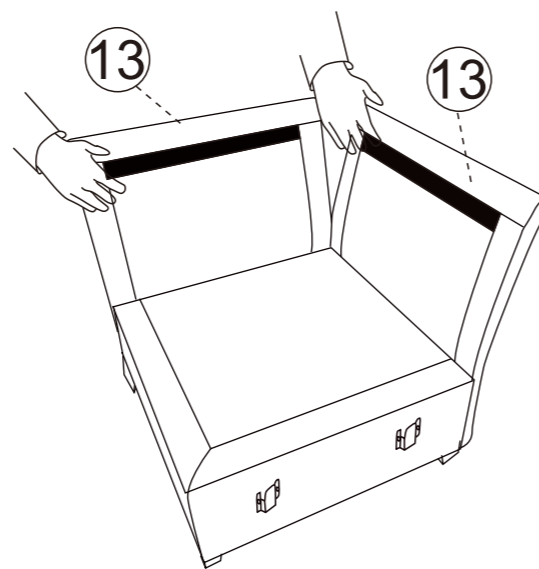
Step 5



D	x1
B1	x4
B2	x4

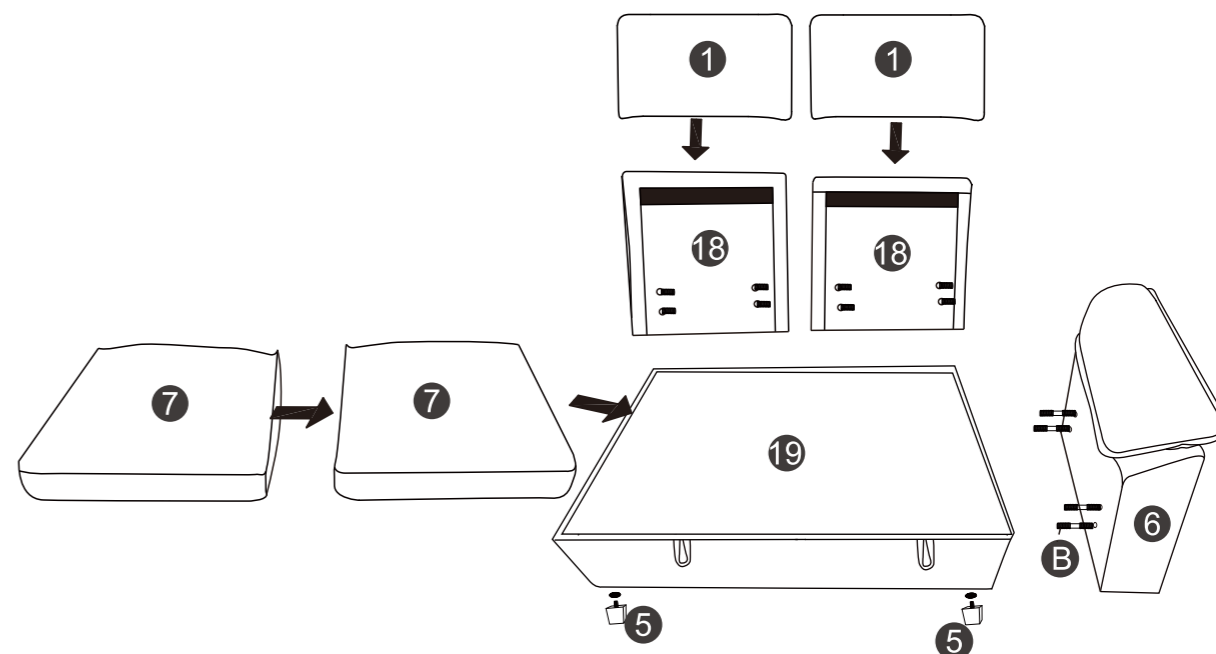
- Attach the other Part (13) to the opposite side of Part (15).
- Add washer B1 and nut B2, then tighten with the wrench D.

Step 6



Remove the protective fabric strip from the nylon fastener on Part (13).

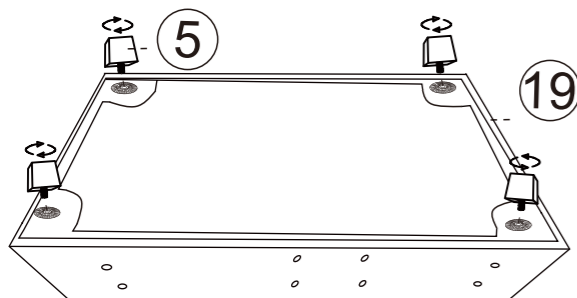
Two-Seat Mounting Steps



① x2	⑱ x2	⑦ x4	⑤ x4
⑲ x1	⑥ x1	D x1	F x12
B M8x70 x12	B1 x12	B2 x12	

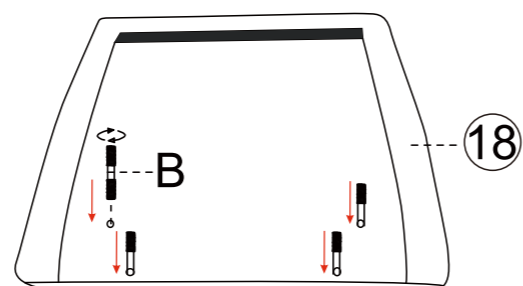
Two-Seat Mounting Steps

Step 1



- Insert Part (5) with washers into the mounting holes at the bottom of Part (19).
- Tighten securely.

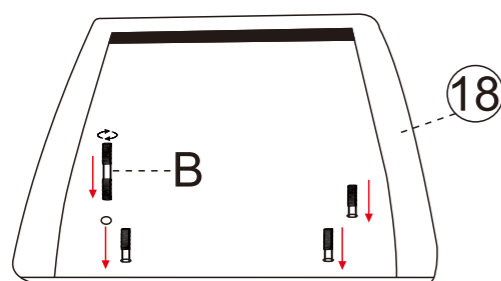
Step 2



- Insert the double ended bolts B into Part (18).
- Tighten it until it can no longer be turned.

B	x4
	8x70

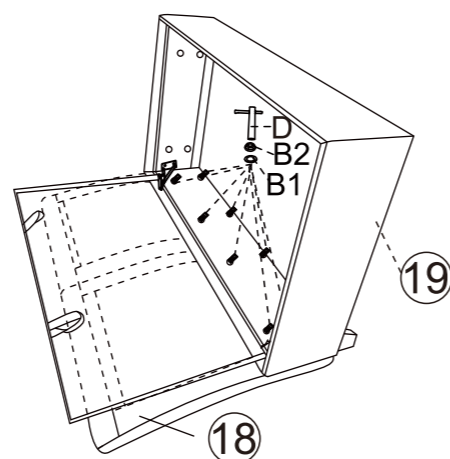
Step 3



- Insert the double ended bolts B into the other Part (18).
- Tighten it until it can no longer be turned.

B	x4
	8x70

Step 4

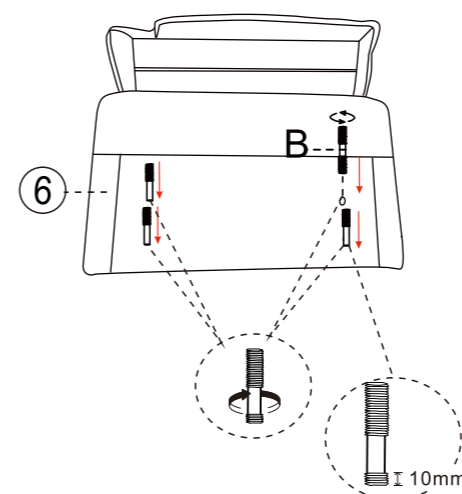


- Lift the seat base of Part (19).
- Insert Part (18) with bolts into Part (19).
- Add washer B1 and nut B2, then tighten with the wrench D.

D	x1
B1	x8
B2	x8

Two-Seat Mounting Steps

Step 5

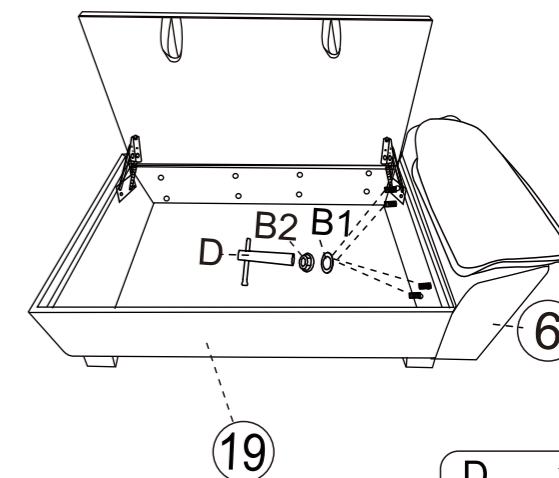


Important: Stop tightening when approximately 0.4 in. of thread remains visible, as shown. Do not tighten fully to the bottom.

- Insert the double-ended bolts B into Part (6).

B	x4
	8x70

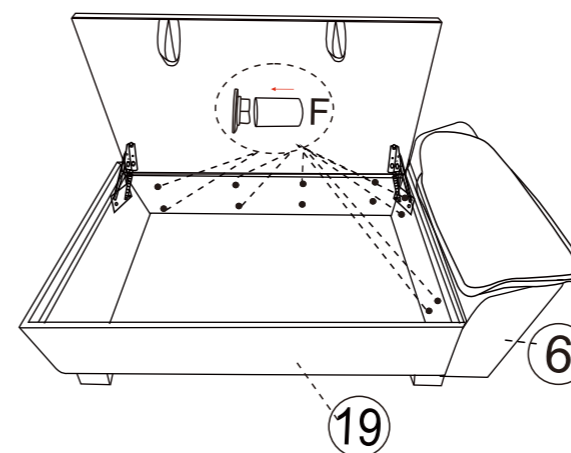
Step 6



- Insert Part (6) into Part (19).
- Add washer B1 and nut B2, then tighten with the wrench D.

D	x1
B1	x4
B2	x4

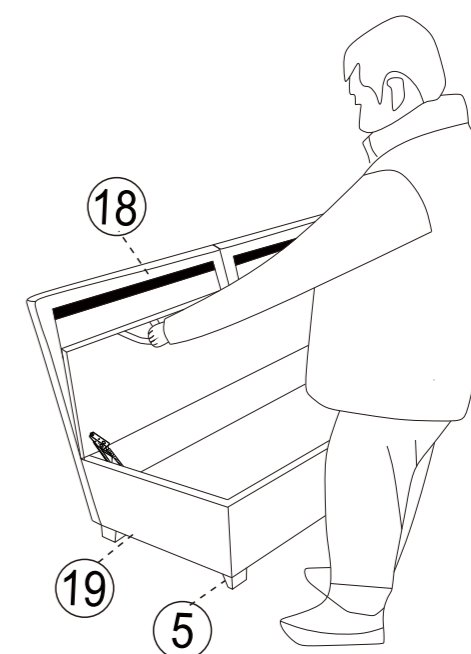
Step 7



- Install the plastic protective caps F onto all exposed bolts inside Part (19) to prevent stored items from being damaged.

F	x12

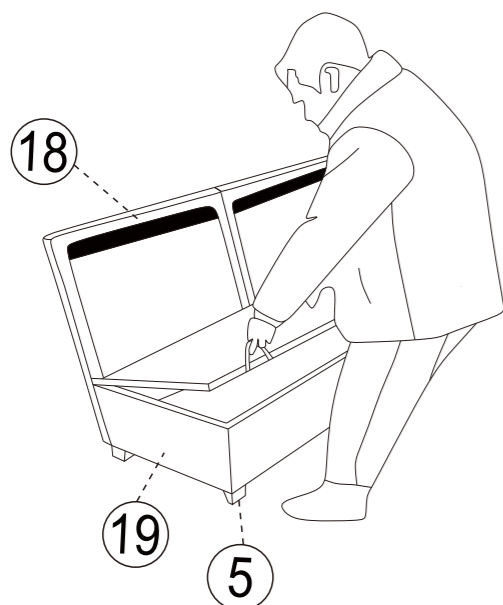
Step 8



The interior of Part (19) can be used for storage.

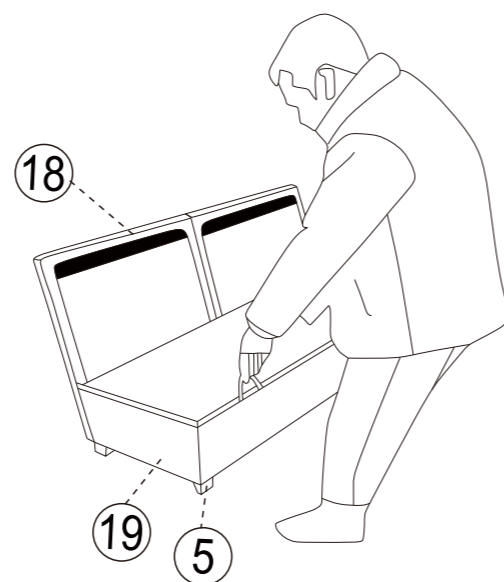
Two-Seat Mounting Steps

Step 9



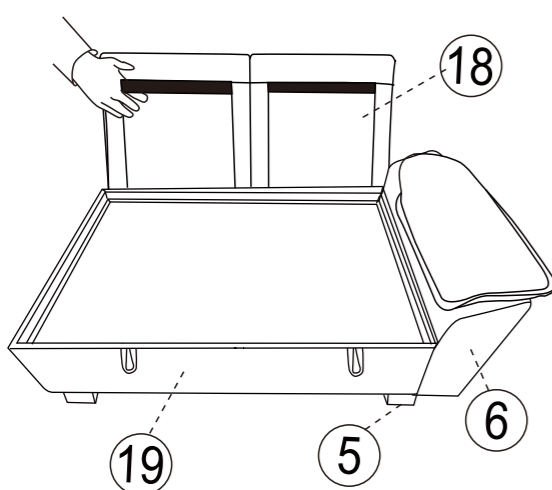
Slowly pull out the seat base of Part (19).

Step 10



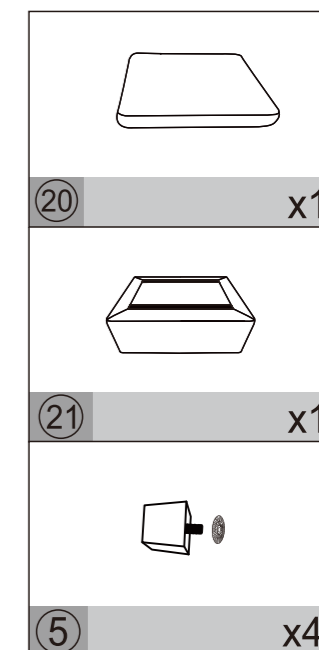
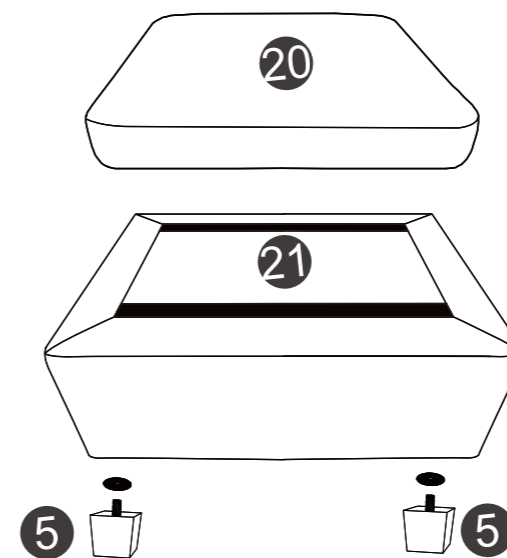
Pull the seat base of Part (19) downward until it is level with the wooden frame.

Step 11

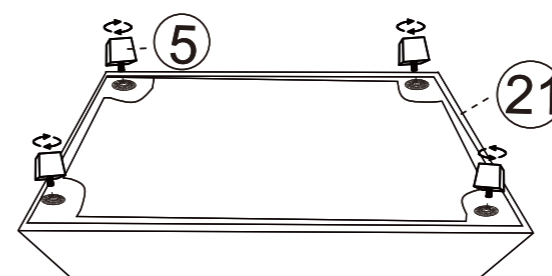


Remove the protective fabric strip from the nylon fastener on Part (18).

Ottoman Instructions

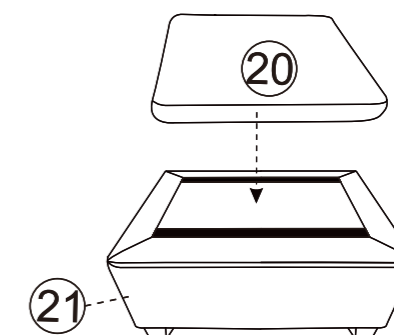


Step 1



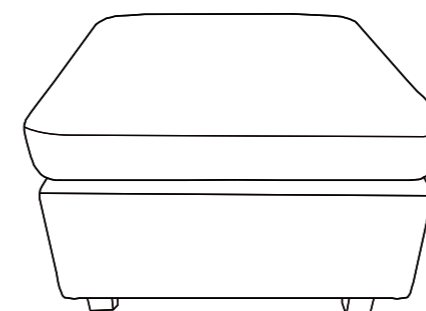
- Insert Part (5) with washers into the mounting holes at the bottom of Part (21).
- Tighten securely.

Step 2



- Remove the protective fabric strip from the nylon fastener on Part (21).
- Place Part (20) onto Part (21) and secure it in place.

Step 3



Ottoman assembly complete.

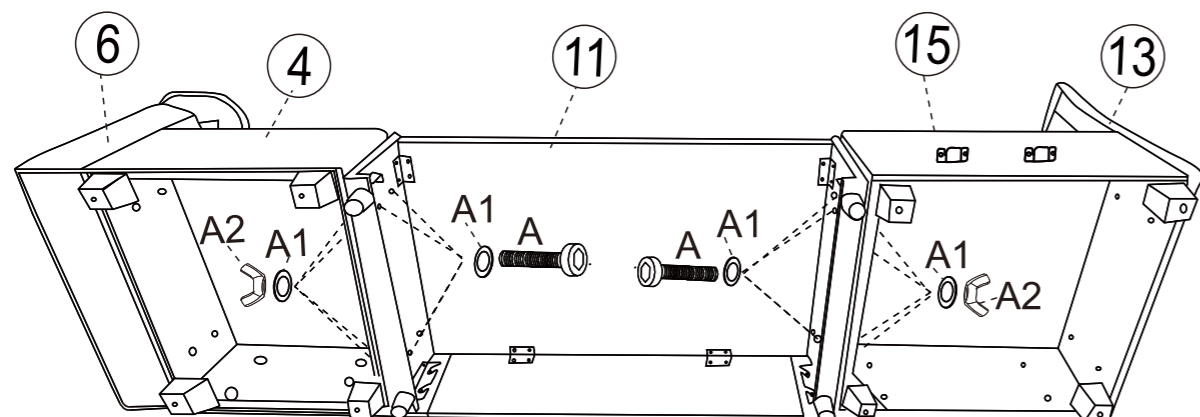
Combination Instructions



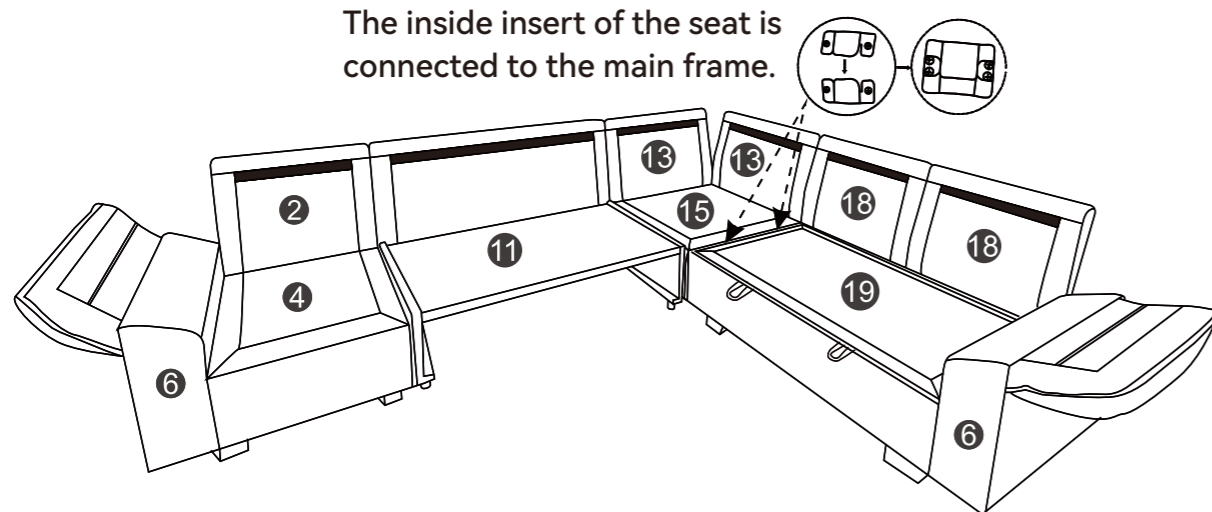
Fixed Seat Mode - Combination Method

For optimal safety and performance, please ensure the mechanism is securely fastened to a stationary sofa.

Warning: Protruding screws toward the pull-out bed section may cause damage to your sofa.

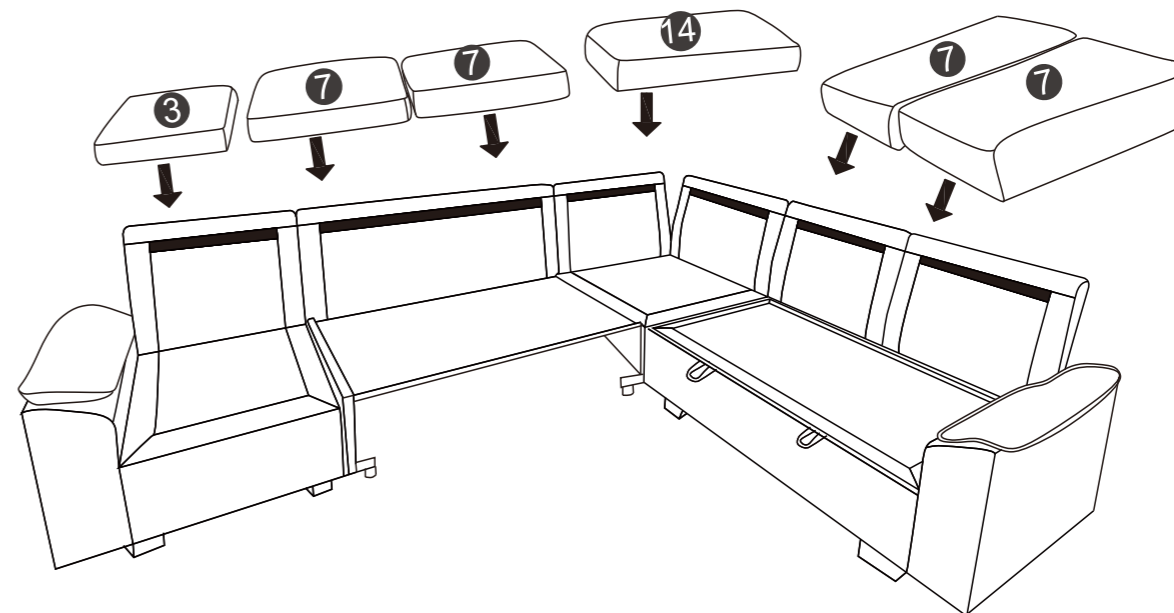


The inside insert of the seat is connected to the main frame.



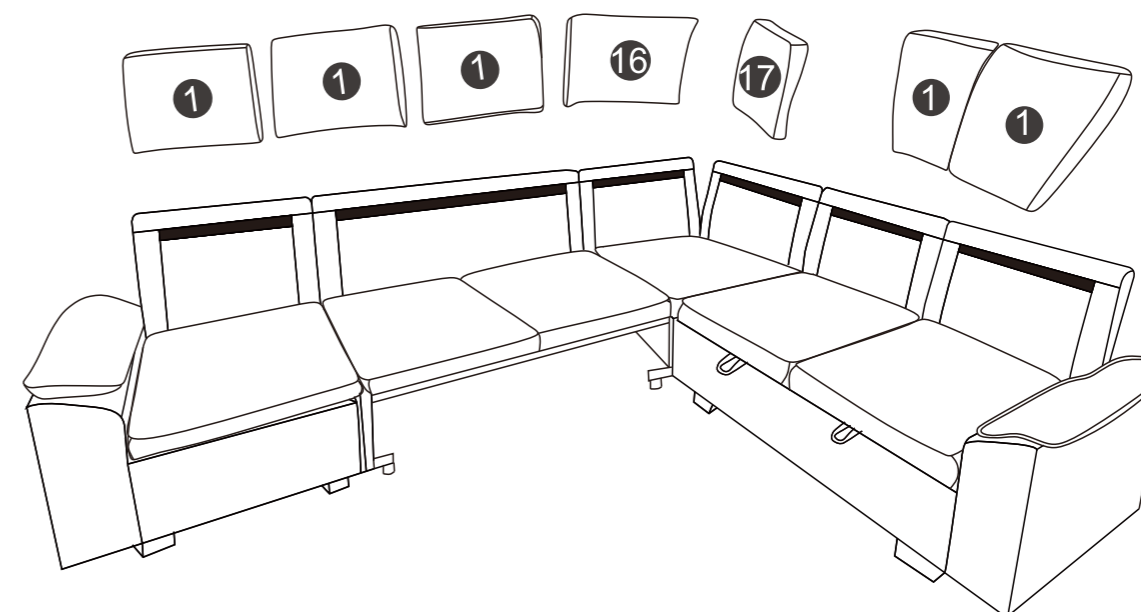
A	x8
	8x80
A1	x16
A2	x8

1. Connect the sofa bed (11) to the left single seat (4) and the corner unit (15) using screws A and washers A1. On the opposite side, secure using washers A1 and A2, then tighten securely.
2. Insert the hooks of Part (15) into the mounting brackets of Part (19).



As shown, place the cushions onto the frames in the following order:

- Left single seat cushion (3)
- Sofa bed seat cushion (7)
- Corner seat cushion (14)
- Right double seat cushions (7)

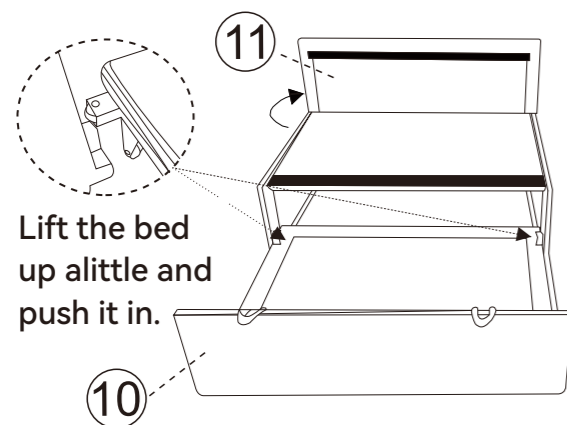


Then place the back cushions onto the backrest frames in the following order:

- Left single back cushion (1)
- Sofa bed back cushion (1)
- Corner back cushions (16) (17)
- Right double back cushion (1)

Sofa bed instructions

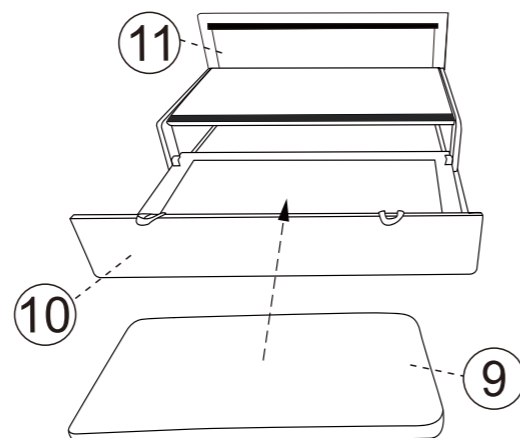
Step 1



Lift the bed up a little and push it in.

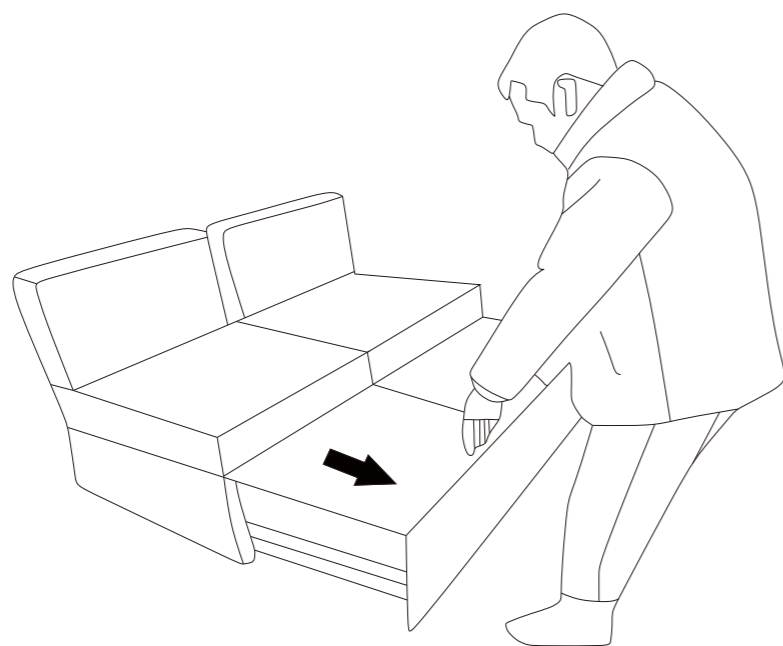
Slightly lift the sofa bed (10) and push it into Part (11) until the rollers on both sides slide into the locking position.

Step 2



Place the sofa bed cushion (9) into Part (10).

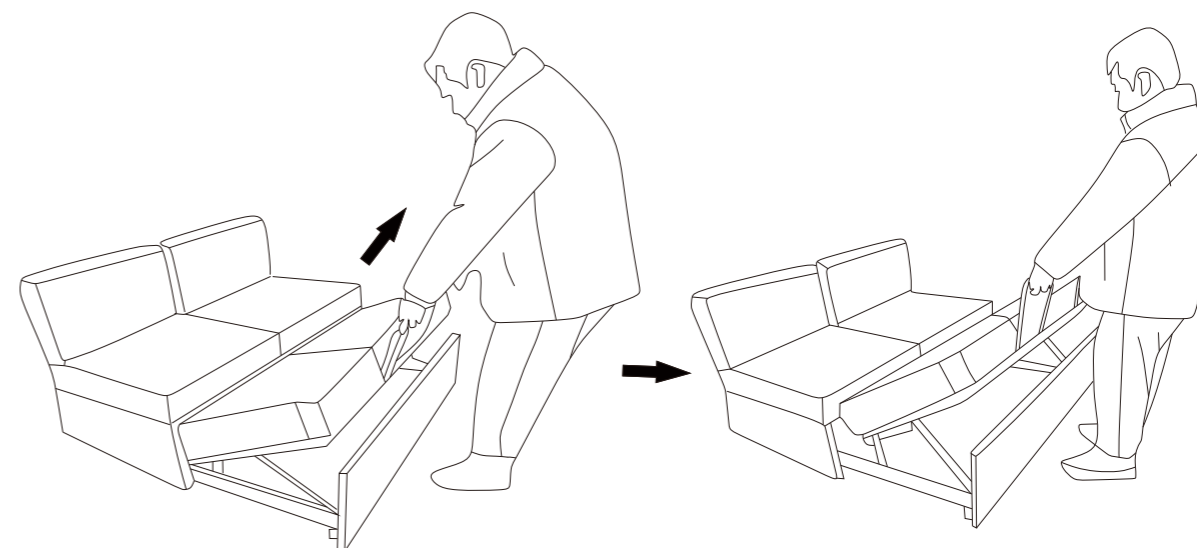
Step 3



Pull out the sofa bed horizontally with both hands.

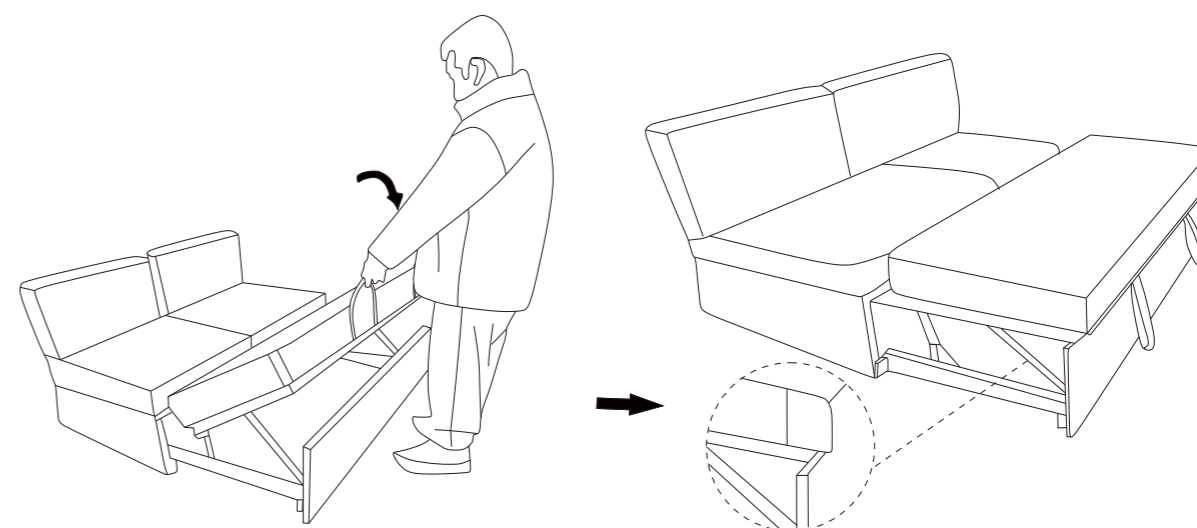
Sofa bed instructions

Step 4



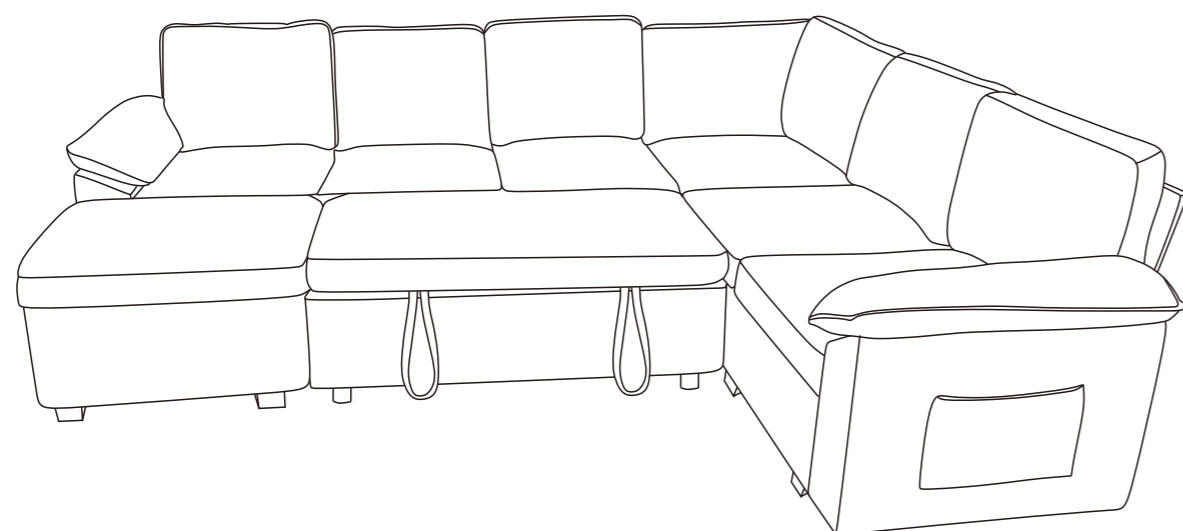
Pull the sofa bed frame outward horizontally until it is fully extended.

Step 5



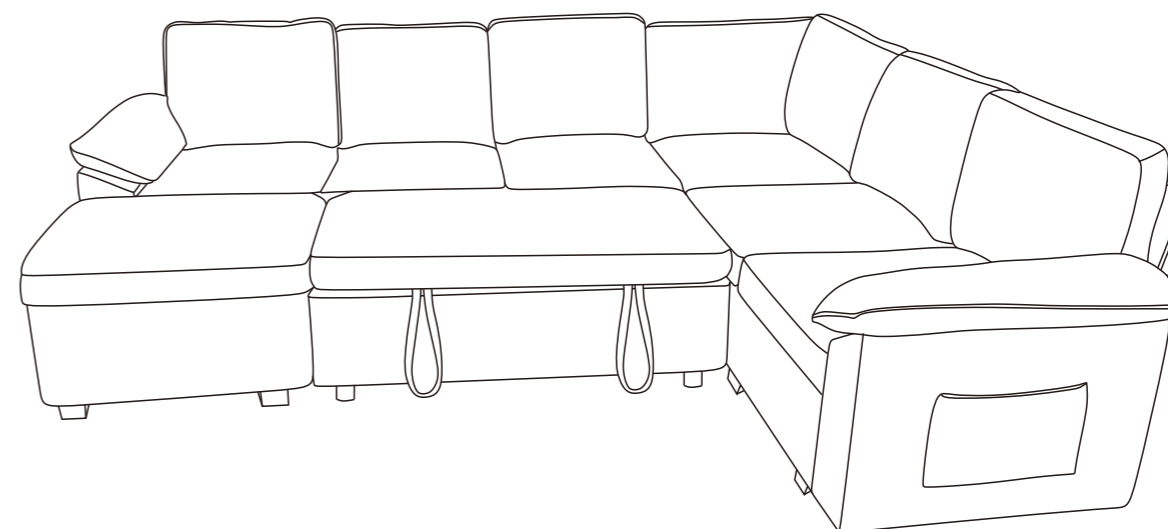
Press downward in the direction of the body until the seat frame rests on the wooden support strips at the front panel.

Combination Instructions



Assembly completed.

Maintenance



1. Avoid direct sunlight, preferably placed in a place that can avoid sunlight, or use translucent tulle curtains to block the sun.
2. Vacuum at least once a week, paying particular attention to removing dust accumulation between fabric structures.
3. Sofa cushions are turned over once a week to evenly distribute wear.
4. If stained, use a clean cloth dipped in water to wipe. In order to avoid leaving marks, it is best to wipe from the periphery of the stain. Velvet furniture should not be dipped in water and should use a dry cleaning agent.
5. All cloth covers and bushings should be dry-cleaned, not washed, not bleached.
6. If you find loose thread, do not tear it with your hand; it is best to cut the thread neatly with scissors.