
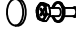
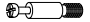
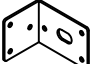







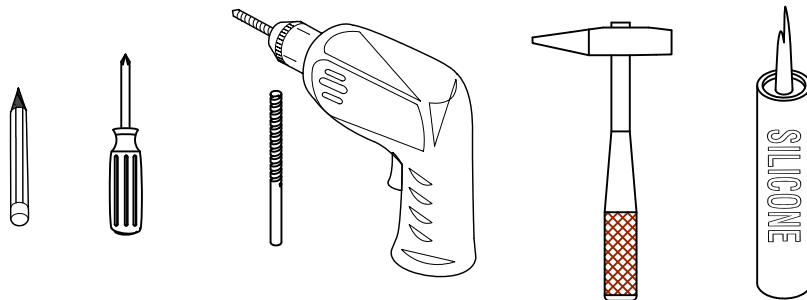


# Item NO.:BV B06424

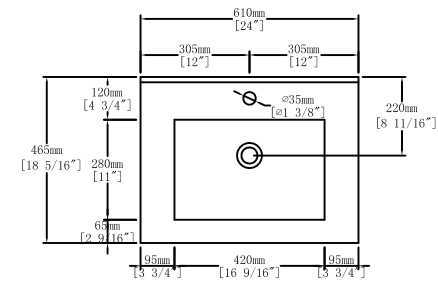
## Hardware

NO.	Draw	QTY	NO.	Draw	QTY
A	 Screws Ø4x14mm	32	F	 Screws for fix on the wall	4
B	 Two-in-one connector	30	G	 Bracket (53x70x44mm)	2
C	 Two-in-one connector	30	H	 Bracket (19x19x35mm)	2
D	 Wood plug	7	I	 Hinges (Internal hiding)	2
E	 Plastic anchor(Ø10mm)	4	J	 Anti-collision gasket	1
			K	 Screwdriver	1

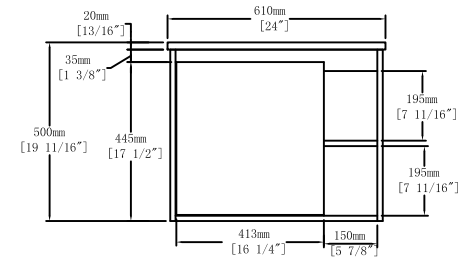
## Recommended tools



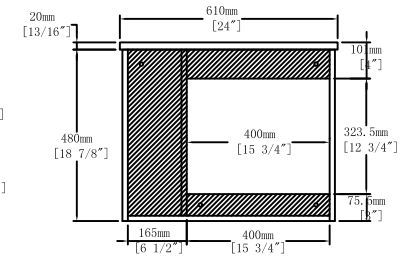
## Dimensions



Top View



Front View

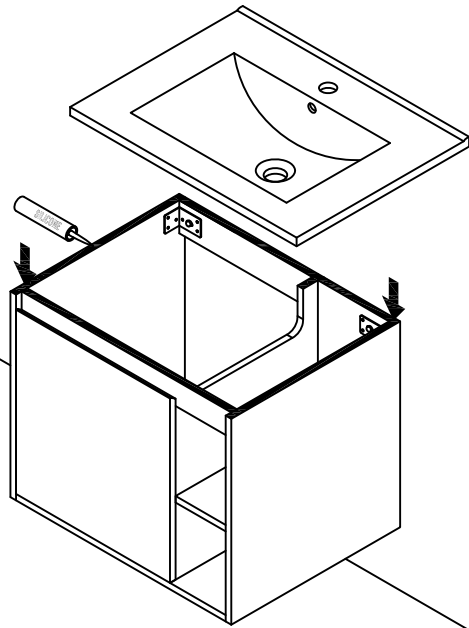


Back View

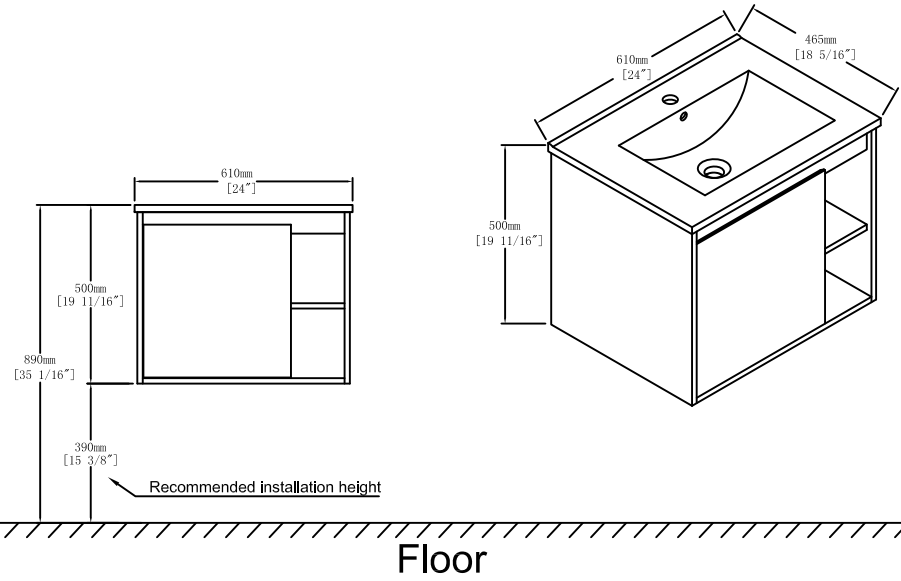
## CARE CLEANING AND MAINTENANCE

1. Dust regularly with a soft , dry cloth.
2. Avoid the use of all chemicals household cleaners, abrasives, or cleaners that contain lemon, vinegar, or other acids that may damage the finish.
3. Excessive exposure to sunlight and extreme changes in temperature and moisture can damage wood furniture.
4. The sink top is resilient, but care needs to be taken to preserve its appearance.
5. Do not place hot appliances, such as curling irons and hot hair dryers directly on the countertop. Wipe spills immediately.

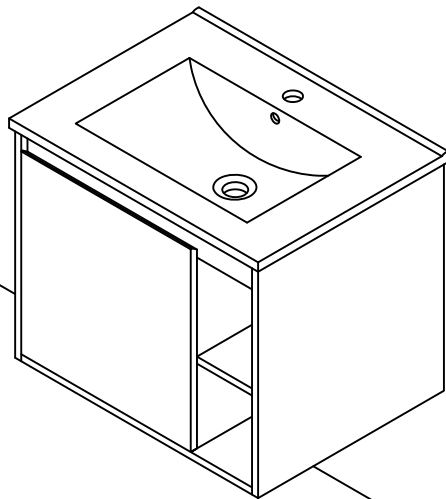
### Step 14



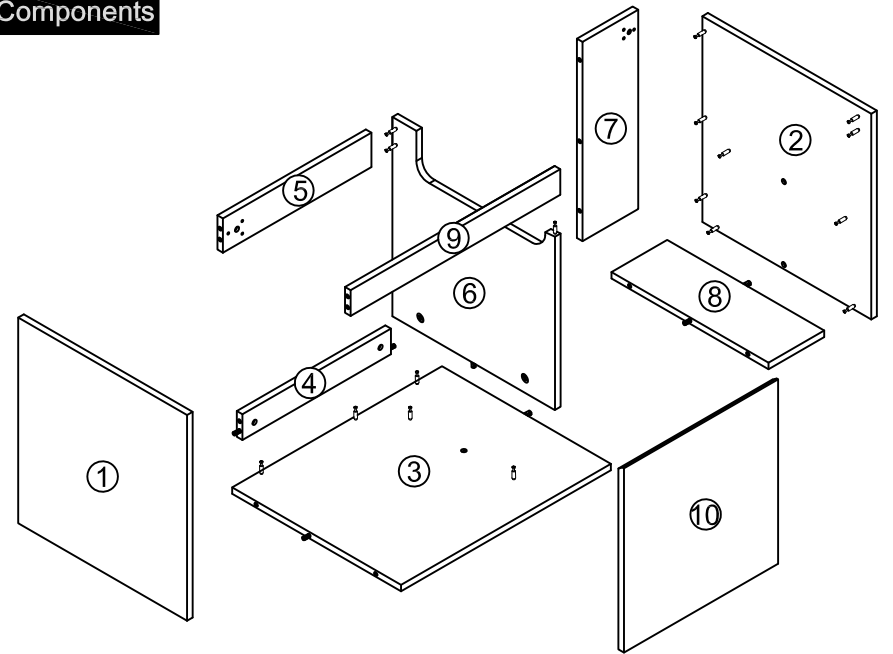
### Dimensions



### Finished



### Components



### Step 1

Attention: Cam lock arrow point to the steel rod.

Notes: Screw installation depth as shown

- B x3
- C x3
- K x1

### Step 2

Note: The D parts are used for this hole

first step    second step    third step

- B x3
- C x3
- D x1
- K x1

### Step 12

- E x4
- Tool

### Step 13

- F x4
- Tool

### Step 9

You can adjust the doors by tightening or loosening the screws on the hinge. →

- I x2
- A (Ø4 x 14mm) x12
- J x2
- Tool

### Step 3

Note: The D parts are used for this hole

- B x5
- C x5
- D x1
- K x1

### Step 10

Tool

### Step 11

Tool

Ø10

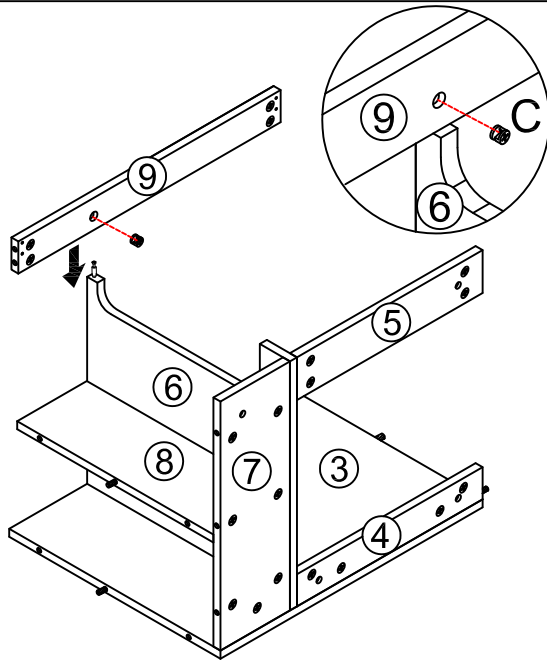
### Step 4

Note: The D parts are used for this hole

Note: The D parts are used for this hole

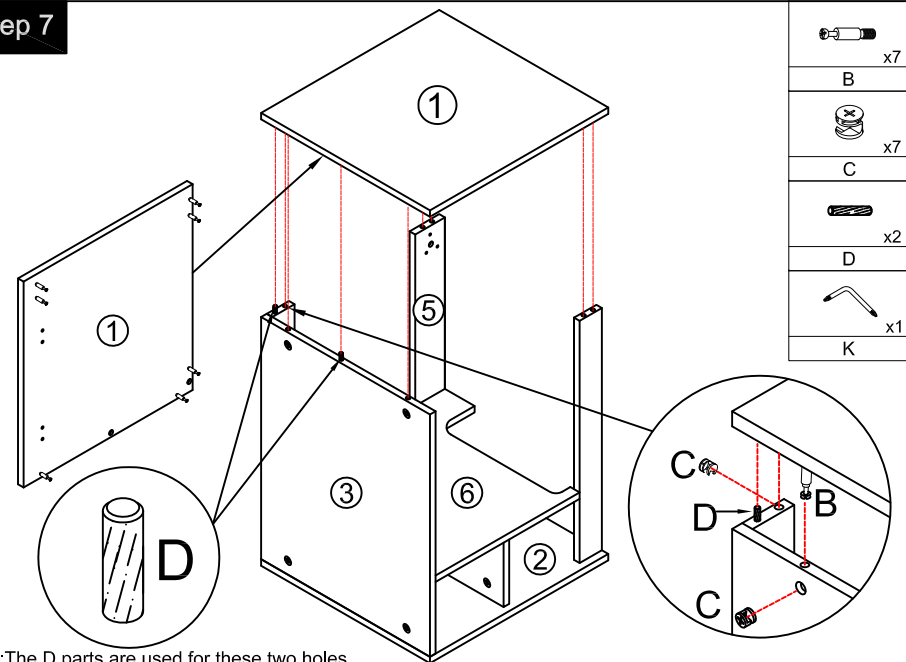
- B x2
- C x2
- D x1
- K x1

### Step 5



	x1
B	
	x1
C	
	x1
K	

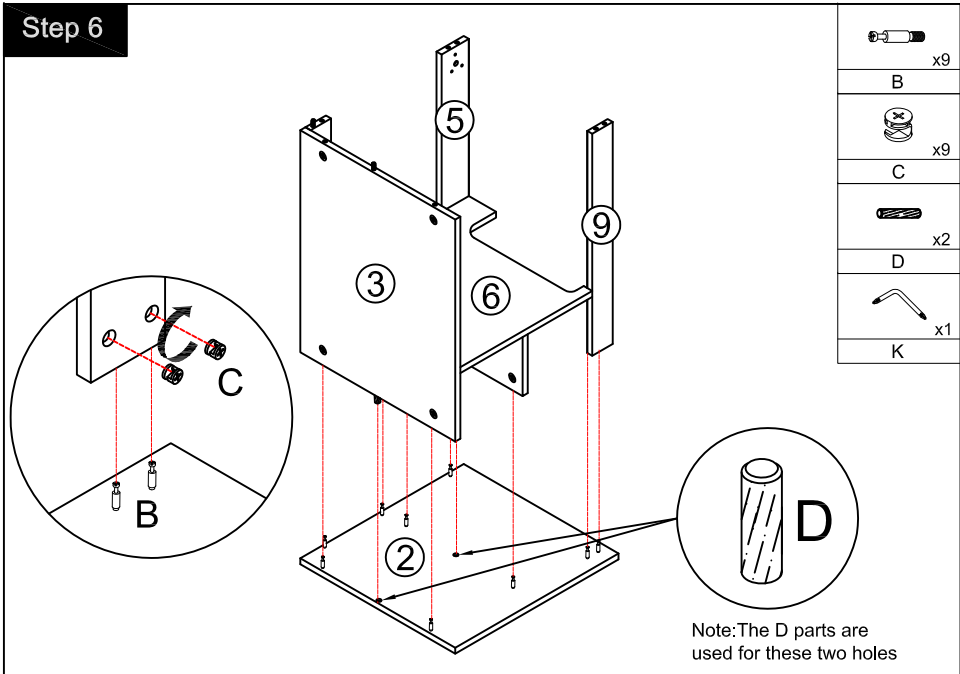
### Step 7



	x7
B	
	x7
C	
	x2
D	
	x1
K	

Note: The D parts are used for these two holes

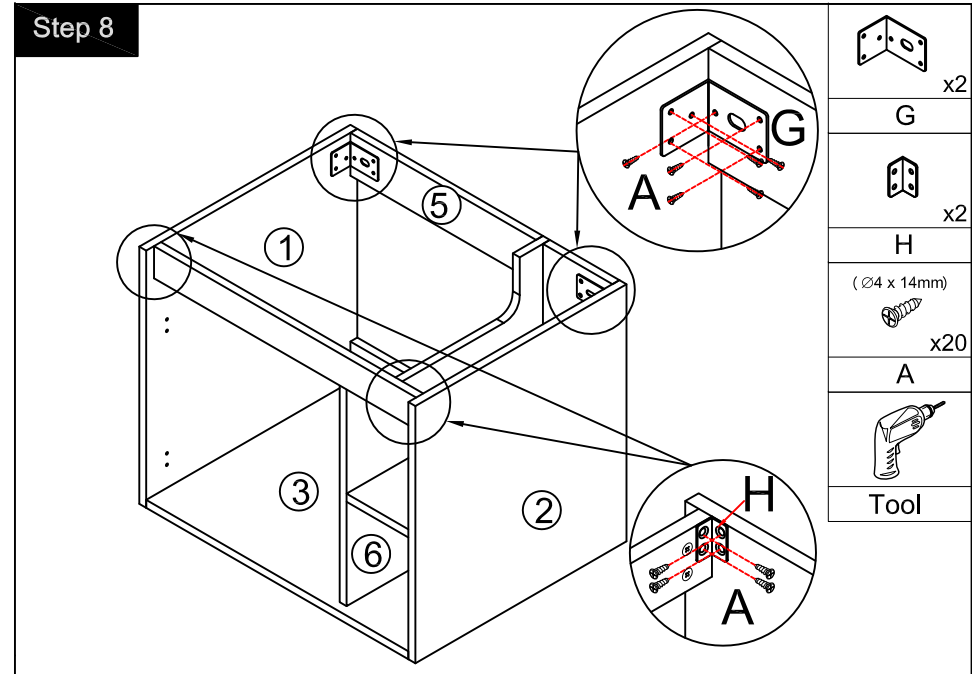
### Step 6



	x9
B	
	x9
C	
	x2
D	
	x1
K	

Note: The D parts are used for these two holes

### Step 8



	x2
G	
	x2
H	
( $\varnothing 4 \times 14\text{mm}$ )	
	x20
A	
Tool	