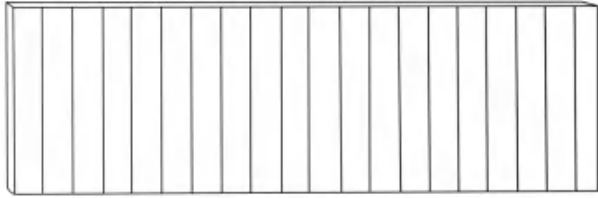
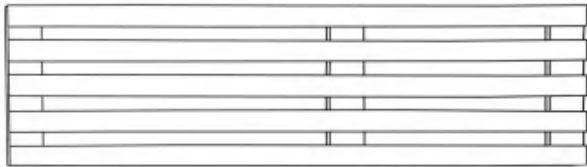


Part List



A Bench panel×1



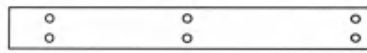
B Long shelf×1



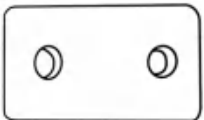
C Short shelf×1



D Leg1×2



E Leg2×4



F Screw nut×6



G Wrench×1

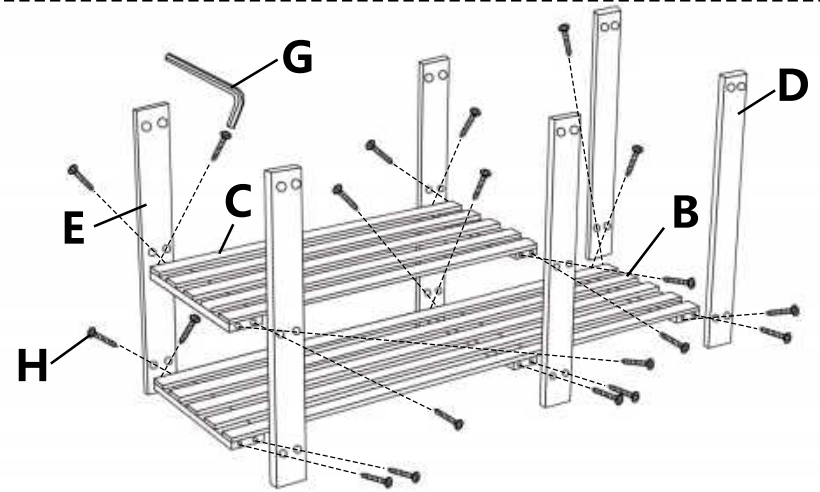


H M 4×35
Screw×20

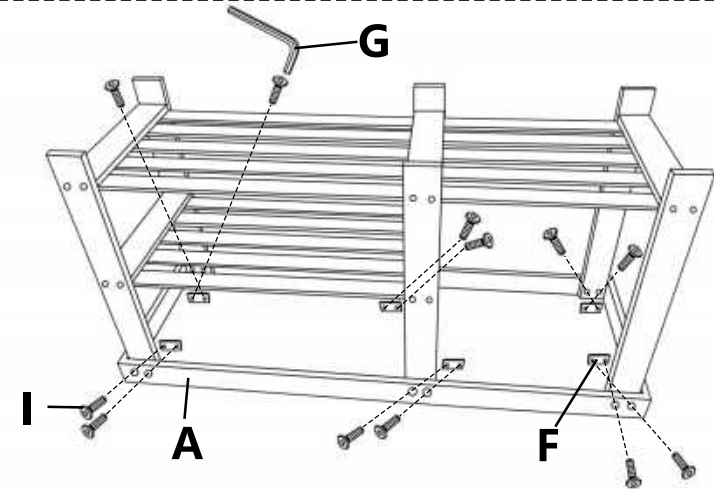


I M 6×25
Screw×12

1.



2.



3.

