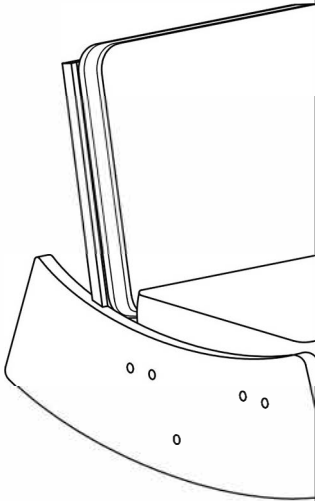


Owner Manual



WARRANTY

We strive to offer high quality product and we also try our best to satisfy each customer that order from us, no matter on products or services as needed. Each customer receives a record of their order, such as the order number or item receipt. For any items that are out of warranty period, you may still be able to purchase the replacement parts from our company if they are available.



MAINTENANCE AND WARNING

Please read the manual thoroughly
before you start installing.

Please keep the product away from
sharp object.

Packaging and small parts may have
chocking hazard, please keep them away
from children and pets.

Please clean the product according to each
clean code, check the product description
for more information.

Please keep the product away from
fire.

If you have any other questions, please
contact us, we will be glad to help you out.

If the product is placed under direct
sunlight, the pattern or color might fade
away overtime.

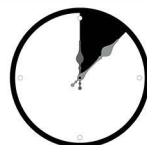
Check the product periodically to make
sure everything is secured and tightened.

Always use proper tools for installation.

Do not jump on the product.



One people



Around 25 min

PRODUCT DESCRIPTION

Modern minimalist lounge chair. Features clean, flowing lines. The harmonious blend of a wooden frame and fabric upholstery presents a clean and cozy visual appeal.

Solid wood frame, one-piece solid wood frame. Constructed with a sturdy one-piece solid wood frame for stable structure, high load-bearing capacity, and long-lasting durability.

A versatile piece that fits various home styles. Its simple, neutral design allows it to blend easily into living rooms, studies, bedrooms, or balconies, serving as a comfortable focal point that elevates the style.

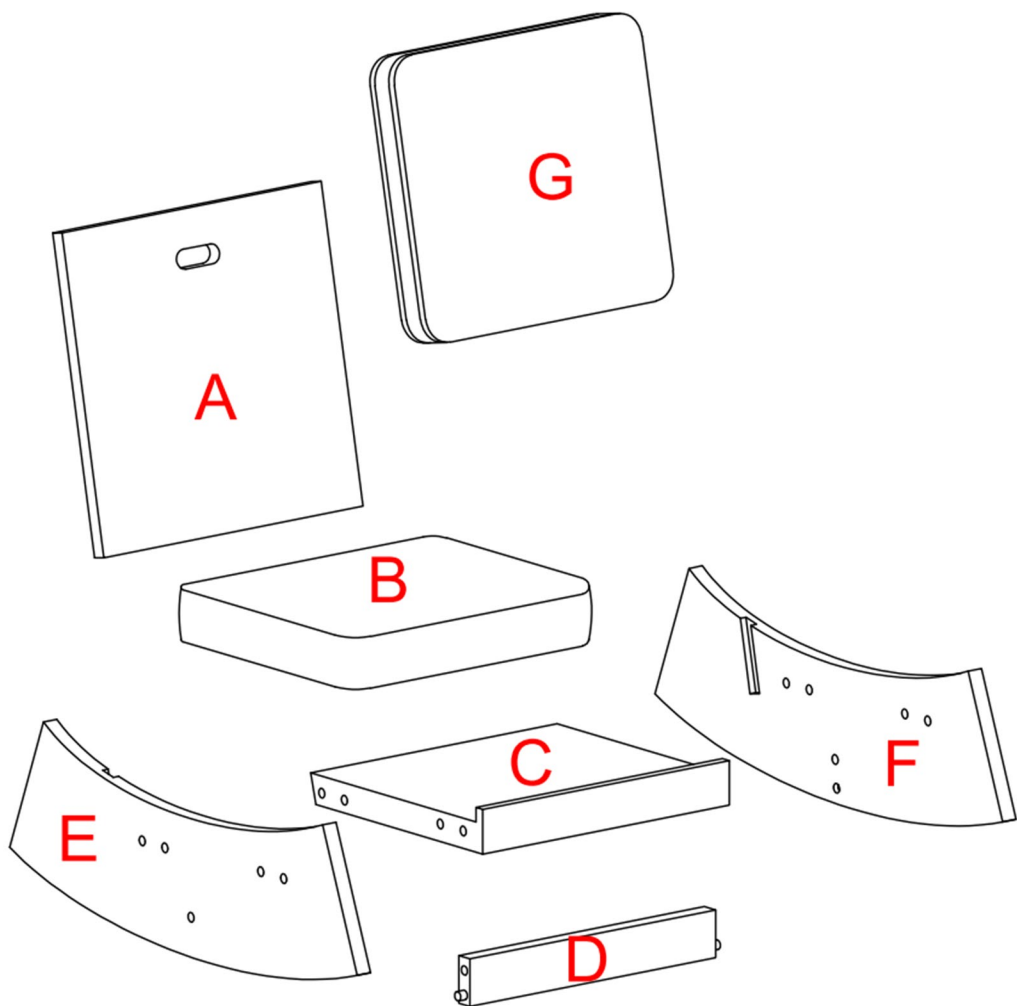
Chenille fabric. Exceptionally soft, fluffy, and warm to the touch with a fine, plush surface. It offers excellent skin-friendliness and warmth, significantly enhancing the product's coziness and comfort, and infusing a soft, relaxing ambiance into the home.

Ergonomic backrest curvature. The backrest is designed to follow the body's natural curves, providing even back support, promoting a relaxed posture, and reducing fatigue from prolonged sitting.

EXPLODED VIEW

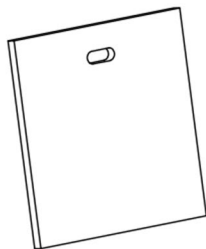


The product's left and right are determined by sitting posture



PARTS

A*1



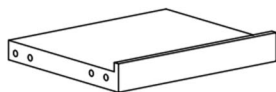
Backrest

B*1



Seat cushion

C*1



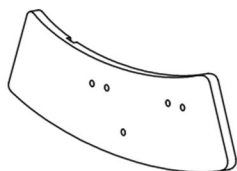
Seat Frame

D*1



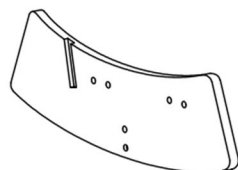
Front panel

E*1



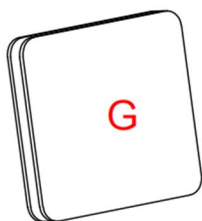
Right arm

F*1



Left arm

G*1



Back cushion

HARDWARE

TOOL LIST

NOTE: Designated with (★) We provide additional spare parts in the hardware package

①*2



M6*30mm
Bolt

②*8



M6*50mm
★ Bolt

③*1



Allen key

④*12



★ Hole cover

⑤*1



Bolt&Nut

⑥*1




Spanner

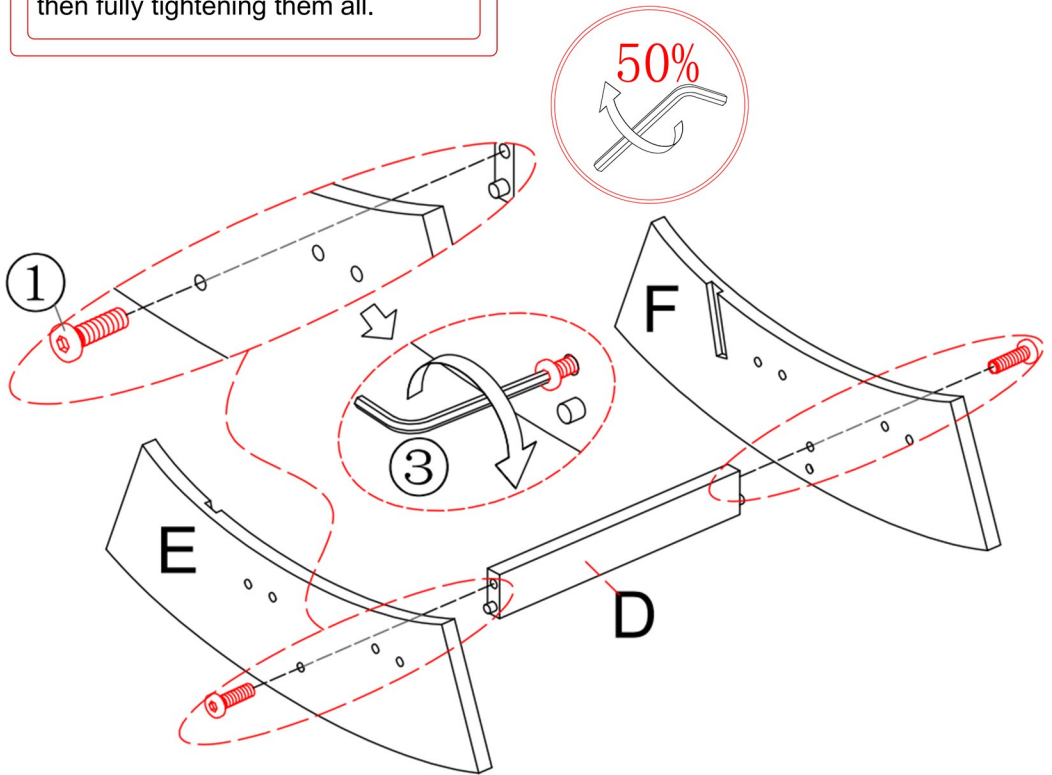
Please make sure all hardware & packing material fitting the list. Especially some small accessories may be missing during transportation. Please contact us if you have any question.

step 1 ---Install the arm

Use the bolt (1) to attach them, use the allen key (3) tighten the bolts (1) for **30-50%** first, tighten it all bolt at step 5.



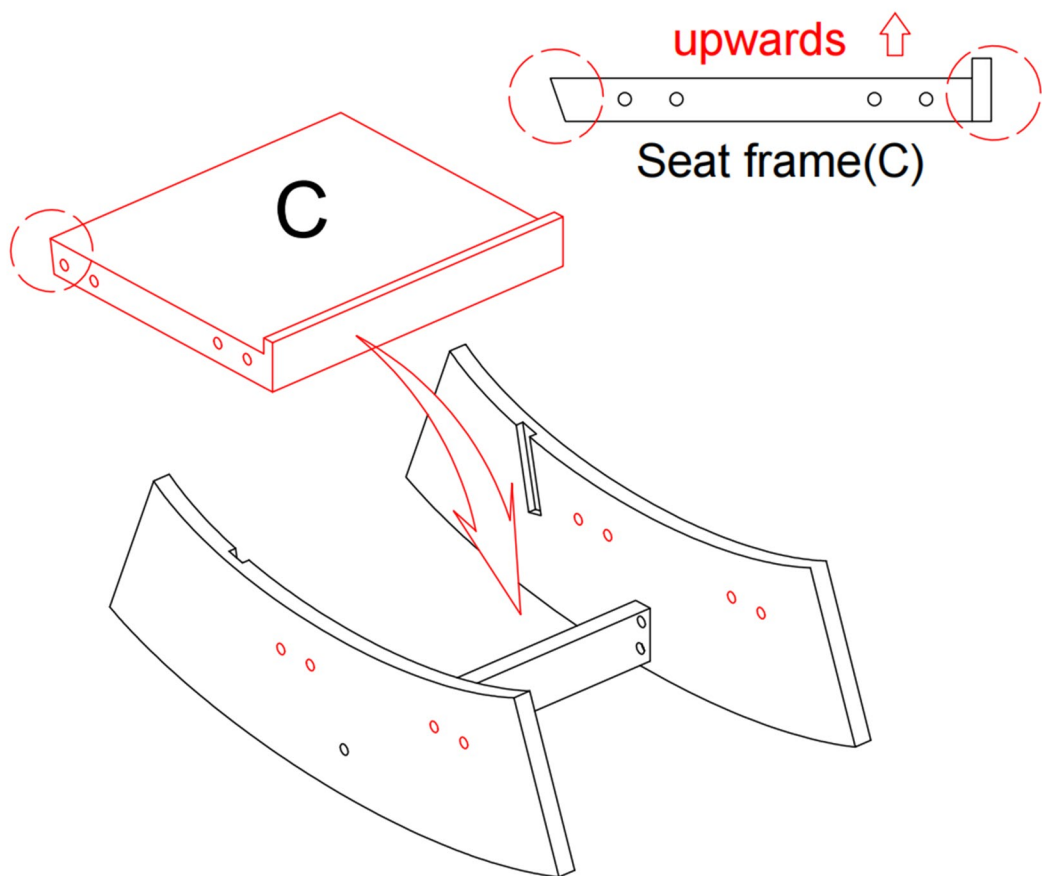
Notice:
We suggest tightening the bolts for 30-50% first, make sure the process is correct and bolt holes are aligned, then fully tightening them all.



step 2 ---Install the seat frame (C)

Place the seat frame (C) on it ,make sure the hole aligned.

Pay special attention to the orientation of the Seat frame (C).



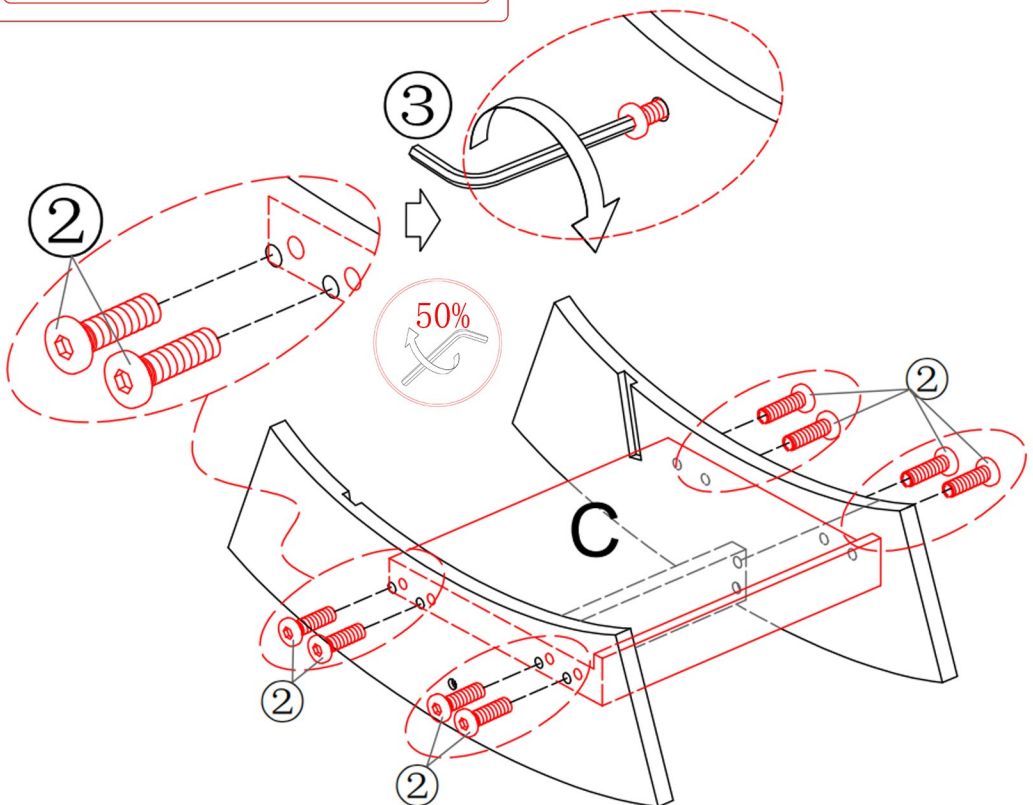
step 3 ---Install the seat frame (C)

Use the bolt (2) to attach them, use the allen key (3) tighten the bolts (2) for 30-50% first, tighten it all bolt at step 5.



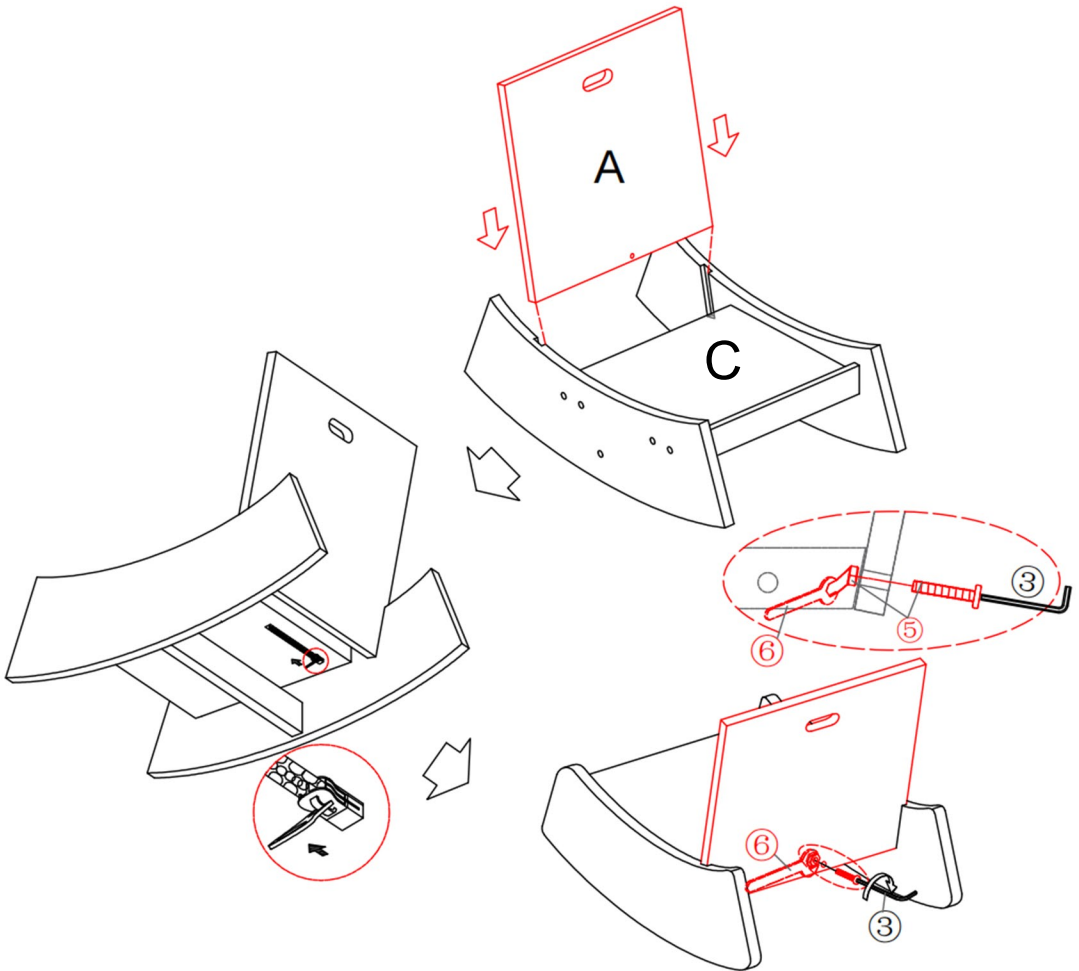
Notice:

We suggest tightening the bolts for 30-50% first, make sure the process is correct and bolt holes are aligned, then fully tightening them all.



step 4 ---Install the backrest (A)

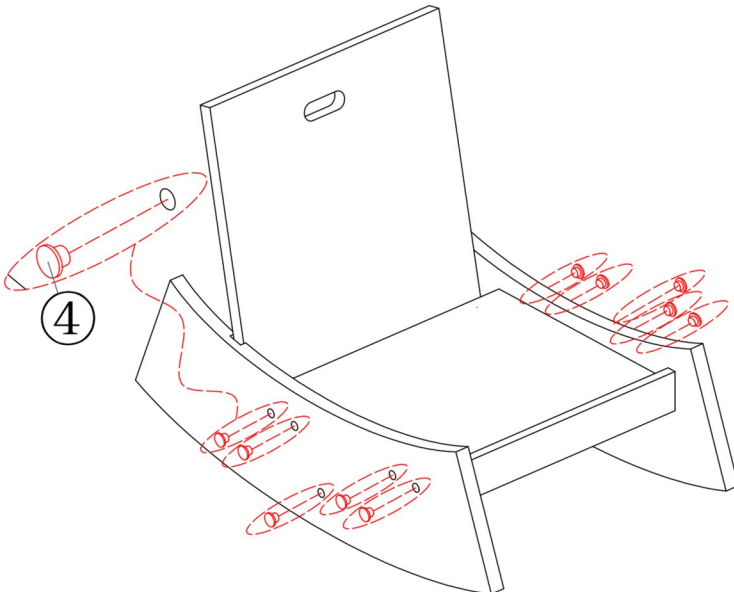
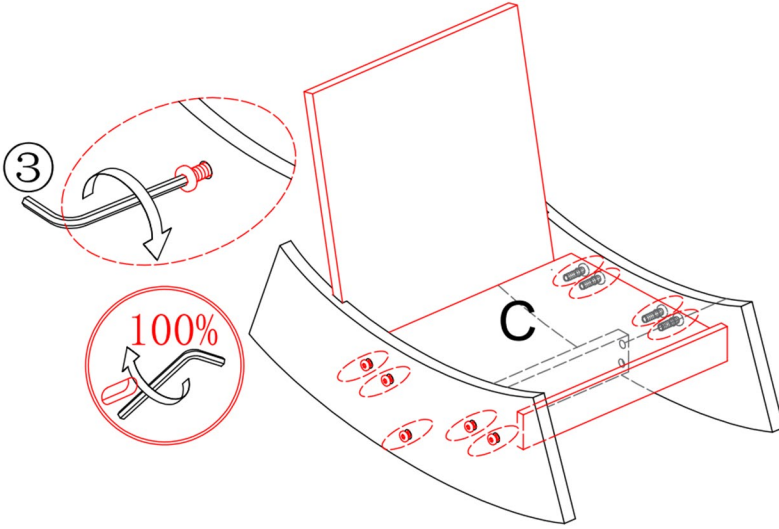
- 1.Insert the backrest (A) into it as shown.
- 2.Unzip the zipper at the bottom of the seat (C) .
- 3.Then use bolt (5) and nut (5) to attach backrest (A) to seat frame (C),Tighten it with Allen key (3) and spanner (6).



step 5 ---Install the Cover hole (4)

Tighten all bolt.

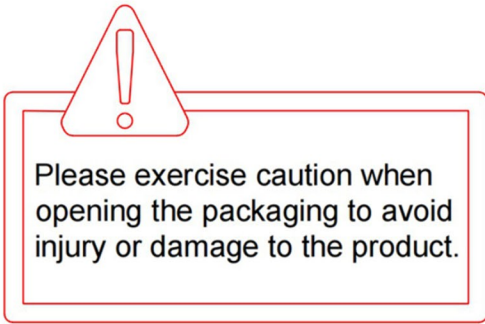
Insert the Cover hole(4) into it as shown.



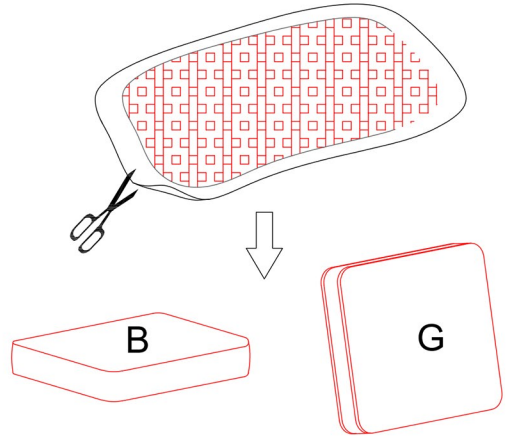
step 6 ---Place the Seat cushion & Back cushion

1. Cut the plastic air compression bags, and take out the cushion (B&G). Let it recover to its original shape, the whole recovery process might take **48** hours, you may gently slap on it to speed up the process.

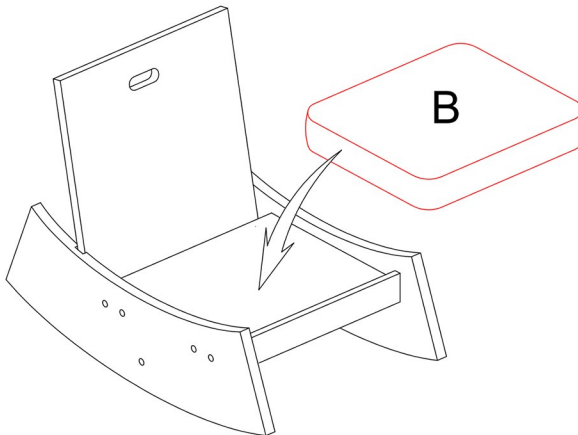
2. Place the Seat cushion on it.



1.



2.



step 7 ---Install the Back cushion (G)

Insert the back cushion into the backrest.

