

## WARM TIP

For your protection and safety, carefully read and understand the information provided in this manual completely before attempting to assemble, install or operate this product. Failure to do so could lead to electrical shock, fire or other injuries that could be hazardous or even fatal. Please read the instruction carefully and keep it as you may need it in the future.

## SAFETY INFORMATION

### WARNING

We suggest installation by a licensed electrician.

NEVER attempt any work without shutting off the electricity.

Place the main power switch in the "OFF" position and unscrew the fuse(s), or switch "OFF" the circuit breaker switch(es), that control the power to the fixture or room you are working in.

Place the wall switch in the "OFF" position. If the fixture to be replaced has a switch or pull chain, place it in the "OFF" position.

Do not use bulbs with wattage greater than specified on this fixture.

If a dimmer control switch is used with this fixture, obtain professional advice to determine the correct type to use as well as the electrical rating required.

If you have any doubts about how to install this lighting fixture, or if the fixture fails to operate completely, please contact a licensed electrician.

## PREPARATION

Estimated assembly time: 30 minutes to 1 hour

Tools Required for Assembly (not included): Phillips screwdriver, flat.head screwdriver, wire strippers, electrical tape, ladder, safety glasses.

Before beginning assembly of product, carefully take out the fixture and its accessories from the carton and make sure all parts and accessories are included.

## CARE AND MAINTENANCE

Always be certain that electric current is turned off before cleaning this item or replacing the bulbs.

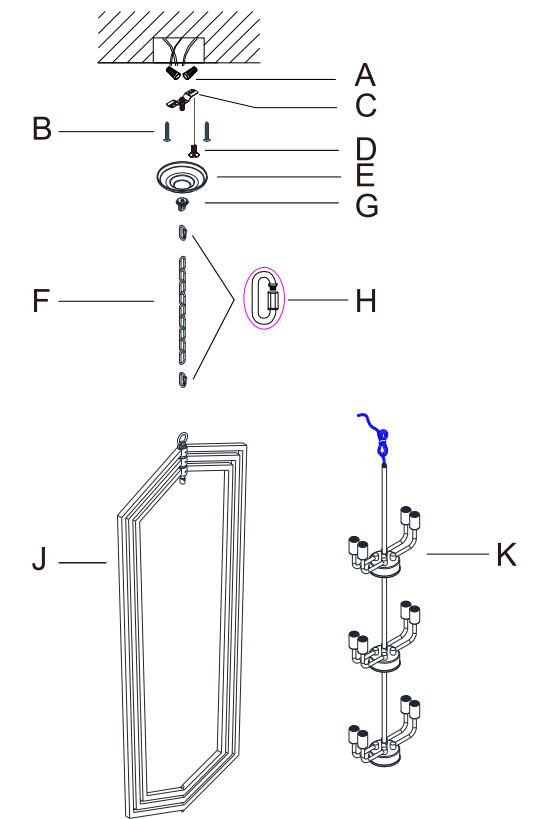
Use a soft, moist cloth with mild non-abrasive soap to clean fixture. Never use glass cleaner on fixture, as it will damage the metal finish.

## Item Number:

## PACKAGE CONTENTS

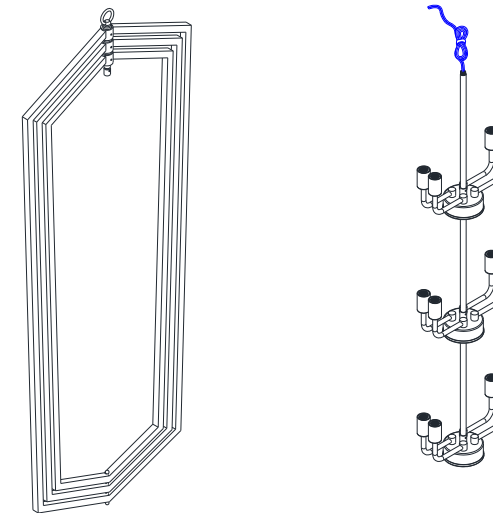
### PARTS TYPE & QTY INCLUDING:

- (A) Wire connector fixed(2)
- (B) Mounting screw(2)
- (C) gossip hanging board(1)
- (D) Green ground screw(1)
- (E) Canopy(1)
- (F) Iron chain sling (1)
- (G) American style ring(1)
- (H) Event buckle (2)
- (J) Hardware frame(1)
- (K) lighting assembly(1)

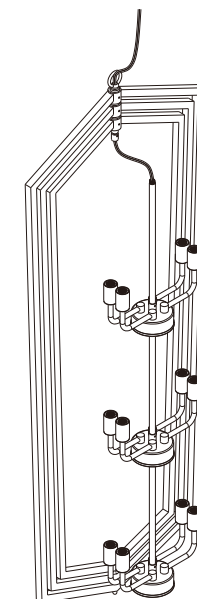


## ASSEMBLY & INSTALLATION INSTRUCTIONS OF CEILING LAMP:

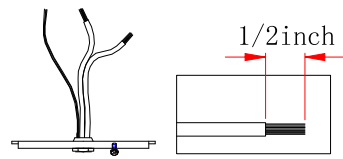
### A1



### A2

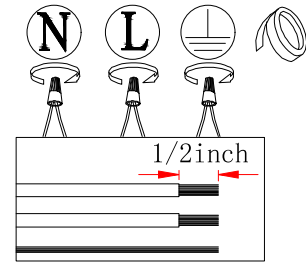


B1



Wire penetration outlet box,  
Peel off the outlet layer of  
the wire 1/2inch.

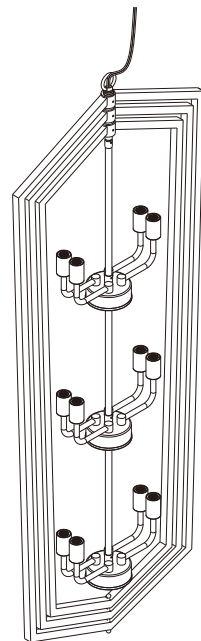
B2



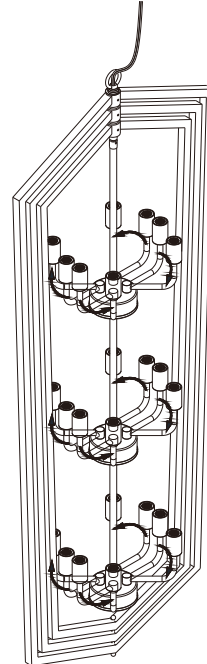
Connect the positive and negative  
poles to the main line and power  
line.(A)Wire connector fixed,  
Peripheral antielectric tape.

ASSEMBLY & INSTALLATION INSTRUCTIONS OF PENDANT LAMP:

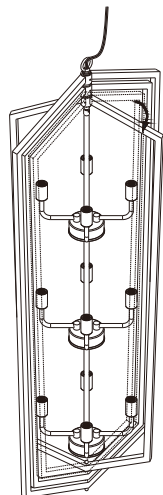
C1



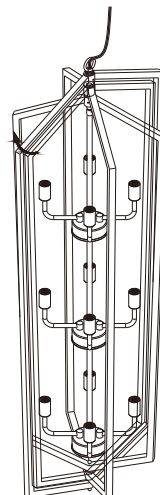
C2



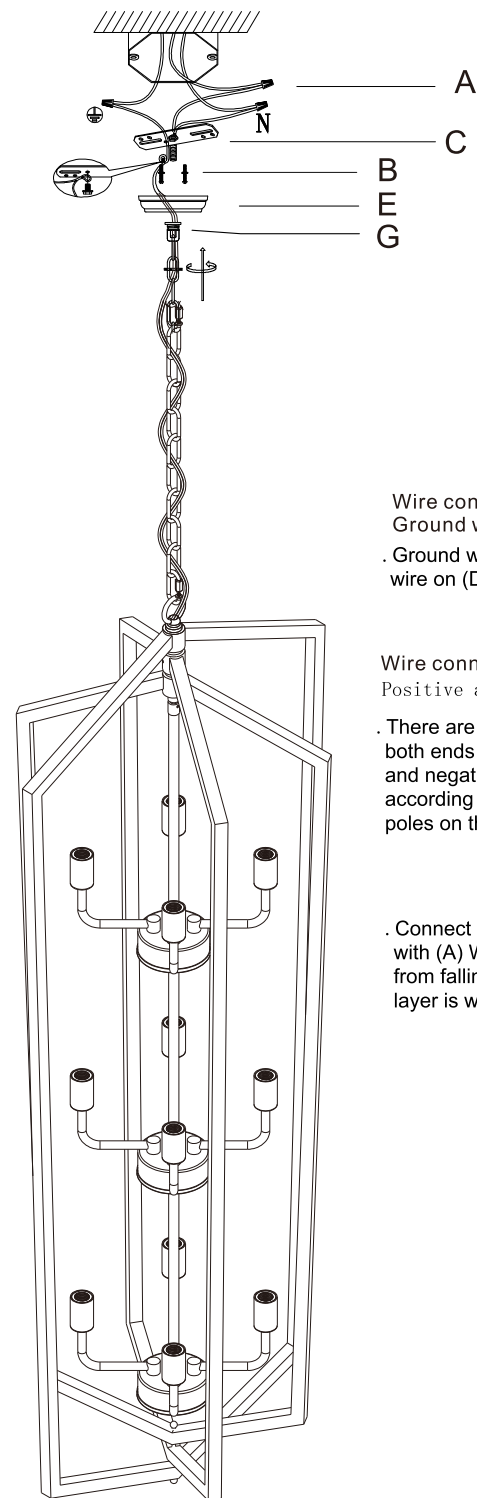
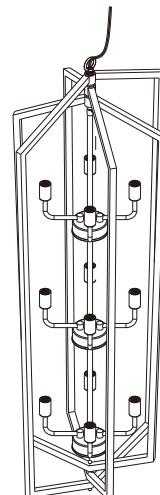
D1



D2



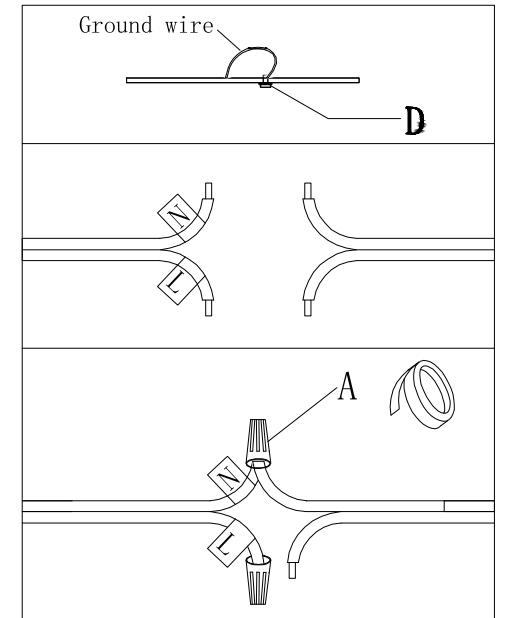
D3



Wire connection guide:  
Ground wire:  
Ground wire installation: wind the ground  
wire on (D)Green ground screw green.

Wire connection guide:  
Positive and negative wire connection:  
There are positive and negative labels on  
both ends of the wire. Connect the positive  
and negative poles of the power line  
according to the positive and negative  
poles on the label.

Connect the main line and fix it tightly  
with (A) Wire connector to prevent it  
from falling off and spreading.The outer  
layer is wrapped with anti electric tape.



**WARNING:** Before beginning work, shut off the power supply to avoid electrical shock.

PROBLEM	POSSIBLE CAUSE	CORRECTIVE ACTION
Light does not come on initially or no longer comes on.	1:Power is OFF. 2:Faulty connection. 3:LED component is not working properly.	1:Make sure power supply is ON. 2:Check wiring and all connections. 3:Contact Customer Service.
Fuse blows out or cicut breaker trips.	1:Crossed wires. 2:Power wire is ground- ing out.	1:Check wiring. 2:Check all connections.